



US00D541394S

(12) **United States Design Patent**
Toyohara

(10) **Patent No.:** **US D541,394 S**

(45) **Date of Patent:** **** Apr. 24, 2007**

(54) **SHOWER UNIT**

D519,621 S * 4/2006 Riva D23/304
D523,520 S * 6/2006 Theberge D23/213

(75) Inventor: **Atsushi Toyohara**, Kitakyushu (JP)

* cited by examiner

(73) Assignee: **Toto Ltd.**, Kitakyushu (JP)

Primary Examiner—Robert A. Delehanty

(**) Term: **14 Years**

(74) *Attorney, Agent, or Firm*—Birch, Stewart, Kolasch & Birch, LLP

(21) Appl. No.: **29/257,011**

(57) **CLAIM**

(22) Filed: **Mar. 29, 2006**

The ornamental design for a shower unit, as shown and described.

(51) **LOC (8) Cl.** **23-02**

(52) **U.S. Cl.** **D23/304**

(58) **Field of Classification Search** D23/223,
D23/228–229, 279, 286, 303–304; 4/552,
4/559, 567–569, 596–597, 601, 615, 900,
4/DIG. 15

See application file for complete search history.

DESCRIPTION

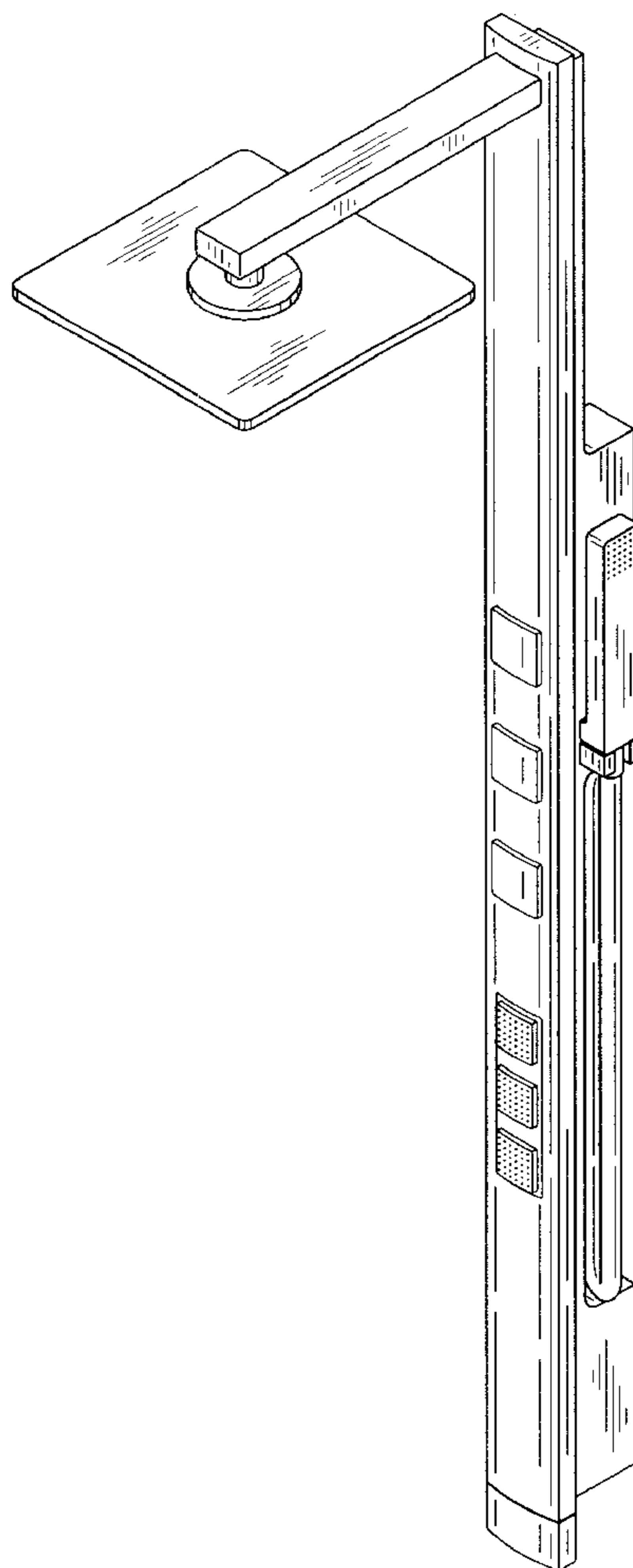
FIG. 1 is a perspective view of the top, front and right side of a shower unit showing my new design;
FIG. 2 is a front view thereof;
FIG. 3 is a right side view thereof;
FIG. 4 is a rear view thereof;
FIG. 5 is a left side view thereof;
FIG. 6 is a top plan view thereof; and,
FIG. 7 is a bottom view thereof.

(56) **References Cited**

U.S. PATENT DOCUMENTS

D495,778 S * 9/2004 Jorgensen et al. D23/213
D519,620 S * 4/2006 Haug et al. D23/304

1 Claim, 3 Drawing Sheets



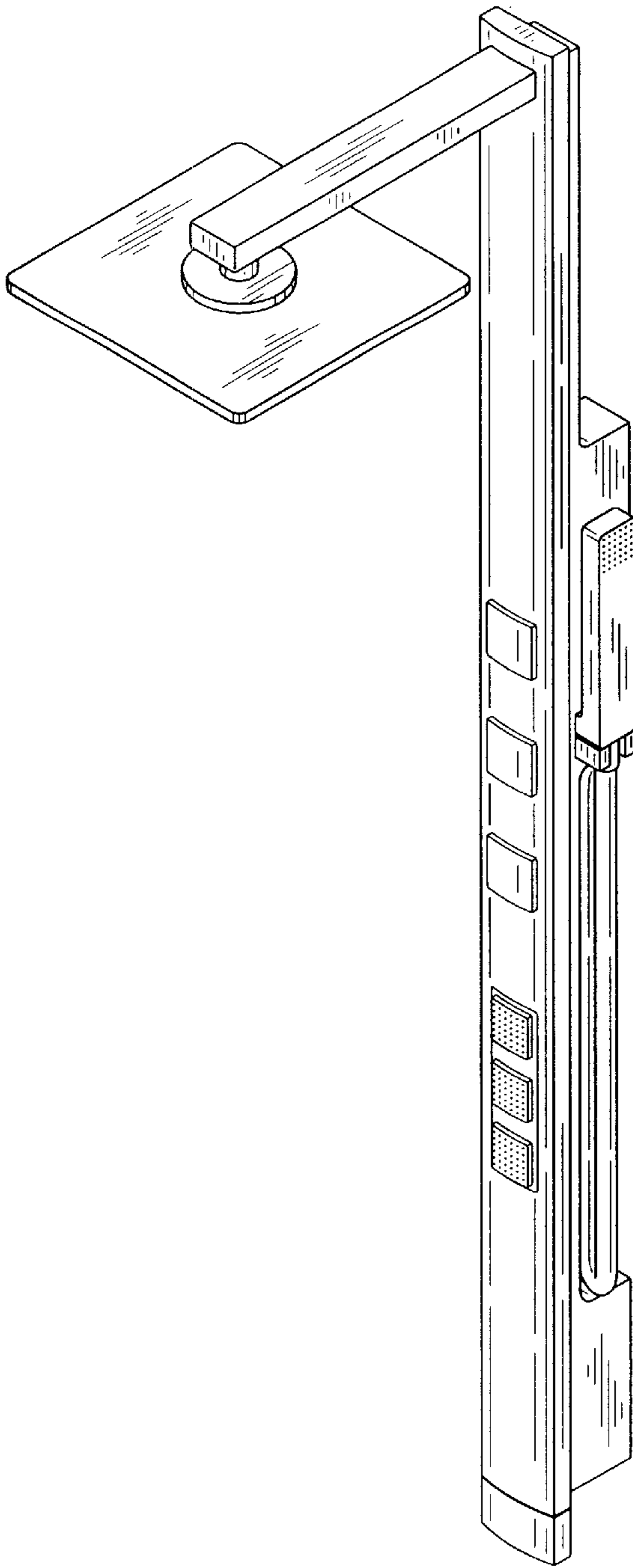


FIG. 1

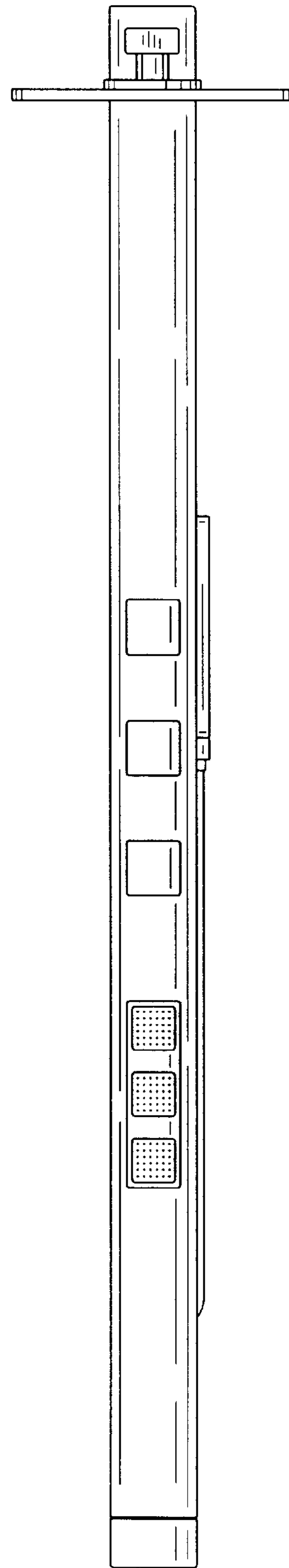


FIG. 2

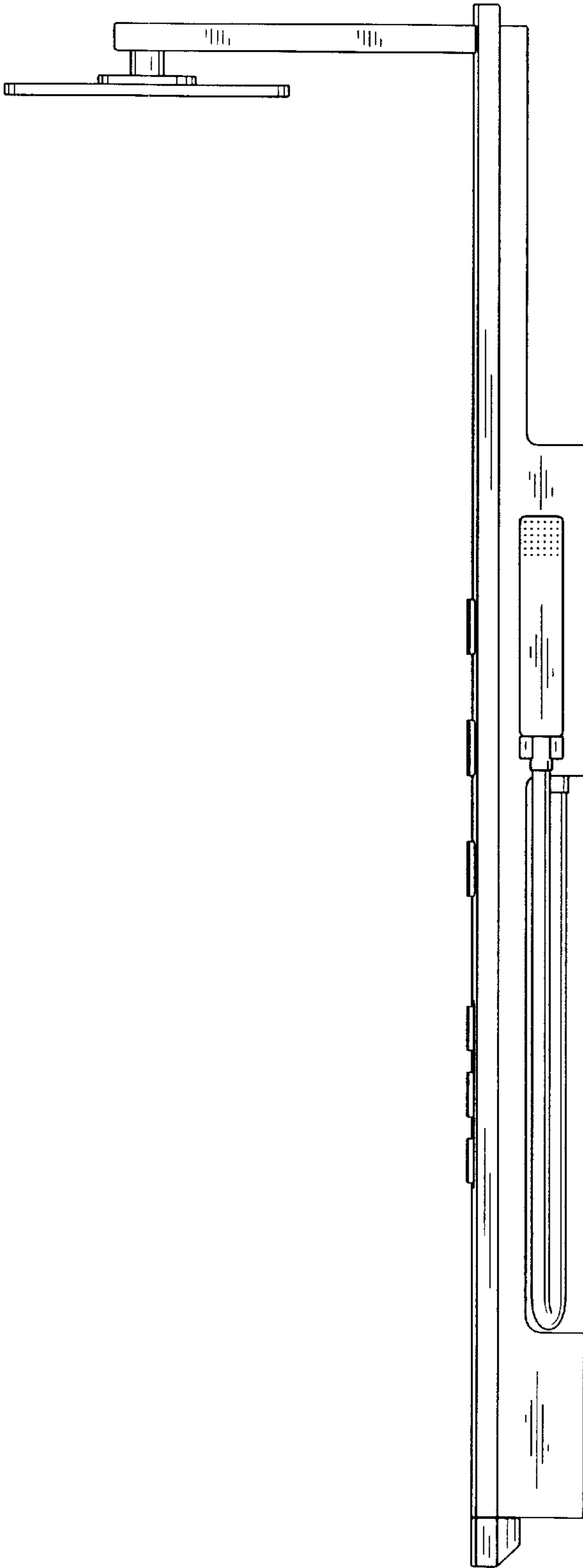


FIG. 3

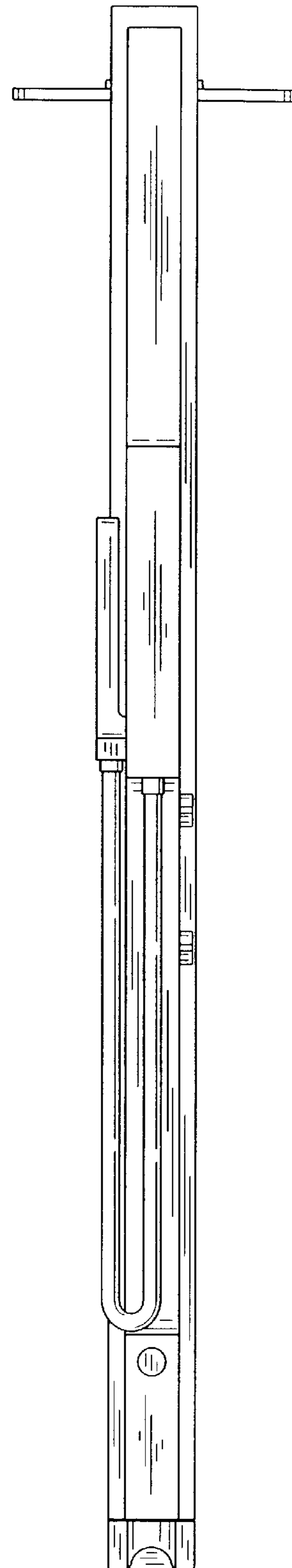


FIG. 4

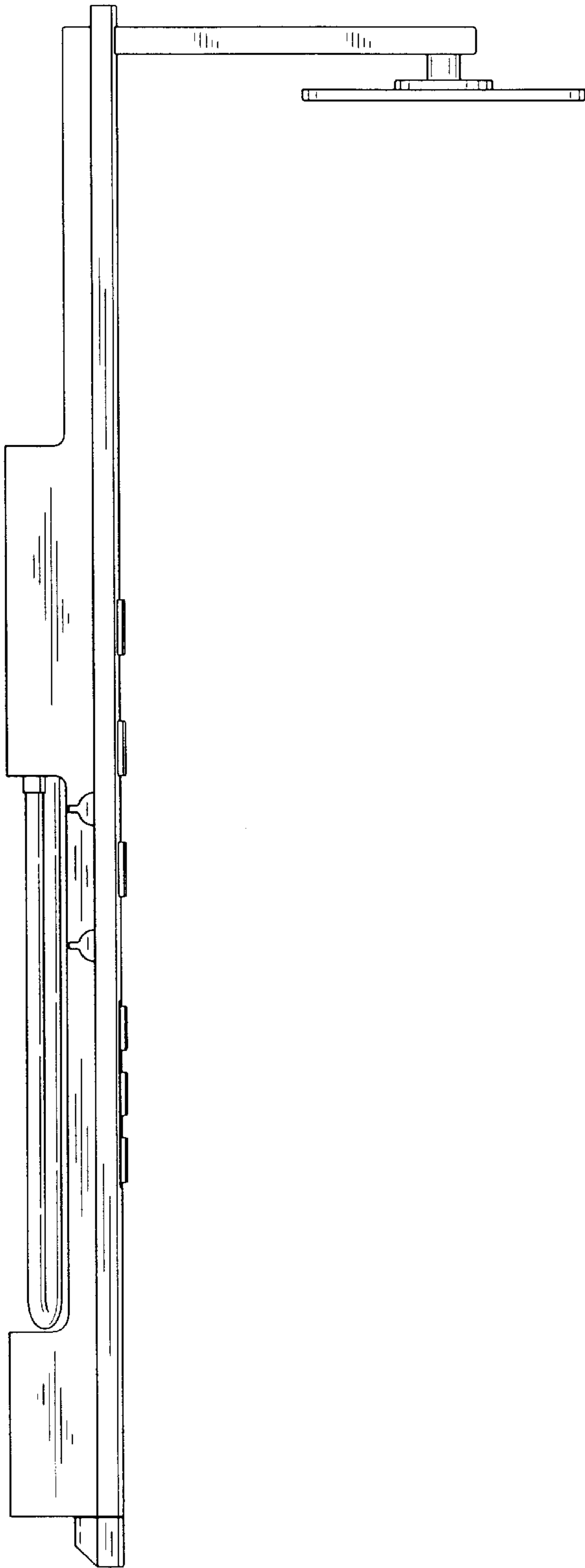


FIG. 5

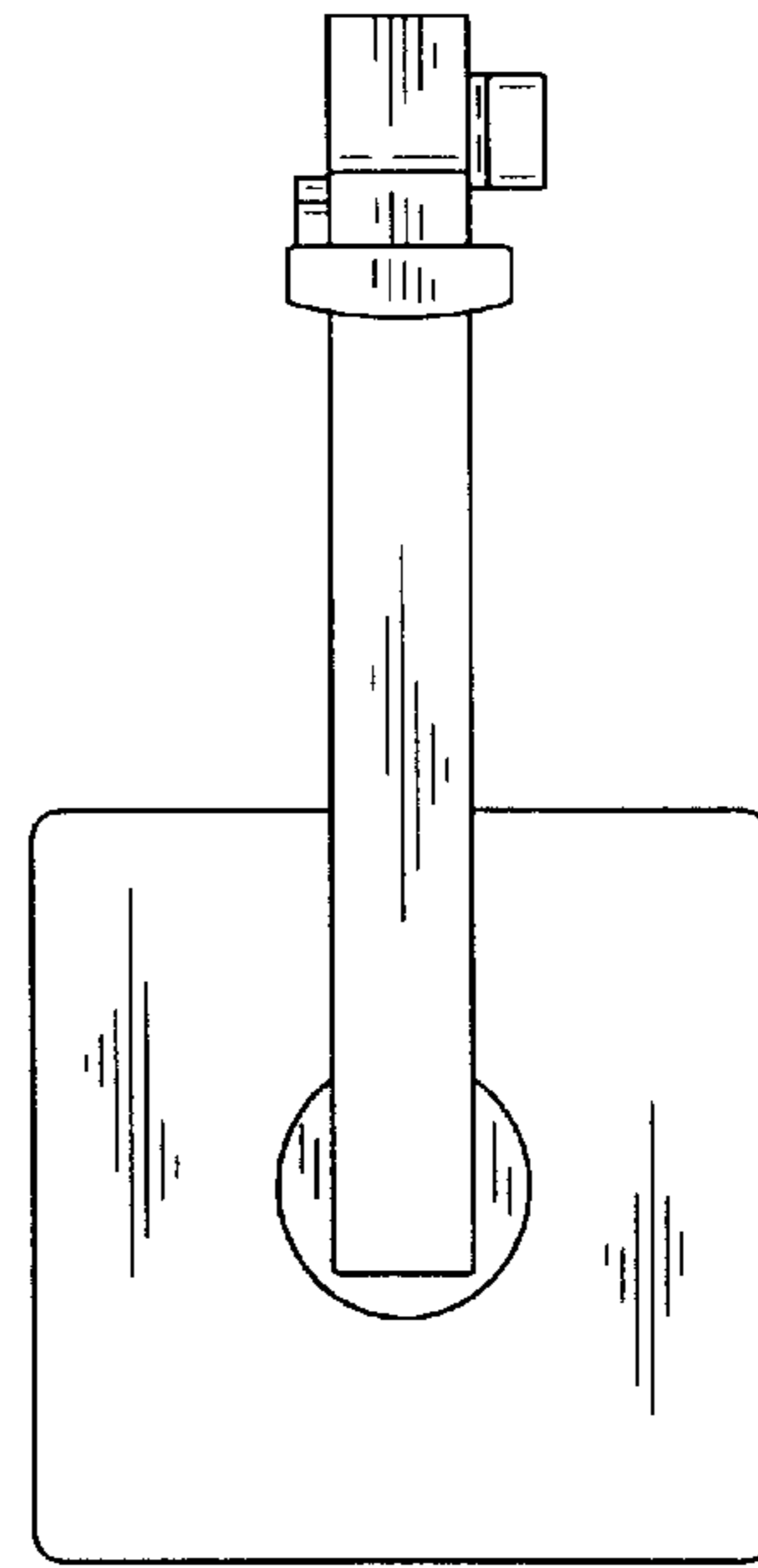


FIG. 6

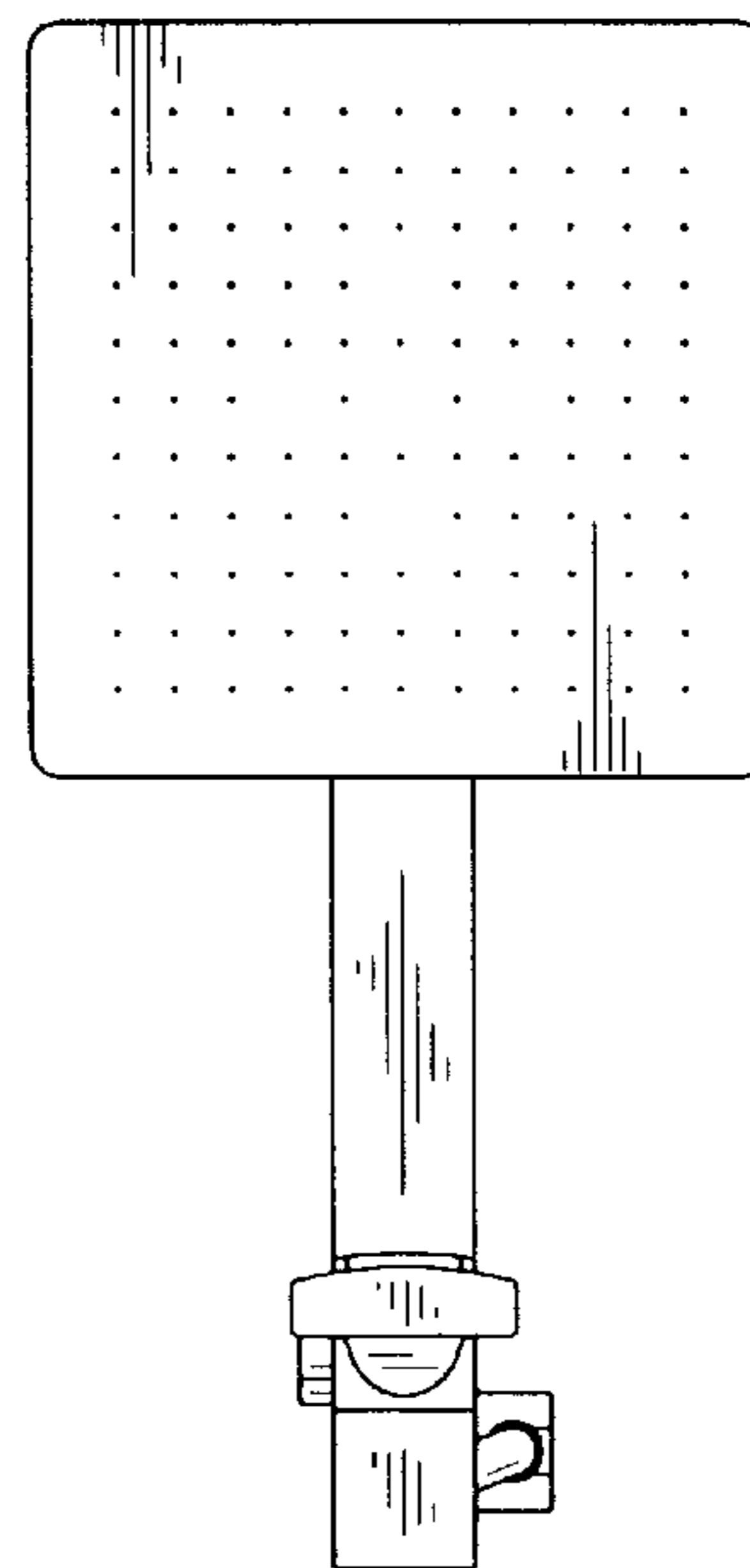


FIG. 7