

US00D541391S

(12) **United States Design Patent**
Sladick et al.

(10) **Patent No.:** **US D541,391 S**

(45) **Date of Patent:** **** Apr. 24, 2007**

(54) **GRAB BAR**

(75) Inventors: **Abbie J. W. Sladick**, Naples, FL (US);
Richard L. Rekar, Naples, FL (US)

(73) Assignee: **Great Grabz, LLC**, Naples, FL (US)

(**) Term: **14 Years**

(21) Appl. No.: **29/222,792**

(22) Filed: **Feb. 3, 2005**

(51) **LOC (8) Cl.** **23-02**

(52) **U.S. Cl.** **D23/303**

(58) **Field of Classification Search** D6/546-550,
D6/518-519, 522-524; D8/300, 303, 315-321;
108/28-29; 211/13.1, 16, 60.1, 86.01, 87.01,
211/88.01, 88.04, 100, 105.1-105.2, 123,
211/181.1, 182; 248/175, 176.1, 251, 302;
16/110.1, 412, 415; 242/570, 590, 595-598
See application file for complete search history.

(56) **References Cited**

U.S. PATENT DOCUMENTS

D379,218 S * 5/1997 Neufeld et al. D23/303

D454,742 S * 3/2002 Meck et al. D6/549
D463,935 S * 10/2002 Zhao D6/549
D477,952 S * 8/2003 Gilbert D6/549
D478,448 S * 8/2003 Hoernig D6/549
D479,931 S * 9/2003 Gilbert D6/549
D492,530 S * 7/2004 Chen D6/549

* cited by examiner

Primary Examiner—Brian N Vinson

(74) *Attorney, Agent, or Firm*—Cohen & Grigsby, P.C.

(57) **CLAIM**

The ornamental design for a grab bar, as shown and described.

DESCRIPTION

FIG. 1 is a perspective view of a grab bar showing our new design.

FIG. 2 is a right side elevational view thereof;

FIG. 3 is a left side elevational view thereof;

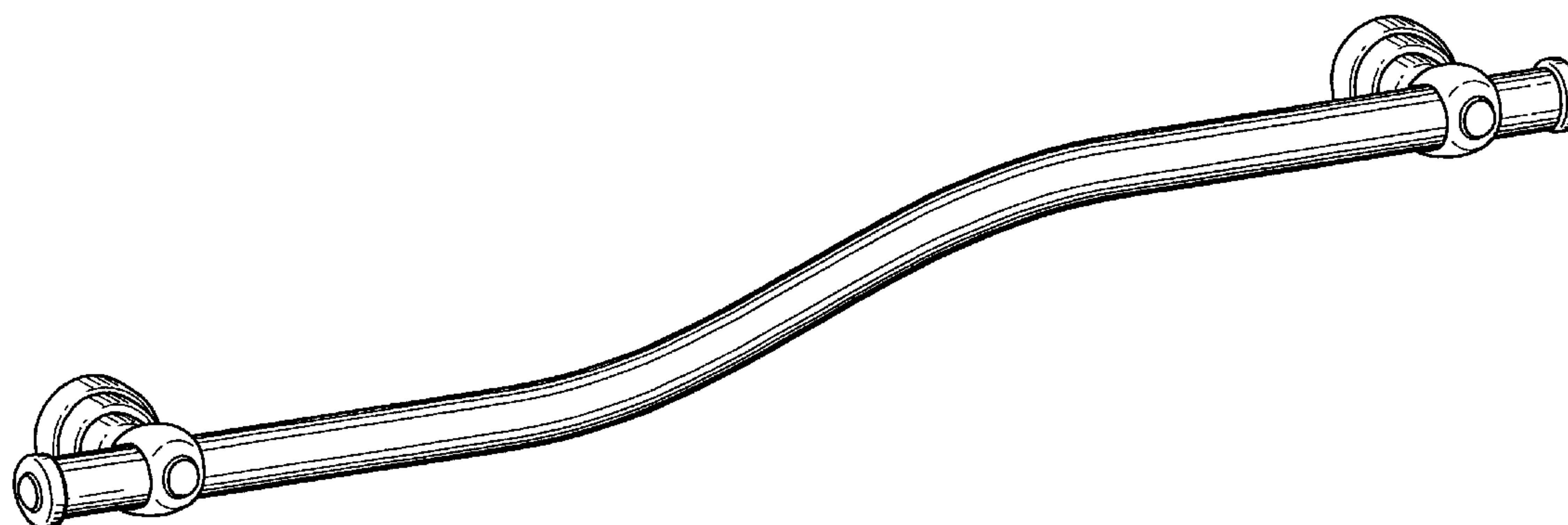
FIG. 4 is a front elevational view thereof;

FIG. 5 is a rear elevational view thereof;

FIG. 6 is a top plan view thereof; and,

FIG. 7 is a bottom plan view thereof.

1 Claim, 4 Drawing Sheets



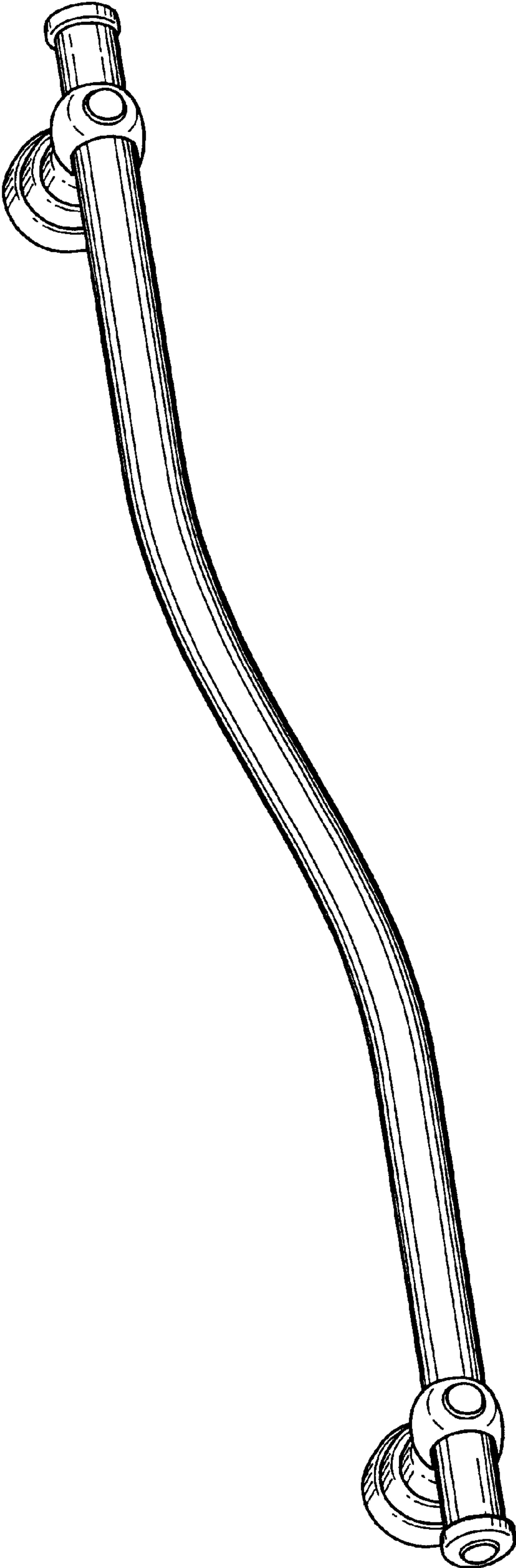


FIG. 1

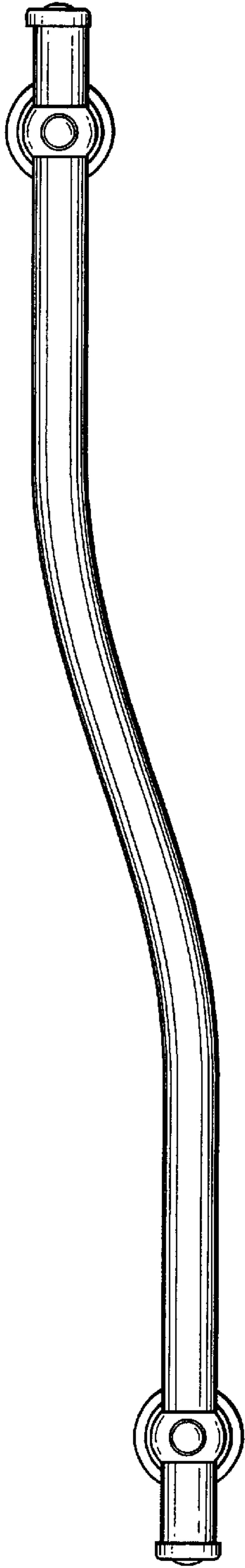


FIG. 2

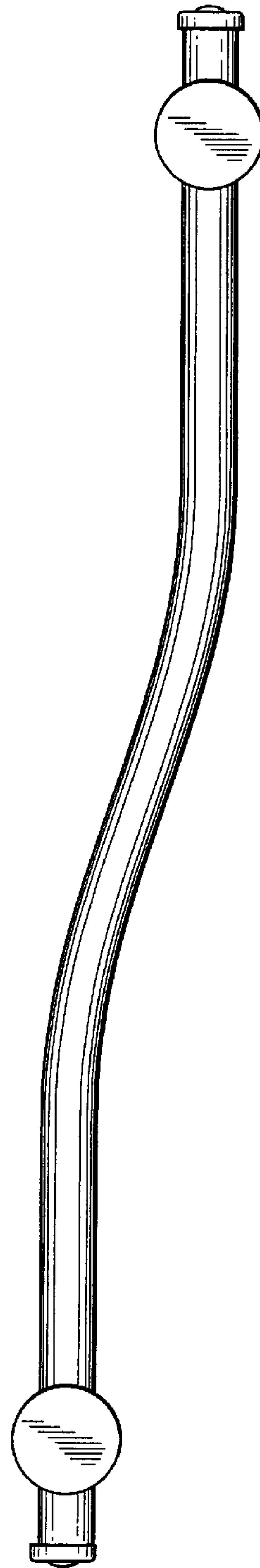


FIG. 3

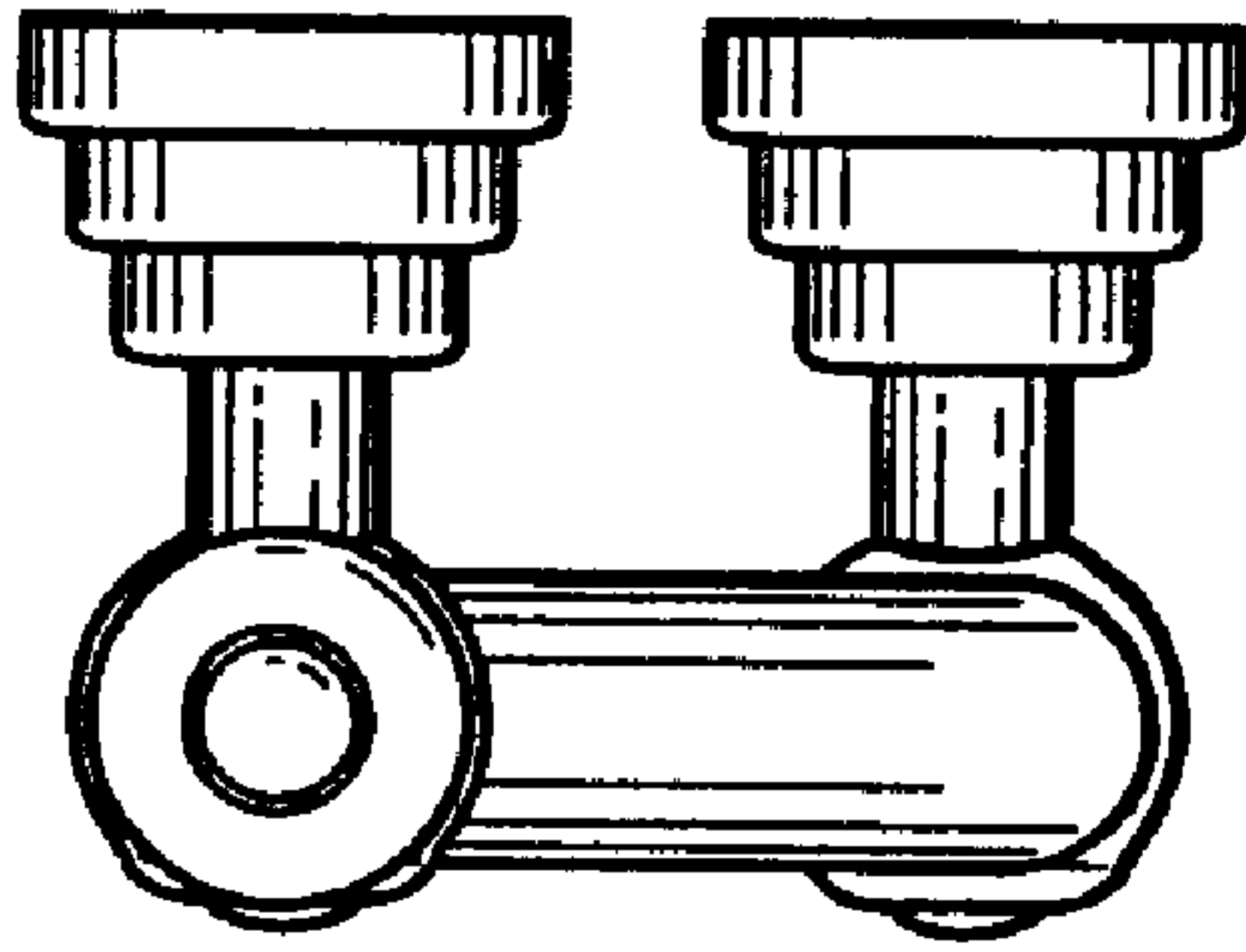


FIG. 5

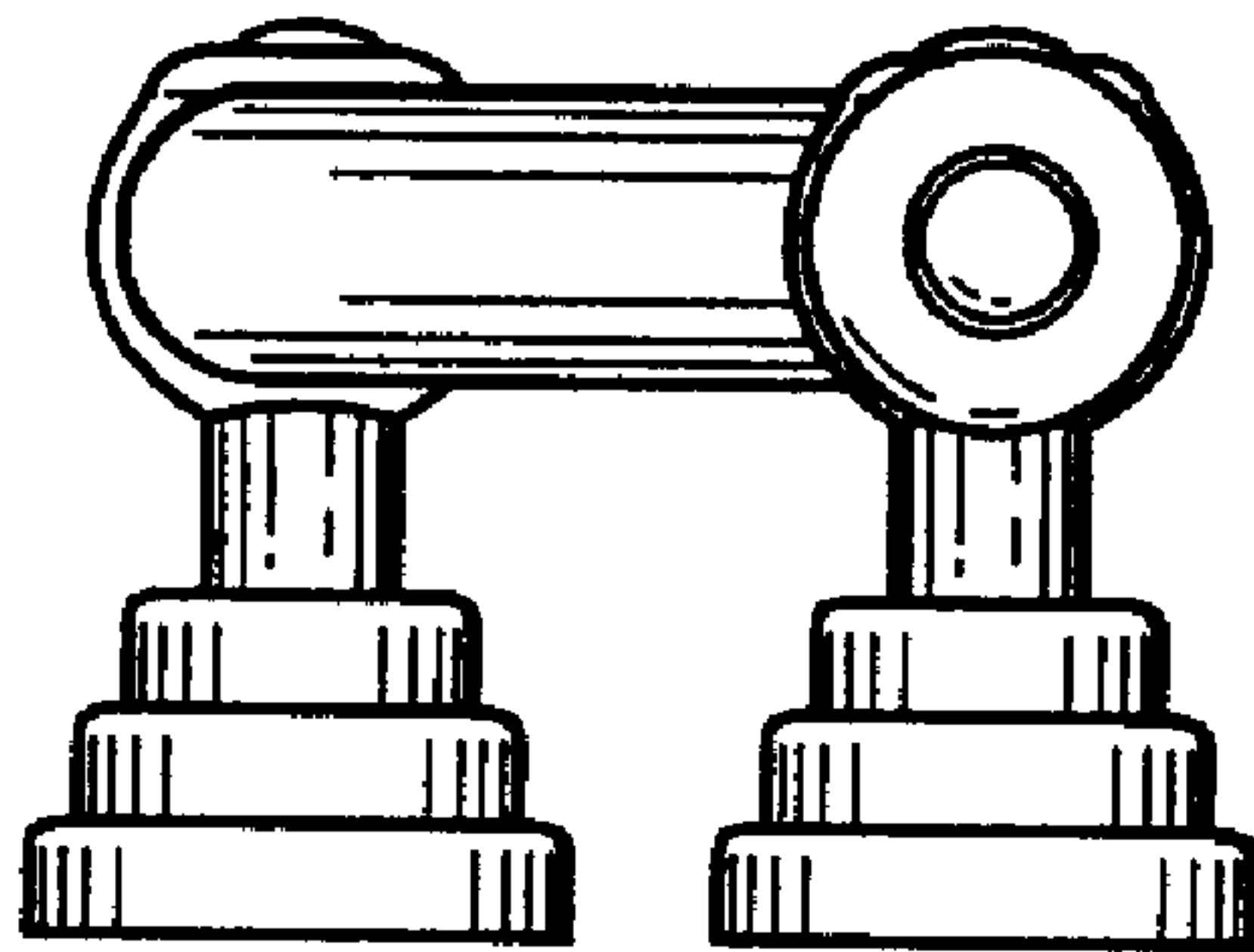


FIG. 4

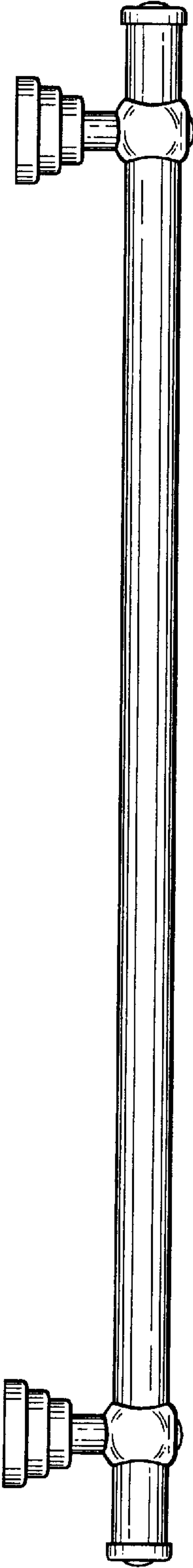


FIG. 6

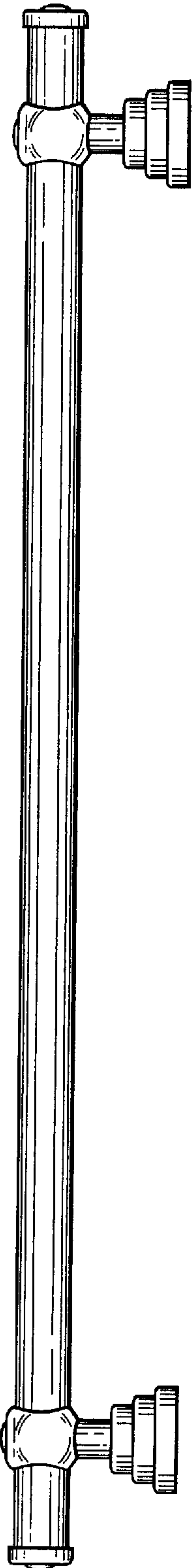


FIG. 7