

US00D541384S

(12) **United States Design Patent**
Citterio

(10) **Patent No.:** **US D541,384 S**

(45) **Date of Patent:** **** Apr. 24, 2007**

(54) **FAUCET BASE**

(75) Inventor: **Antonio Citterio**, Milan (IT)

(73) Assignee: **Hansgrohe AG** (DE)

(**) Term: **14 Years**

(21) Appl. No.: **29/247,085**

(22) Filed: **May 30, 2006**

(30) **Foreign Application Priority Data**

Nov. 29, 2005 (EM) 000438189-0001/0005

(51) **LOC (8) Cl.** **23-01**

(52) **U.S. Cl.** **D23/249**

(58) **Field of Classification Search** D23/238-257;
4/675-678; 137/801

See application file for complete search history.

(56) **References Cited**

U.S. PATENT DOCUMENTS

- D380,036 S * 6/1997 Short et al. D23/252
- D466,979 S * 12/2002 Shulz D23/238
- D472,308 S * 3/2003 Hundley D23/255
- D478,652 S * 8/2003 Lai D23/238

- D516,180 S * 2/2006 Ouyoung D23/249
- D530,784 S * 10/2006 Kohler et al. D23/238
- D532,483 S * 11/2006 Lobermeier et al. D23/238

* cited by examiner

Primary Examiner—Louis S. Zarfaz

Assistant Examiner—Gregory Andoll

(74) *Attorney, Agent, or Firm*—Kwadjo Adusei-Poku;
Lloyd D. Doigan

(57) **CLAIM**

The ornamental design for a faucet base, as shown and described.

DESCRIPTION

FIG. 1 is a front perspective view of a faucet base showing my design;

FIG. 2 is a front elevational view thereof;

FIG. 3 is a rear elevational view thereof;

FIG. 4 is a left side elevational view thereof;

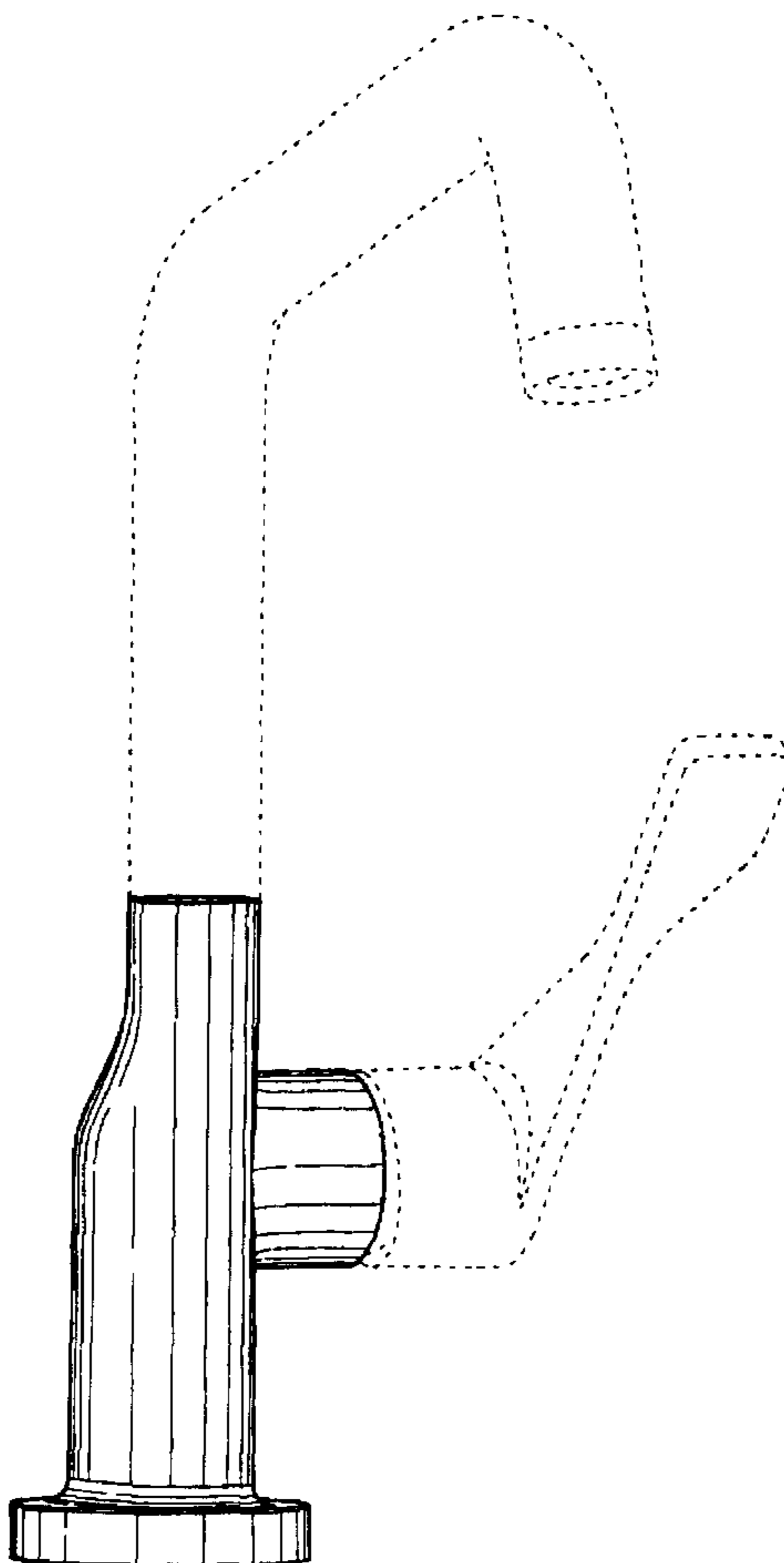
FIG. 5 is a right side elevational view thereof;

FIG. 6 is a top plan view thereof; and,

FIG. 7 is a bottom plan view thereof.

The broken lines in the Figures are for illustrative purposes only and form no part of the claimed design.

1 Claim, 7 Drawing Sheets



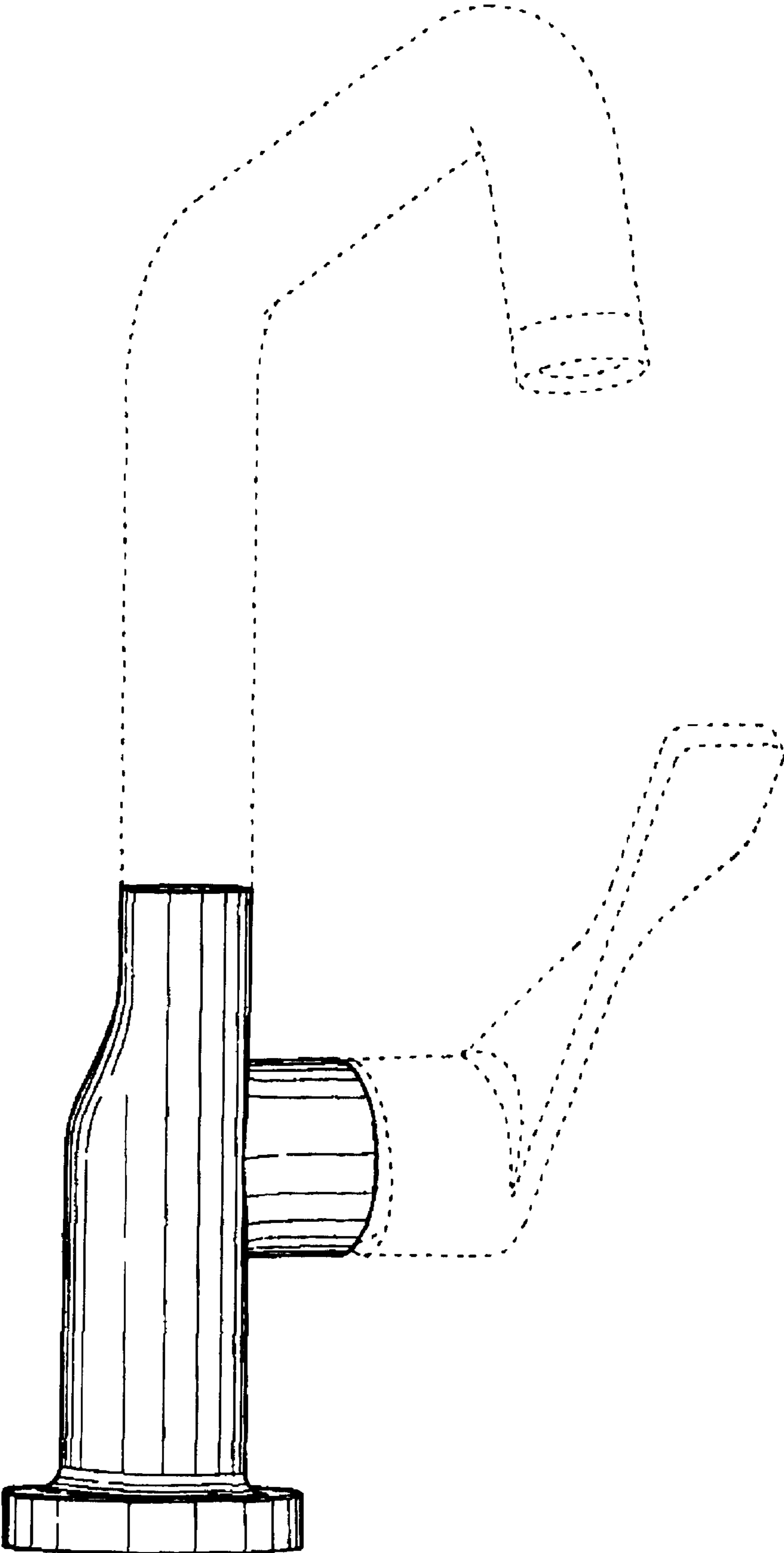
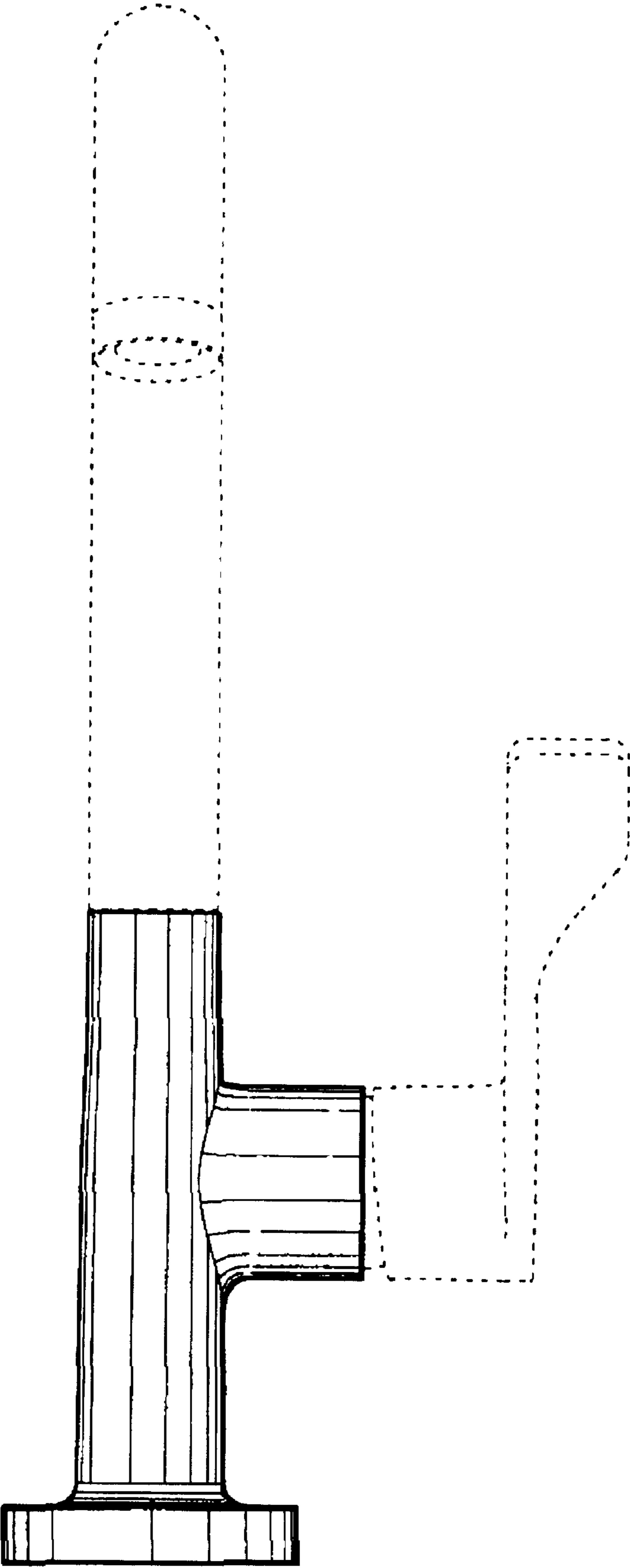


FIG. 1

FIG. 2



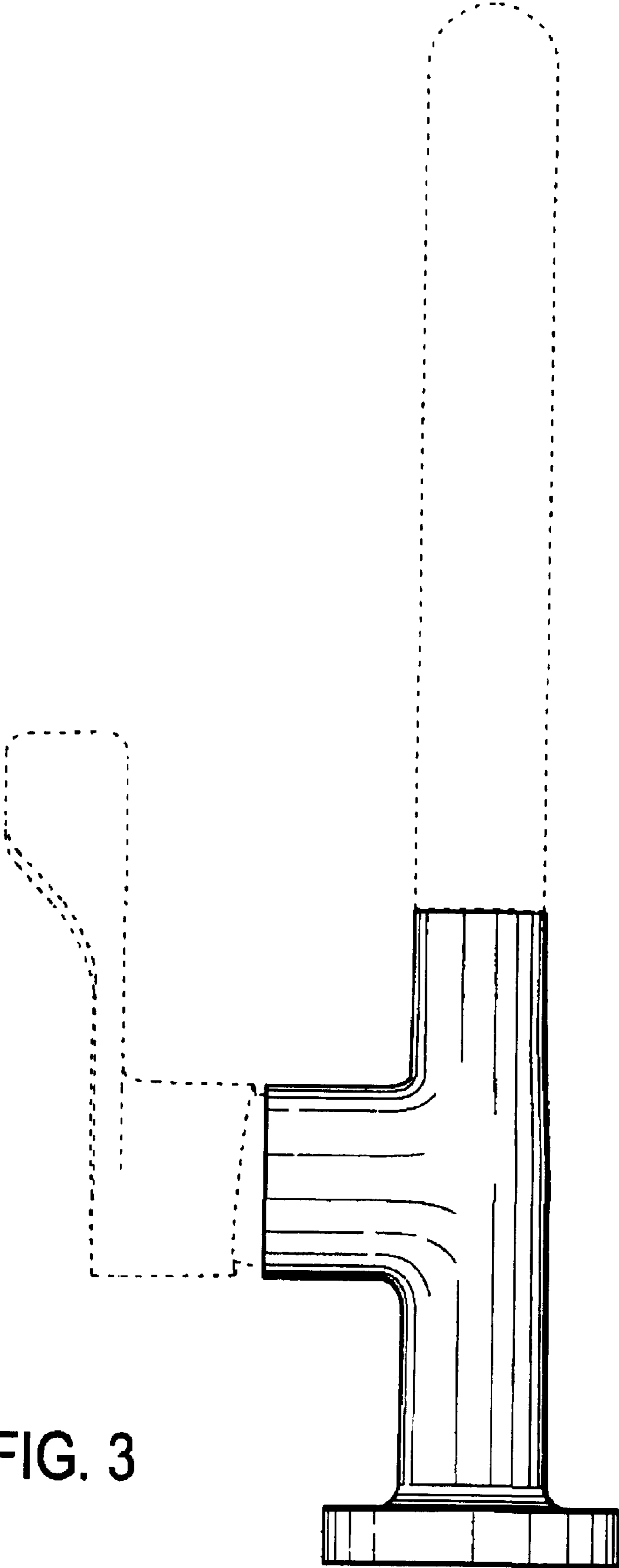


FIG. 3

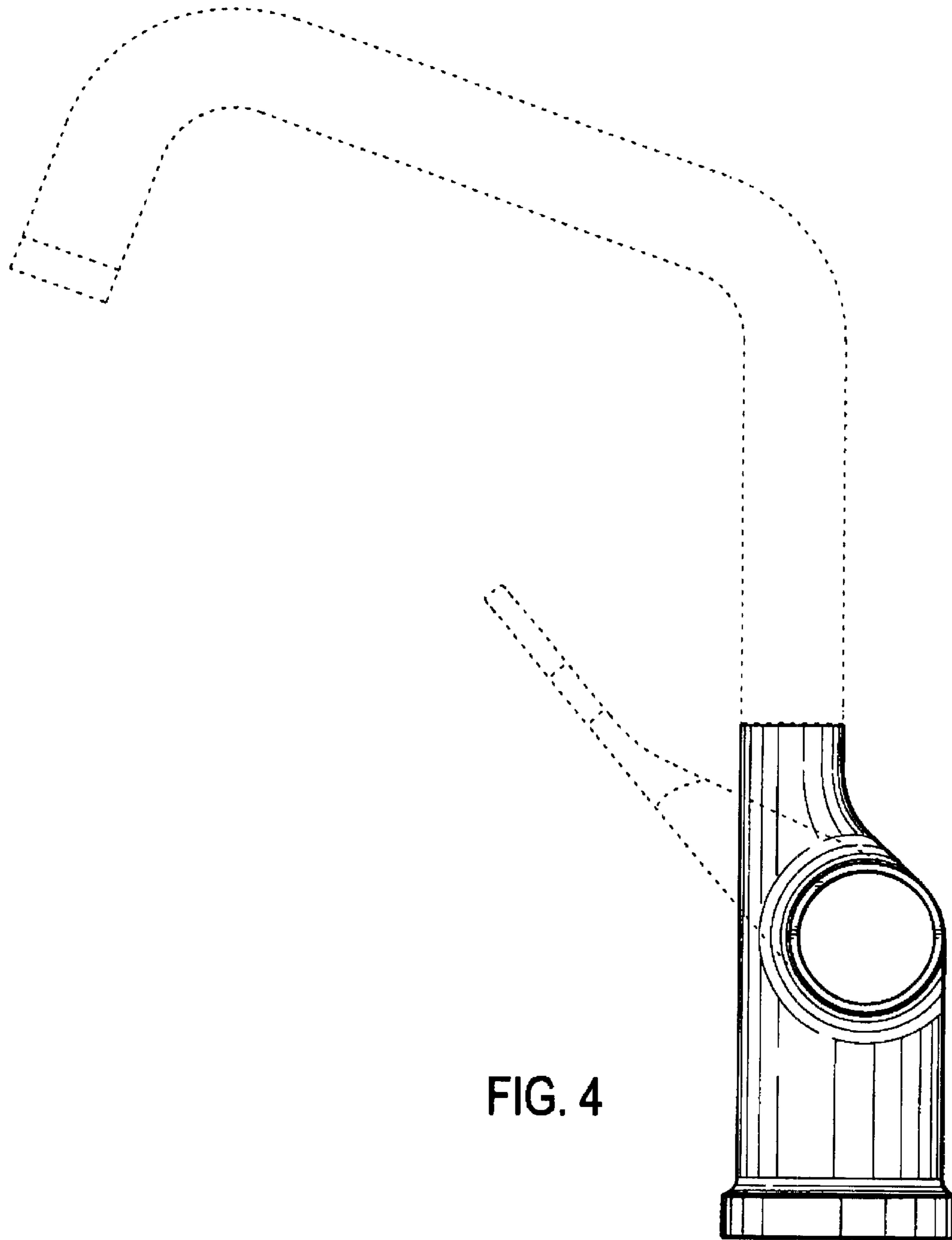


FIG. 4

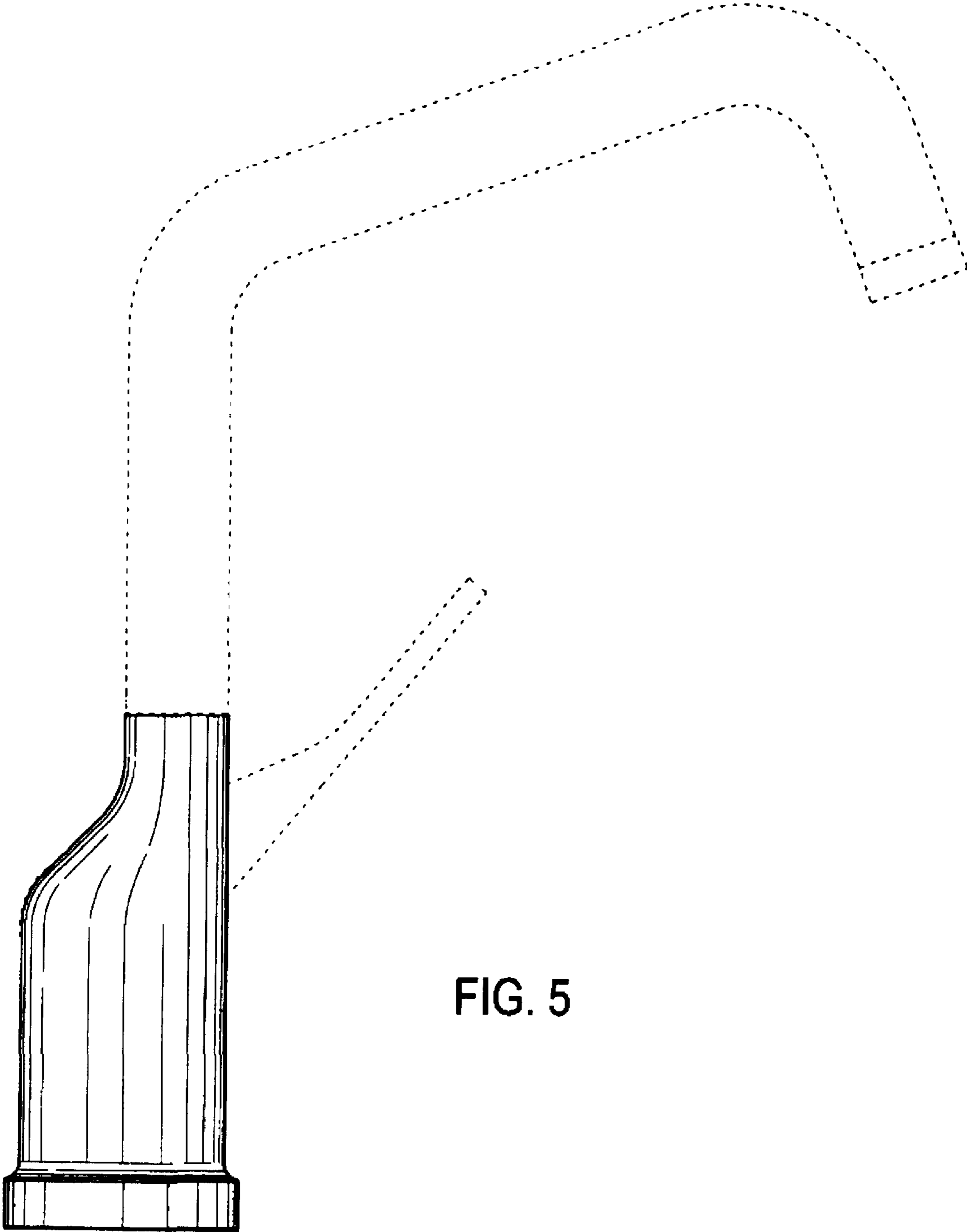


FIG. 5

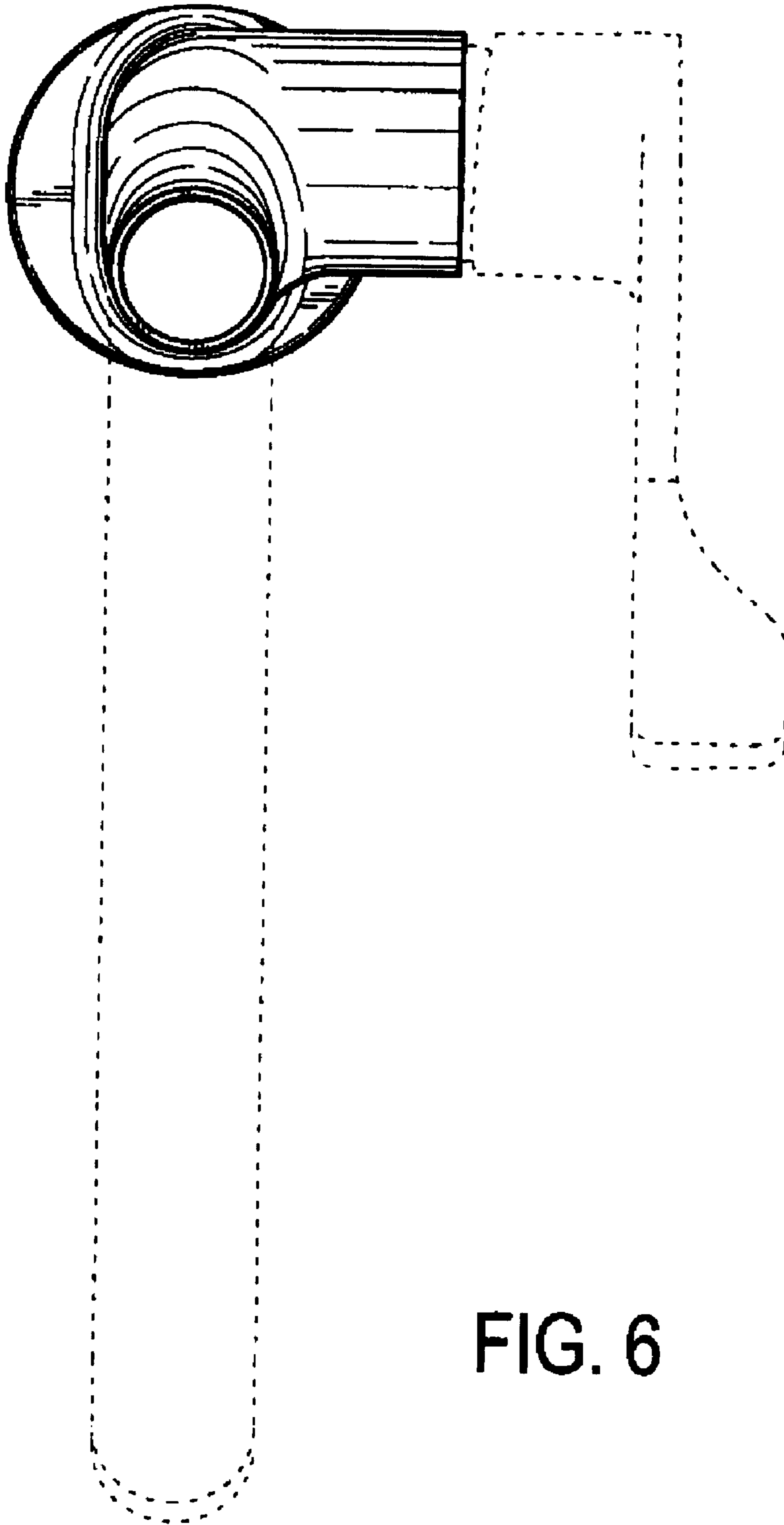


FIG. 6

FIG. 7

