

US00D541380S

(12) **United States Design Patent**
Kikuchi

(10) **Patent No.:** **US D541,380 S**

(45) **Date of Patent:** **** Apr. 24, 2007**

(54) **FAUCET**

(75) **Inventor:** **Yasuo Kikuchi**, Kitakyushu (JP)

(73) **Assignee:** **Toto Ltd.**, Kitakyushu-shi (JP)

(**) **Term:** **14 Years**

(21) **Appl. No.:** **29/237,851**

(22) **Filed:** **Sep. 8, 2005**

(30) **Foreign Application Priority Data**

Mar. 11, 2005 (JP) 2005-007313

(51) **LOC (8) Cl.** **23-01**

(52) **U.S. Cl.** **D23/238**

(58) **Field of Classification Search** D23/238-257;
4/675-678; 137/801

See application file for complete search history.

(56) **References Cited**

U.S. PATENT DOCUMENTS

D303,565 S * 9/1989 Paul D23/242

D375,444 S * 11/1996 McElwee D8/300

D503,217 S * 3/2005 Aubry et al. D23/255

D528,640 S * 9/2006 Yoshioka D23/255

* cited by examiner

Primary Examiner—Louis S. Zarfes

Assistant Examiner—Gregory Andoll

(74) *Attorney, Agent, or Firm*—Birch, Stewart, Kolasch & Birch, LLP

(57) **CLAIM**

The ornamental design for a faucet, as shown and described.

DESCRIPTION

FIG. 1 is a perspective view of the top, front and right side of a faucet showing my new design;

FIG. 2 is a front view thereof;

FIG. 3 is a rear view thereof;

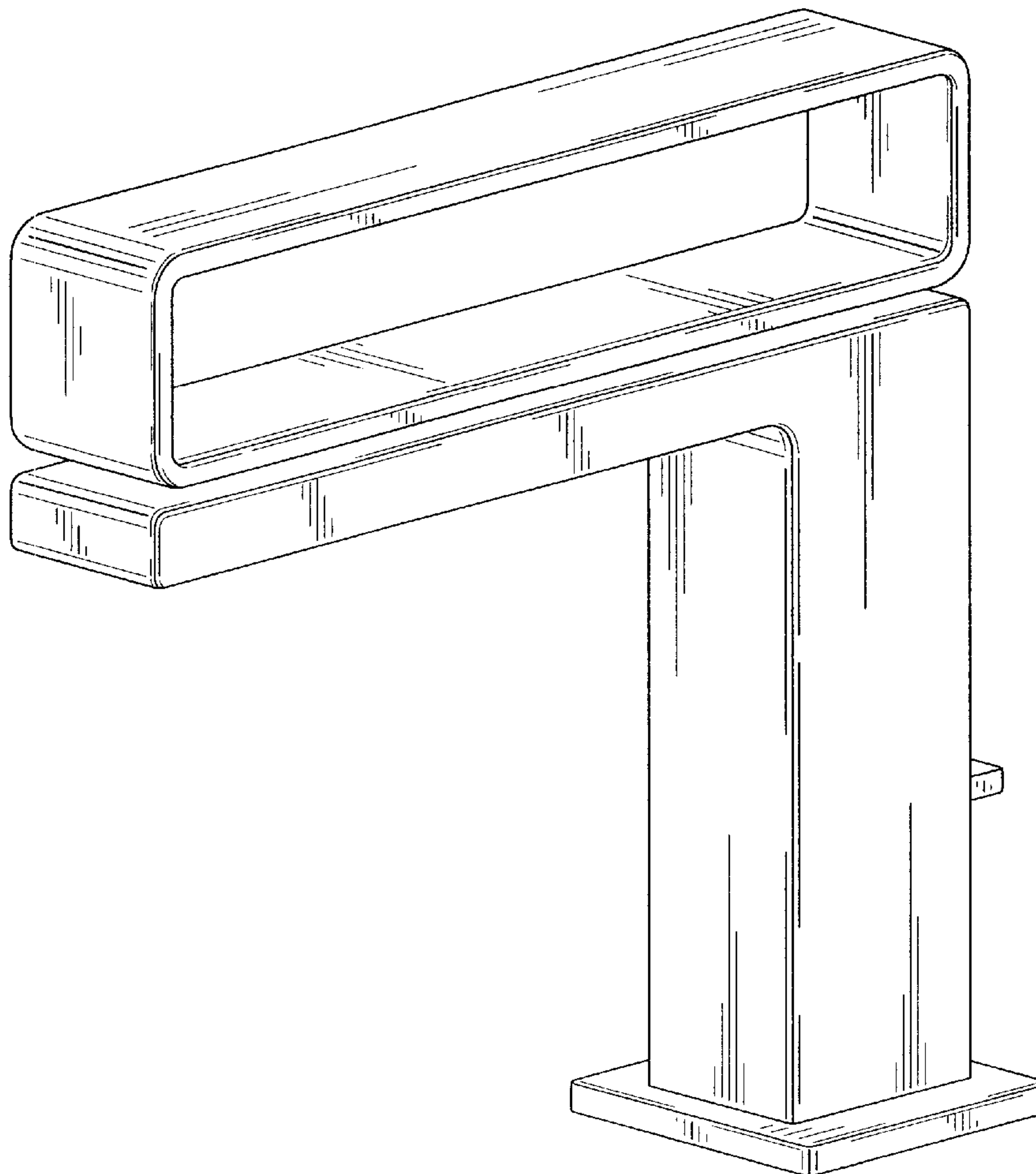
FIG. 4 is a left side view thereof;

FIG. 5 is a right side view thereof;

FIG. 6 is a top plan view thereof; and,

FIG. 7 is a bottom view thereof.

1 Claim, 5 Drawing Sheets



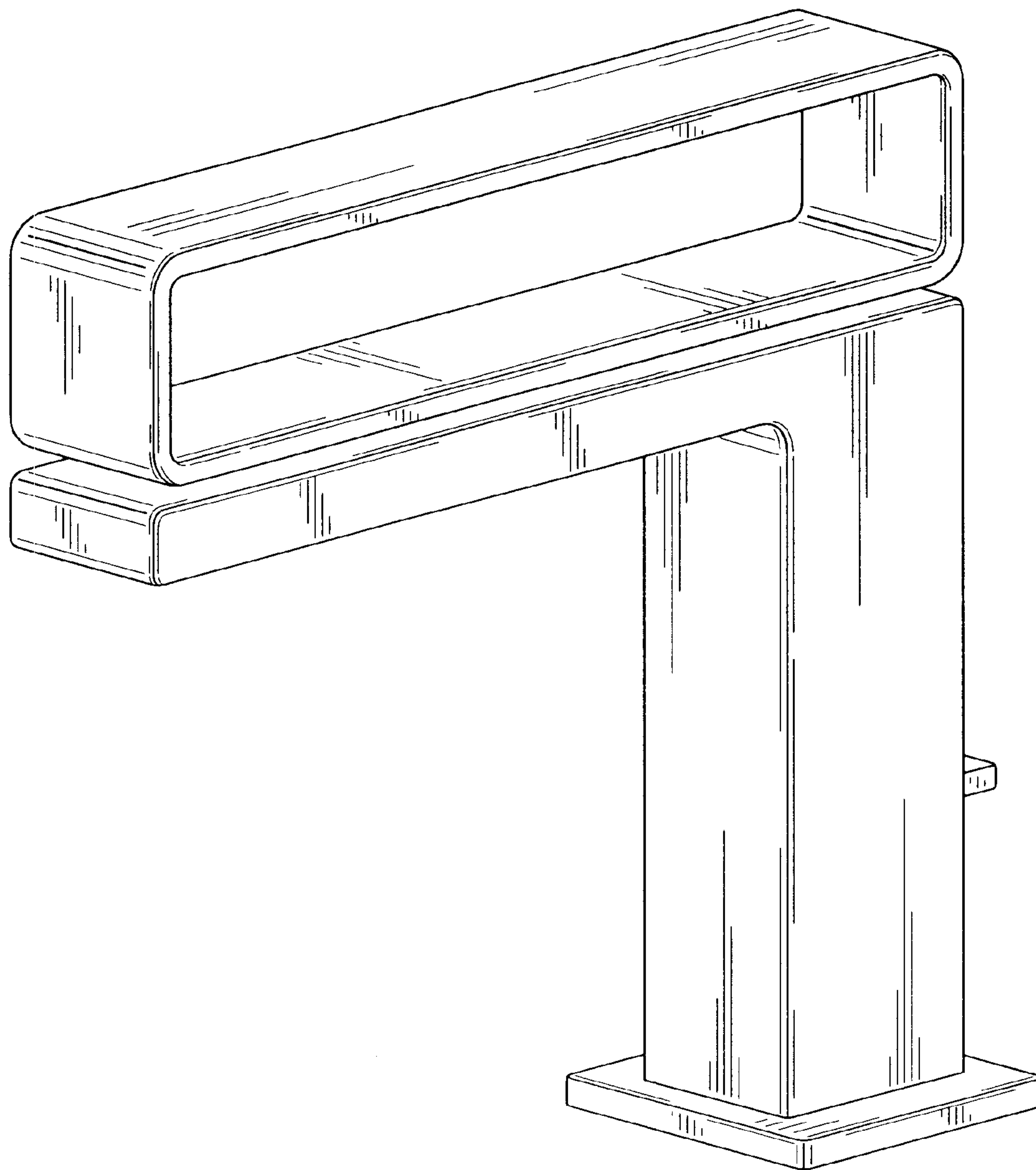


FIG. 1

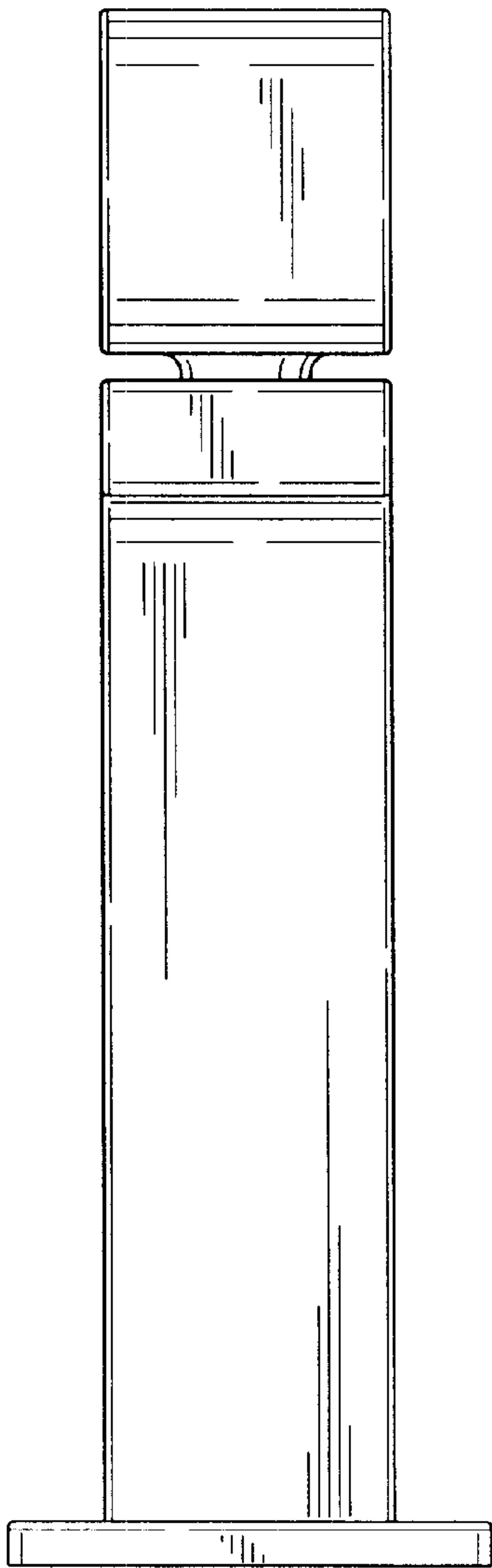


FIG. 2

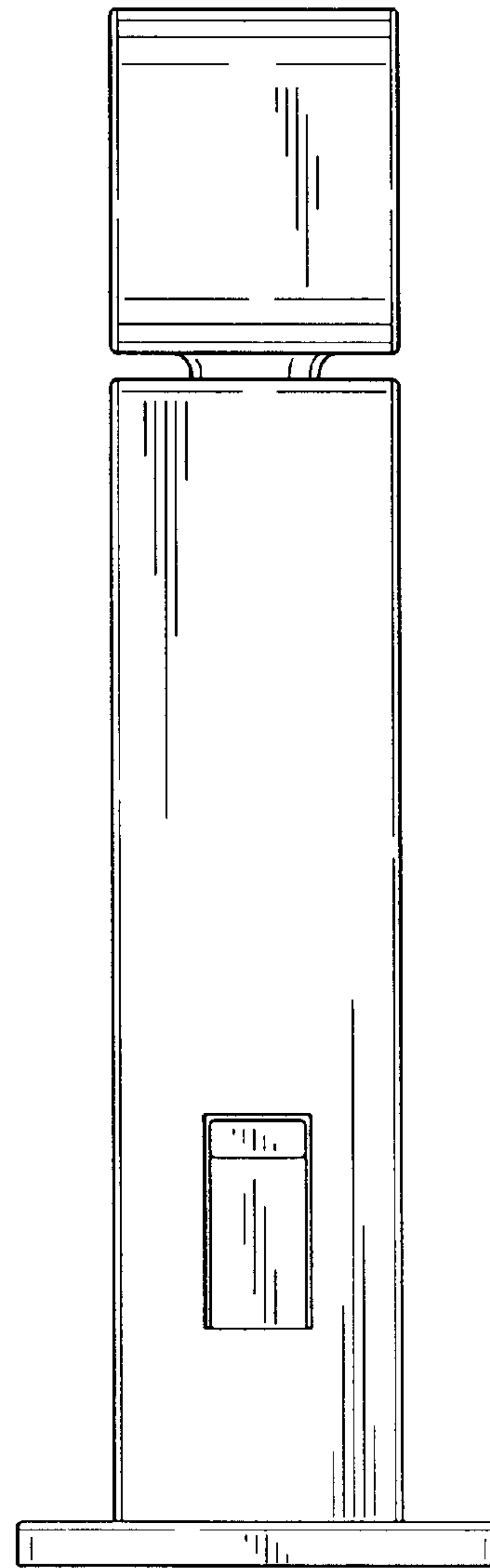


FIG. 3

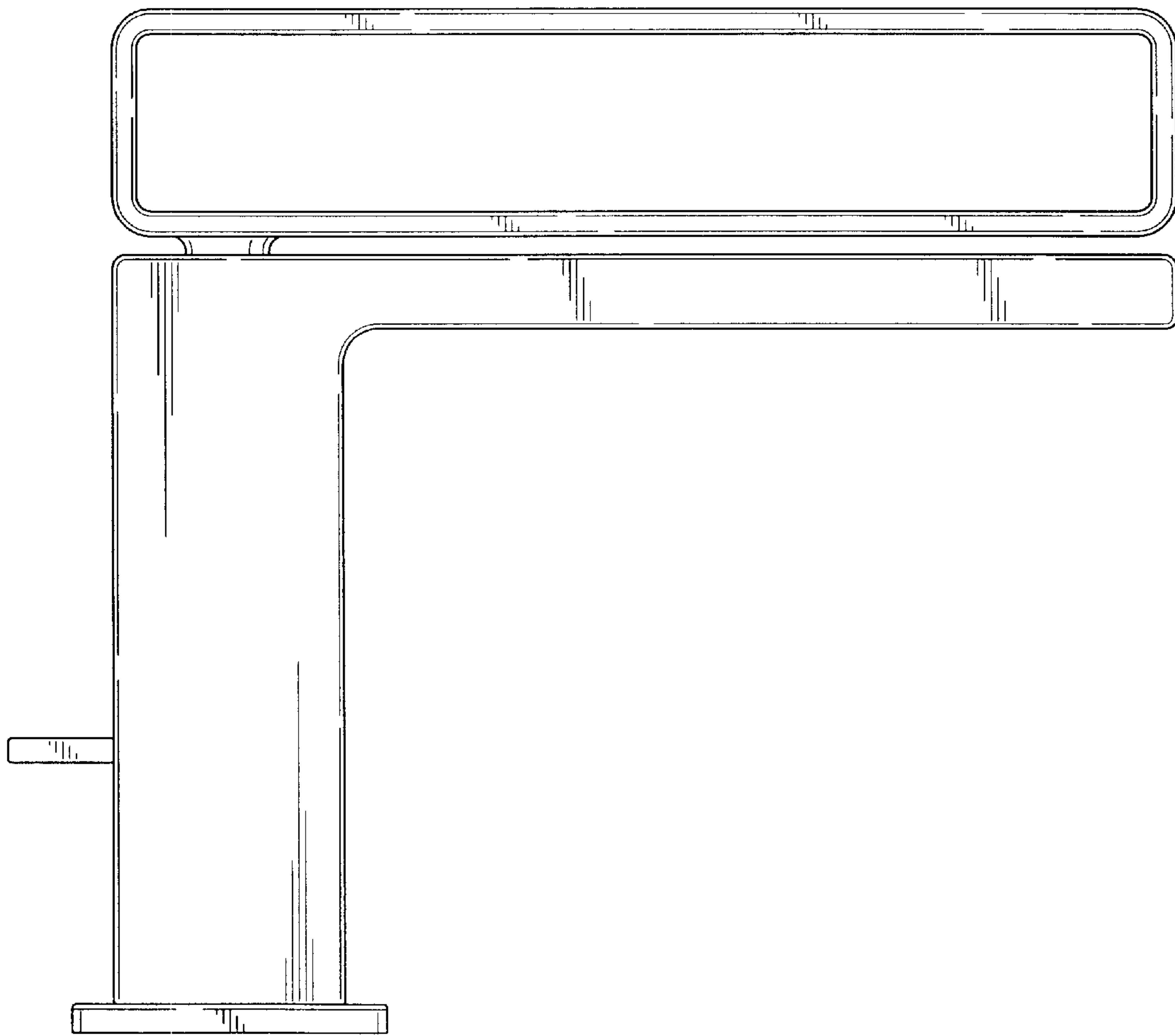


FIG. 4

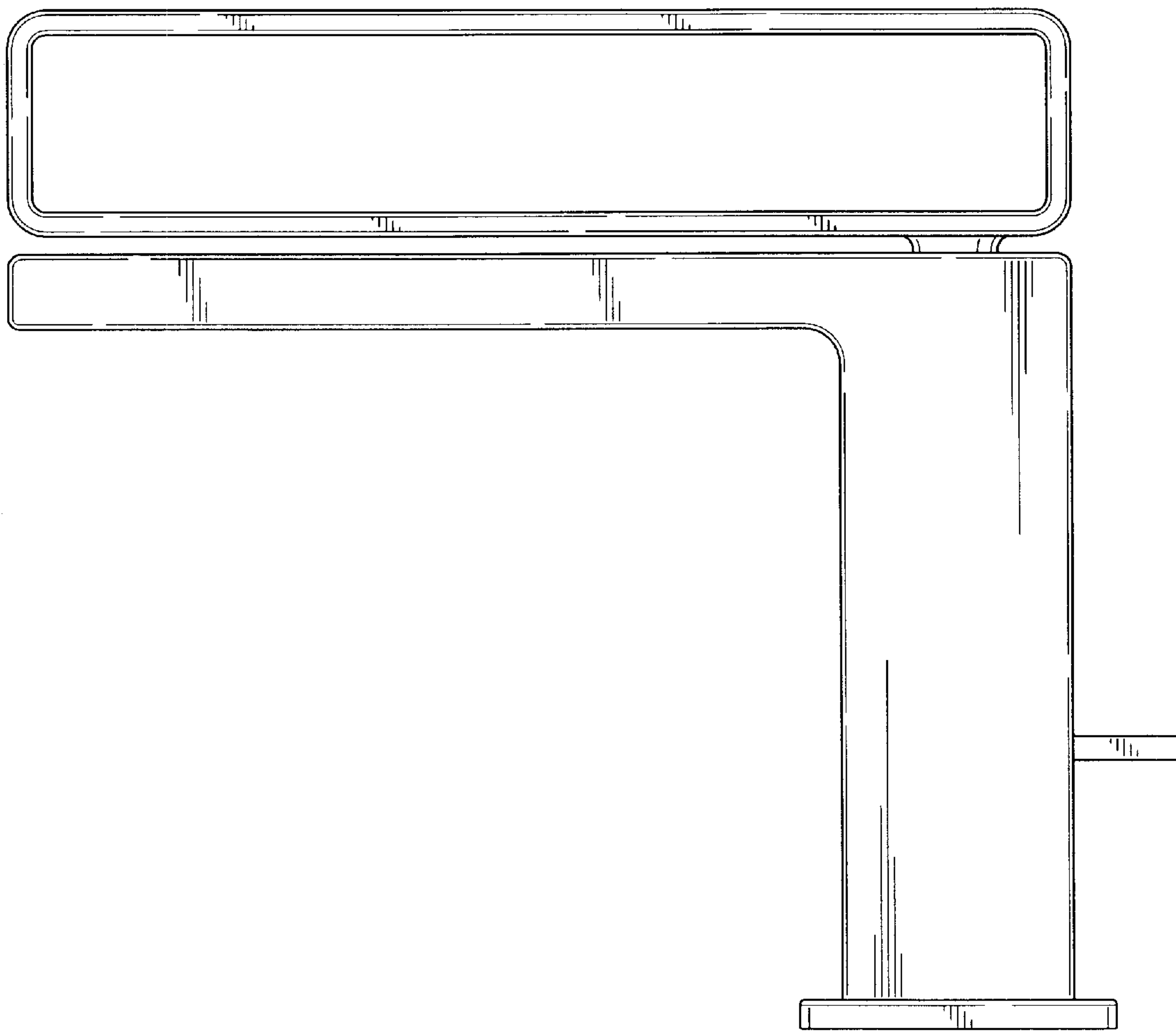


FIG. 5

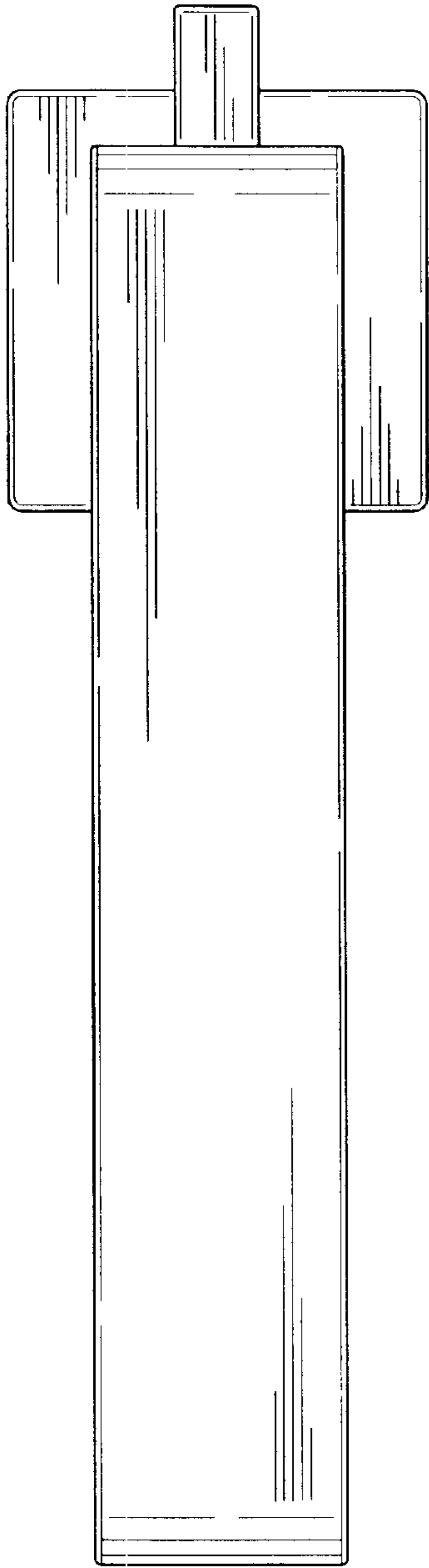


FIG. 6

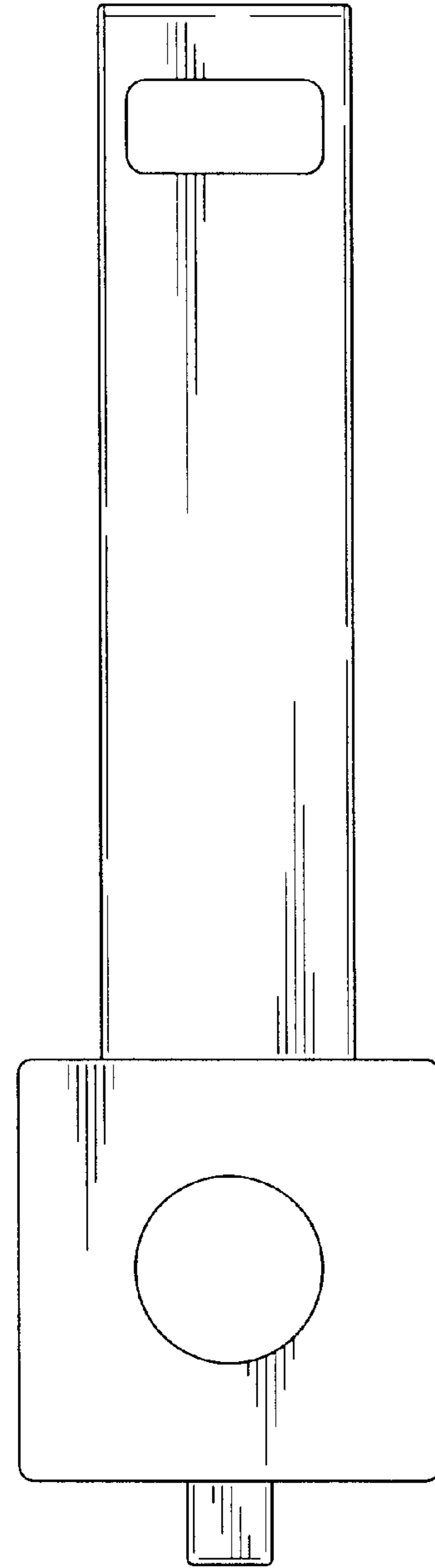


FIG. 7