



US00D541379S

(12) **United States Design Patent**  
**Nortier**

(10) **Patent No.:** **US D541,379 S**

(45) **Date of Patent:** **\*\* Apr. 24, 2007**

(54) **FLUSH VALVE CONTROL STOP**

(75) Inventor: **Richard A. Nortier**, Westchester, IL  
(US)

(73) Assignee: **Sloan Valve Company**, Franklin Park,  
IL (US)

(\*\*) Term: **14 Years**

(21) Appl. No.: **29/247,633**

(22) Filed: **Jun. 29, 2006**

**Related U.S. Application Data**

(63) Continuation-in-part of application No. 29/197,746, filed on  
Jan. 20, 2004, now abandoned.

(51) **LOC (8) Cl.** ..... **23-01**

(52) **U.S. Cl.** ..... **D23/233**

(58) **Field of Classification Search** ..... D23/233-237,  
D23/244-249, 260; D10/40; 137/1, 218,  
137/270, 549-550; 251/61.4-61.5, 30.01-30.03  
See application file for complete search history.

(56) **References Cited**

**U.S. PATENT DOCUMENTS**

D270,752 S \* 9/1983 Gorans ..... D23/248

D358,454 S \* 5/1995 Kaspers ..... D23/245  
D386,985 S \* 12/1997 Cameron ..... D10/40  
D470,222 S \* 2/2003 Nortier ..... D23/233  
D498,821 S \* 11/2004 Nortier ..... D23/249  
D520,111 S \* 5/2006 Cheng ..... D23/233

\* cited by examiner

*Primary Examiner*—Ian Simmons

*Assistant Examiner*—Maurice Stevens

(74) *Attorney, Agent, or Firm*—Cook, Alex, McFarron,  
Manzo, Cummings & Mehler, Ltd.

(57) **CLAIM**

The ornamental design for a flush valve control stop, as  
shown and described.

**DESCRIPTION**

FIG. 1 is a perspective view of my new design for a flush  
valve control stop;

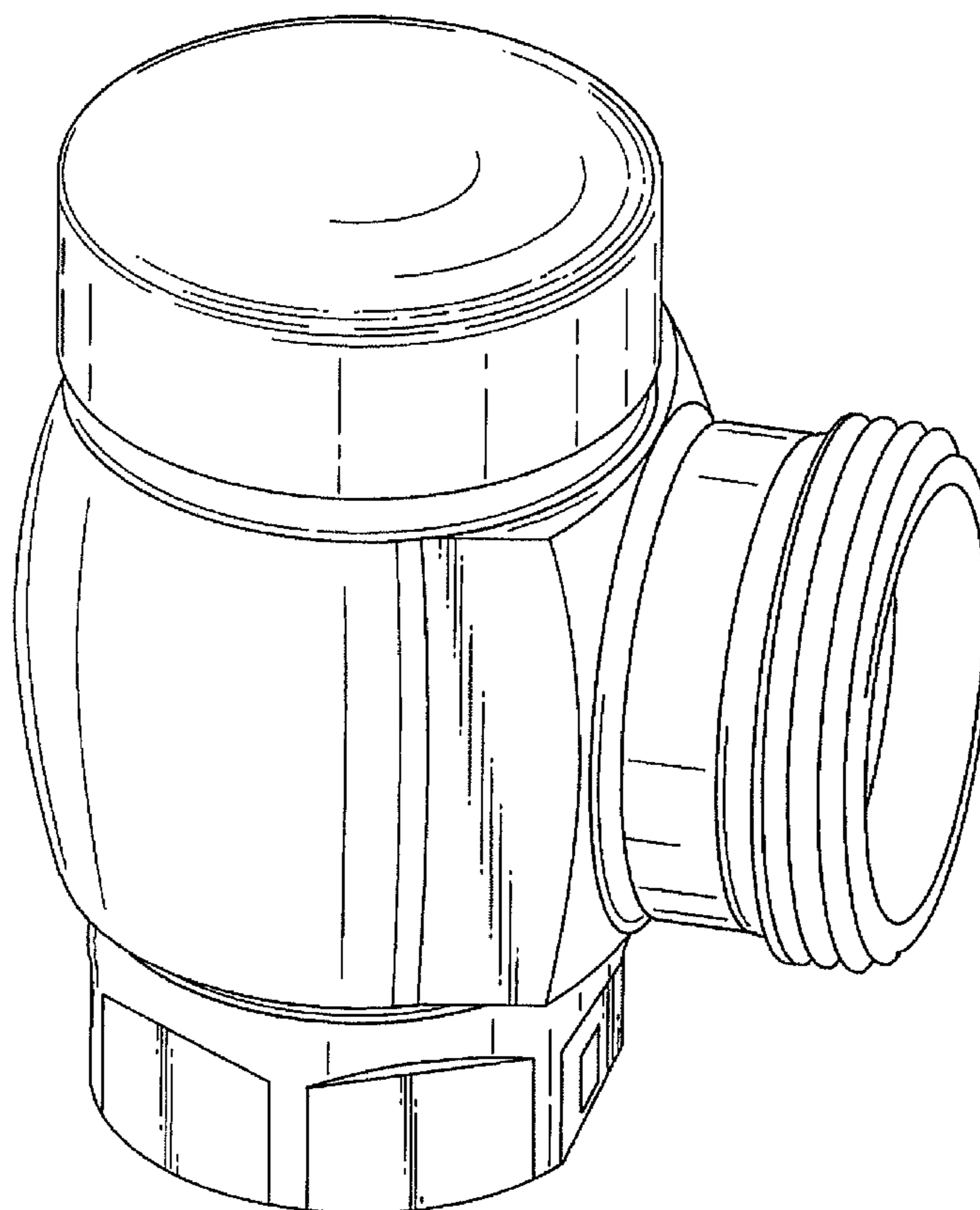
FIG. 2 is a top plan view thereof;

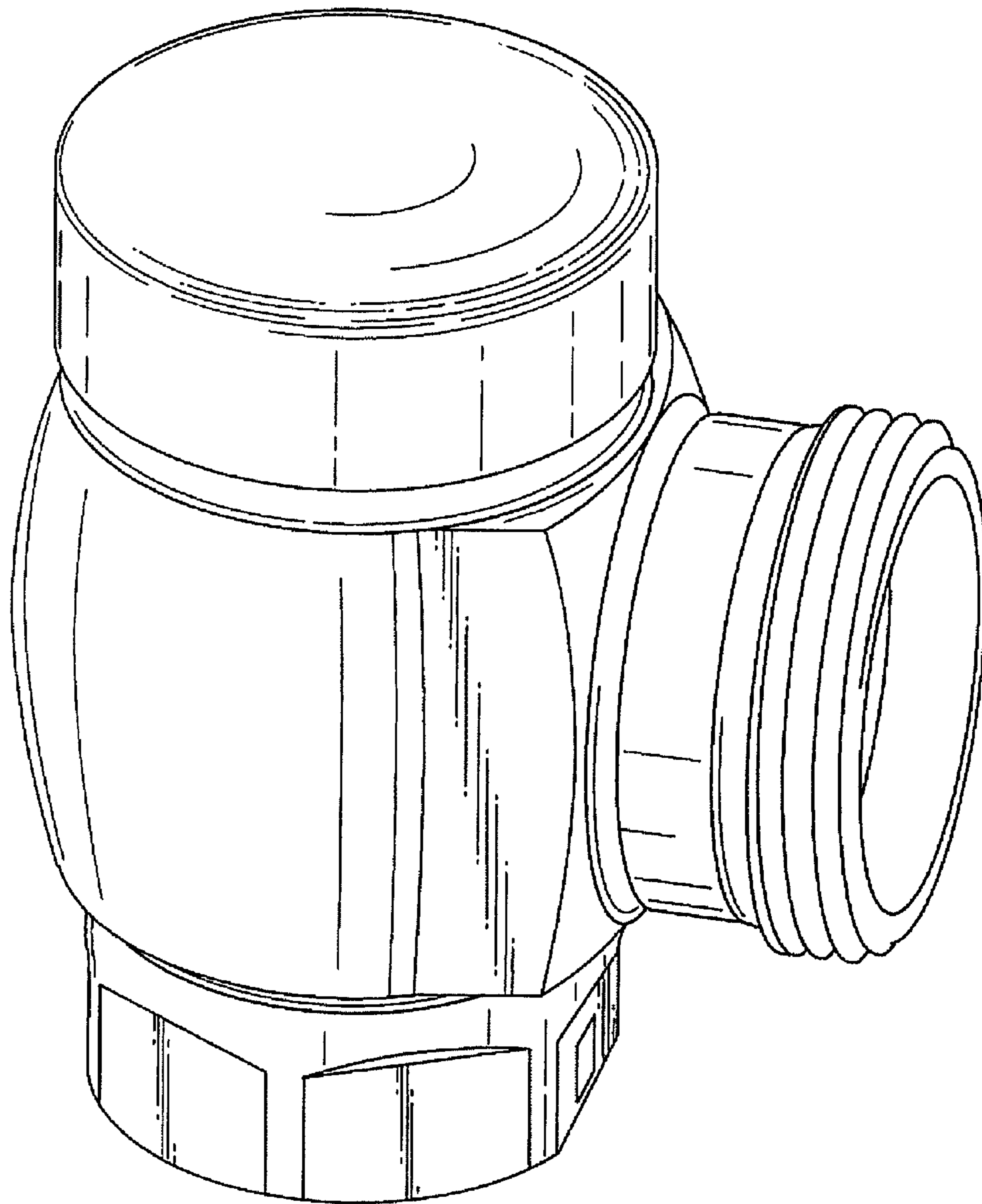
FIG. 3 is a front elevational view thereof, the rear elevational  
view being a mirror image thereof;

FIG. 4 is a left side elevational view thereof; and,

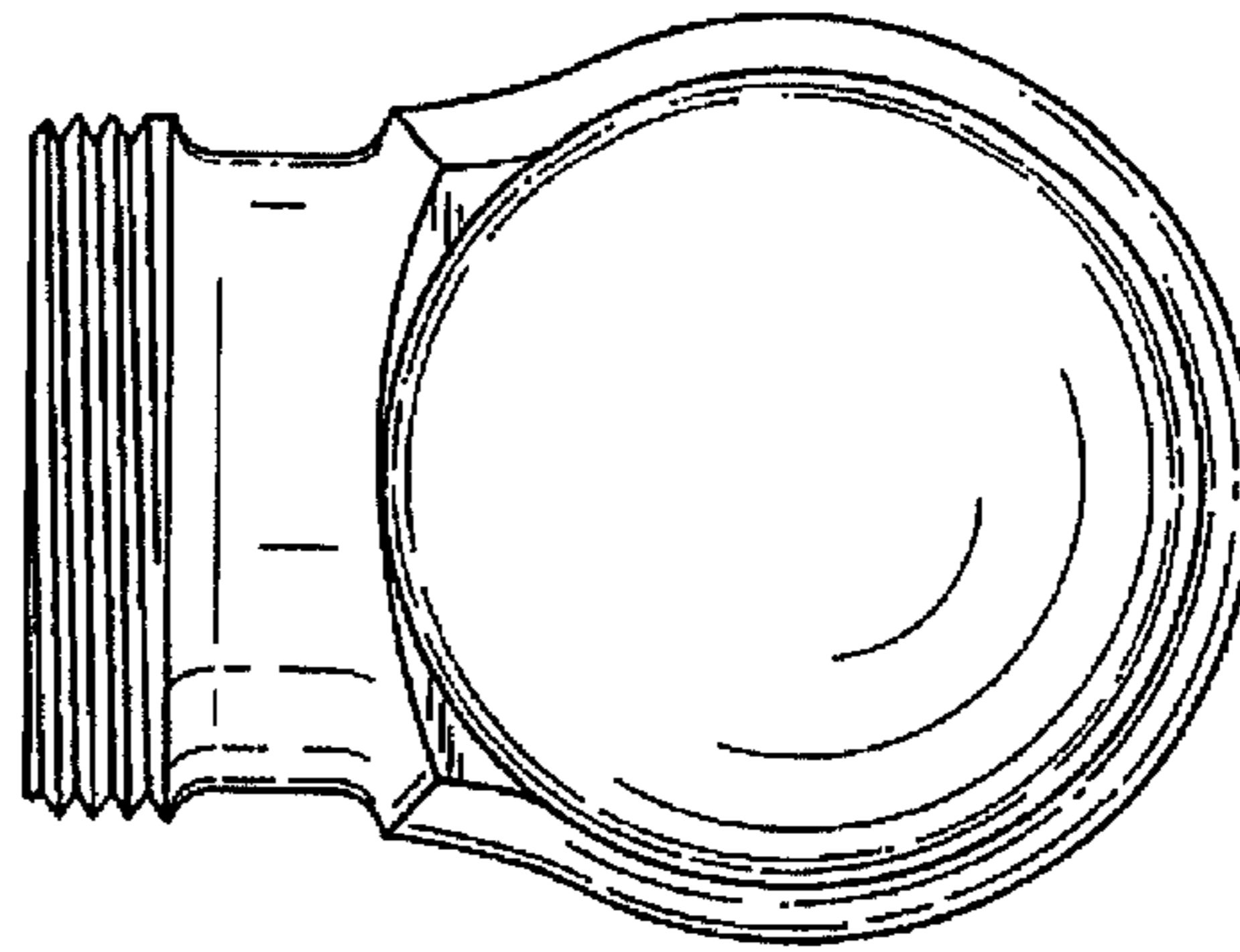
FIG. 5 is a bottom plan view.

**1 Claim, 2 Drawing Sheets**

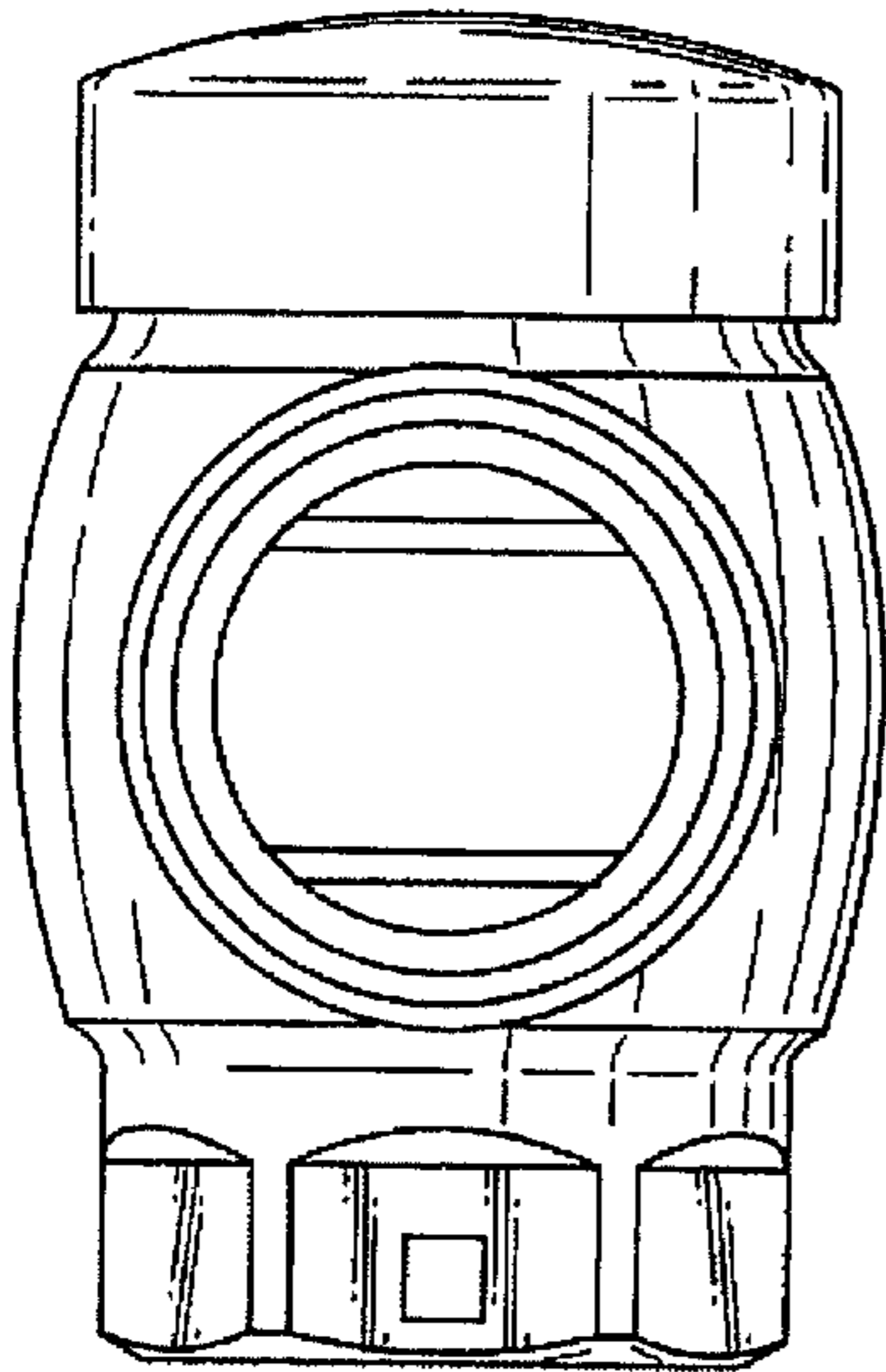




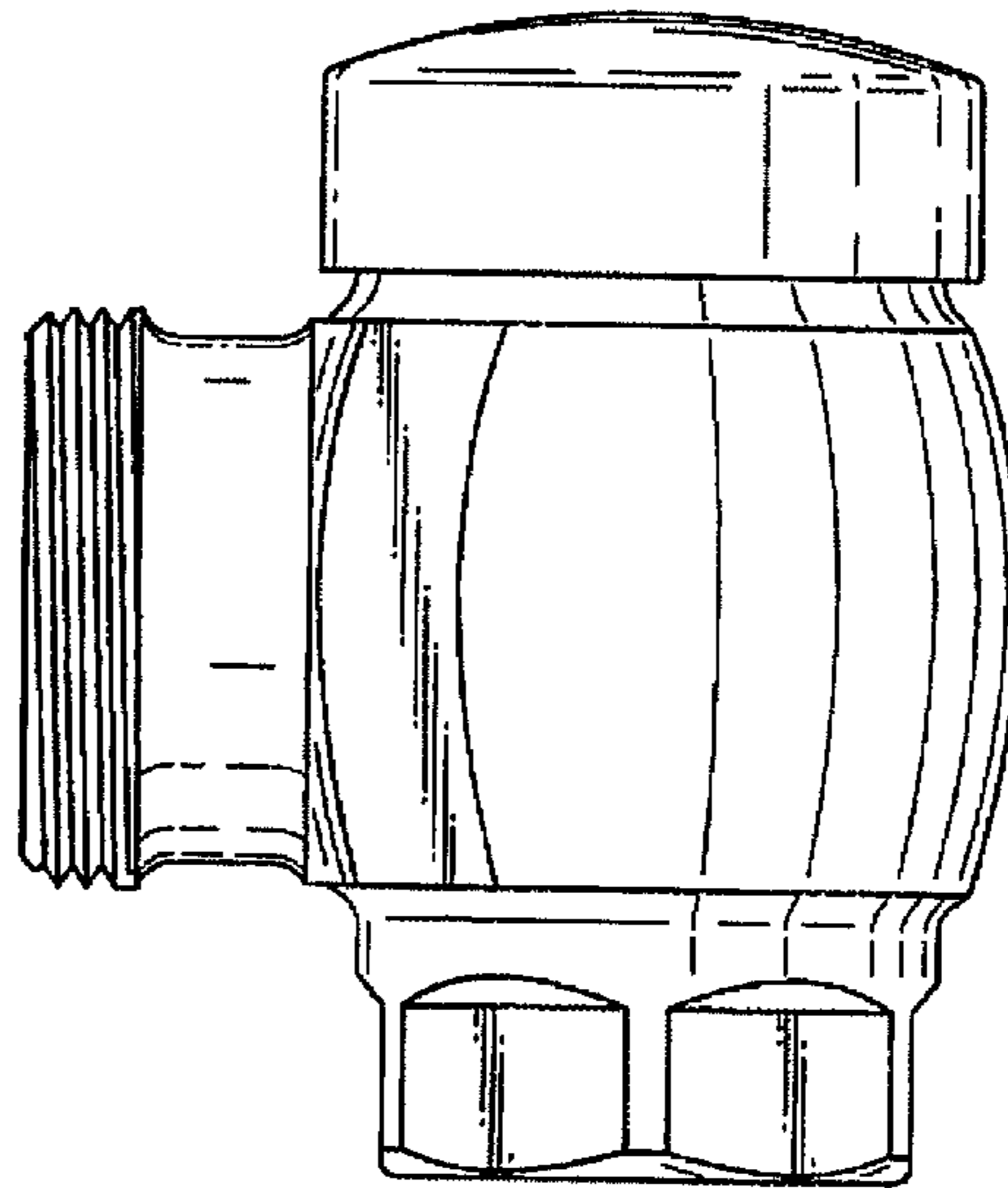
*Fig. 1*



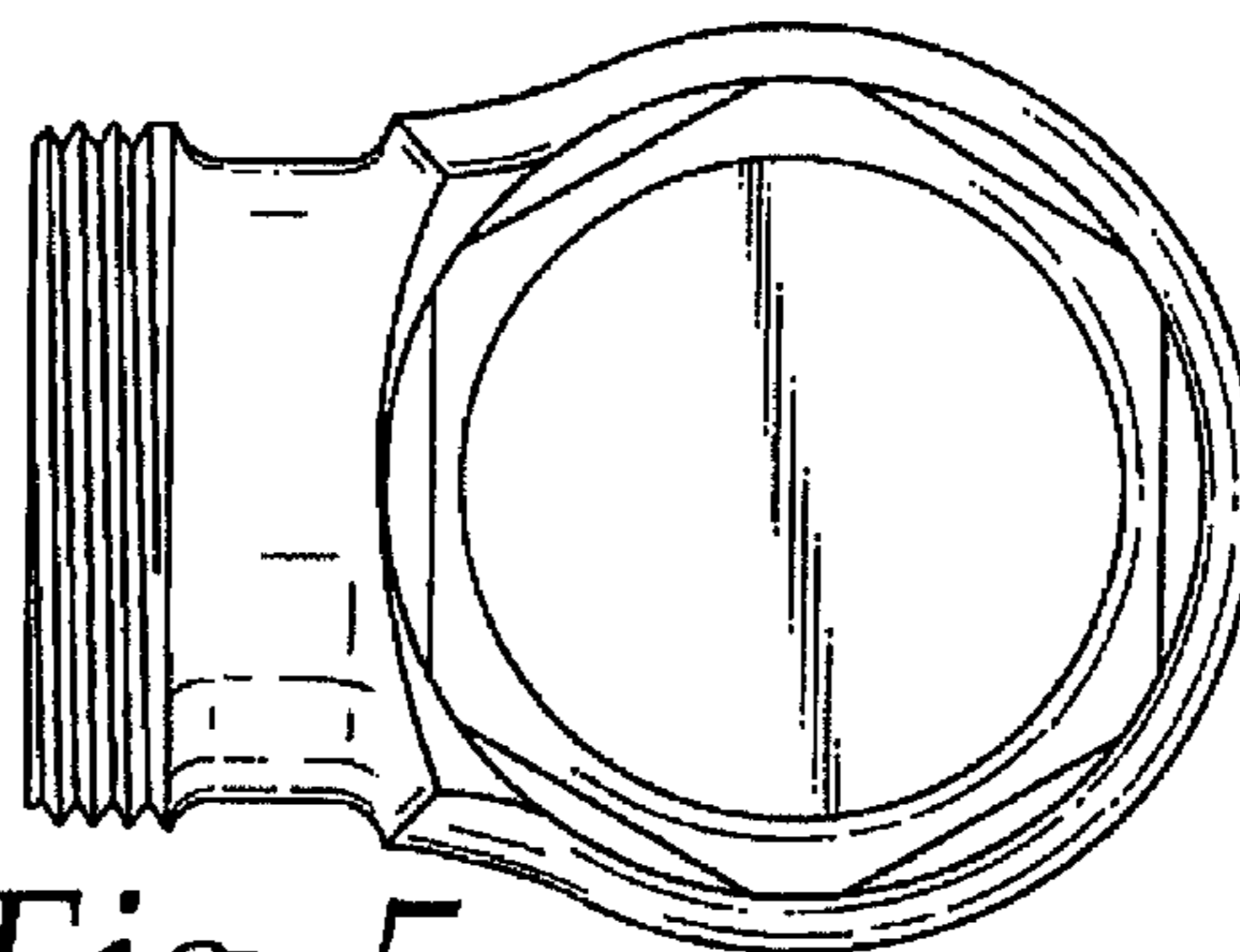
*Fig. 2*



*Fig. 4*



*Fig. 3*



*Fig. 5*