

US00D541378S

(12) **United States Design Patent**
Sinvani

(10) **Patent No.:** **US D541,378 S**

(45) **Date of Patent:** **** Apr. 24, 2007**

(54) **VALVE HANDLE**

(74) *Attorney, Agent, or Firm*—Jacobson Holman PLLC

(75) **Inventor:** **Marlene Corydon Sinvani,**
Espergaerde (DK)

(57) **CLAIM**

The ornamental design for a valve handle, as shown and described.

(73) **Assignee:** **Coloplast A/S,** Humlebaek (DK)

(**) **Term:** **14 Years**

DESCRIPTION

(21) **Appl. No.:** **29/243,344**

FIG. 1 is a front perspective view showing my new design for a valve handle, the portion shown in dotted lines is for illustrative purposes only and forms no part of the design, FIG. 2 is a rear perspective view thereof, the portion shown in dotted lines is for illustrative purposes only and forms no part of the design,

(22) **Filed:** **Nov. 23, 2005**

(30) **Foreign Application Priority Data**

May 23, 2005 (EM) 000344163

FIG. 3 is another rear perspective view of the valve handle at a slightly shifted angle from FIG. 1, the portion shown in dotted lines is for illustrative purposes only and forms no part of the design,

(51) **LOC (8) Cl.** **23-01**

(52) **U.S. Cl.** **D23/233**

(58) **Field of Classification Search** D23/233–237,
D23/244–257; D8/300–322, 350–353, DIG. 3,
D8/DIG. 7, DIG. 10; 16/110.1; 4/675–678;
137/801, 625.41, 625.15, 625.21, 625.31,
137/625.46; 251/188, 192, 205, 208, 304,
251/307, 309; 604/167.02–167.03, 167.05,
604/247–248

FIG. 4 is an enlarged plan view thereof, the portion shown in dotted lines is for illustrative purposes only and forms no part of the design,

See application file for complete search history.

FIG. 5 is a front perspective view of an alternate positioning of the valve handle, the portion shown in dotted lines is for illustrative purposes only and forms no part of the design,

(56) **References Cited**

U.S. PATENT DOCUMENTS

2,433,732 A * 12/1947 Brown 251/175
D273,034 S * 3/1984 Higgins D23/245
D331,964 S * 12/1992 Hengesbach D23/245
5,364,341 A * 11/1994 Cook 604/30
D380,526 S * 7/1997 Pullen D23/245
D407,144 S * 3/1999 Formgren D23/252
6,935,568 B2 * 8/2005 Mace et al. 236/12.2
D518,573 S * 4/2006 French D24/129
2003/0181850 A1 * 9/2003 Diamond et al. 604/30

FIG. 6 is a rear perspective view thereof, the portion shown in dotted lines is for illustrative purposes only and forms no part of the design,

* cited by examiner

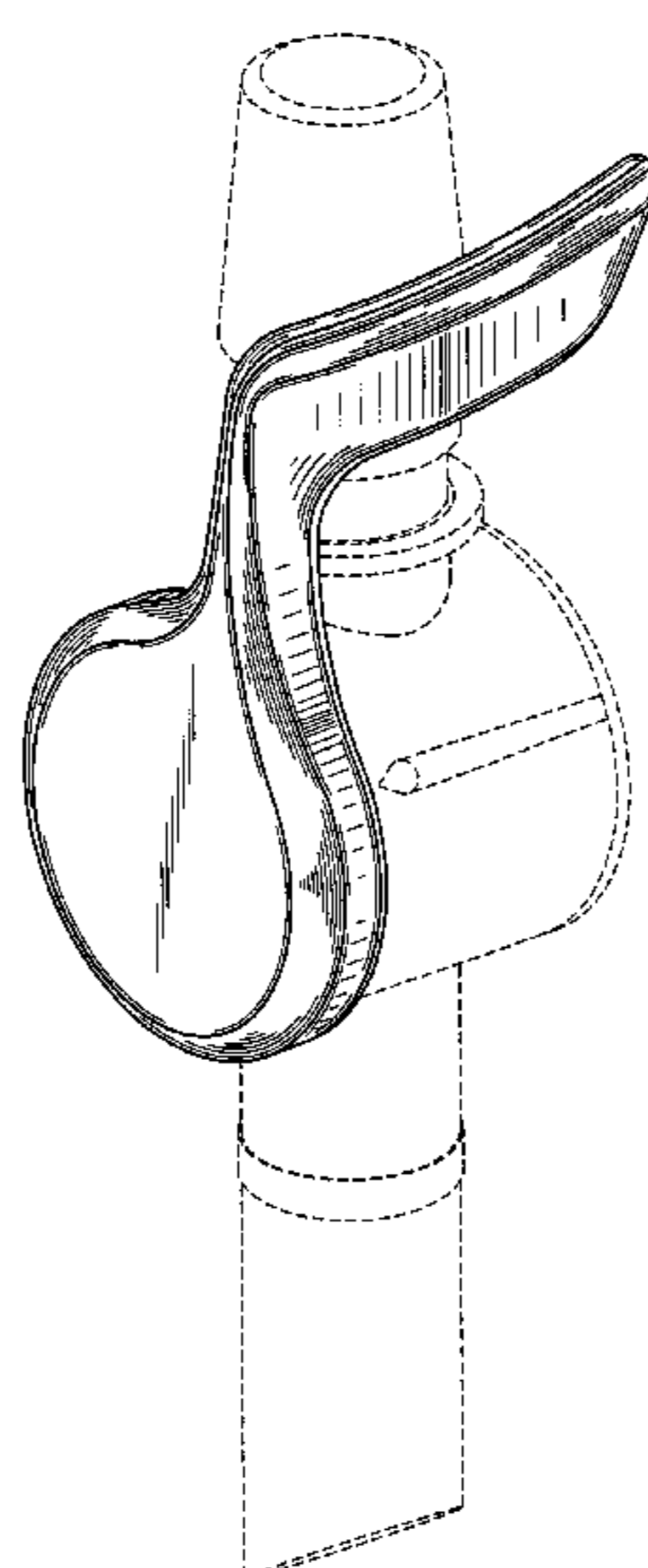
FIG. 7 is another front perspective view of the valve handle at a slightly shifted angle from FIG. 5, the portion shown in dotted lines is for illustrative purposes only and forms no part of the design,

Primary Examiner—Ian Simmons
Assistant Examiner—Maurice Stevens

FIG. 8 is an enlarged bottom view, the portion shown in dotted lines is for illustrative purposes only and forms no part of the design; and,

1 Claim, 9 Drawing Sheets

FIG. 9 is a rear view thereof, the portion shown in dotted lines is for illustrative purposes only and forms no part of the design.



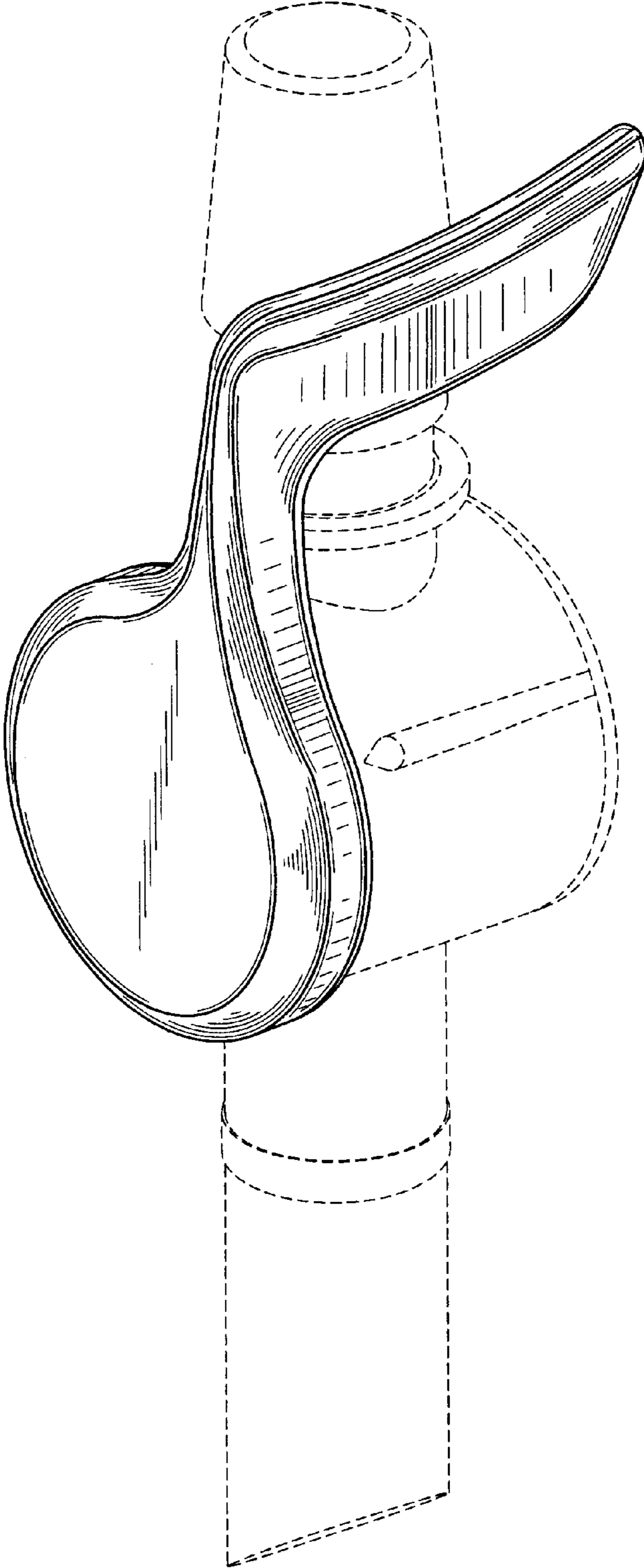


FIG. 1

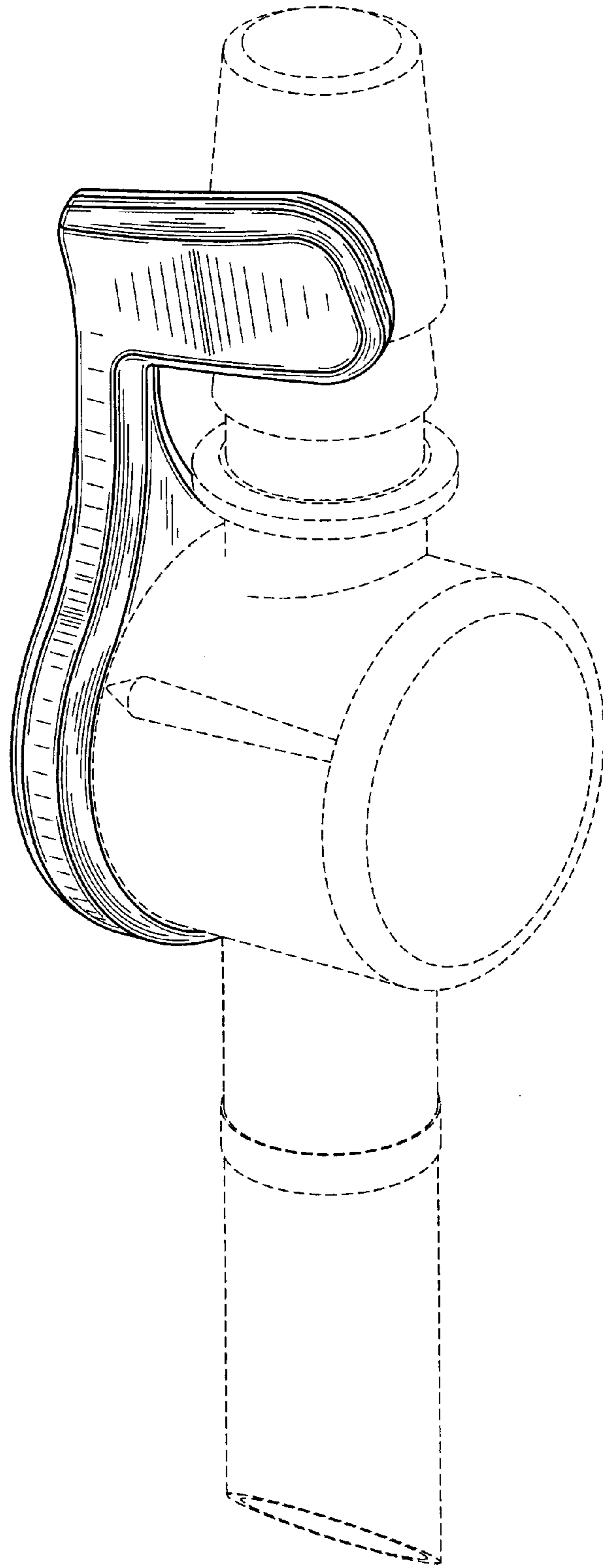


FIG. 2

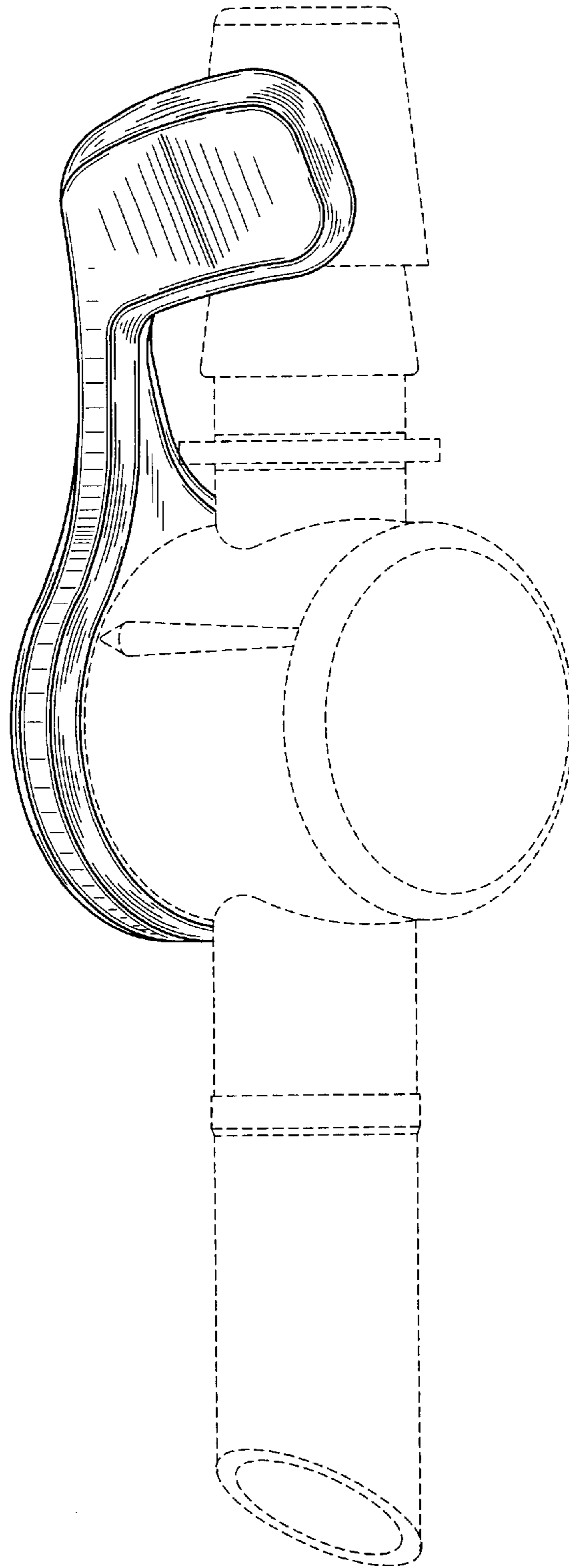


FIG. 3

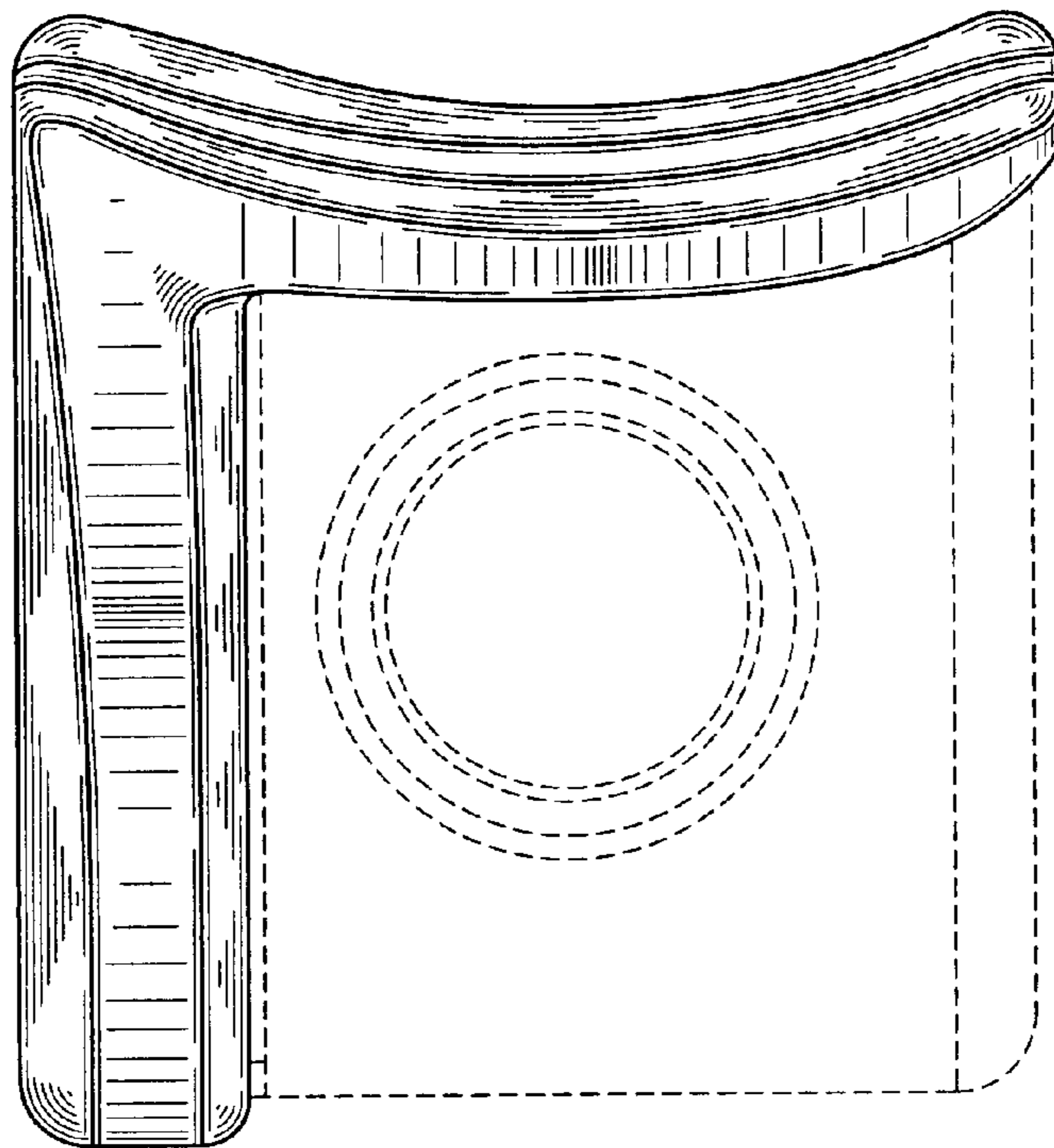


FIG. 4

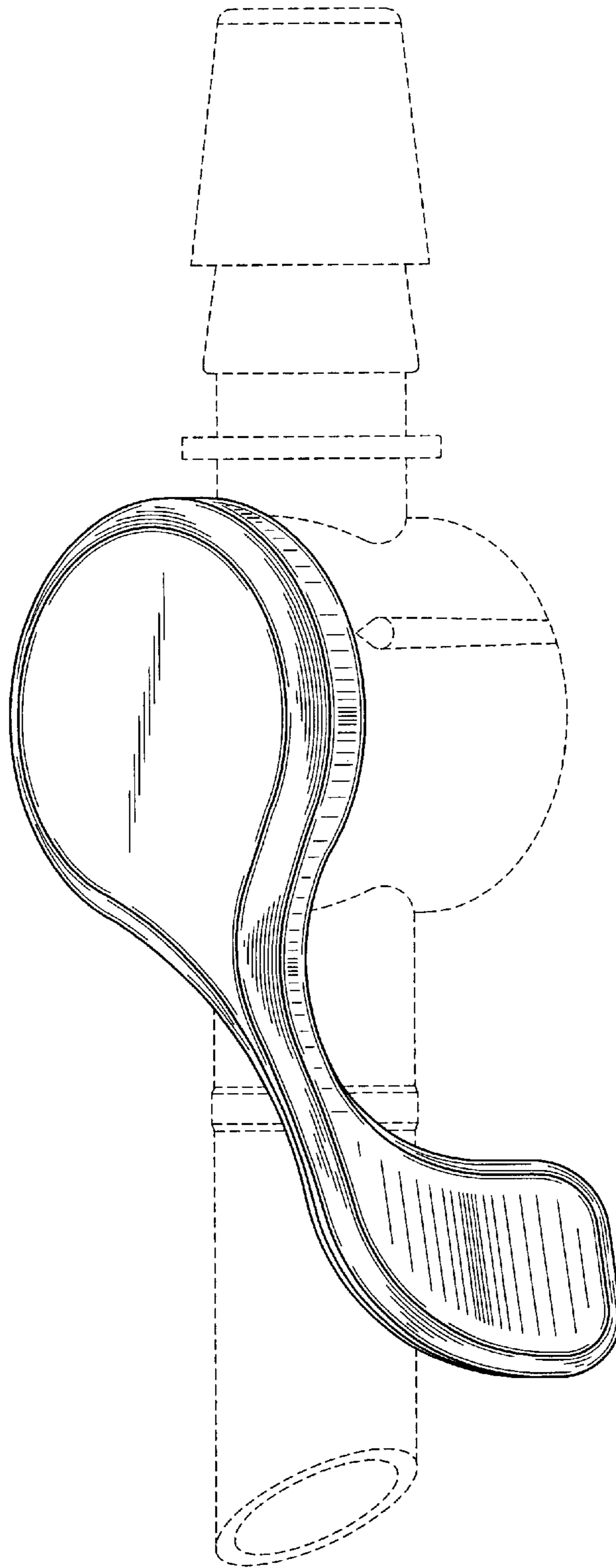


FIG. 5

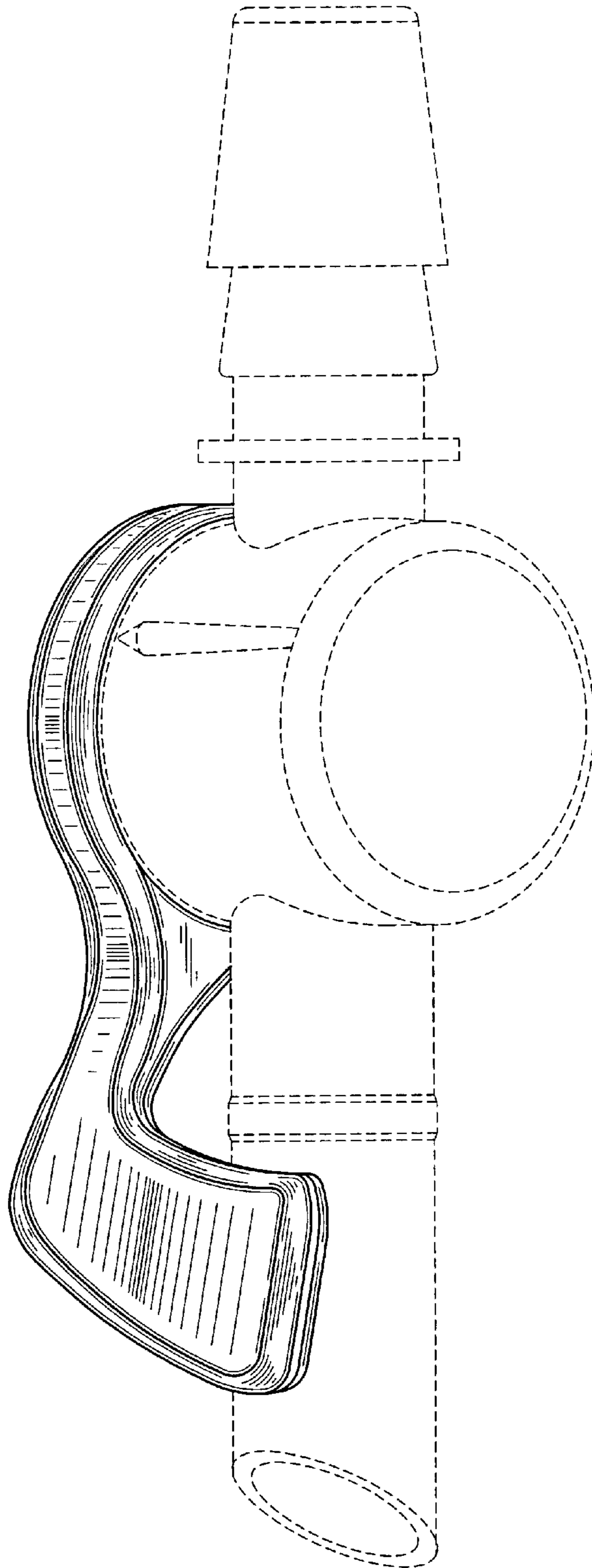


FIG. 6

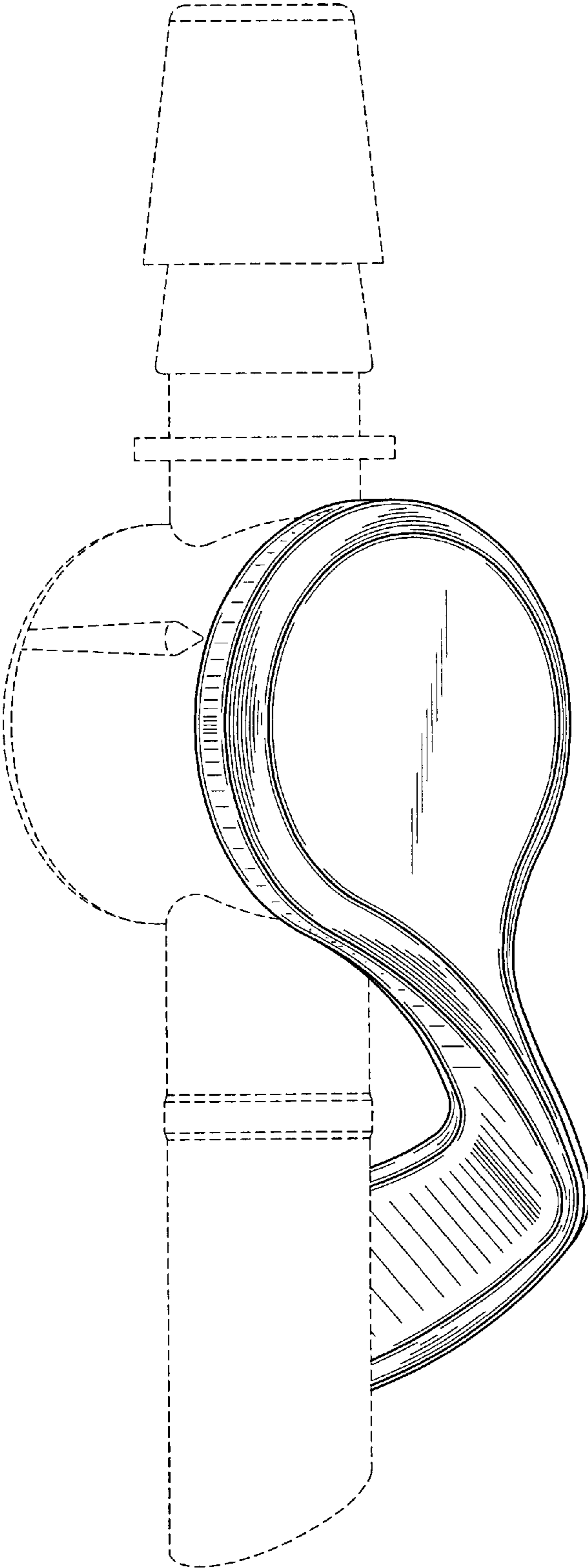


FIG. 7

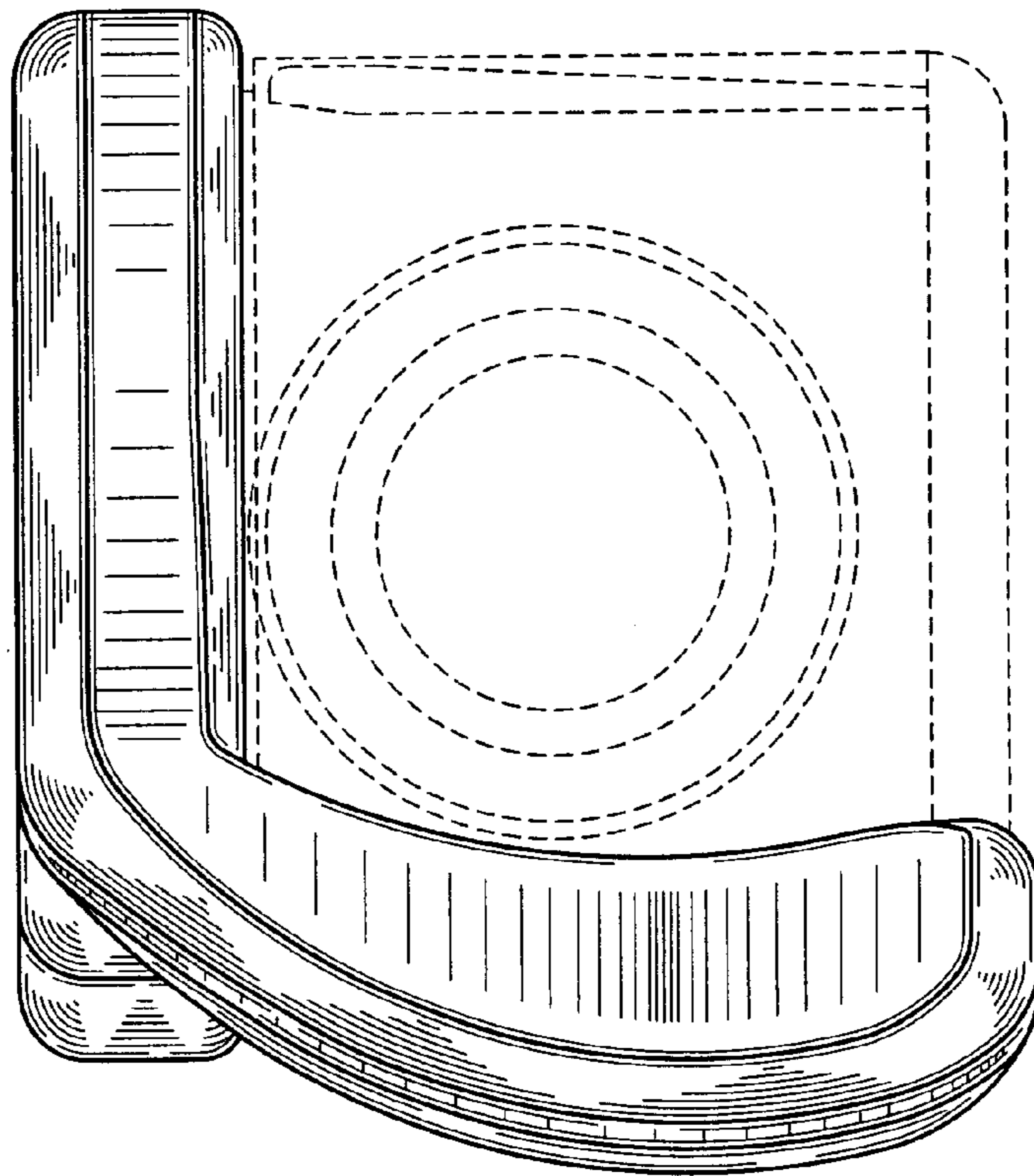


FIG. 8

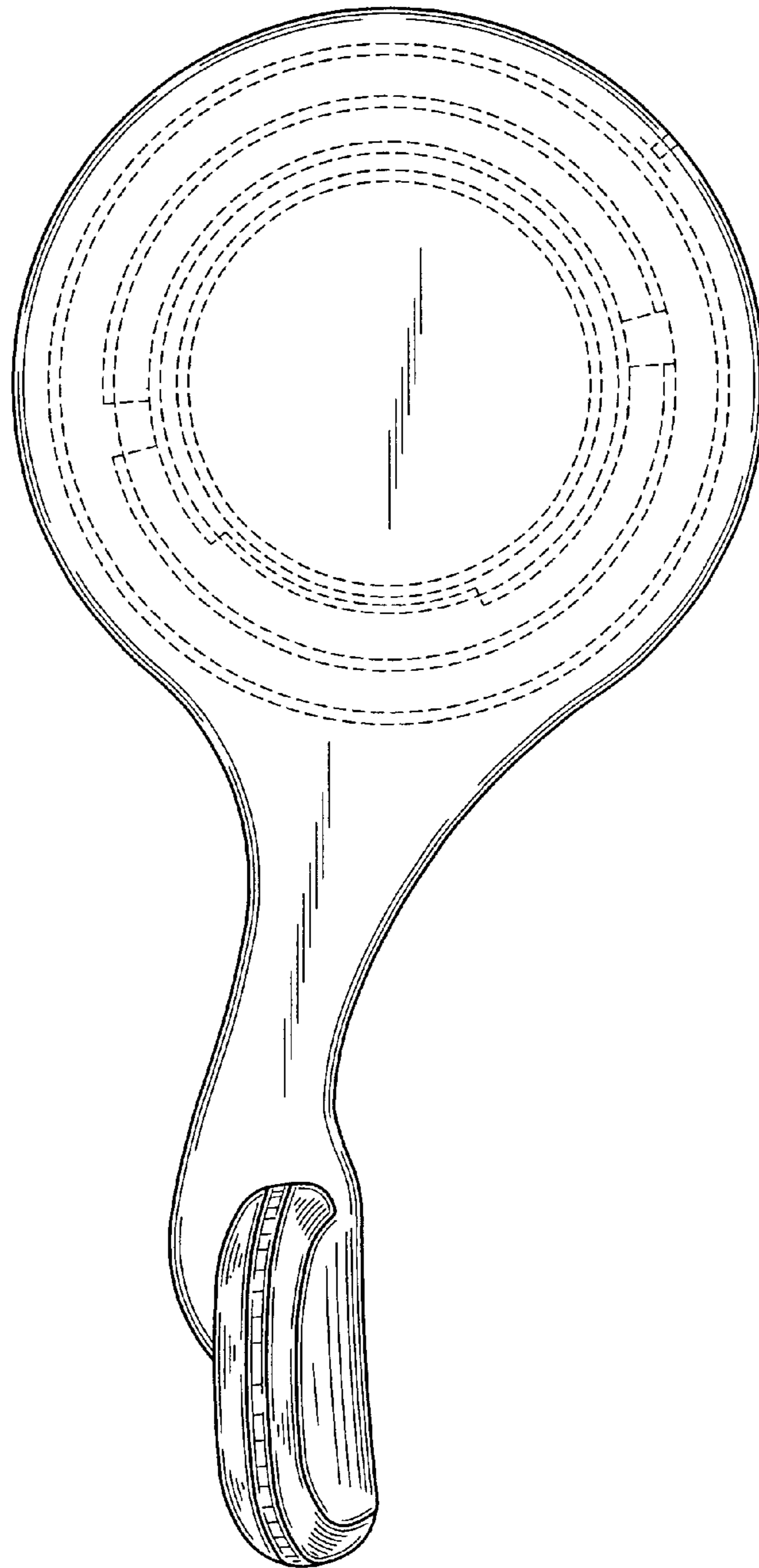


FIG. 9