



US00D541377S

(12) **United States Design Patent**
Chen

(10) **Patent No.:** **US D541,377 S**

(45) **Date of Patent:** **** Apr. 24, 2007**

(54) **WATER SPRAYER CONTROL DEVICE**

(75) **Inventor:** **Chin-Yuan Chen, Lu Kang Chen (TW)**

(73) **Assignee:** **Shin Tai Spurt Water of the Garden Tools Co., Ltd., Lu Kang Chen (TW)**

(**) **Term:** **14 Years**

(21) **Appl. No.:** **29/239,069**

(22) **Filed:** **Sep. 26, 2005**

(51) **LOC (8) Cl.** **23-01**

(52) **U.S. Cl.** **D23/223**

(58) **Field of Classification Search** D23/213,
D23/226; 239/525-7, 459; 251/99

See application file for complete search history.

(56) **References Cited**

U.S. PATENT DOCUMENTS

- 2,291,049 A * 7/1942 Magnuson 251/237
- D156,676 S * 12/1949 Skidmore D9/688
- 6,032,922 A * 3/2000 Shew 251/99

- D458,664 S * 6/2002 Wang D23/226
- D475,436 S * 6/2003 Kuo D23/223
- D503,456 S * 3/2005 Chen D23/223

* cited by examiner

Primary Examiner—Robin Webster

(74) *Attorney, Agent, or Firm*—Alan D. Kamrath; Nikolai & Mersereau, P.A.

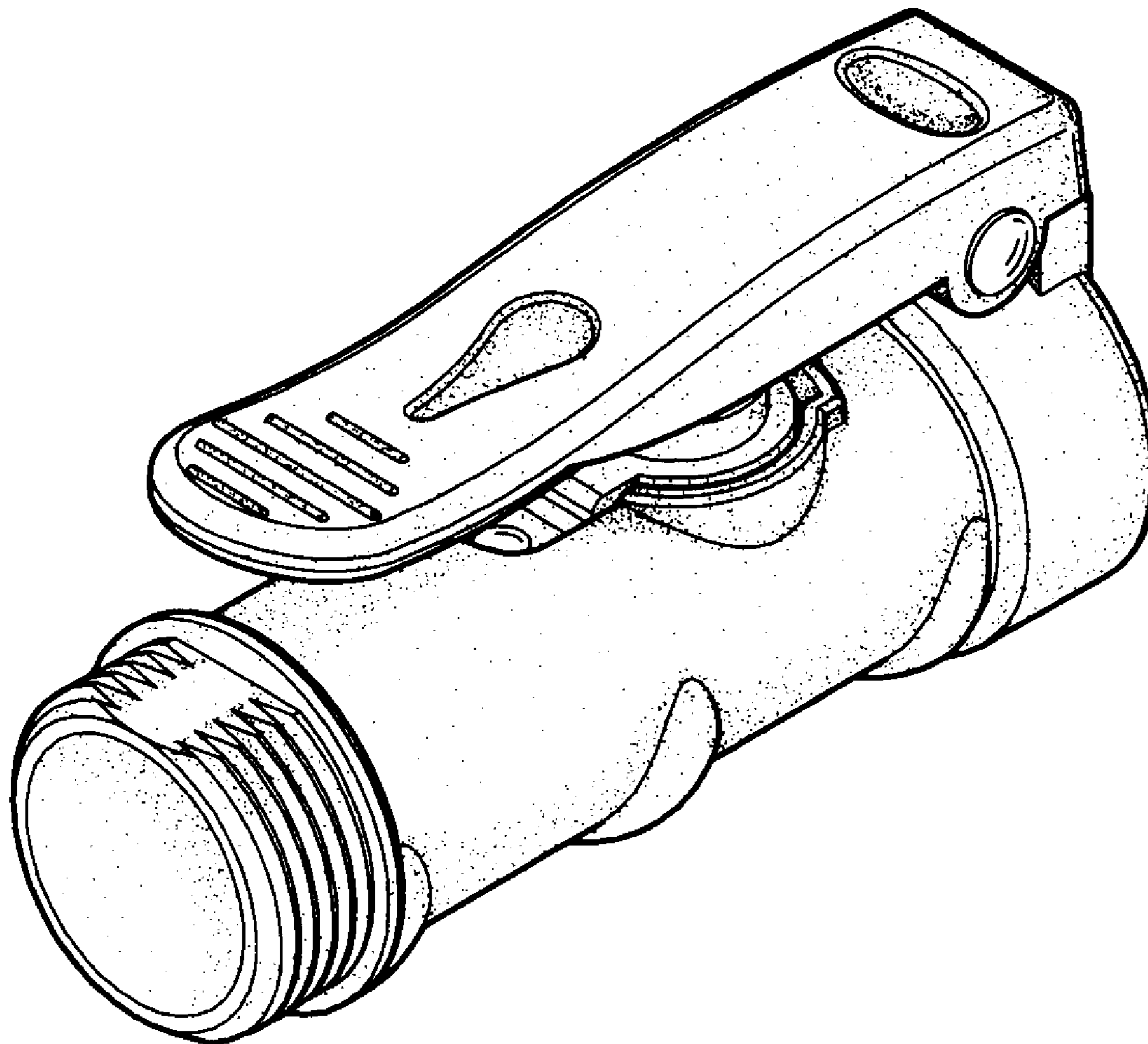
(57) **CLAIM**

The ornamental design for a water sprayer control device, as shown and described.

DESCRIPTION

FIG. 1 is a perspective view of a water sprayer control device showing my design;
 FIG. 2 is a front elevational view thereof;
 FIG. 3 is a rear elevational view thereof;
 FIG. 4 is a left side elevational view thereof;
 FIG. 5 is a right side elevational view thereof;
 FIG. 6 is a top plan view thereof; and,
 FIG. 7 is a bottom plan view thereof.

1 Claim, 4 Drawing Sheets



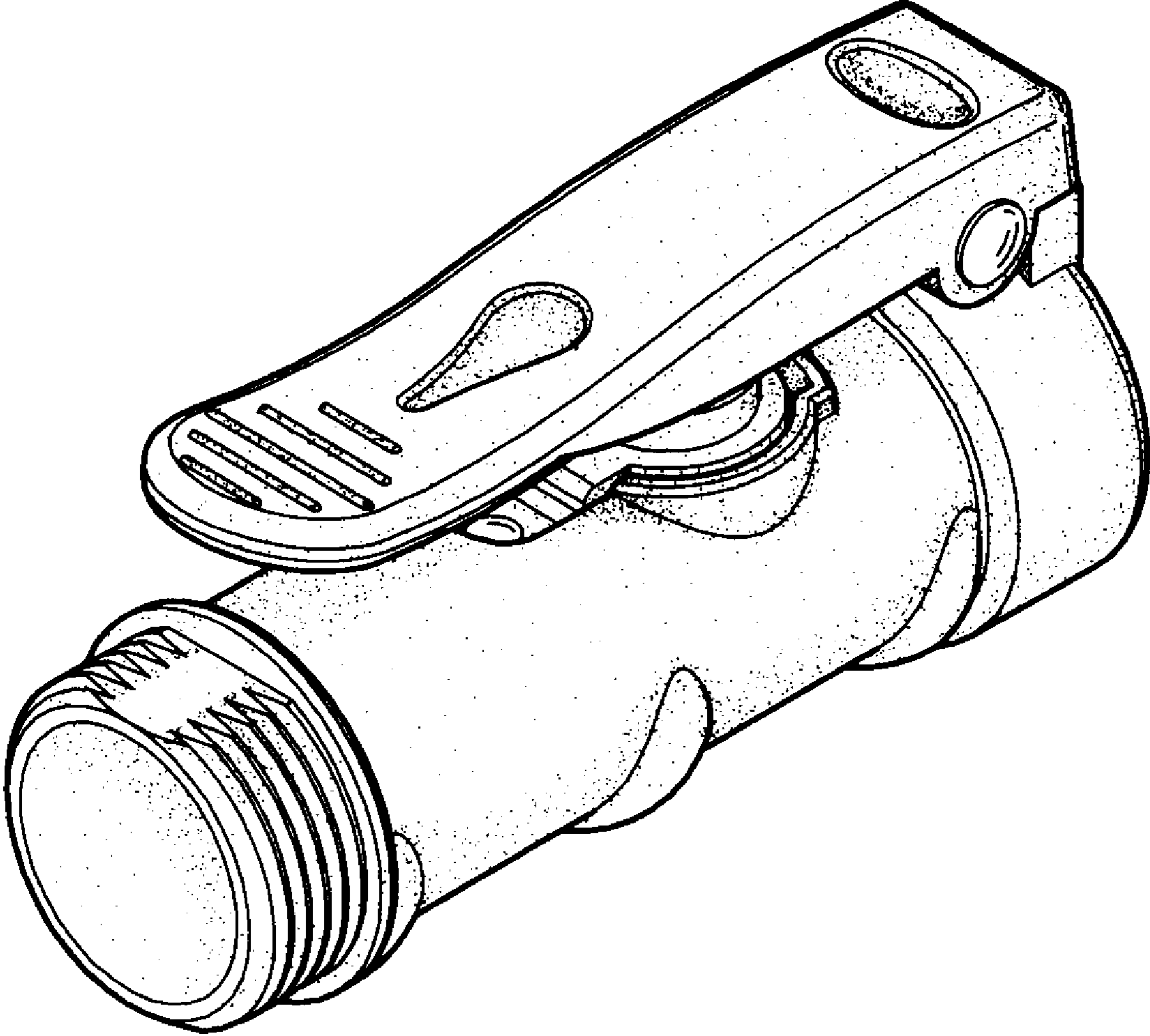


FIG. 1

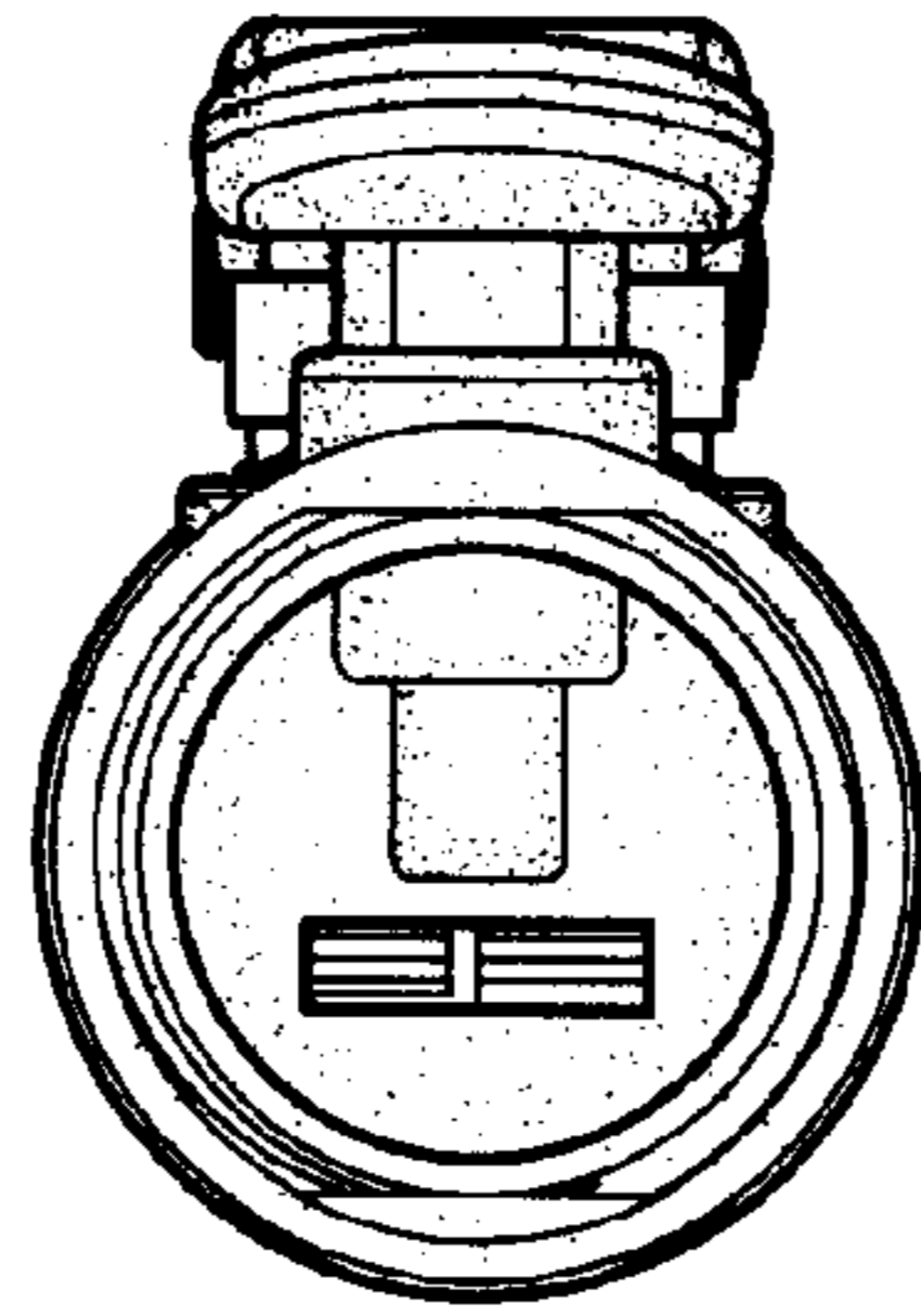


FIG. 2

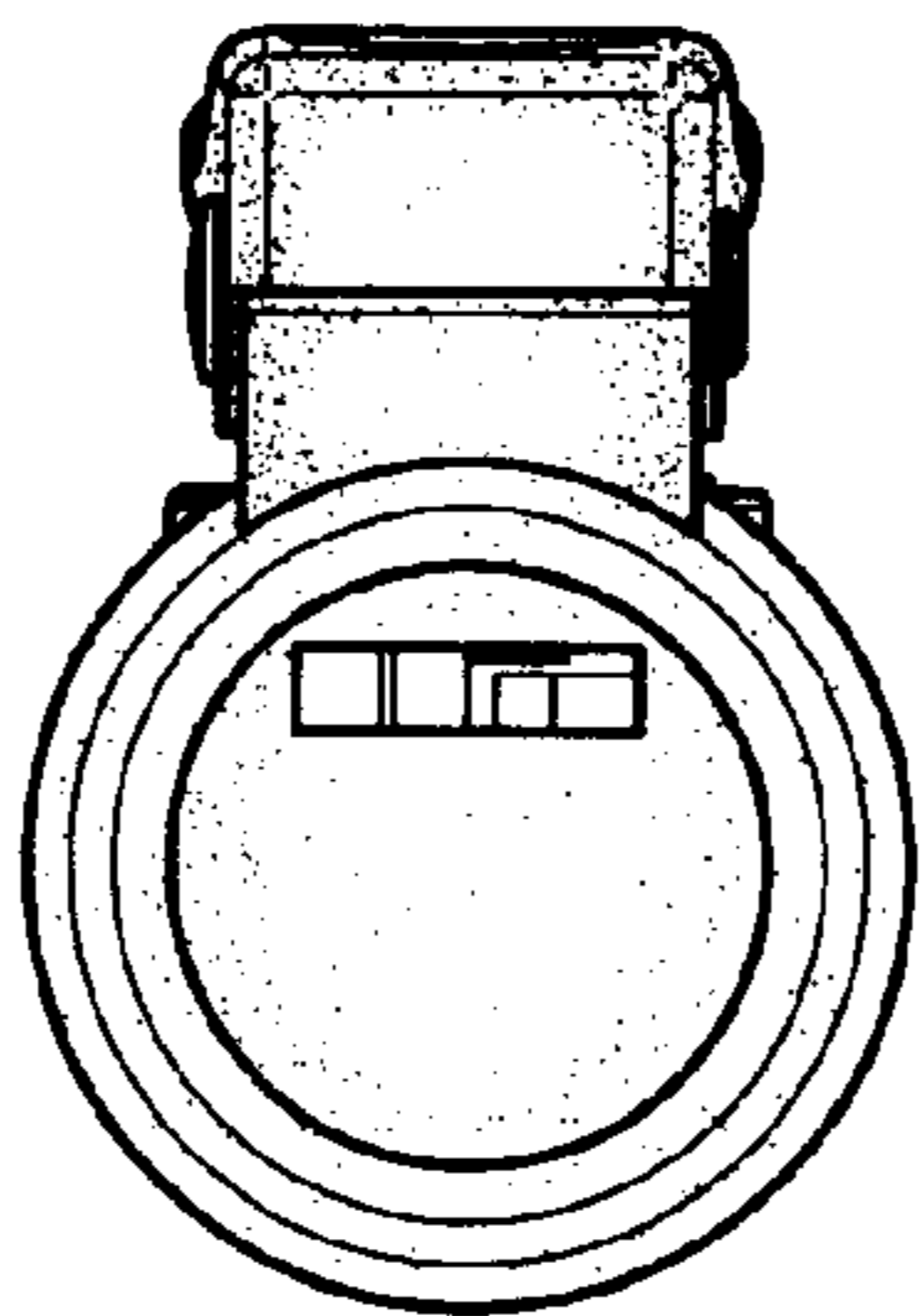


FIG. 3

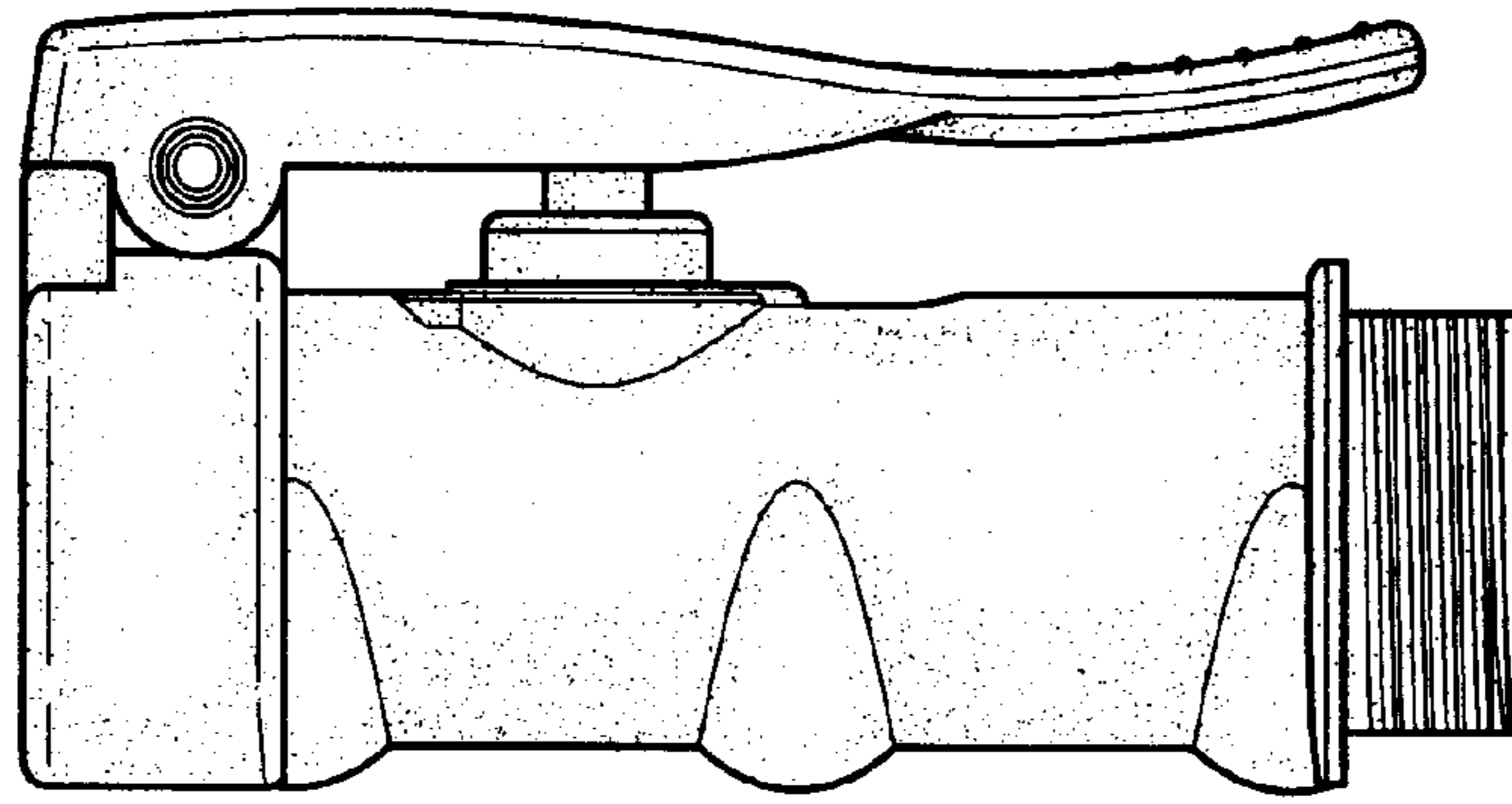


FIG. 4

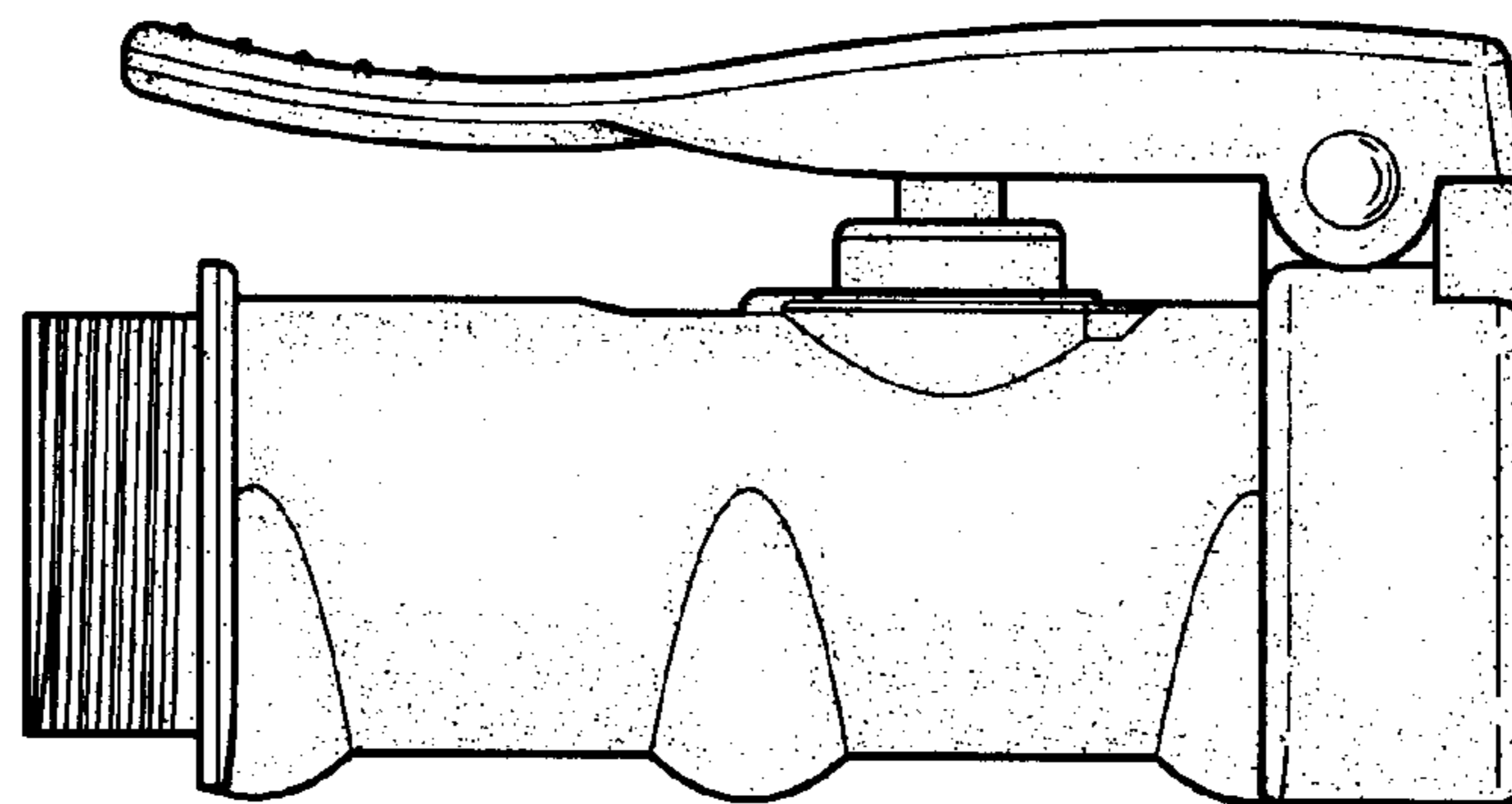


FIG. 5

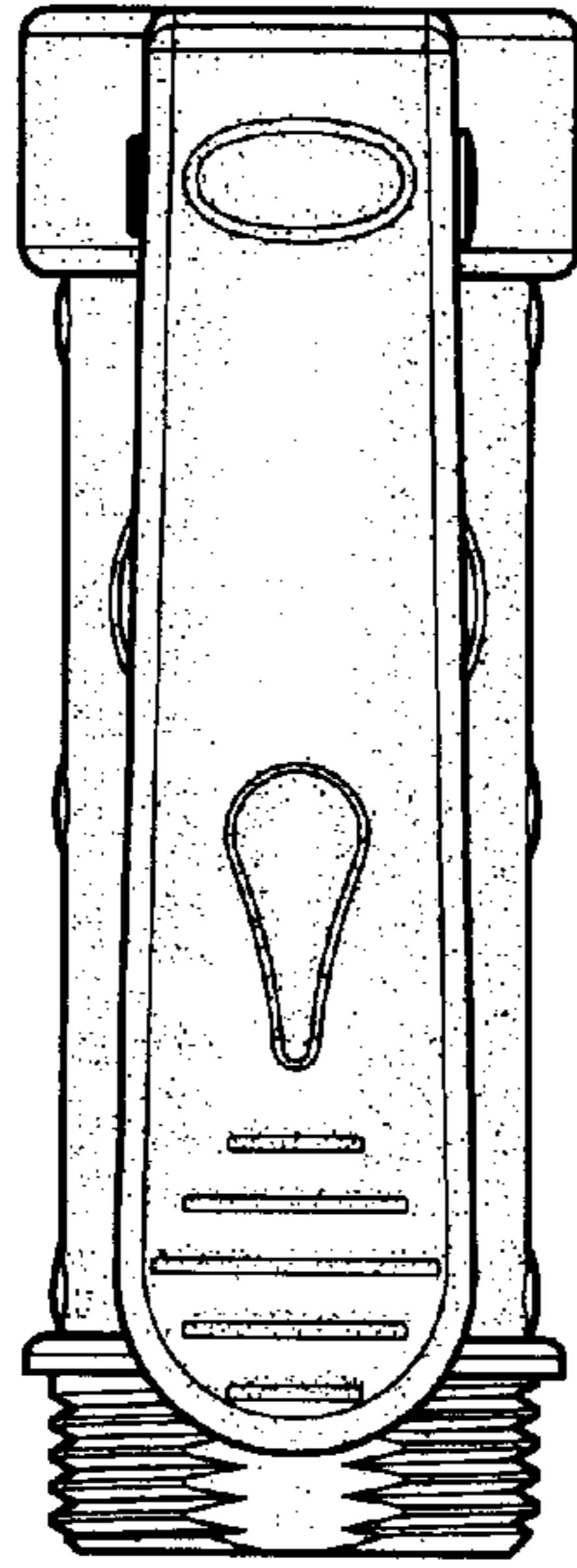


FIG. 6

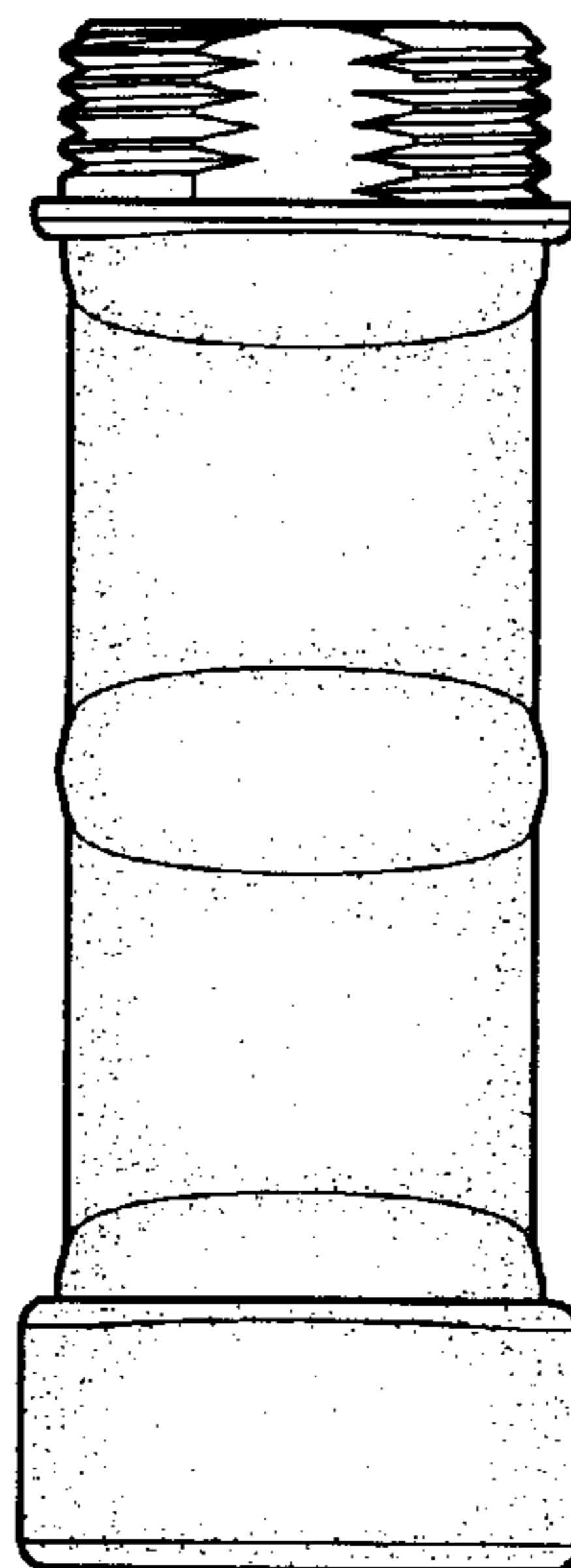


FIG. 7