



US00D541375S

(12) **United States Design Patent**  
**Büttgen**

(10) **Patent No.:** **US D541,375 S**

(45) **Date of Patent:** **\*\* Apr. 24, 2007**

(54) **FAUCET FITTING**

(75) Inventor: **Heinz Büttgen**, Bad Krozingen (DE)

(73) Assignee: **Neoperl GmbH**, Mullheim (DE)

(\*\*) Term: **14 Years**

(21) Appl. No.: **29/235,334**

(22) Filed: **Jul. 29, 2005**

(30) **Foreign Application Priority Data**

Mar. 21, 2005 (EM) ..... 000314208

(51) **LOC (8) Cl.** ..... **23-01**

(52) **U.S. Cl.** ..... **D23/213**

(58) **Field of Classification Search** ..... D23/213,  
D23/249; 239/428.5; 261/DIG. 22  
See application file for complete search history.

(56) **References Cited**

**U.S. PATENT DOCUMENTS**

2,849,217 A \* 8/1958 Bachli et al. .... 261/76  
3,364,648 A \* 1/1968 Lemelson ..... 53/410  
3,796,377 A \* 3/1974 O'Hare ..... 239/428.5

4,214,702 A \* 7/1980 Shames et al. .... 239/110  
4,221,338 A \* 9/1980 Shames et al. .... 239/428.5  
4,470,546 A \* 9/1984 Wildfang ..... 239/428.5  
5,769,326 A \* 6/1998 Muchenberger et al. . 239/428.5

\* cited by examiner

*Primary Examiner*—Robin Webster

(74) *Attorney, Agent, or Firm*—Volpe & Koenig, P.C.

(57) **CLAIM**

The ornamental design for faucet fitting, as shown and described.

**DESCRIPTION**

FIG. 1 is a perspective view of a faucet fitting showing an embodiment of my new design;

FIG. 2 is a perspective view of the faucet fitting of FIG. 1 in an extended position;

FIG. 3 is an elevational view of the faucet fitting of FIG. 1;

FIG. 4 is a bottom plan view of the faucet fitting of FIG. 1;

FIG. 5 is a top plan view of the faucet fitting of FIG. 1; and,

FIG. 6 is an elevational view of the faucet fitting of FIG. 1 in an extended position.

**1 Claim, 4 Drawing Sheets**

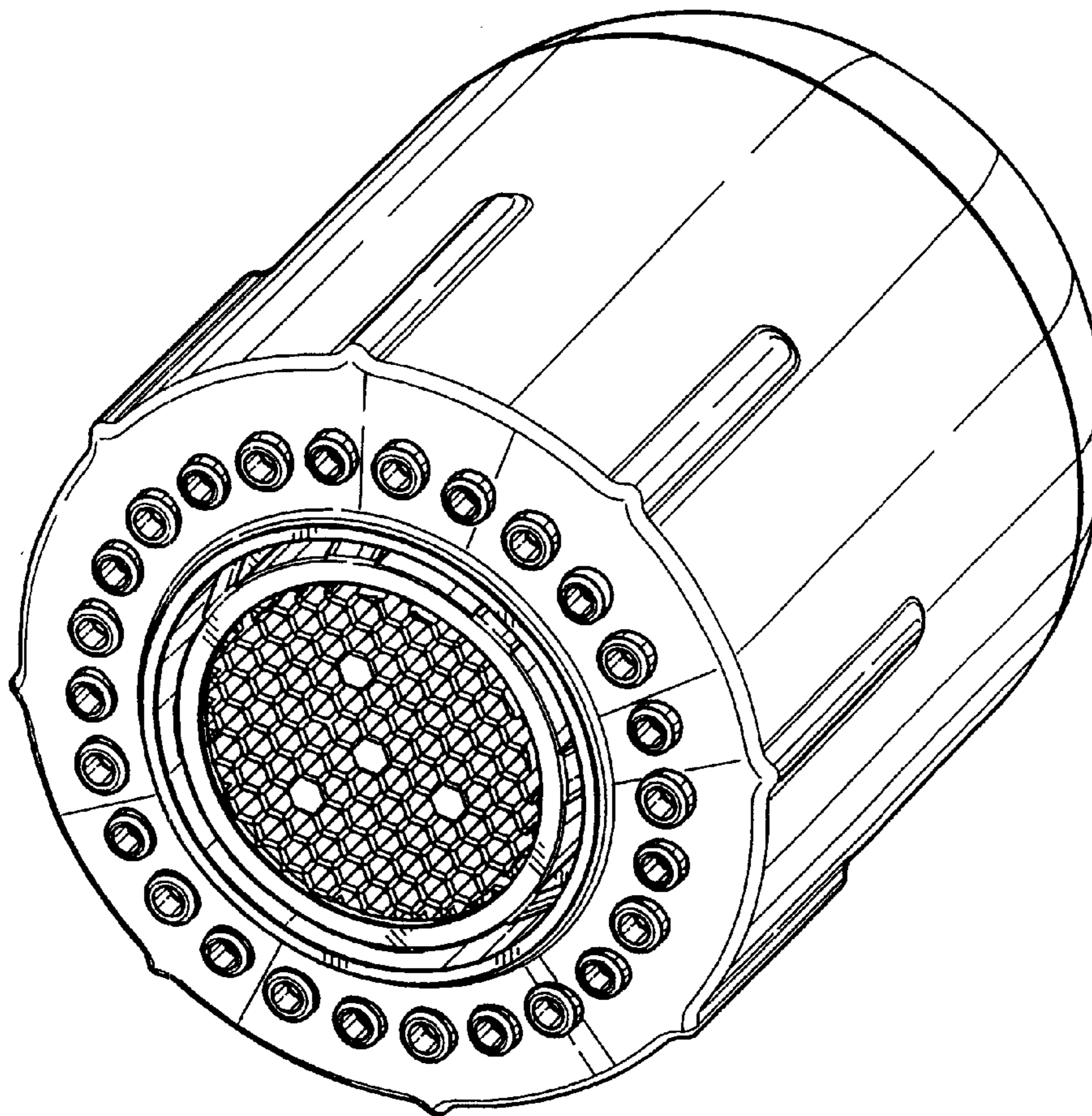


FIG. 1

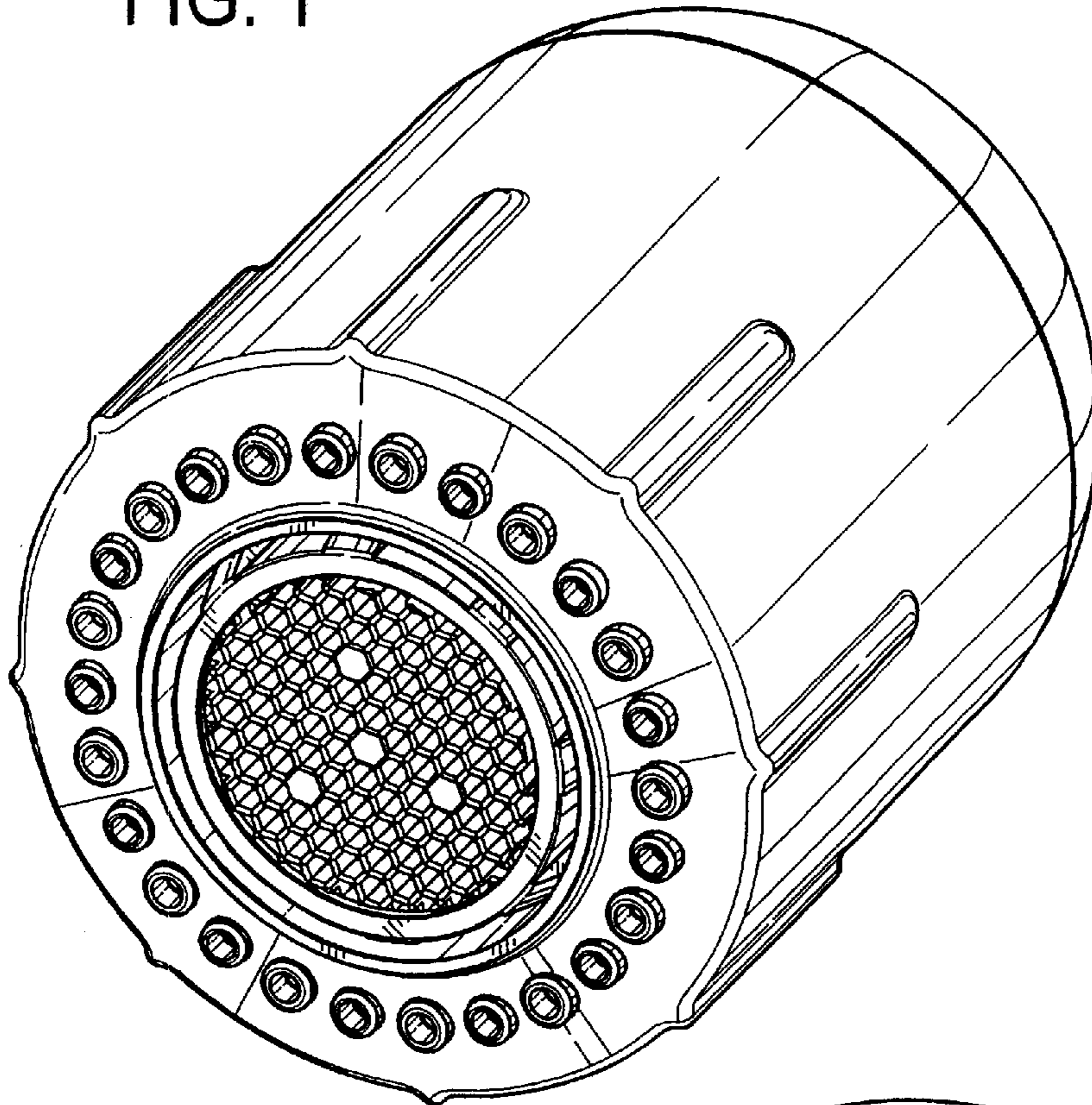


FIG. 2

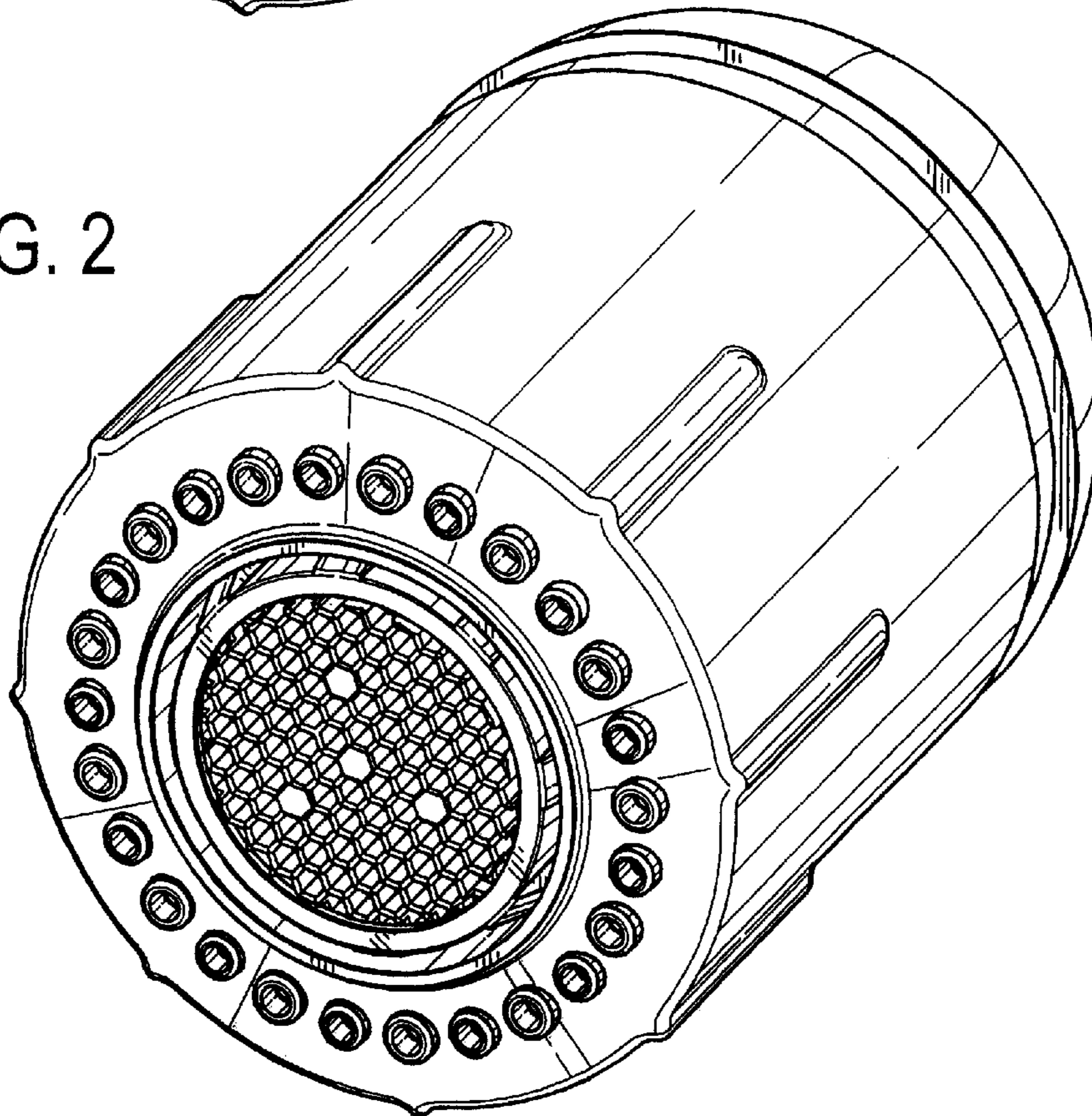


FIG. 3

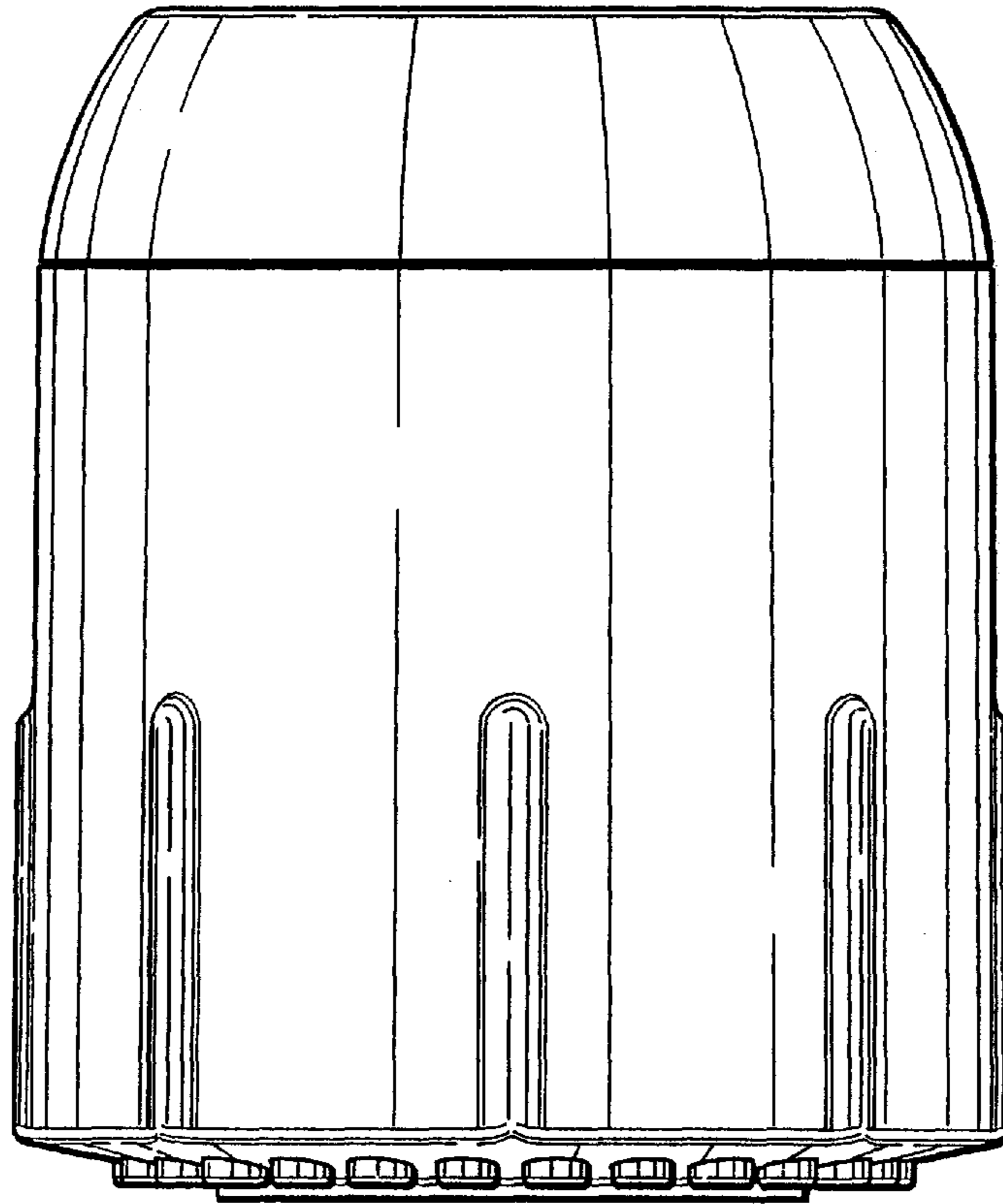


FIG. 4

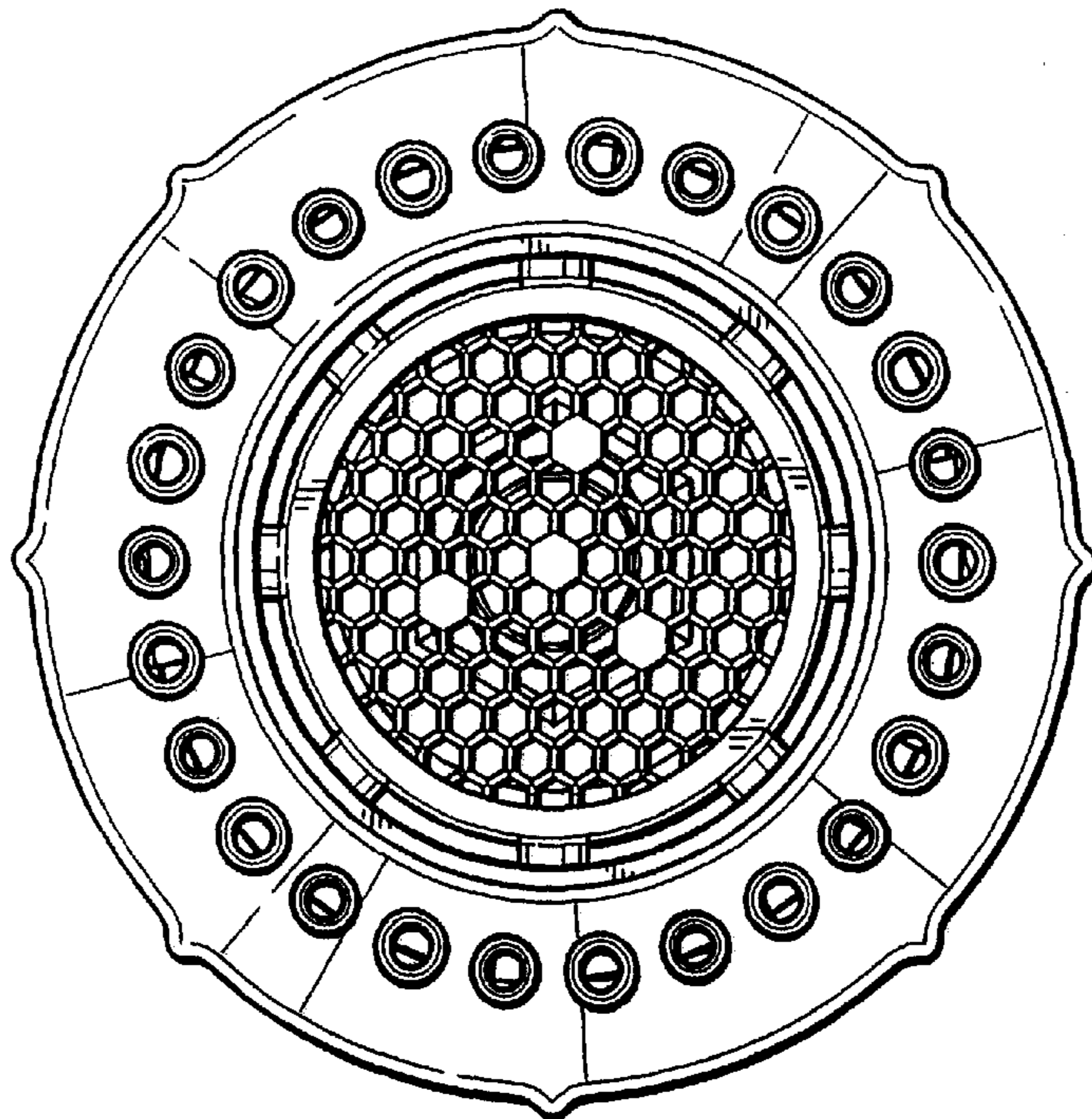


FIG. 5

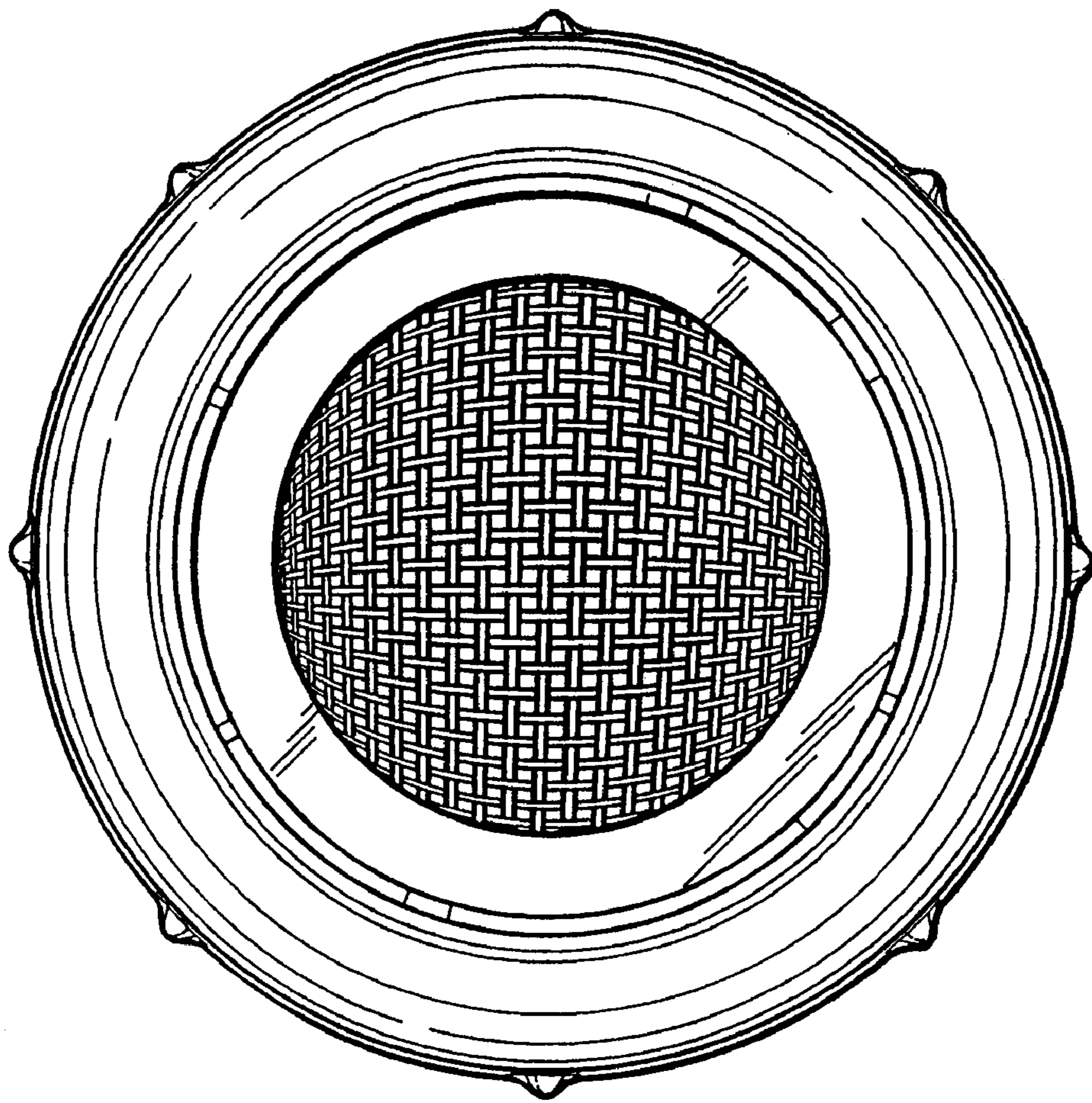


FIG. 6

