

US00D541372S

(12) **United States Design Patent** (10) **Patent No.:** **US D541,372 S**
Warren et al. (45) **Date of Patent:** **** Apr. 24, 2007**

(54) **WATER FILTER**

OTHER PUBLICATIONS

(75) Inventors: **William Warren**, Shaker Heights, OH (US); **Gordon Lewis**, Needham, MA (US); **Louis F. Genatossio**, Shrewsbury, MA (US); **Robert Rizzari**, Billerica, MA (US)

U.S. Appl. No. 11/264,239, filed Nov. 1, 2005, Warren et al.
U.S. Appl. No. 11/256,133, filed Oct. 21, 2005, Warren et al.
U.S. Appl. No. 11/256,403, filed Oct. 21, 2005, Warren et al.
U.S. Appl. No. 11/256,132, filed Oct. 21, 2005, Warren et al.
U.S. Appl. No. 11/255,670, filed Oct. 21, 2005, Warren et al.
U.S. Appl. No. 11/255,715, filed Oct. 21, 2005, Warren et al.
U.S. Appl. No. 11/256,064, filed Oct. 21, 2005, Warren et al.
www.torayvino.com web page dated Jun. 6, 2003 along with a translation into English, 14 pages.
www.purwater.com web page dated Aug. 22, 2002, 11 pages.
Pur advertisement, 2 pages.

(73) Assignee: **Clarity Filters LLC**, Needham, MA (US)

(**) Term: **14 Years**

Primary Examiner—Robin Webster
(74) *Attorney, Agent, or Firm*—Woodling, Krost and Rust

(21) Appl. No.: **29/241,767**

(22) Filed: **Nov. 1, 2005**

(51) **LOC (8) Cl.** **23-01**

(52) **U.S. Cl.** **D23/209**

(58) **Field of Classification Search** D23/207–209;
210/460–1, 449, 235

See application file for complete search history.

(57) **CLAIM**

The ornamental design for a water filter, as shown and described.

DESCRIPTION

FIG. 1 is a perspective view of our design.
FIG. 2 is a front view of our design.
FIG. 3 is a left side view of our design.
FIG. 4 is a right side view of our design.
FIG. 5 is a top view of our design.
FIG. 6 is a bottom view of our design.
FIG. 7 is a rear view of our design.
FIG. 8 is a perspective view of the second embodiment of our design.
FIG. 9 is a front view of the second embodiment of our design.
FIG. 10 is a left side view of the second embodiment of our design.
FIG. 11 is a right side view of the second embodiment of our design.
FIG. 12 is a top view of the second embodiment of our design.
FIG. 13 is a bottom view of the second embodiment of our design; and,
FIG. 14 is a rear view of the second embodiment of our design.

(56) **References Cited**

U.S. PATENT DOCUMENTS

527,451	A	10/1894	Richards
597,668	A	1/1898	Davison
2,568,181	A	9/1951	Zimmerman
2,955,712	A	10/1960	Gutkowski
3,420,266	A	1/1969	Downey
3,443,753	A	5/1969	McDonnell

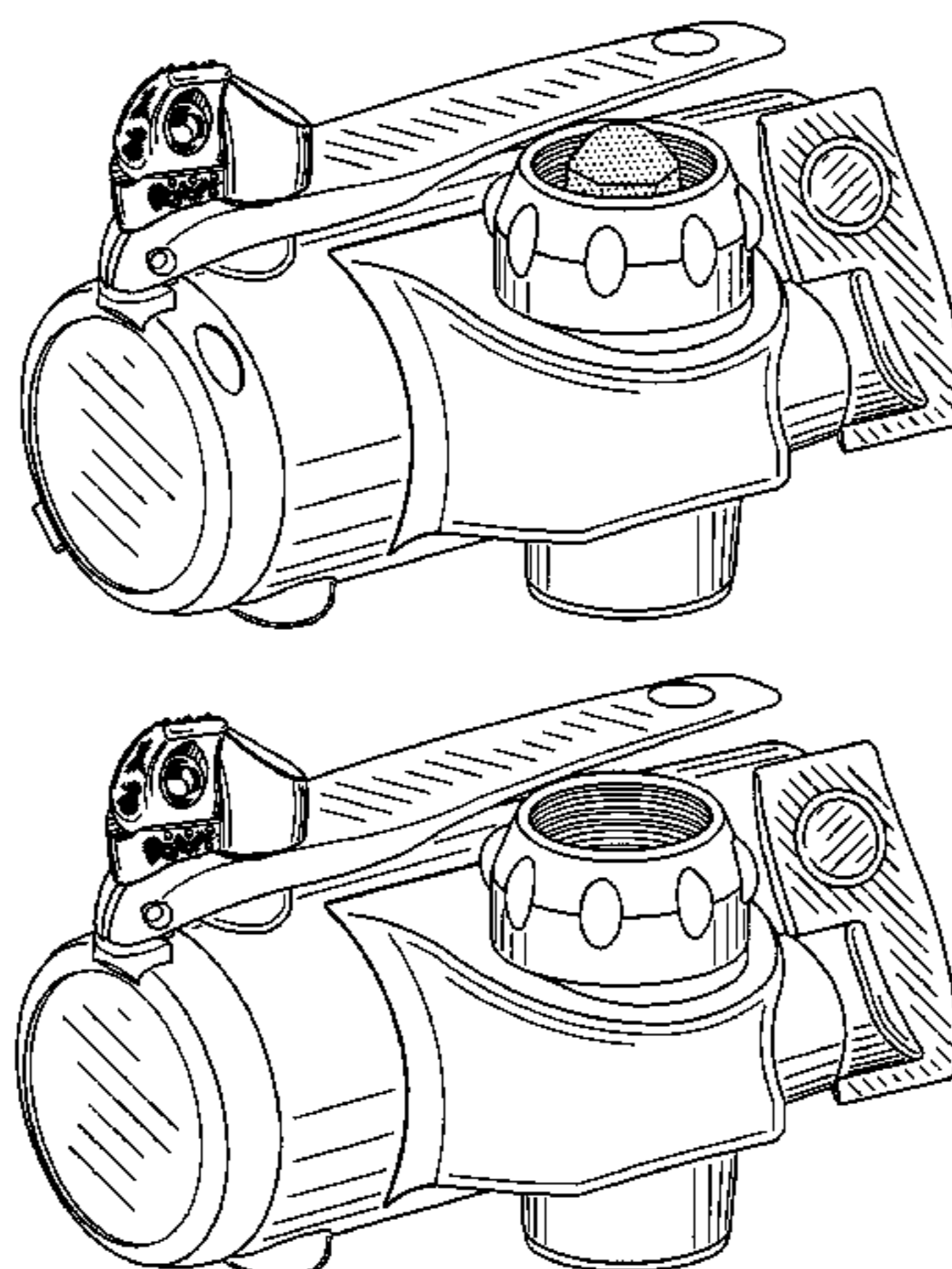
(Continued)

FOREIGN PATENT DOCUMENTS

EP	0 537 528	A1	4/1993
GB	2093005		8/1982
JP	58-134286		8/1983
JP	58-187666		11/1983
JP	62-180176		8/1987
JP	62-155380		10/1987

(Continued)

1 Claim, 8 Drawing Sheets



US D541,372 S

U.S. PATENT DOCUMENTS

			5,653,868 A	8/1997	Yanou et al.		
			RE35,667 E	11/1997	Heiligmann		
3,746,171 A	7/1973	Thomsen	5,685,981 A	11/1997	Koslow		
3,853,761 A	12/1974	McClory	5,705,067 A	1/1998	Sumi		
3,857,277 A	12/1974	Moore	5,721,383 A	2/1998	Franklin		
4,107,046 A	8/1978	Corder	5,753,118 A	5/1998	Yang		
4,147,631 A	4/1979	Deines	5,785,844 A	7/1998	Lund		
4,151,092 A	4/1979	Grimm	D398,369 S	9/1998	Hayes		
4,172,796 A	10/1979	Corder	D398,703 S	9/1998	Hayes		
D256,944 S	9/1980	Fox	5,833,849 A	11/1998	Primdahl		
4,264,036 A	4/1981	Moore	5,876,610 A	3/1999	Clack et al.		
4,359,384 A	11/1982	Brane	5,888,381 A	3/1999	Primdahl et al.		
4,379,053 A	4/1983	Brane	D410,728 S	6/1999	Kurth		
4,489,616 A	12/1984	Priddy	5,928,504 A	7/1999	Hembree et al.		
4,504,389 A	3/1985	Rundzaitis	5,935,426 A	8/1999	Giordano		
4,656,873 A	4/1987	Stewart	5,976,362 A	11/1999	Wadsworth		
4,681,677 A	7/1987	Kuh	5,976,432 A	11/1999	Yang		
4,686,037 A	8/1987	Lang	5,979,668 A	11/1999	Kane et al.		
4,698,164 A	10/1987	Ellis	5,989,425 A	11/1999	Yonezawa		
4,735,716 A	4/1988	Petrucci et al.	5,993,648 A	11/1999	Hunter et al.		
D296,925 S	7/1988	Groezinger	6,001,249 A	12/1999	Bailey et al.		
4,769,135 A	9/1988	Norton	6,024,867 A	2/2000	Parise		
4,770,768 A	9/1988	Lang	6,093,313 A	7/2000	Bovaird		
4,772,386 A	9/1988	Grout	6,106,705 A	8/2000	Giordano		
4,806,240 A	2/1989	Giordano et al.	6,123,837 A	9/2000	Wadsworth		
4,848,164 A	7/1989	Quarve et al.	6,135,154 A	10/2000	Chen et al.		
4,877,521 A	10/1989	Petrucci et al.	6,149,801 A	11/2000	Giordano		
4,885,081 A	12/1989	Oliver	D438,592 S	3/2001	Gaston		
D306,754 S	3/1990	Petrucci et al.	D441,834 S	5/2001	McGrath		
D306,755 S	3/1990	Petrucci et al.	6,241,103 B1	6/2001	Hembree		
4,918,426 A	4/1990	Butts et al.	6,241,880 B1	6/2001	Yahr		
4,934,597 A	6/1990	Crutcher	6,251,274 B1	6/2001	Shepherd		
4,948,505 A	8/1990	Petrucci et al.	6,258,266 B1	7/2001	Riback et al.		
4,980,073 A	12/1990	Woodruff	6,284,129 B1	9/2001	Giordano		
D313,832 S	1/1991	Petrucci et al.	6,338,279 B1	1/2002	Tsataros		
D314,809 S	2/1991	Petrucci et al.	D453,952 S *	2/2002	Gaston et al. D23/209		
D315,013 S	2/1991	Petrucci et al.	6,451,202 B1	9/2002	Kuennen		
D317,040 S	5/1991	Petrucci et al.	6,464,871 B1	10/2002	Chang		
5,017,286 A	5/1991	Heiligmann	6,482,325 B1	11/2002	Corlett		
D320,256 S	9/1991	Giordano et al.	6,517,707 B2	2/2003	Giordano		
5,050,772 A	9/1991	Brane	6,517,720 B1	2/2003	Aldred		
D321,394 S	11/1991	Petrucci et al.	6,571,960 B2	6/2003	Williamson		
5,065,901 A	11/1991	Brane	D484,567 S	12/2003	Gaston		
D322,836 S	12/1991	Petrucci et al.	6,780,316 B2	8/2004	Haynes et al.		
5,089,144 A	2/1992	Ozkahyaoglu	6,797,156 B2	9/2004	Chau		
5,099,870 A	3/1992	Moore	D498,511 S *	11/2004	Warren et al. D23/209		
5,108,606 A	4/1992	Maglio	D498,512 S	11/2004	Warren		
5,126,041 A	6/1992	Weber et al.	6,926,821 B2	8/2005	Giordano et al.		
5,126,043 A	6/1992	Giordano et al.	2001/0040121 A1	11/2001	Giordano et al.		
D328,333 S	7/1992	Casberg	2001/0054583 A1	12/2001	Hembree		
D328,942 S *	8/1992	Igami et al. D23/209	2002/0005379 A1	1/2002	Williamson et al.		
5,151,179 A	9/1992	Bach	2002/0017947 A1	2/2002	Fritze		
5,151,180 A	9/1992	Giordano et al.	2002/0060175 A1	5/2002	Conrad et al.		
5,160,038 A	11/1992	Harada	2002/0189986 A1	12/2002	Kuennen et al.		
5,164,082 A	11/1992	Lin	2003/0034285 A1	2/2003	Hembree		
5,192,436 A	3/1993	Sasaki	2003/0070968 A1	4/2003	Haynes et al.		
5,248,417 A	9/1993	Reid	2003/0116495 A1	6/2003	Chau		
5,254,242 A	10/1993	van der Meer	2003/0173273 A1	9/2003	Giordano et al.		
5,256,287 A	10/1993	Underwood	2004/0026302 A1	2/2004	Lee		
5,273,650 A	12/1993	Vermes	2004/0069696 A1	4/2004	Warren et al.		
5,279,748 A	1/1994	Hackett	2005/0035054 A1	2/2005	Chun		
5,328,609 A	7/1994	Magnusson	2005/0040097 A1	2/2005	Bassett et al.		
5,337,956 A	8/1994	Crutcher	2005/0092661 A1	5/2005	Warren		
5,340,478 A	8/1994	Strand	2005/0098485 A1	5/2005	Boyd et al.		
5,525,214 A	6/1996	Hembree					
5,527,451 A	6/1996	Hembree					
5,536,394 A	7/1996	Lund					
5,540,107 A	7/1996	Silverman					
5,580,447 A	12/1996	Platter					
D377,515 S	1/1997	Hembree					
5,622,618 A	4/1997	Brane					
5,652,008 A	7/1997	Heiligmann					

FOREIGN PATENT DOCUMENTS

JP	07-116657	5/1995
JP	09-144913	6/1997
JP	09-168708	6/1997
JP	09-170670	6/1997
JP	09-253424	9/1997

US D541,372 S

Page 3

JP	09-253633	9/1997
JP	09-264436	10/1997
JP	09-264441	10/1997
JP	11-217858	8/1999
JP	11-270720	10/1999
JP	2000-210661	8/2000

JP	2000-304141	11/2000
JP	2001-162113	6/2001
JP	2003-156160	5/2003
JP	2003-156161 A	5/2003

* cited by examiner

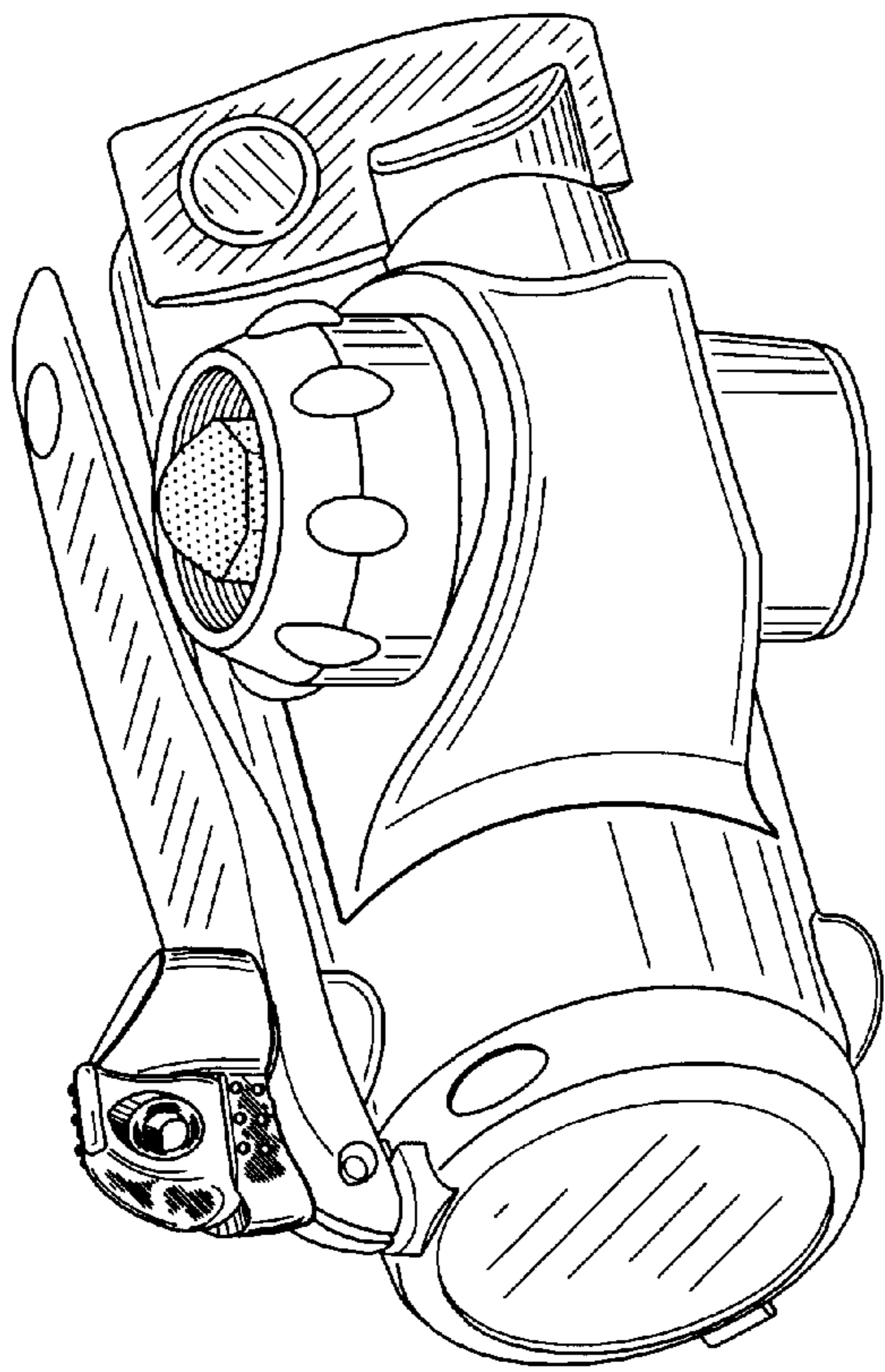


FIG. 1

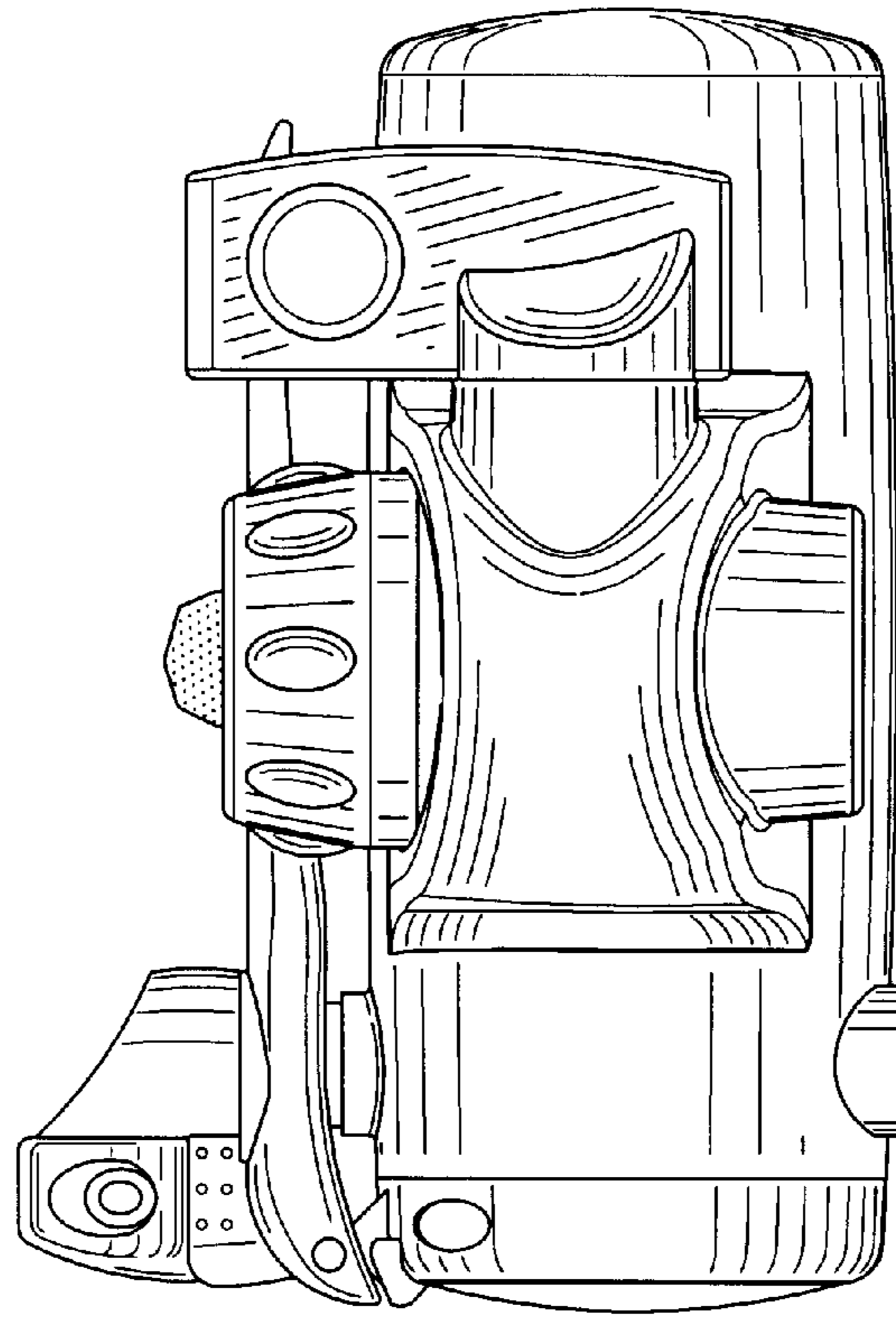


FIG. 2

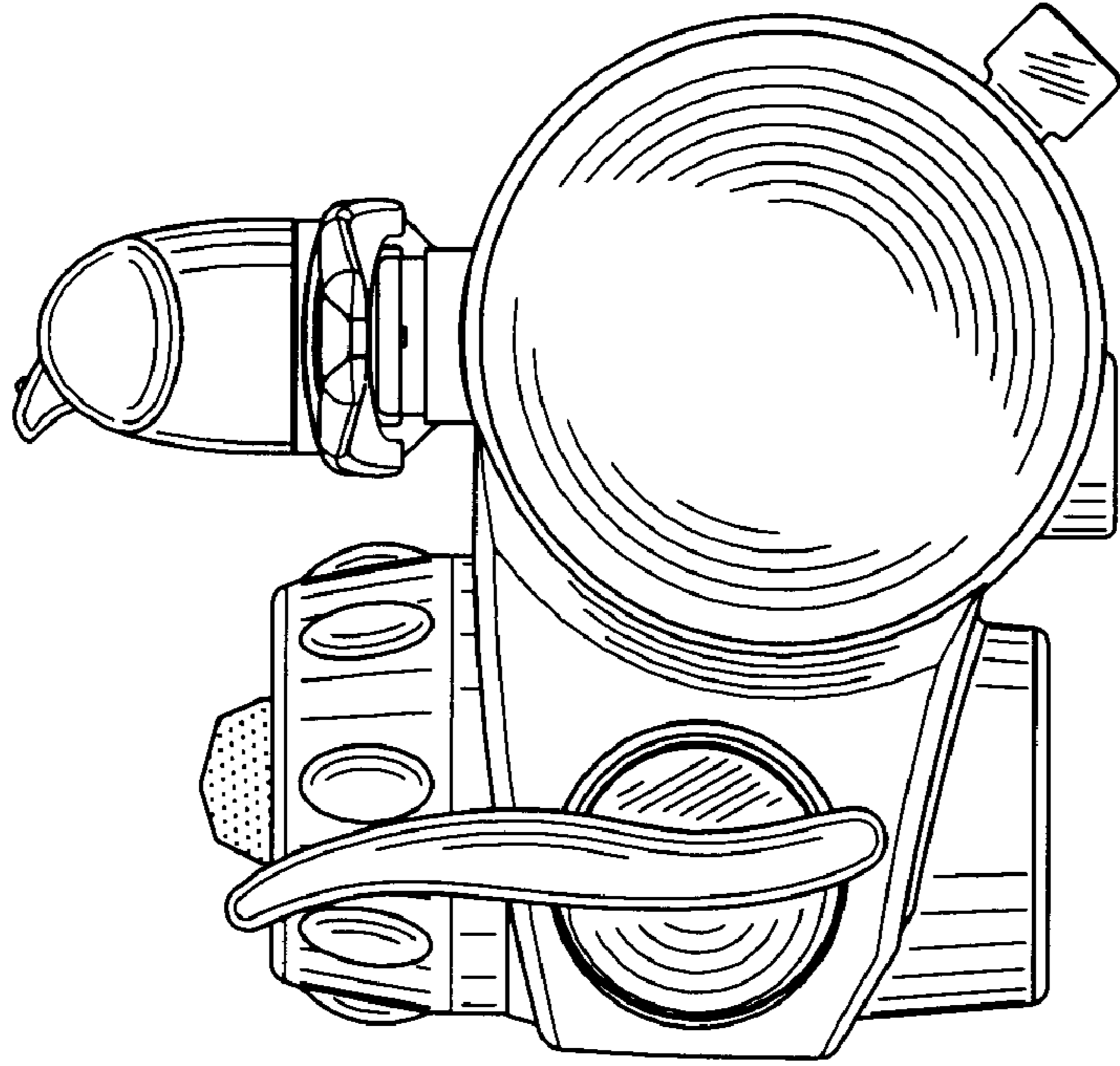


FIG. 4

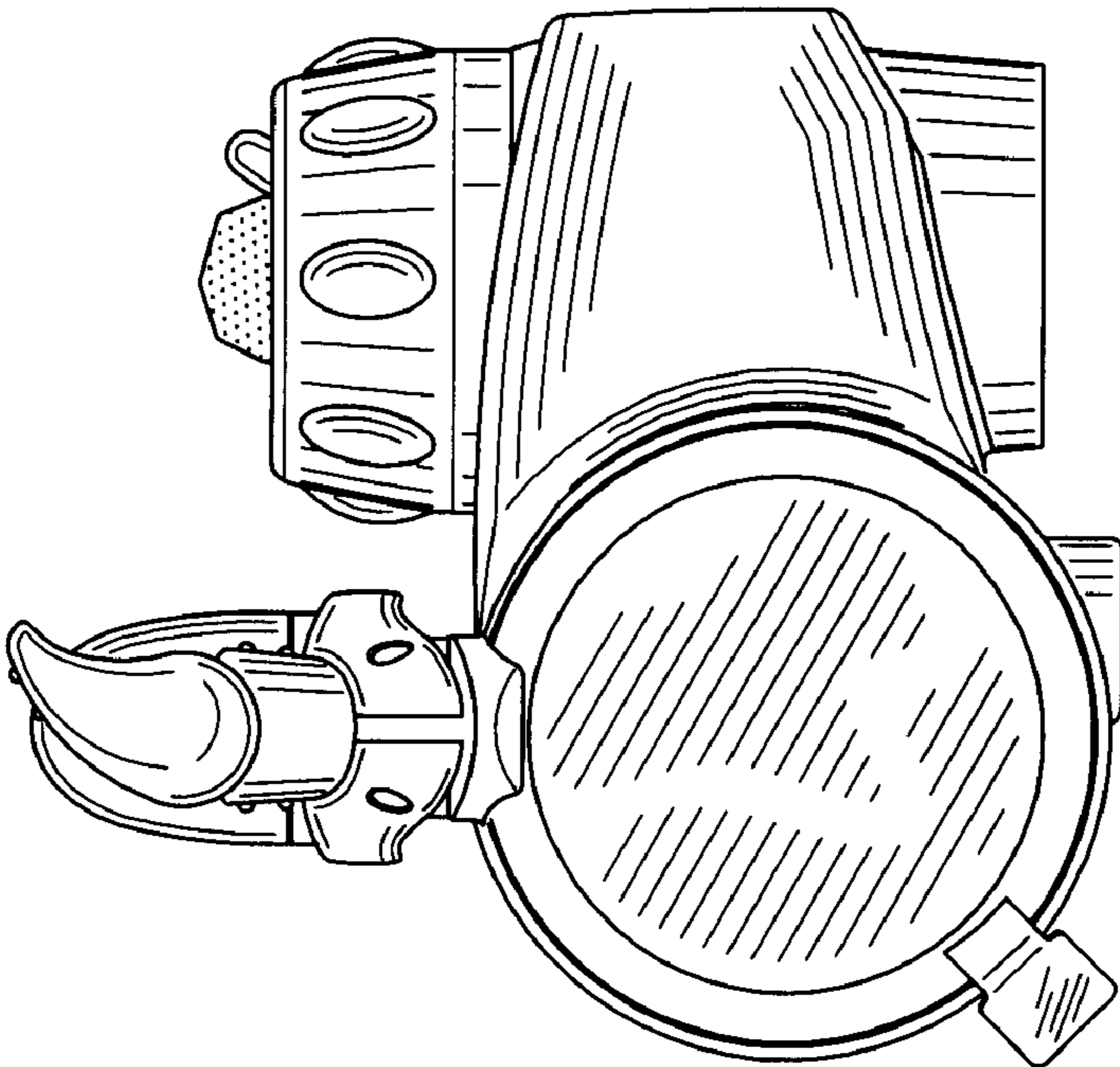


FIG. 3

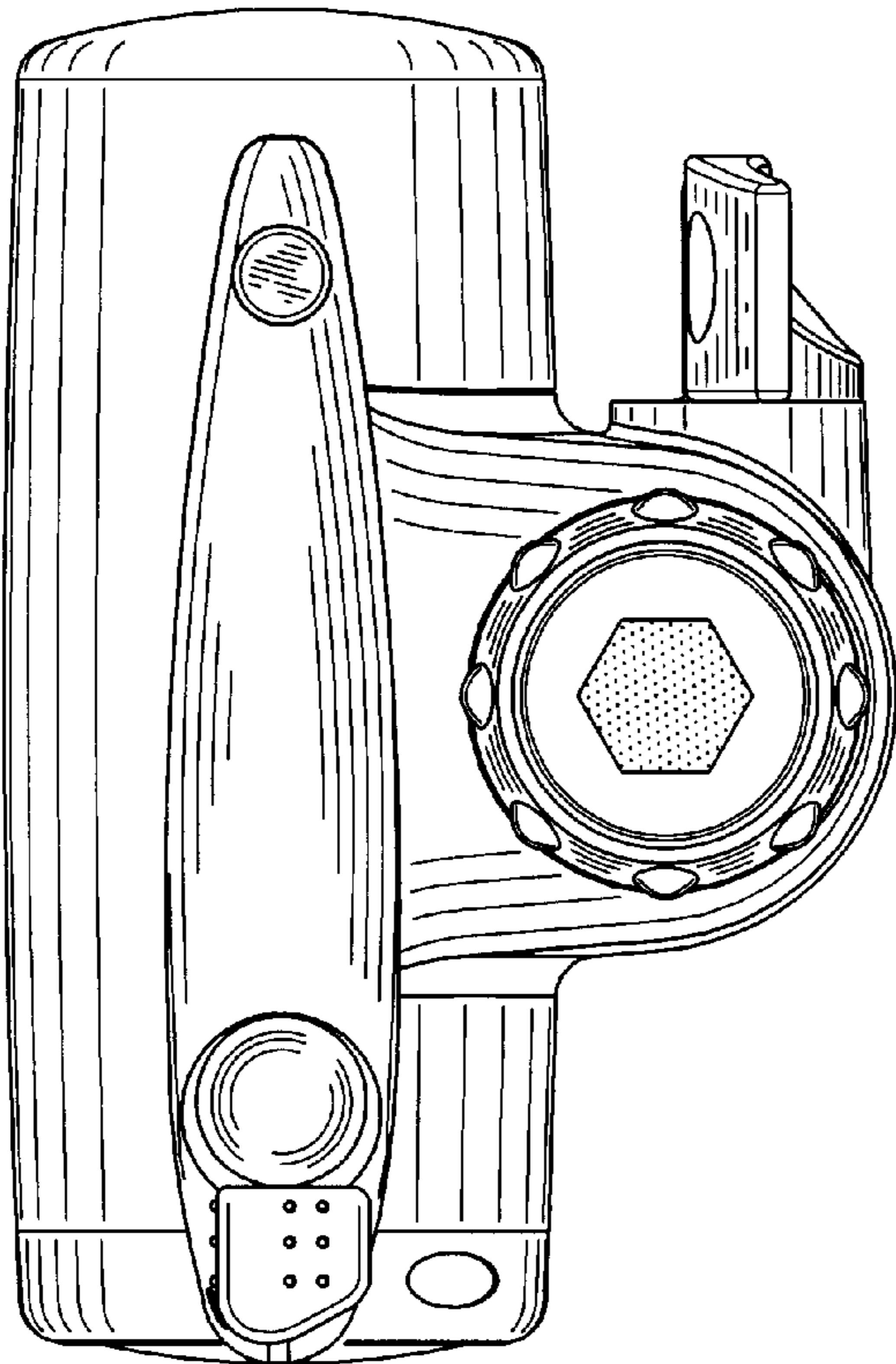


FIG. 5

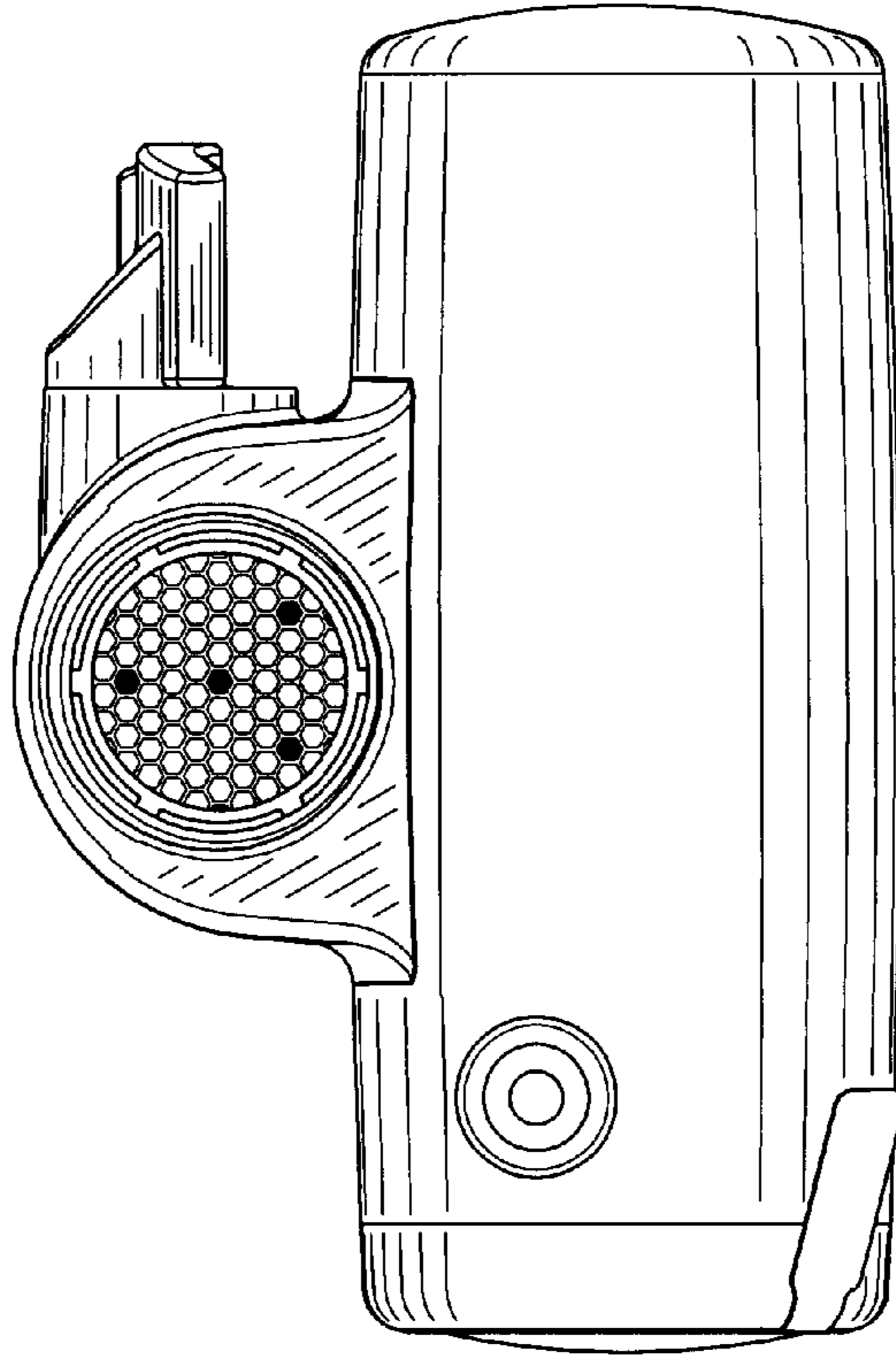


FIG. 6

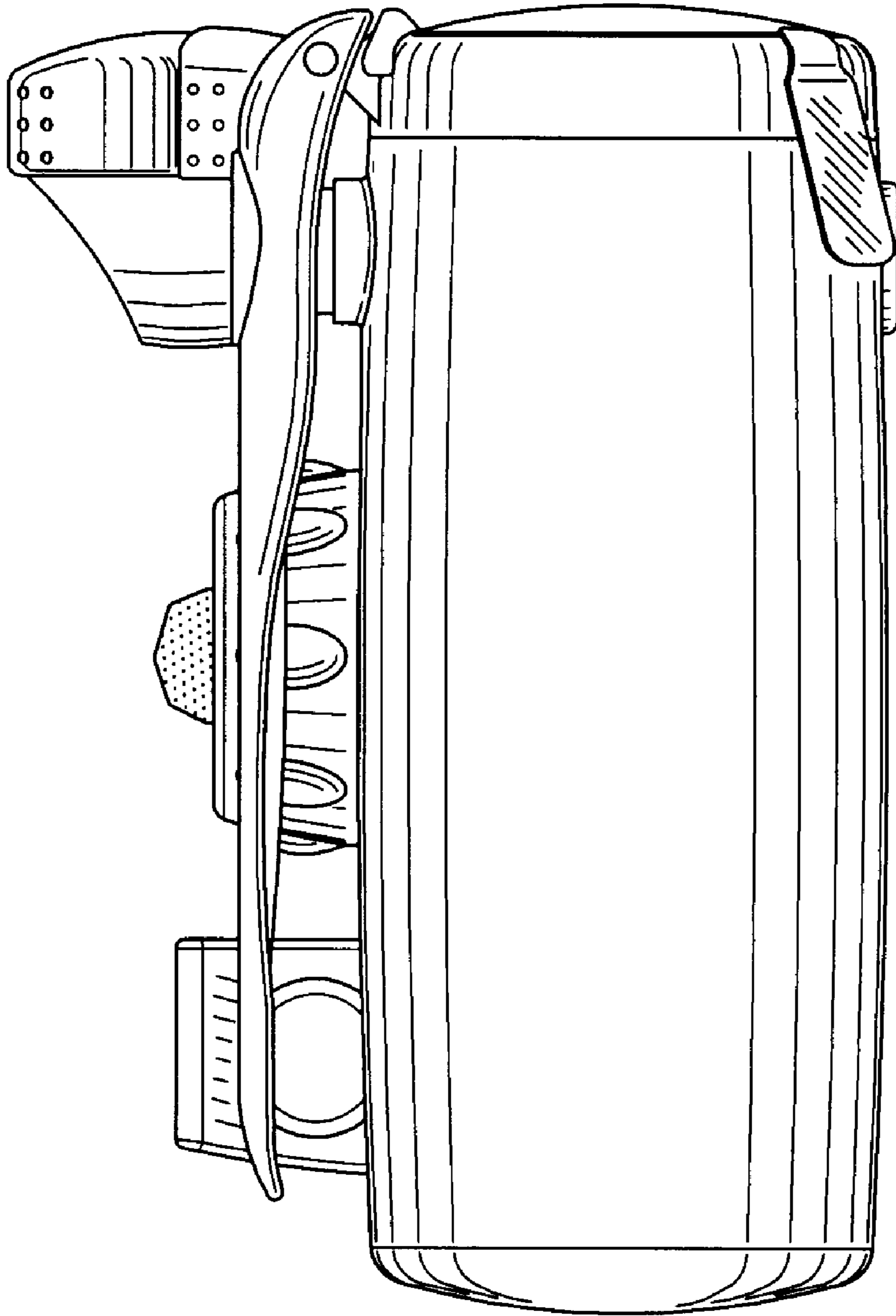


FIG. 7

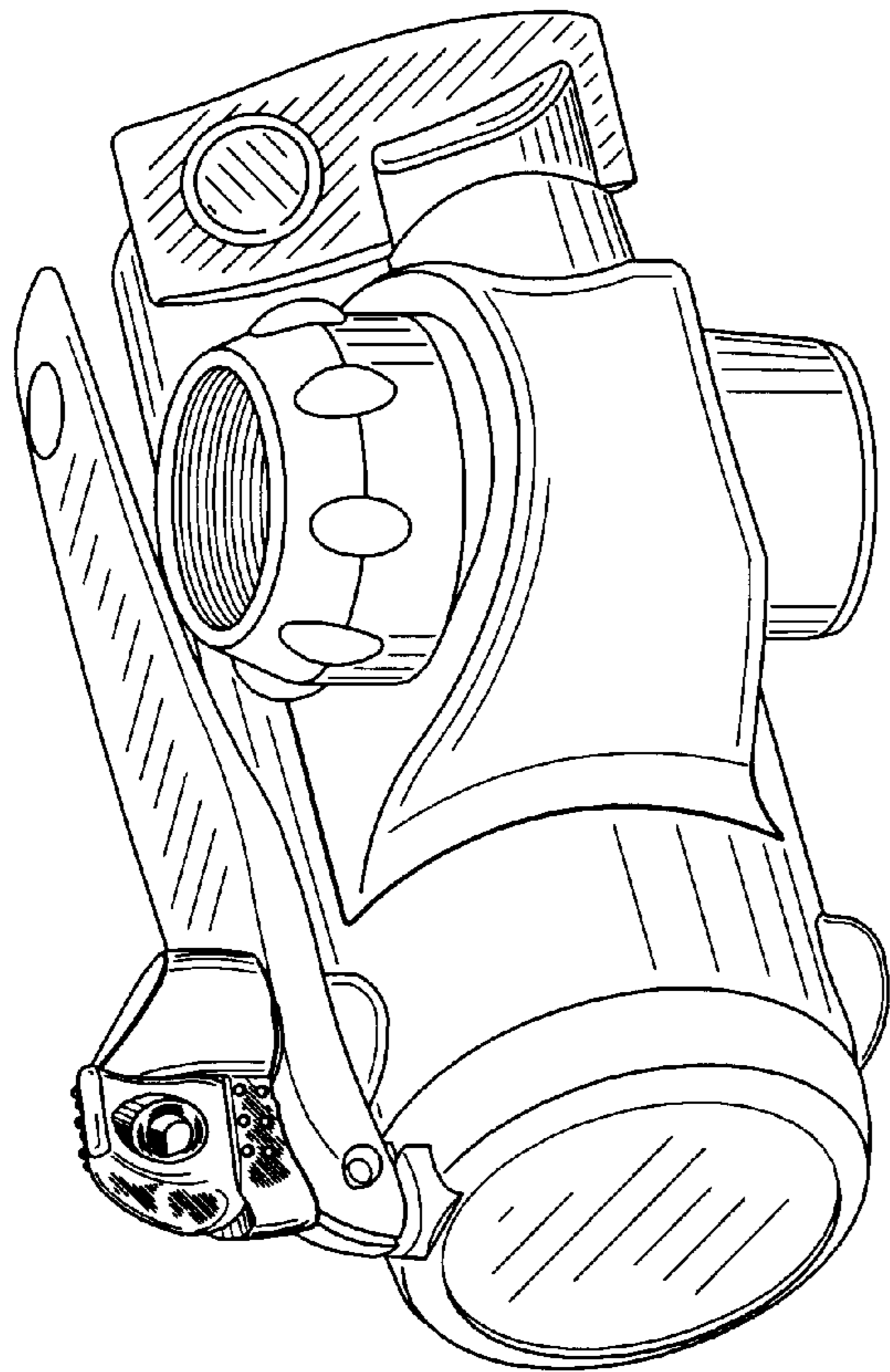


FIG. 8

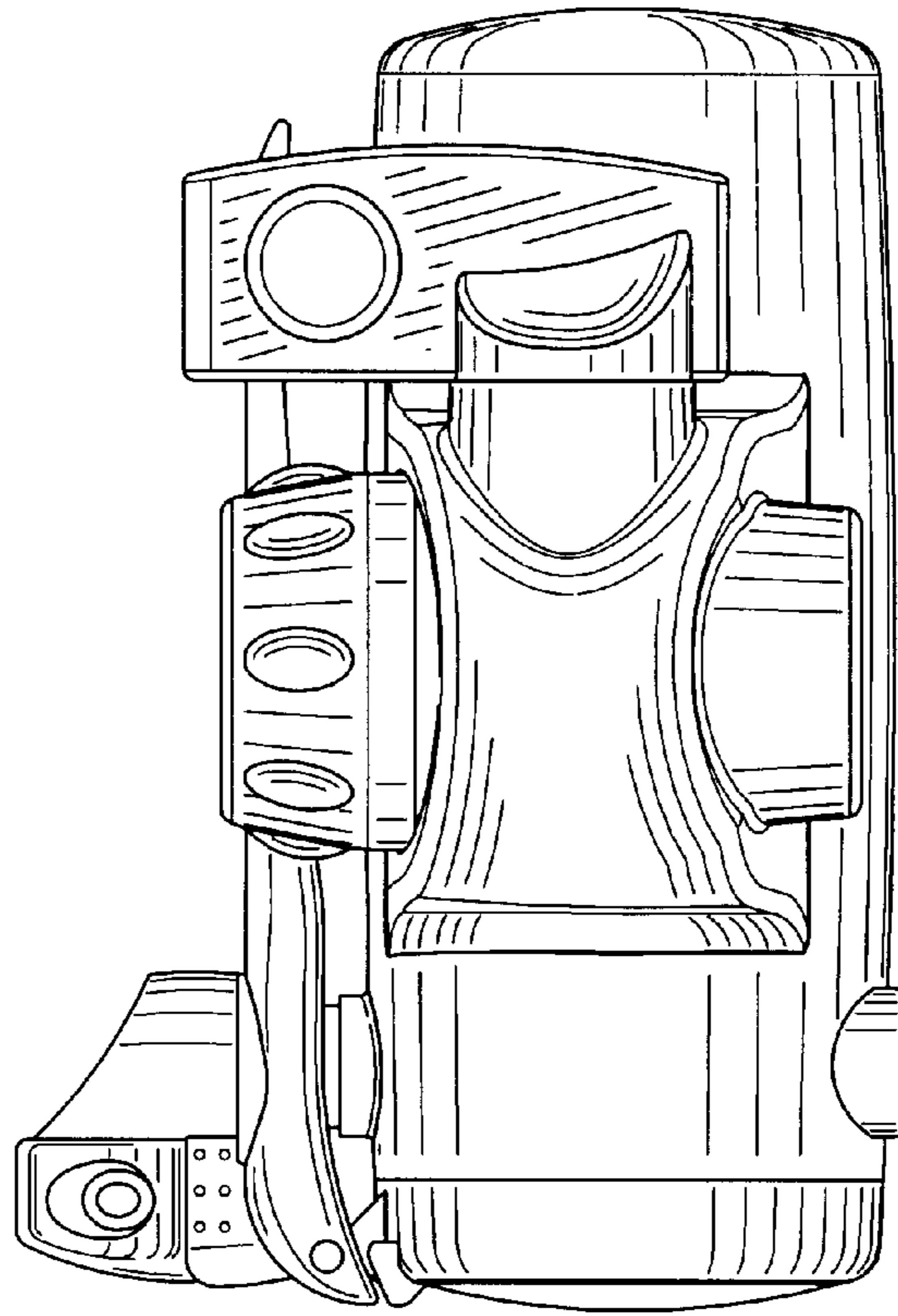


FIG. 9

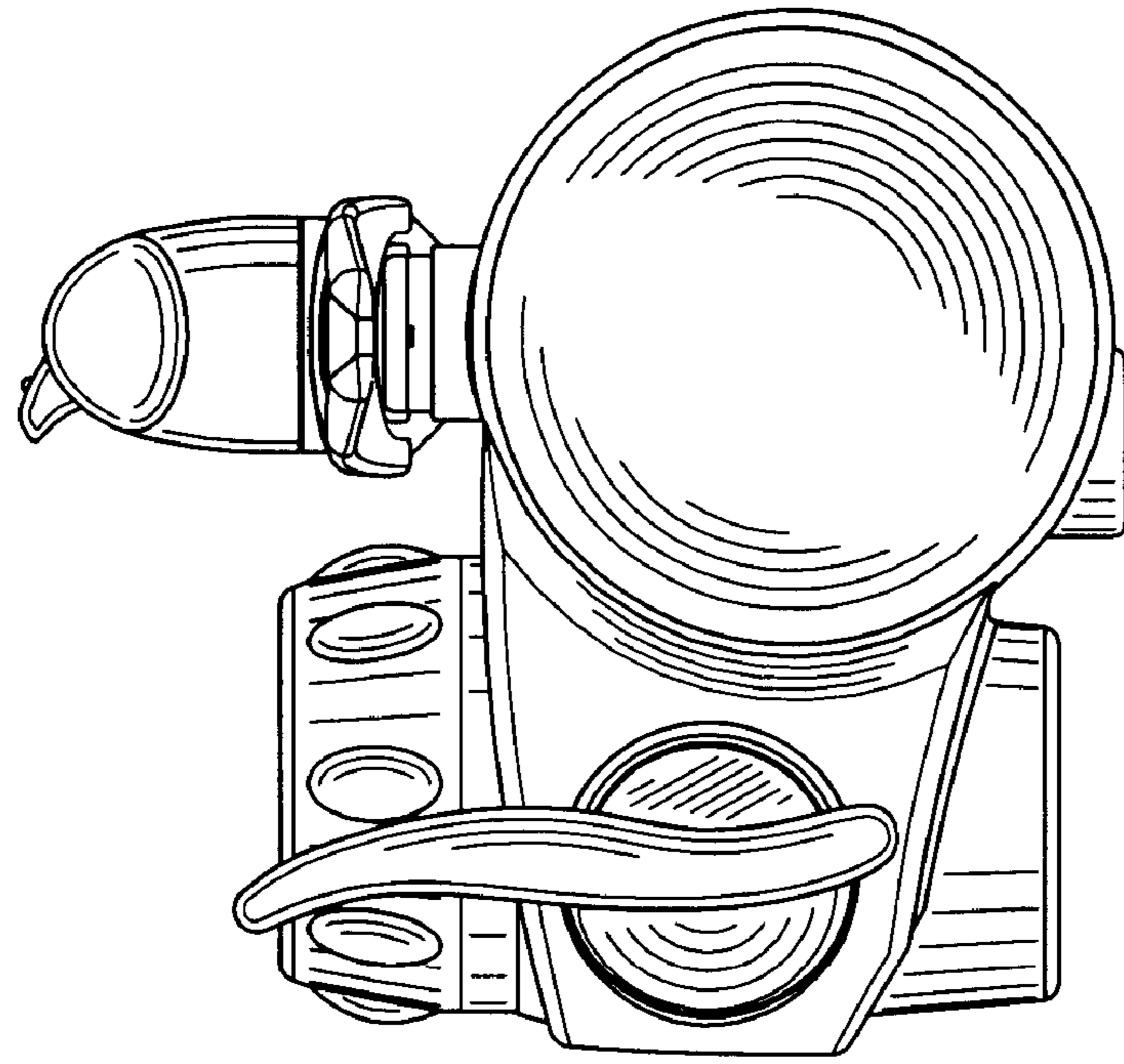


FIG. 10

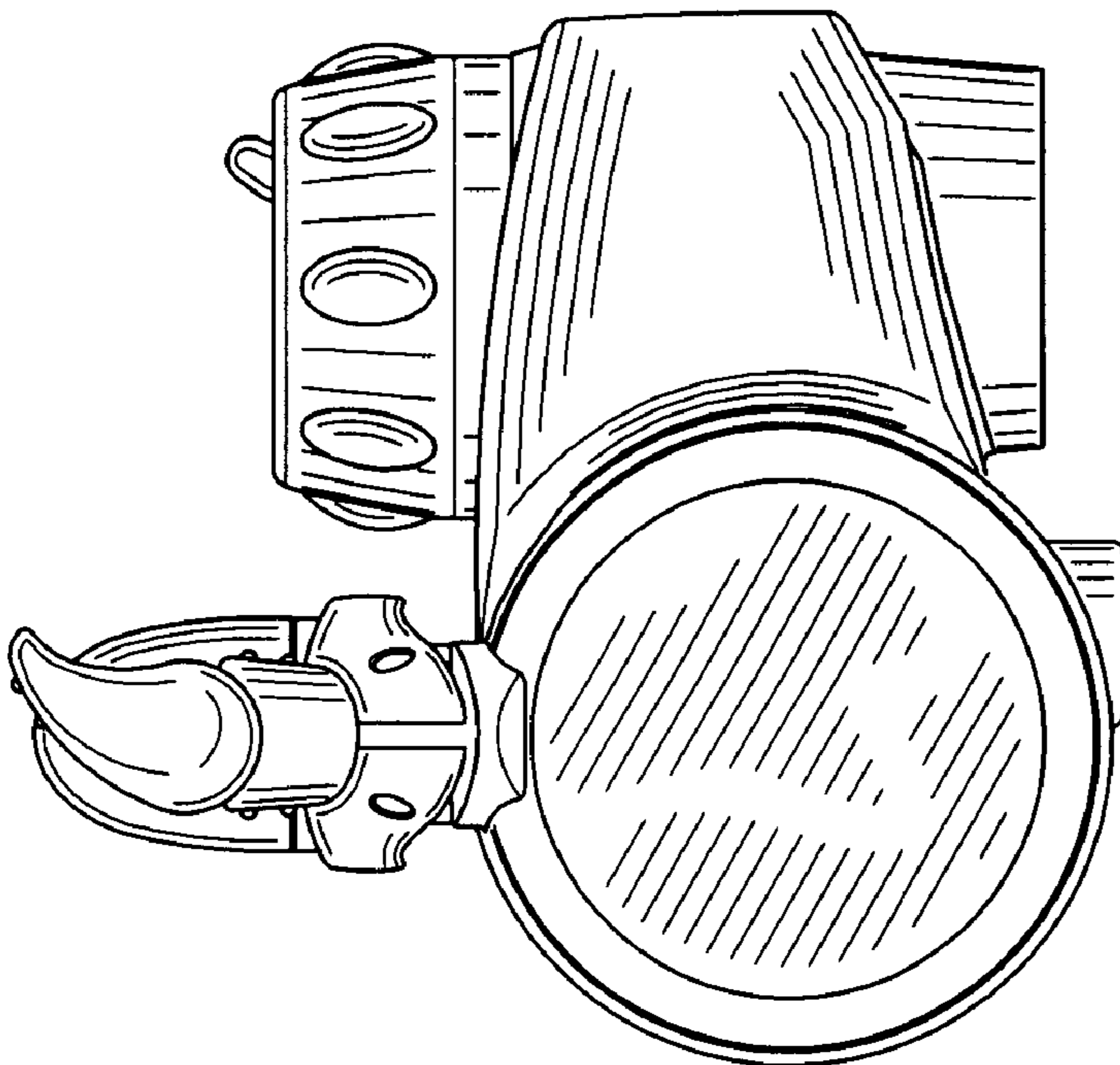


FIG. 11

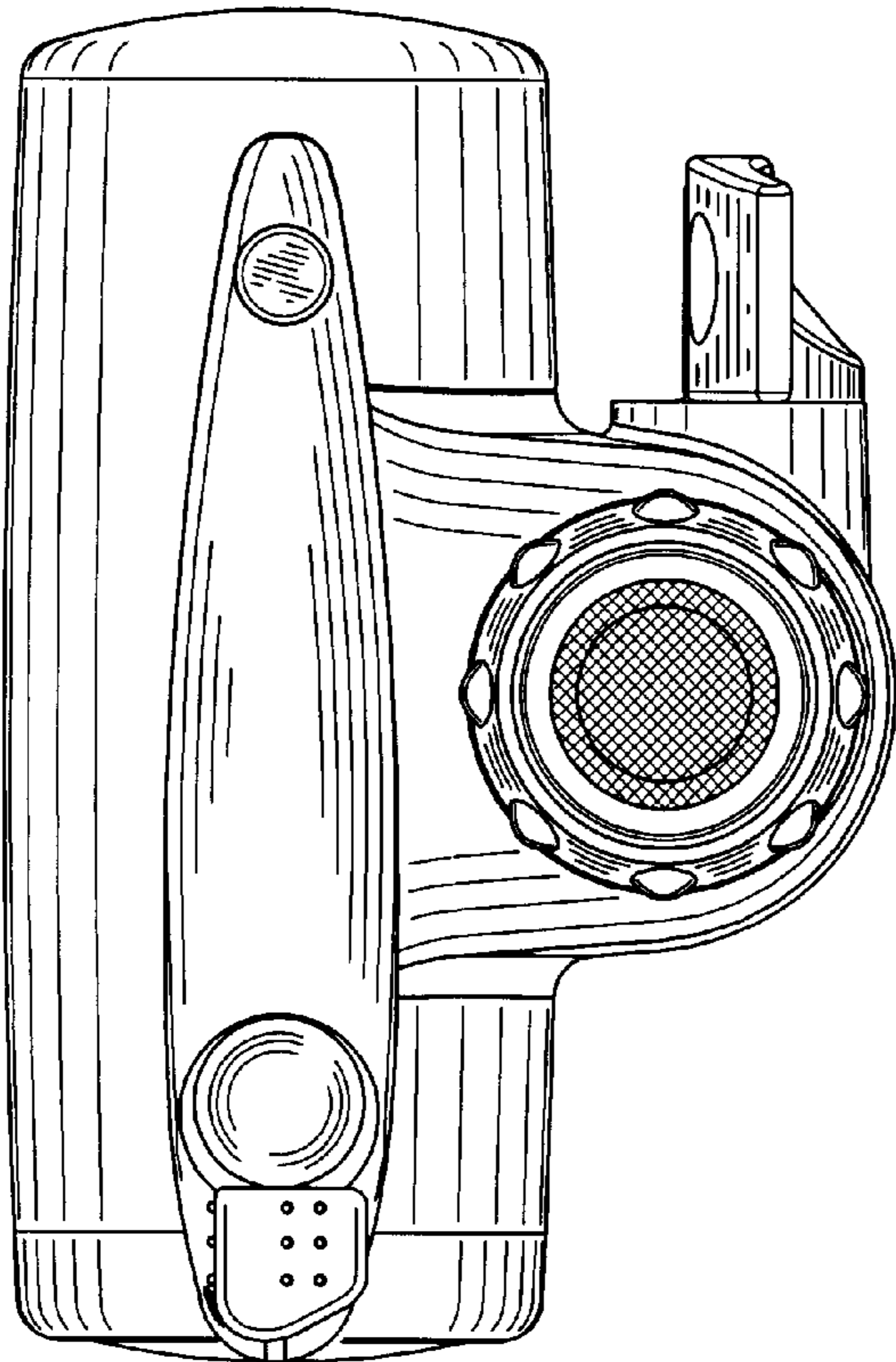


FIG. 12

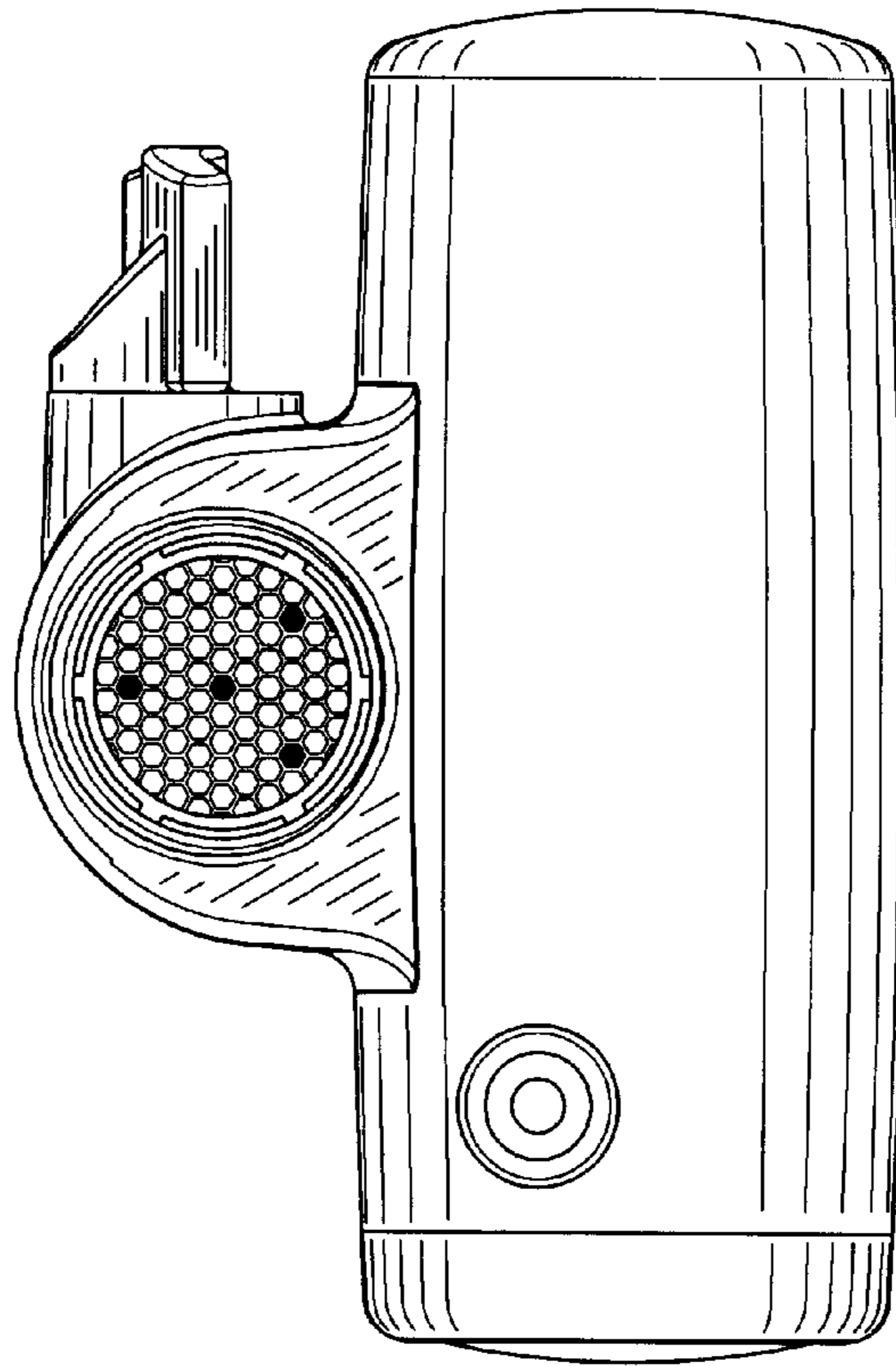


FIG. 13

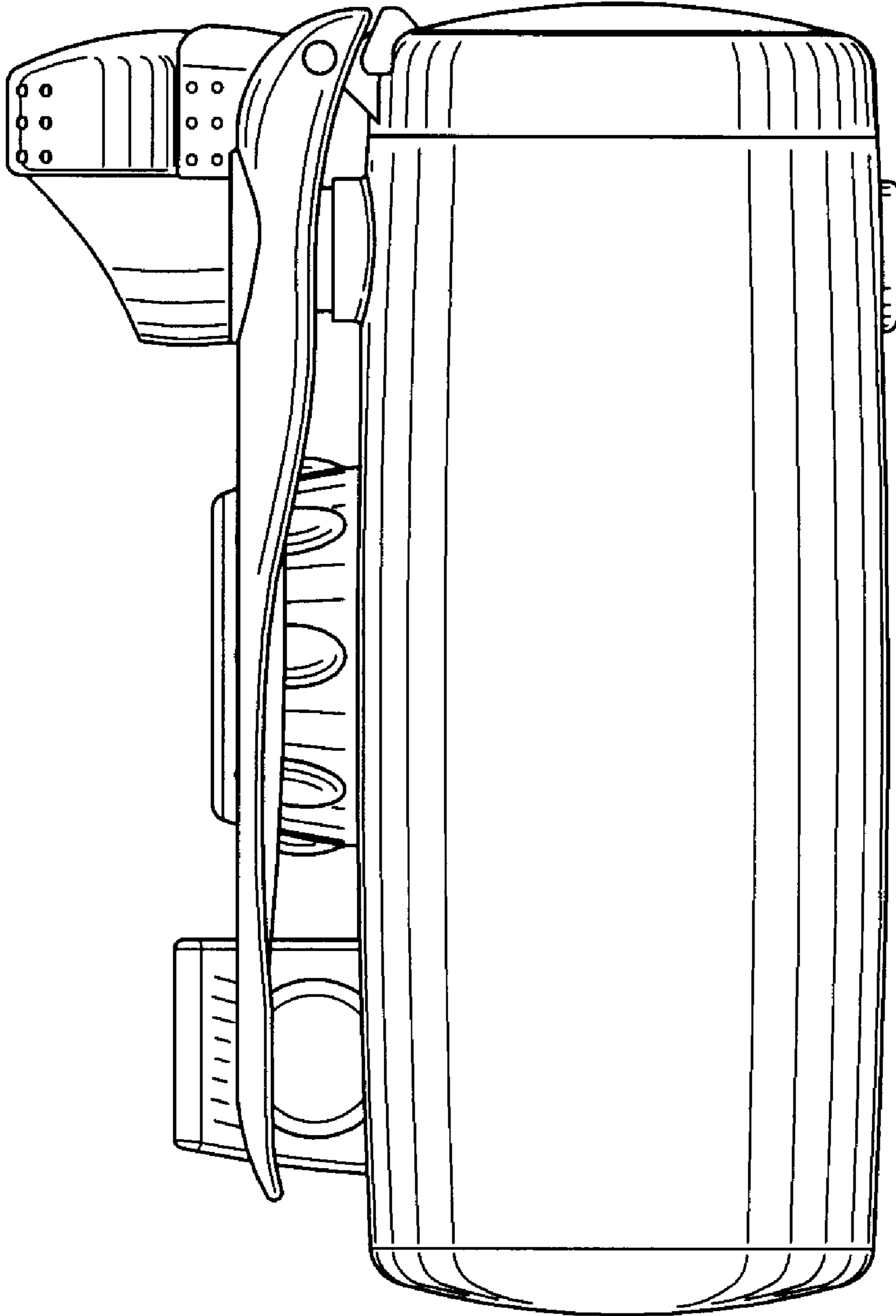


FIG. 14