

US00D541371S

(12) **United States Design Patent**  
**McKay**

(10) **Patent No.:** **US D541,371 S**

(45) **Date of Patent:** **\*\* Apr. 24, 2007**

(54) **FILTER CARTRIDGE CAP**

6,146,527 A \* 11/2000 Oelschlaegel ..... 210/232  
6,495,042 B1 \* 12/2002 Knight ..... 210/497.01  
D472,604 S \* 4/2003 Fritze ..... D23/209

(75) Inventor: **Lynton John McKay**, Thomastown  
(AU)

\* cited by examiner

(73) Assignee: **Sheringham Investments Pty Ltd**,  
Thomastown, Victoria (AU)

*Primary Examiner*—Robin Webster

(74) *Attorney, Agent, or Firm*—Carstens & Cahoon, LLP;  
Colin P. Cahoon

(\*\*) Term: **14 Years**

(57) **CLAIM**

(21) Appl. No.: **29/240,846**

The ornamental design for a filter cartridge cap, as shown  
and described.

(22) Filed: **Oct. 19, 2005**

(51) **LOC (8) Cl.** ..... **23-01**

(52) **U.S. Cl.** ..... **D23/209**

(58) **Field of Classification Search** ..... D23/207–209;  
210/493.2, 497.01, 493.5, 235, 435; 55/521  
See application file for complete search history.

**DESCRIPTION**

FIG. 1 is a front perspective view of the filter cartridge cap  
of the present invention, with the rear perspective view  
being identical; and,

FIG. 2 is a top plan view of the filter cartridge cap of the  
present invention.

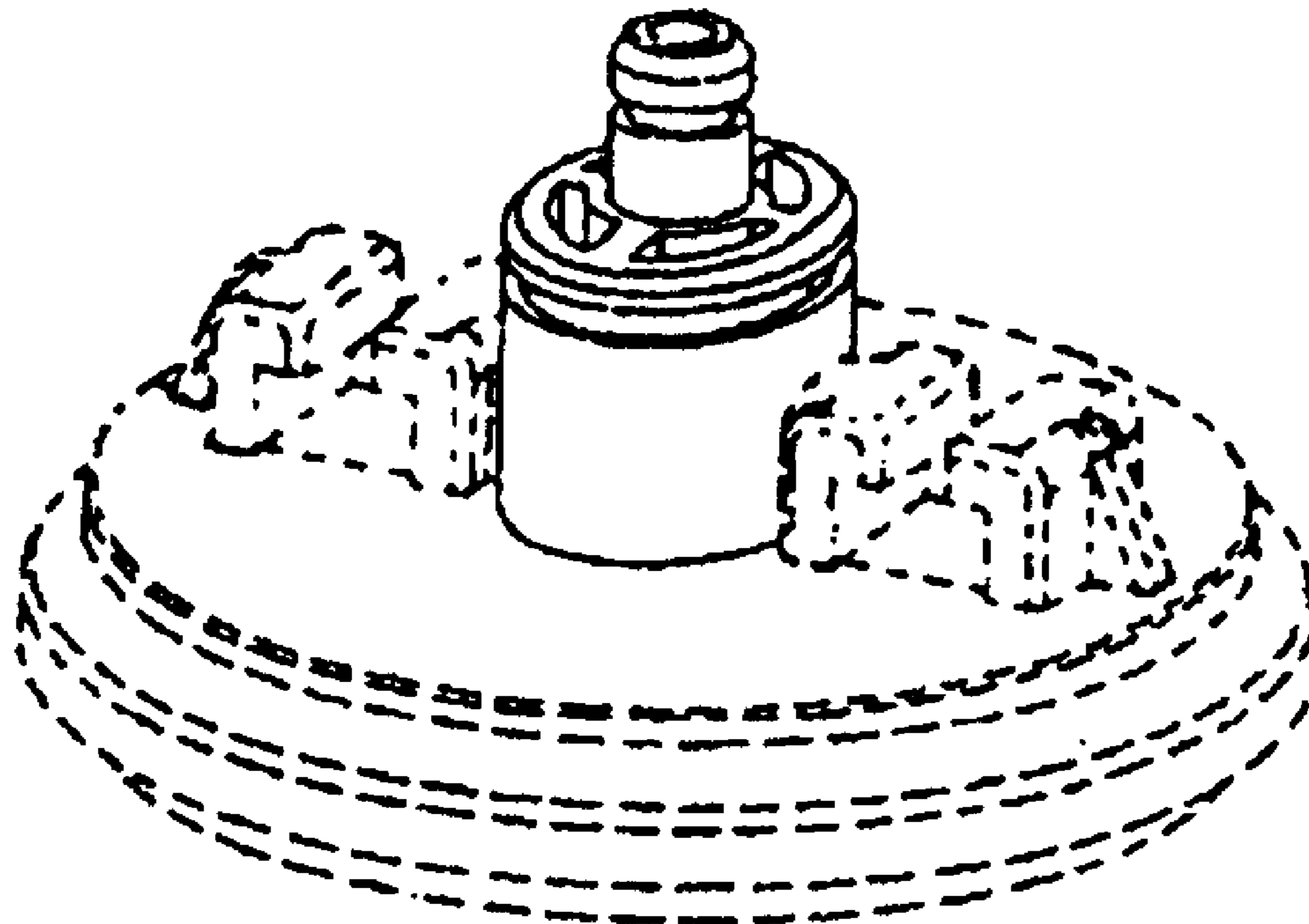
The bottom view is omitted as it is flat and devoid of surface  
ornamentation. The broken lines showing in FIGS. 1 and 2  
are directed to environment and are for illustrative purposes  
only. The broken lines form no part of the claimed design.

(56) **References Cited**

U.S. PATENT DOCUMENTS

D322,836 S \* 12/1991 Petrucci et al. .... D23/209  
D356,625 S \* 3/1995 Petrucci et al. .... D23/209  
D433,094 S \* 10/2000 Magnusson et al. .... D23/209

**1 Claim, 1 Drawing Sheet**



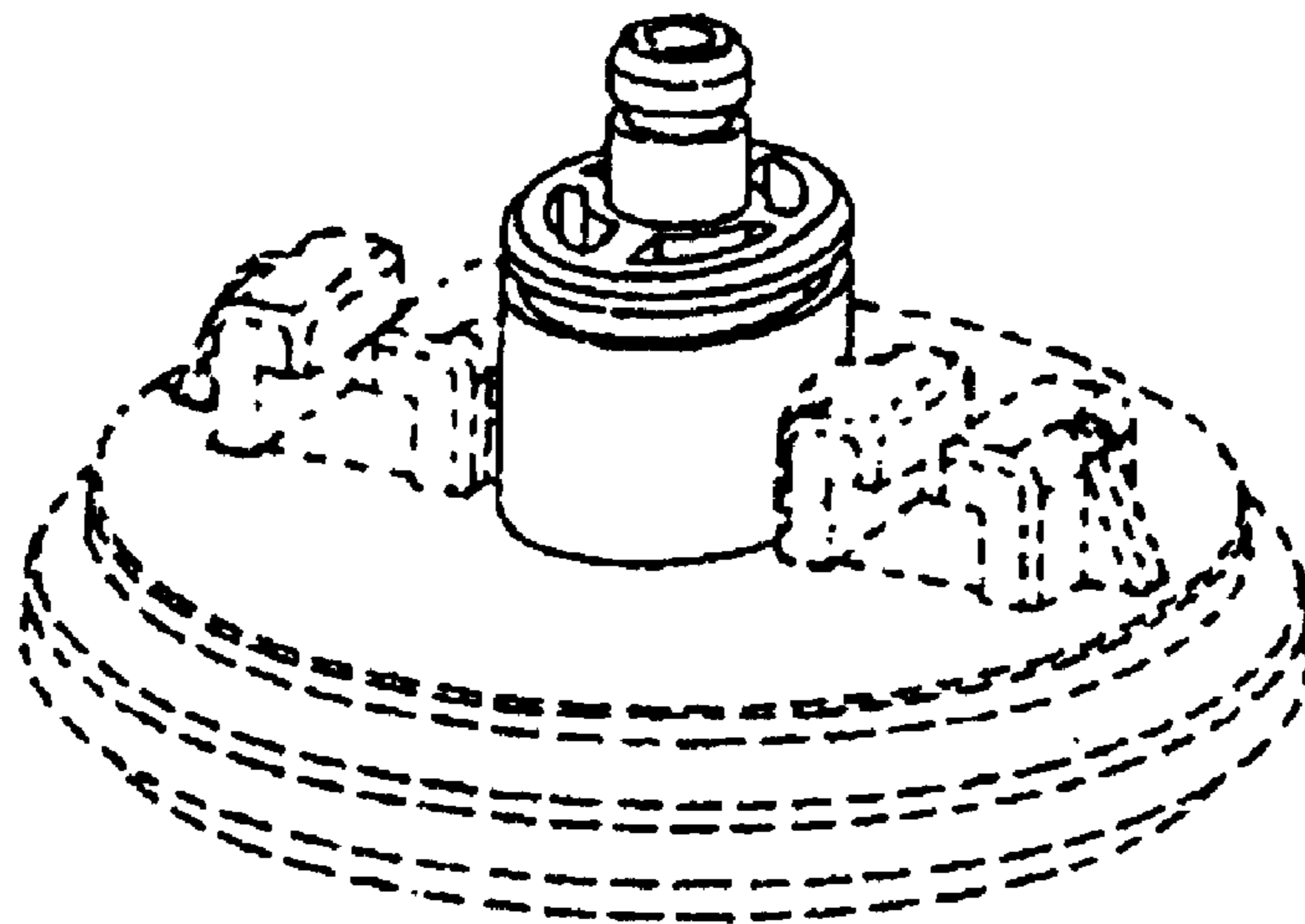


FIG. 1

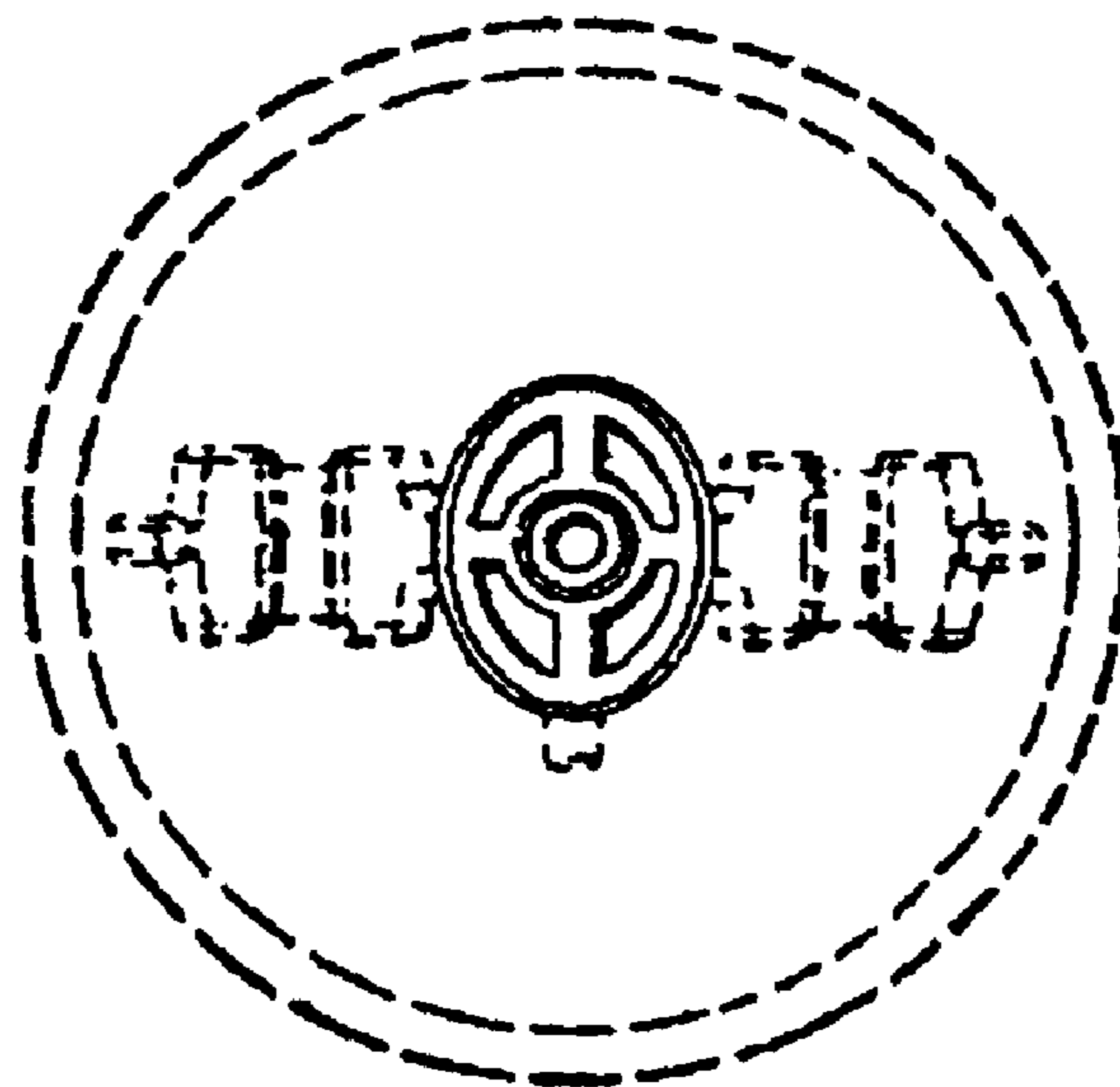


FIG. 2