



US00D541369S

(12) **United States Design Patent**  
**Jordan**

(10) **Patent No.:** **US D541,369 S**

(45) **Date of Patent:** **\*\* Apr. 24, 2007**

(54) **WORM TRAY**

(76) Inventor: **Kenneth L. Jordan**, 504 E. Cato St.,  
Pageland, SC (US) 29728

(\*\*) Term: **14 Years**

(21) Appl. No.: **29/260,546**

(22) Filed: **May 26, 2006**

(51) **LOC (8) Cl.** ..... **22-05**

(52) **U.S. Cl.** ..... **D22/136**

(58) **Field of Classification Search** ..... D22/136,  
D22/135, 134, 199; D32/53, 53.1, 54; 43/55-56;  
206/545

See application file for complete search history.

(56) **References Cited**

**U.S. PATENT DOCUMENTS**

D444,203 S \* 6/2001 Leclair et al. .... D22/136  
D462,737 S \* 9/2002 Lipari ..... D22/136

\* cited by examiner

*Primary Examiner*—Catherine R. Oliver

(74) *Attorney, Agent, or Firm*—Schwartz Law Firm

(57) **CLAIM**

I claim the ornamental design for a worm tray, as shown and described.

**DESCRIPTION**

FIG. 1 is an environmental perspective view of the worm tray positioned within a cooler shown in phantom, the cooler forming no part of the claimed design;

FIG. 2 is a further perspective view of the worm tray with the handle raised;

FIG. 3 is a front view of the worm tray, the rear view being a mirror image hereof;

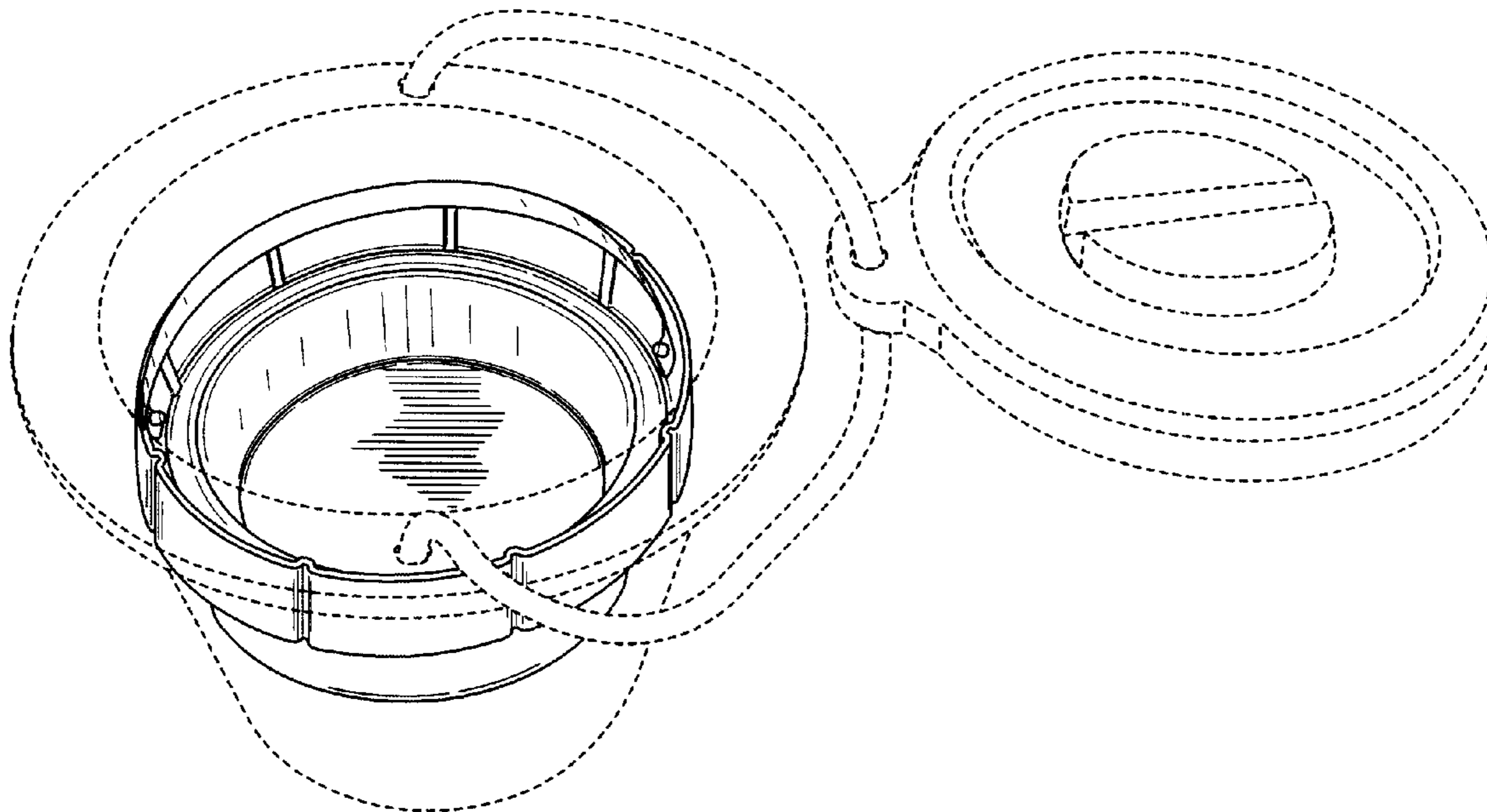
FIG. 4 is a left side view of the worm tray, the right side view being a mirror image thereof;

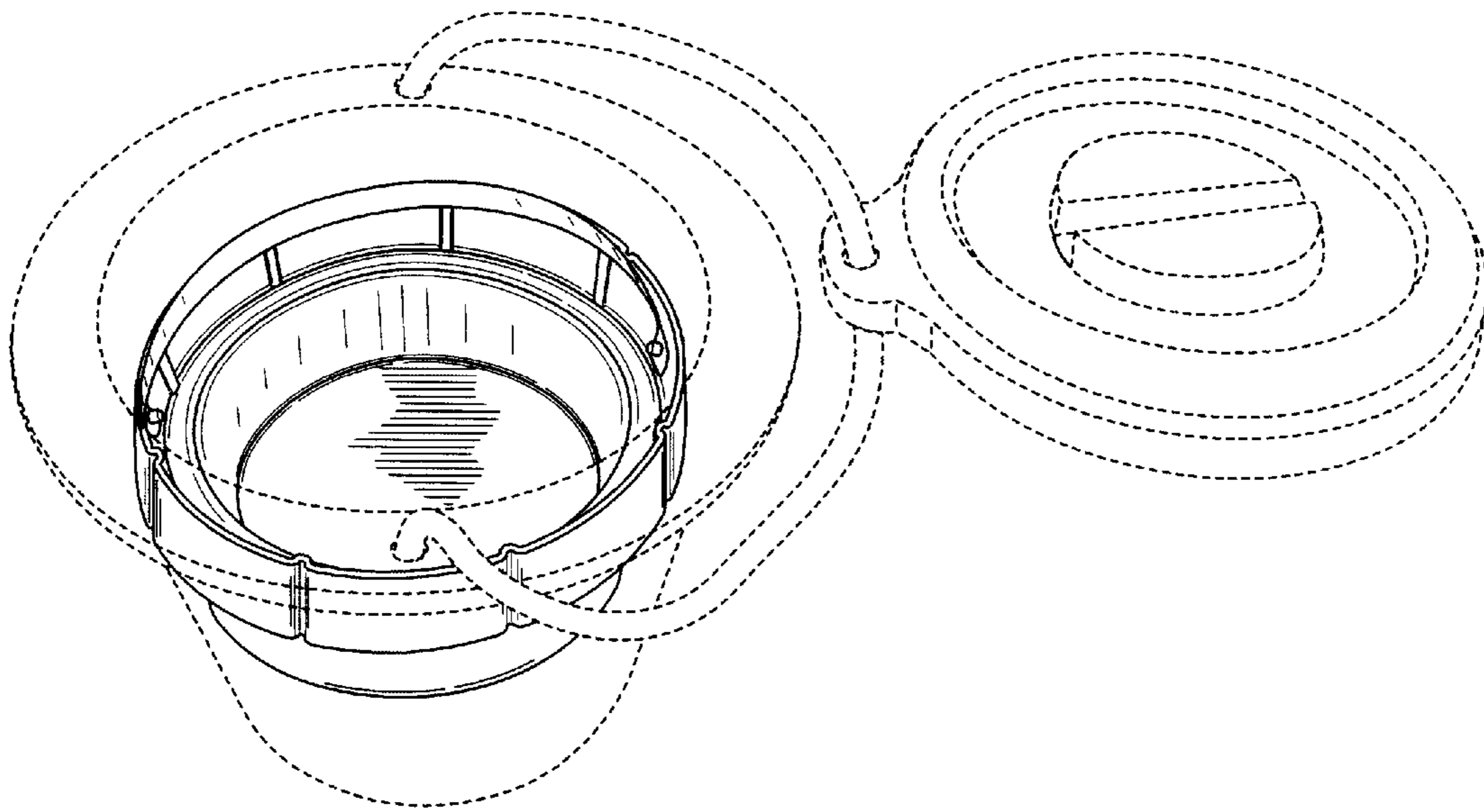
FIG. 5 is a top view of the worm tray with the handle lowered;

FIG. 6 is a bottom view of the worm tray; and,

FIG. 7 is a side view of the worm tray with the handle lowered.

**1 Claim, 7 Drawing Sheets**





**FIG. 1**

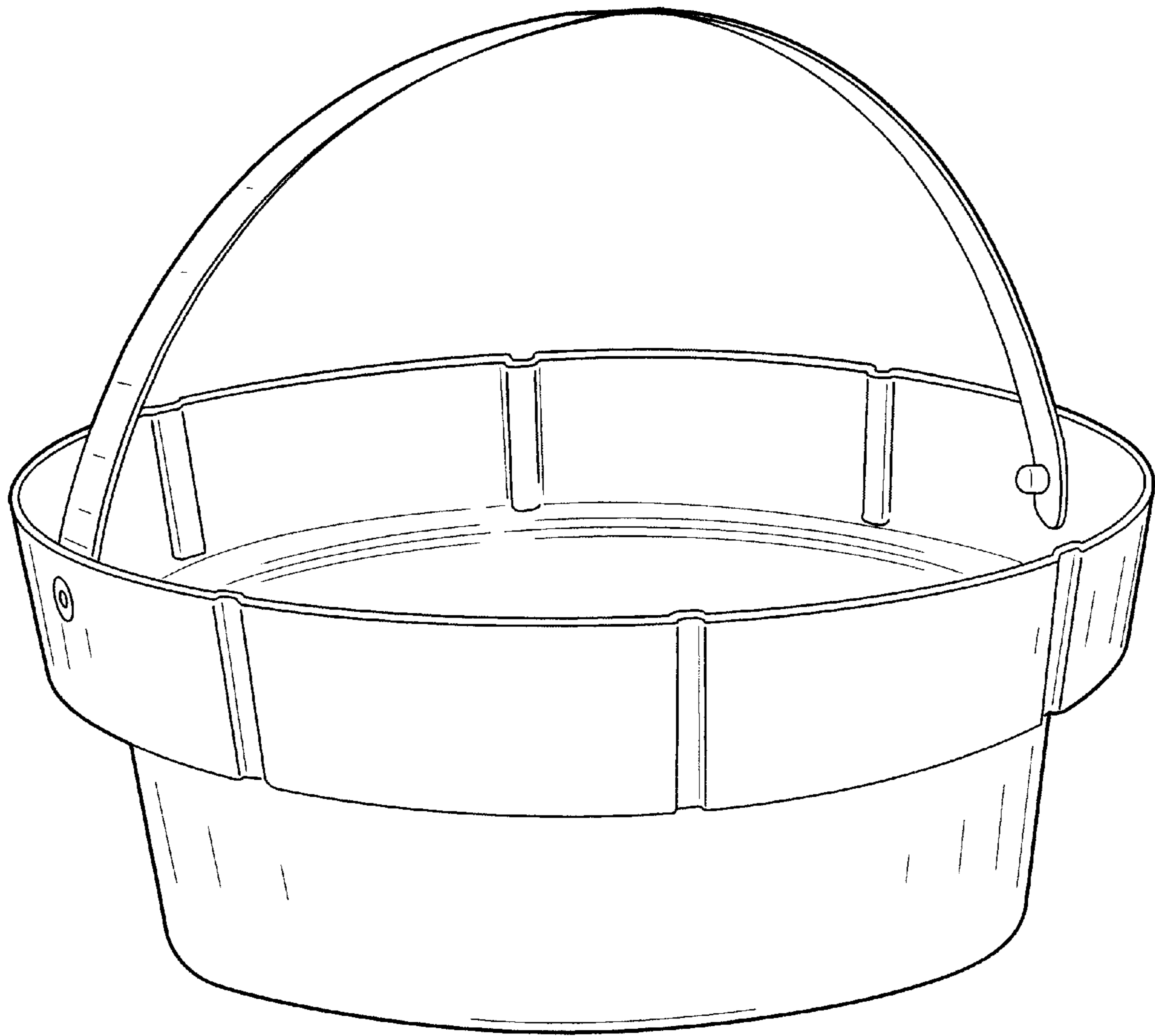
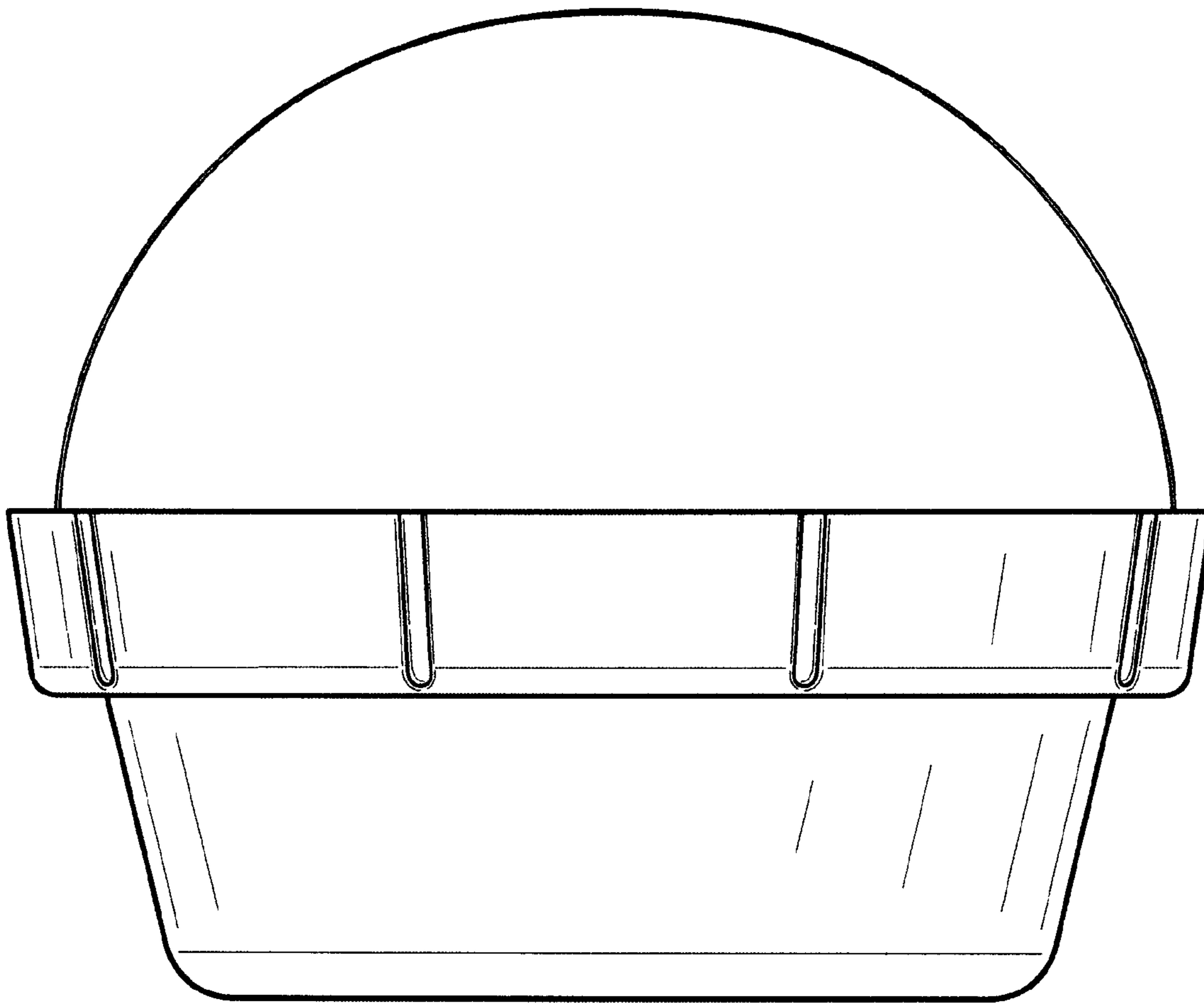
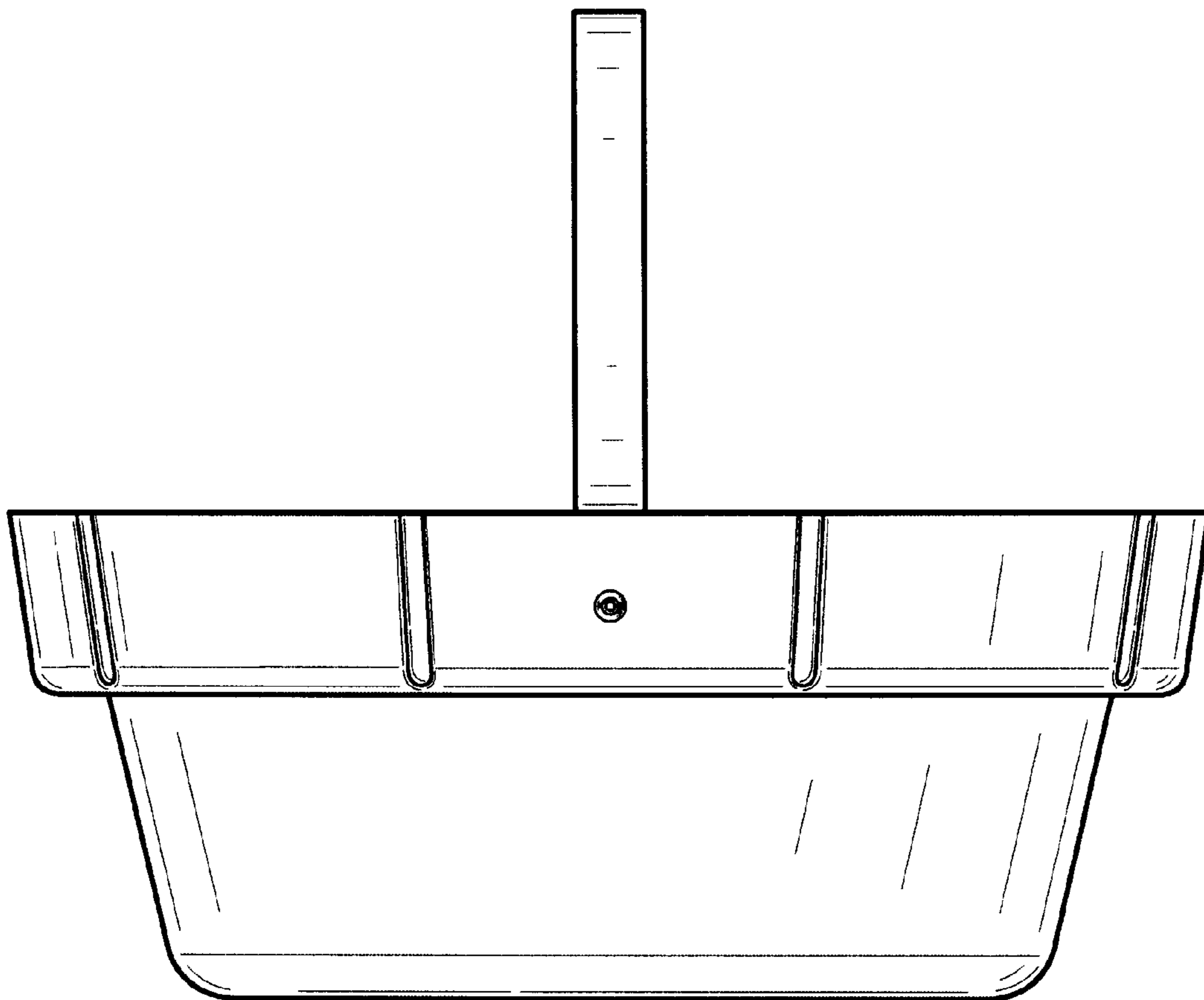


FIG. 2



**FIG. 3**



**FIG. 4**

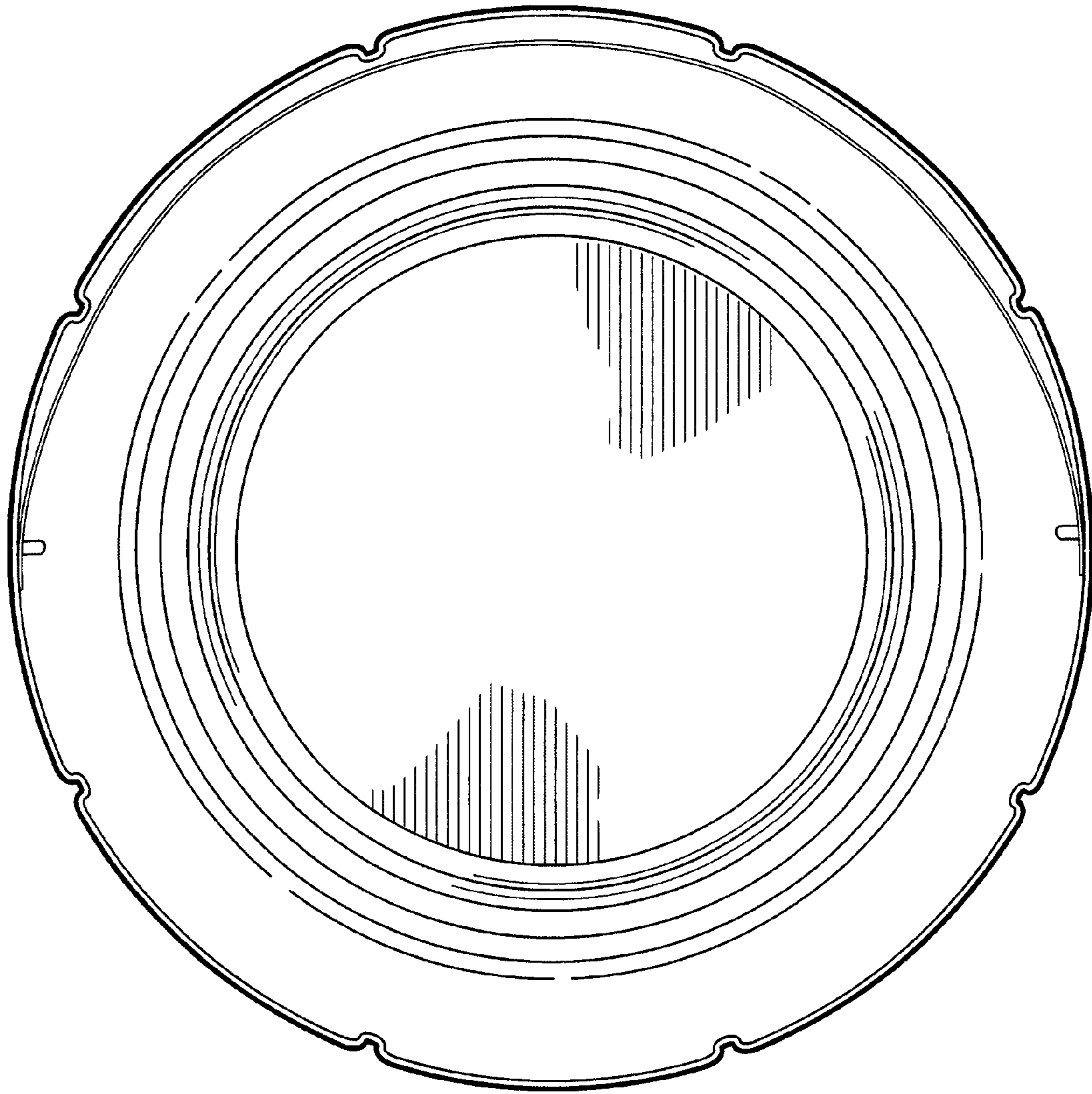
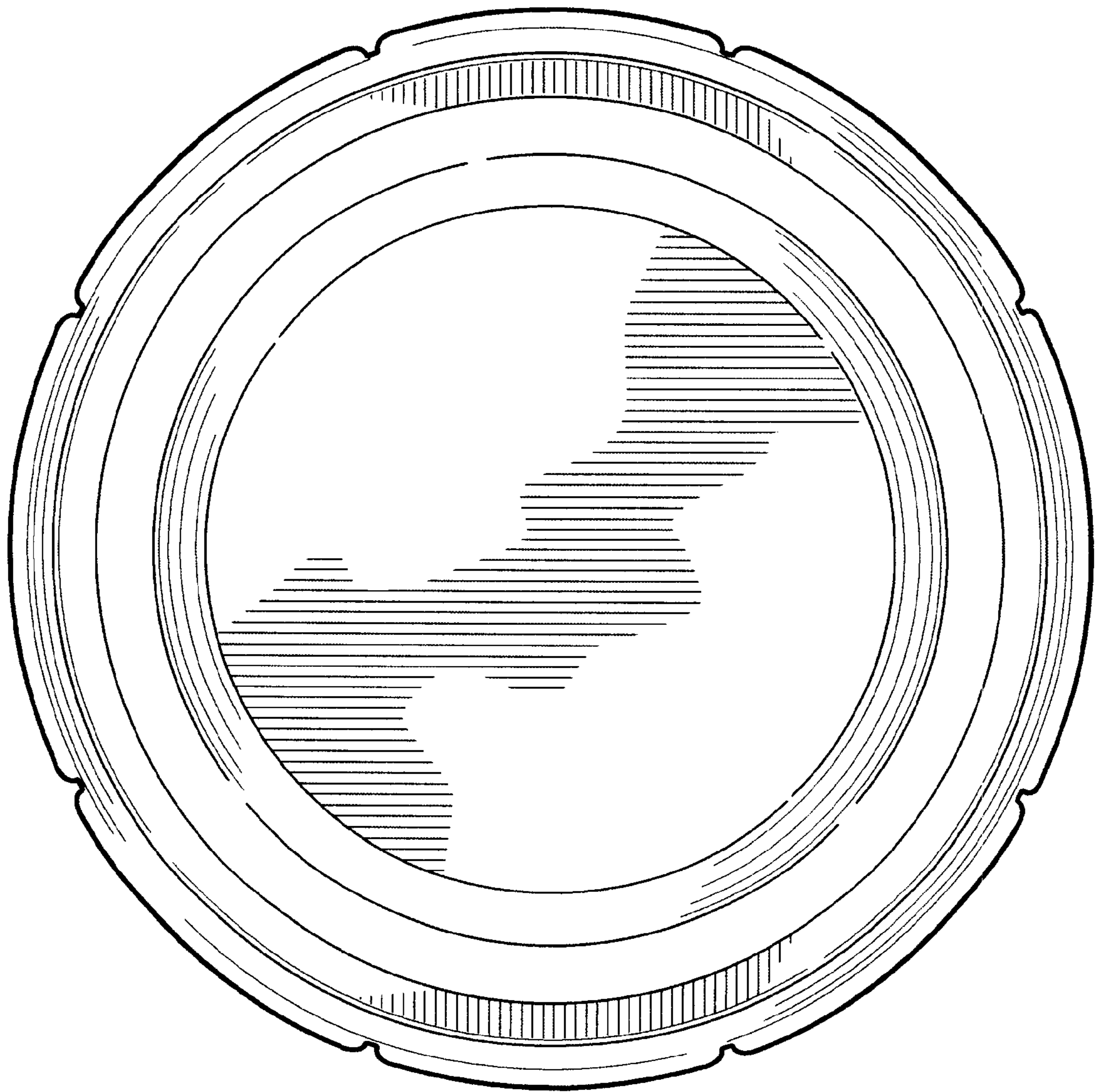
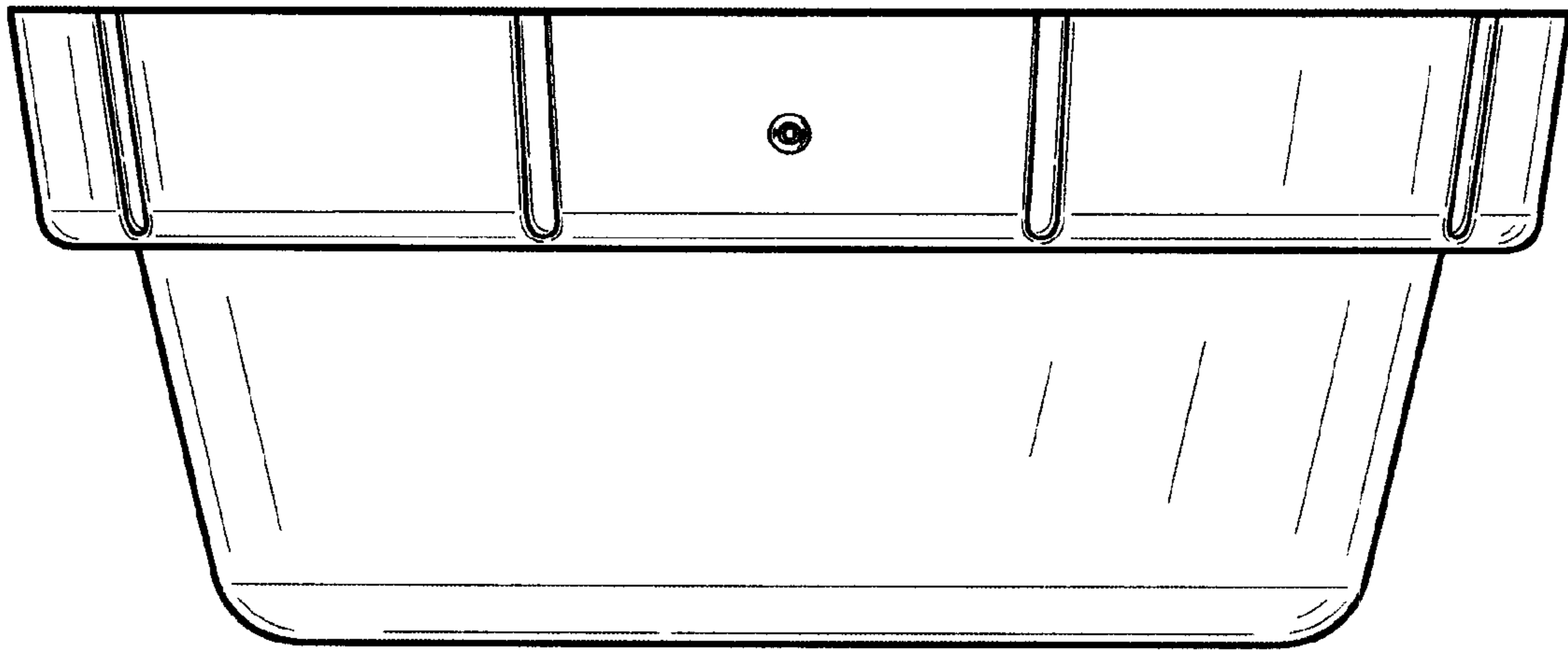


FIG. 5



**FIG. 6**



**FIG. 7**