

US00D541368S

(12) **United States Design Patent**
Huffman

(10) **Patent No.:** **US D541,368 S**

(45) **Date of Patent:** **** Apr. 24, 2007**

(54) **ELECTRIC CHUM GRINDER**

(75) Inventor: **Carl T. Huffman**, Summerfield, NC
(US)

(73) Assignee: **Virginia Enterprises, Inc.**, Greensboro,
NC (US)

(**) Term: **14 Years**

(21) Appl. No.: **29/262,190**

(22) Filed: **Jun. 28, 2006**

(51) **LOC (8) Cl.** **22-05**

(52) **U.S. Cl.** **D22/134**

(58) **Field of Classification Search** D22/134-136,
D22/199; 43/17.1, 17.5, 42.06, 44.99, 55,
43/54.1; D7/372-373, 678-679

See application file for complete search history.

(56) **References Cited**

U.S. PATENT DOCUMENTS

4,390,133	A	*	6/1983	Wanat	D7/372
6,014,832	A	*	1/2000	Brooks	43/44.99
6,581,322	B1	*	6/2003	Spinelli	43/44.99
D531,850	S	*	11/2006	Wong	D7/372

OTHER PUBLICATIONS

Owner's manual for "Chum Master Electric Chum Grinder" of Virginia Enterprises, Inc. dated Jan. 1996; eight (8) pages. Front and back one page insert for "Chum Master Electric Chum Grinder" and "Chum Master Manual Chum Grinder" for Virginia Enterprises, Inc.; undated; two (2) pages.

Three pages from the magazine entitled "Salt Water Sportsman", vol. 66 No. 11, dated Nov. 2005, the cover page, p. 10 showing the contents and p. 126 showing an advertisement for "Weston Gear Chum Grinder".

* cited by examiner

Primary Examiner—Catherine R. Oliver

(57) **CLAIM**

The ornamental design for an electric chum grinder, as shown and described.

DESCRIPTION

FIG. 1 is a top, front, left side perspective view of a chum grinder embodying my design;

FIG. 2 is a right side elevational view thereof;

FIG. 3 is a rear elevational view thereof;

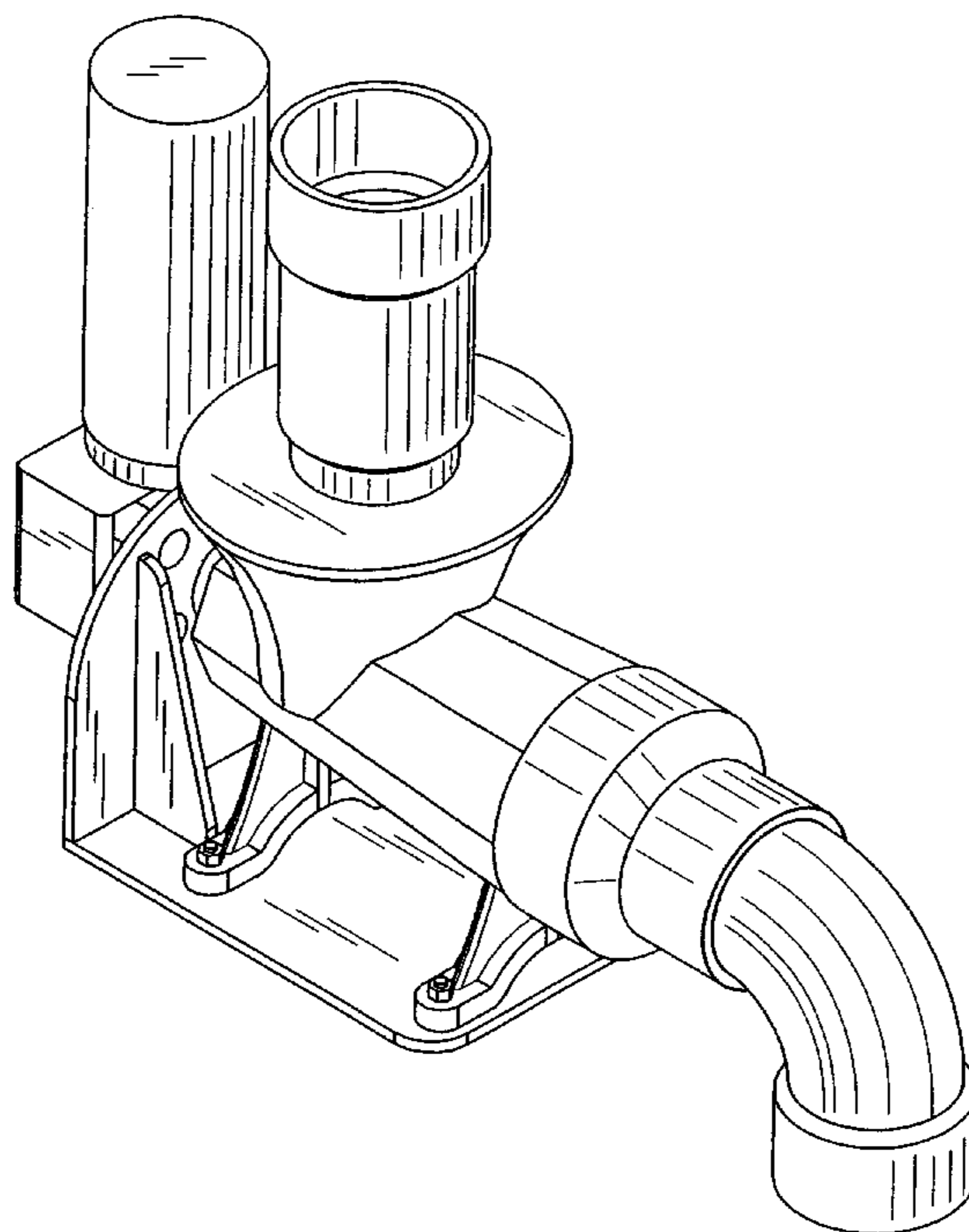
FIG. 4 is a front elevational view thereof;

FIG. 5 is a top plan view thereof;

FIG. 6 is a bottom plan view thereof; and,

FIG. 7 is a left side elevational view thereof.

1 Claim, 5 Drawing Sheets



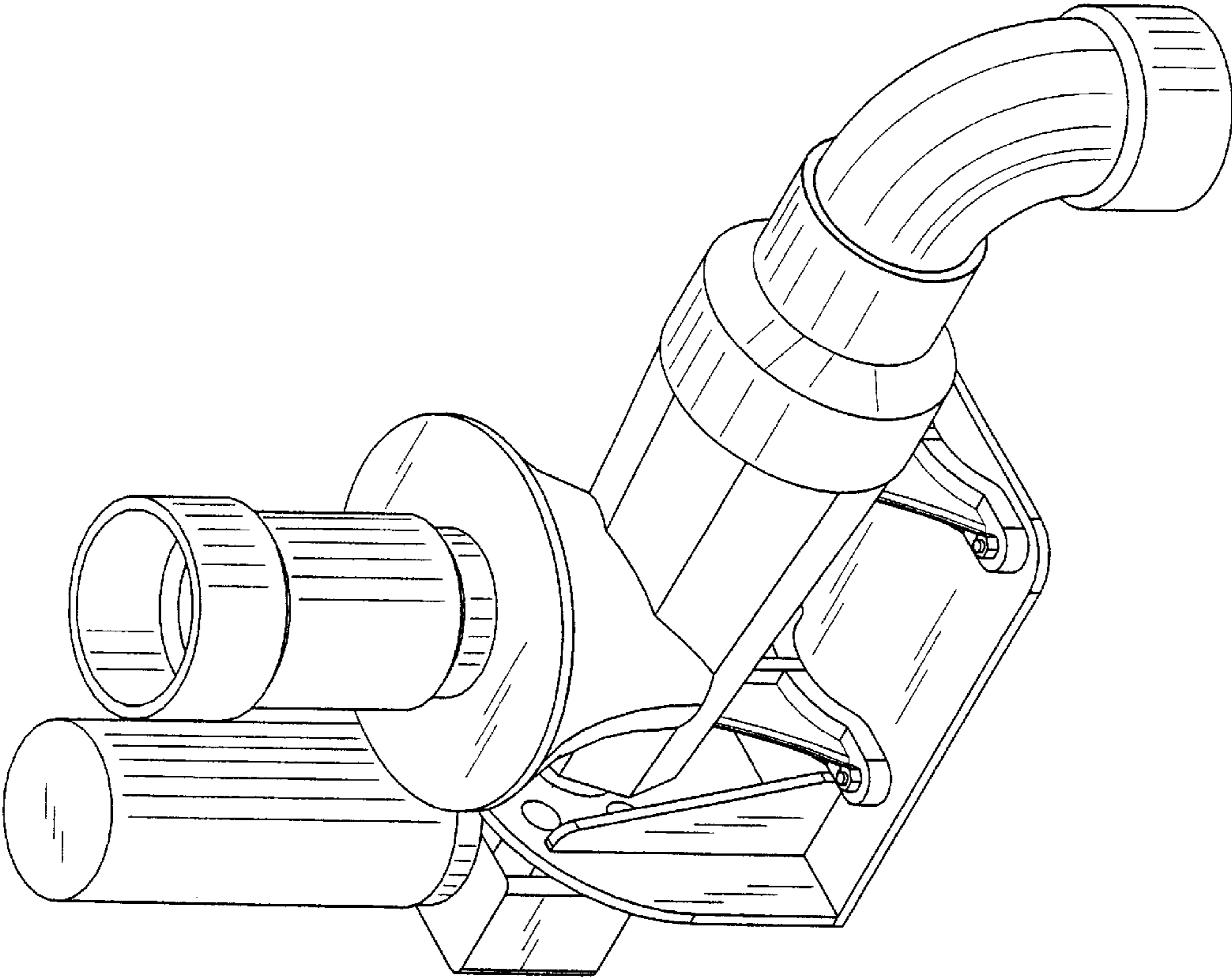


FIG. 1

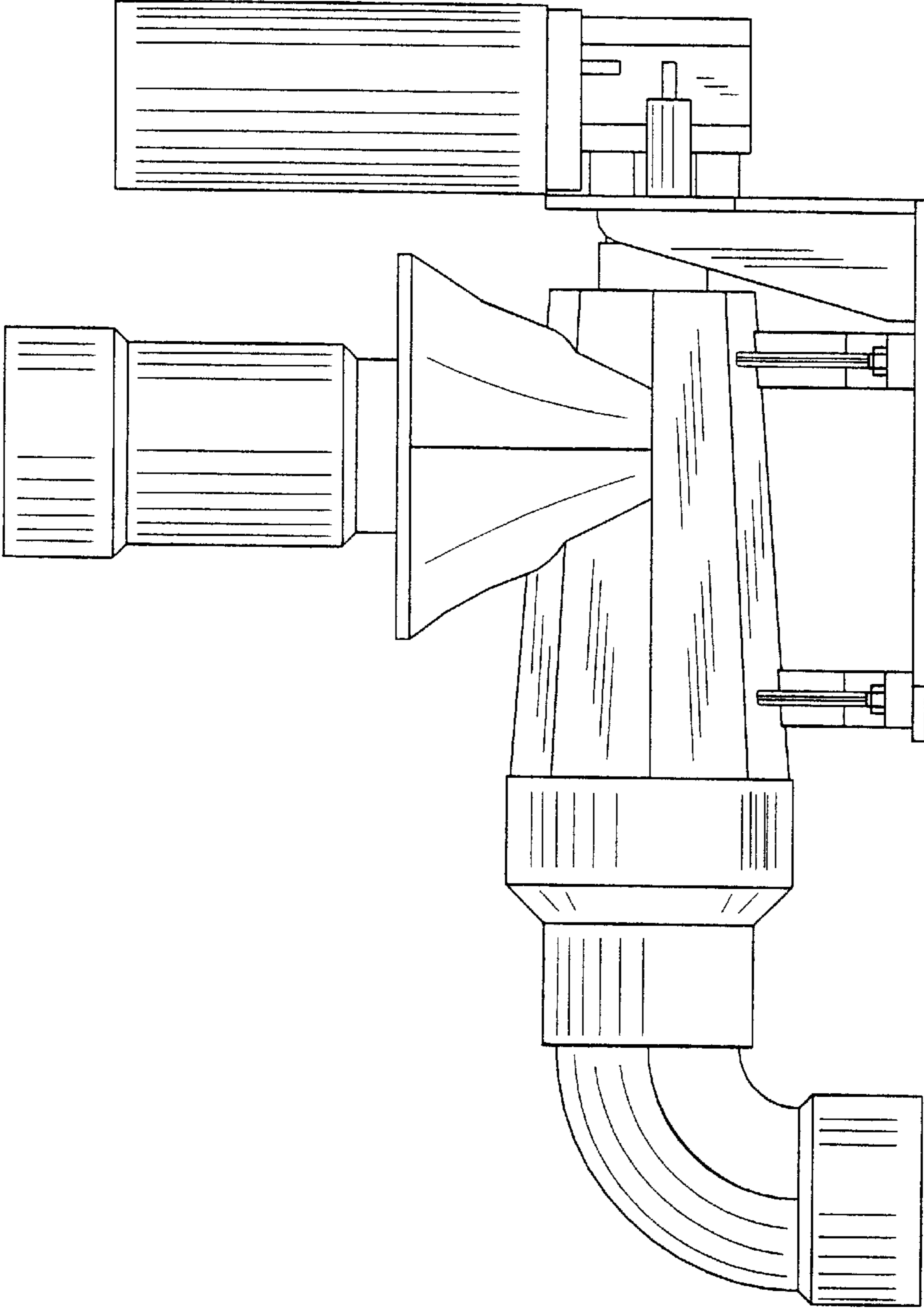


FIG. 2

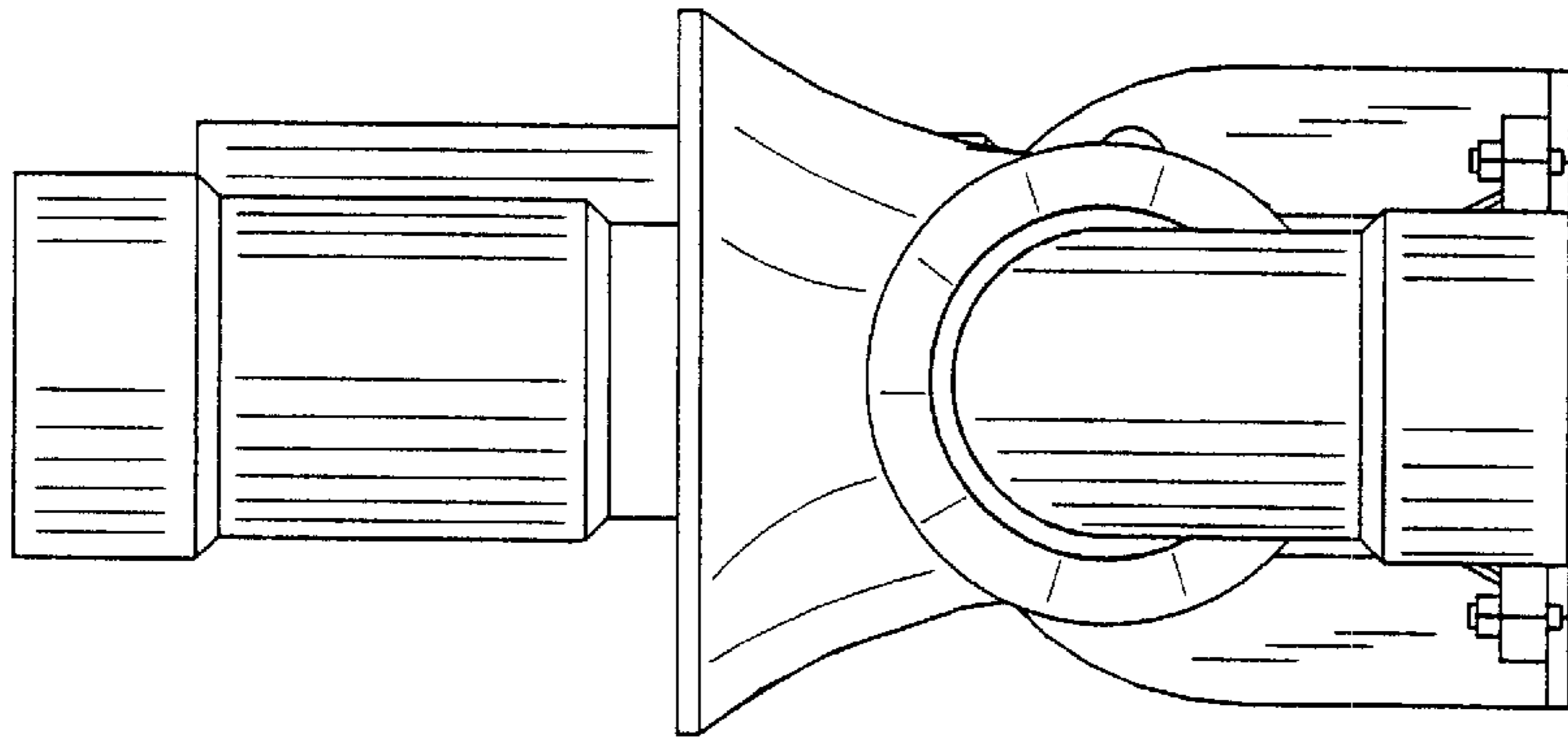


FIG. 3

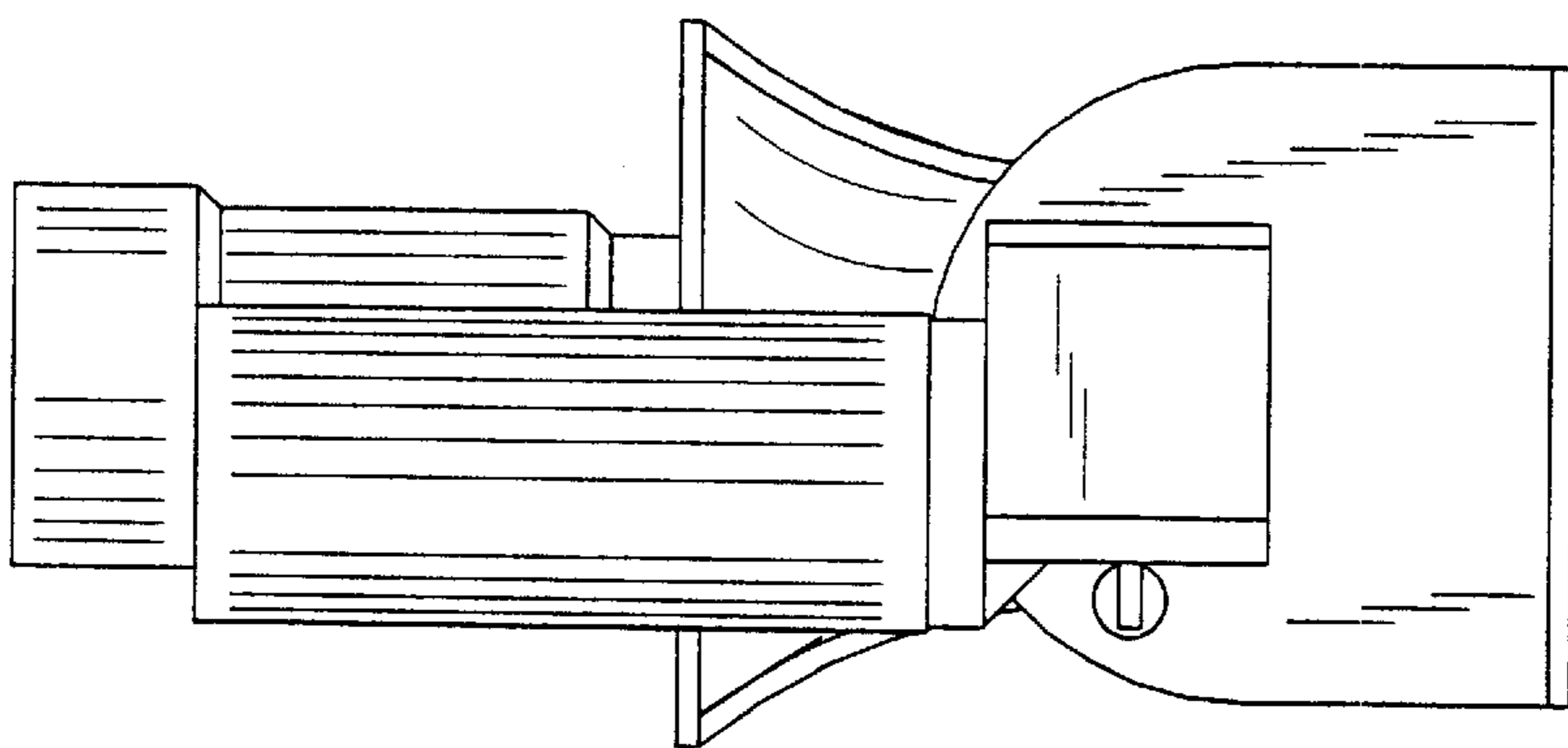


FIG. 4

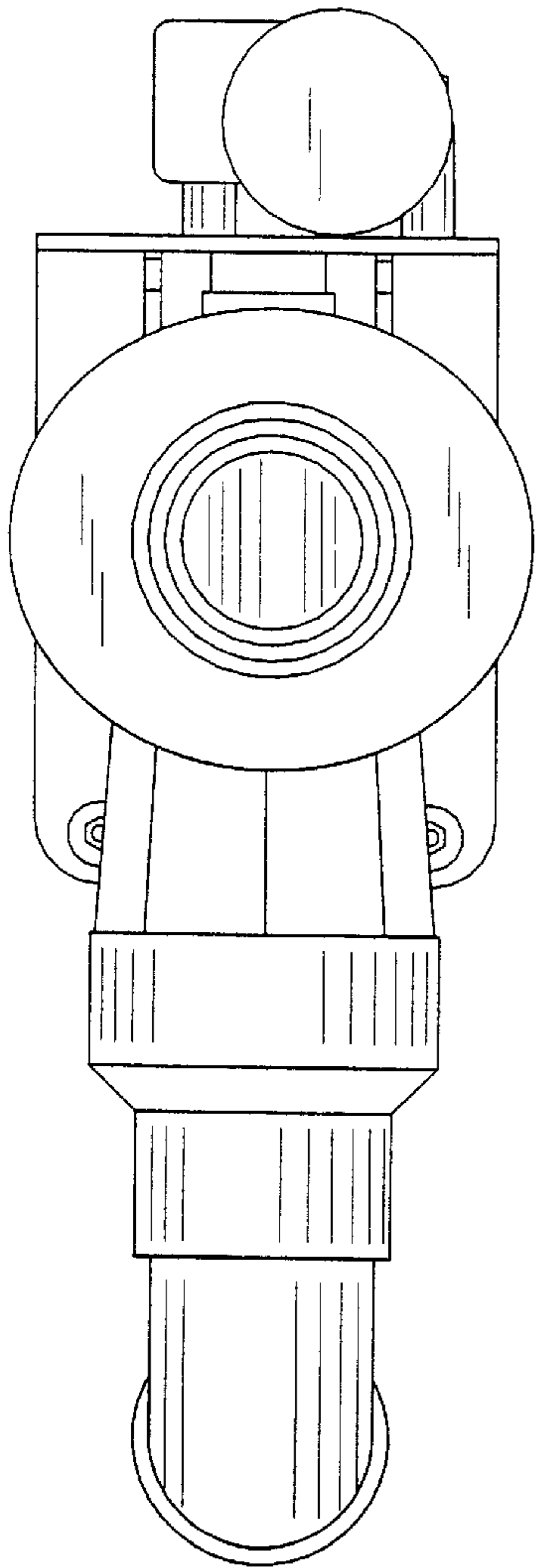


FIG. 5

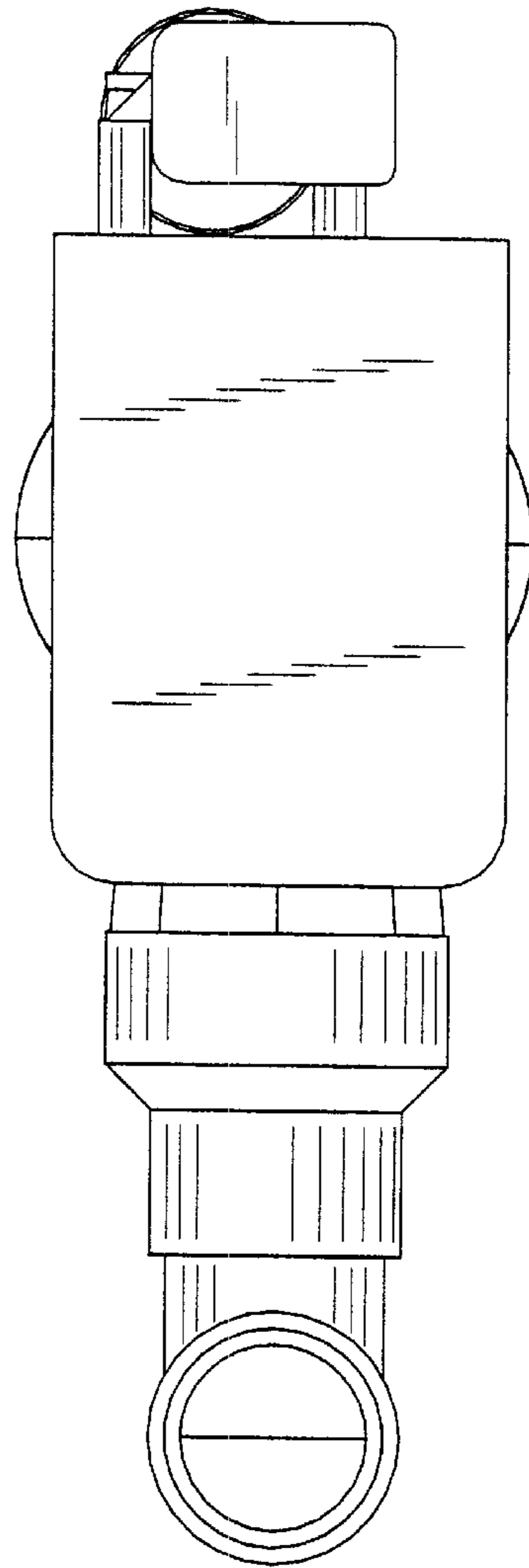


FIG. 6

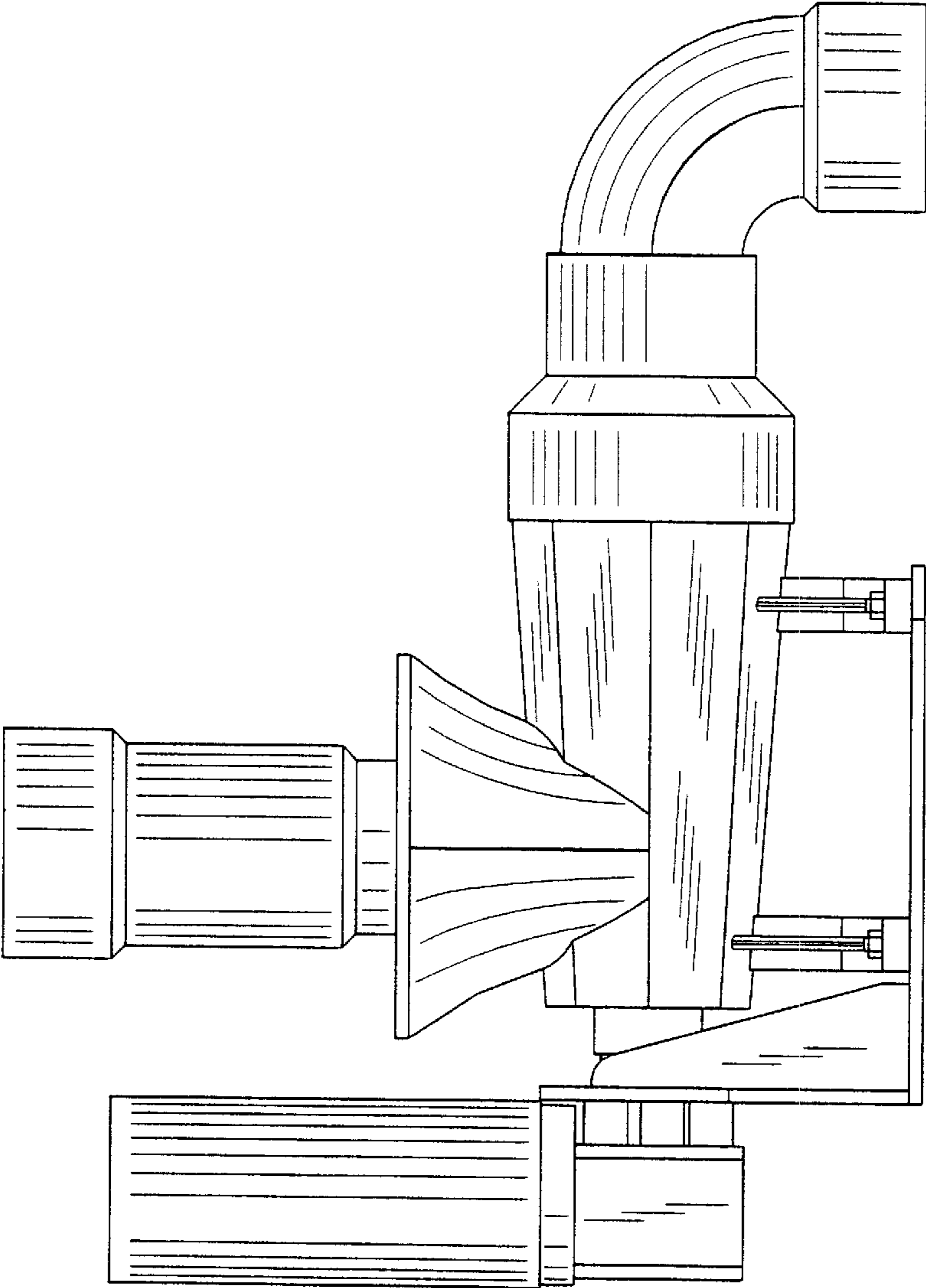


FIG. 7