

US00D541366S

(12) **United States Design Patent**  
**Rominger**

(10) **Patent No.:** **US D541,366 S**

(45) **Date of Patent:** **\*\* Apr. 24, 2007**

(54) **LOUNGER FOR DECK AND POOL USE**

(75) Inventor: **Patrick L. Rominger**, Wichita Falls,  
TX (US)

(73) Assignee: **TRC Recreation, LP**, Wichita Falls,  
TX (US)

(\*\*) Term: **14 Years**

(21) Appl. No.: **29/259,345**

(22) Filed: **May 5, 2006**

**Related U.S. Application Data**

(62) Division of application No. 29/238,747, filed on Sep. 20,  
2005.

(51) **LOC (8) Cl.** ..... **21-02**

(52) **U.S. Cl.** ..... **D21/803; D6/596**

(58) **Field of Classification Search** ..... D21/801,  
D21/803, 809; D6/596; D12/5, 6, 316; 114/345,  
114/346; 441/35, 66, 40-42, 129  
See application file for complete search history.

(56) **References Cited**

**U.S. PATENT DOCUMENTS**

- 33,385 A \* 10/1861 Frodsham ..... 224/156
- 2,850,252 A 9/1958 Ford
- 2,857,957 A 10/1958 Gay
- 2,986,751 A \* 6/1961 Baren ..... 441/66
- 3,336,610 A 8/1967 Geddings
- 3,808,616 A 5/1974 White
- D236,287 S \* 8/1975 McNair ..... D24/215
- 4,006,503 A 2/1977 Wood
- 4,037,591 A \* 7/1977 Sarno ..... 601/57
- D274,493 S 7/1984 Dyby
- 4,518,203 A 5/1985 White
- 4,634,393 A 1/1987 Wood
- 4,654,907 A 4/1987 Hauggard
- D299,988 S 2/1989 Parabita
- D303,560 S 9/1989 Scheurer
- D306,472 S 3/1990 Scheurer
- D306,473 S 3/1990 Scheurer
- D306,474 S 3/1990 Scheurer

- D315,187 S \* 3/1991 Thomas ..... D21/809
- 5,265,292 A 11/1993 Underell
- D341,983 S \* 12/1993 Wang ..... D6/604
- 5,314,395 A 5/1994 Ciolino
- D349,146 S 7/1994 Mahler
- D349,625 S \* 8/1994 daPalma ..... D6/596
- D350,586 S \* 9/1994 Francis ..... D21/809
- D355,004 S 1/1995 Hanning, Jr.
- 5,384,923 A 1/1995 Hwang et al.
- D365,485 S \* 12/1995 Rossman ..... D6/596
- D365,934 S 1/1996 Dean
- D368,199 S 3/1996 Winslow et al.
- D368,381 S 4/1996 Lang
- D376,945 S 12/1996 Bonaddio et al.
- D376,946 S \* 12/1996 Maxim ..... D6/596
- D382,756 S 8/1997 Ryan
- 5,779,513 A 7/1998 Burton et al.
- D398,181 S \* 9/1998 Lange et al. .... D6/596
- D407,785 S 4/1999 Scheurer et al.
- D409,268 S 5/1999 O'Rourke
- 6,062,930 A 5/2000 Smith
- D486,876 S 2/2004 Wilbanks
- D501,112 S \* 1/2005 Kasatshko et al. .... D6/604

\* cited by examiner

*Primary Examiner*—Janice Seeger

*Assistant Examiner*—Zenita I Bennett

(74) *Attorney, Agent, or Firm*—Dennis T. Griggs

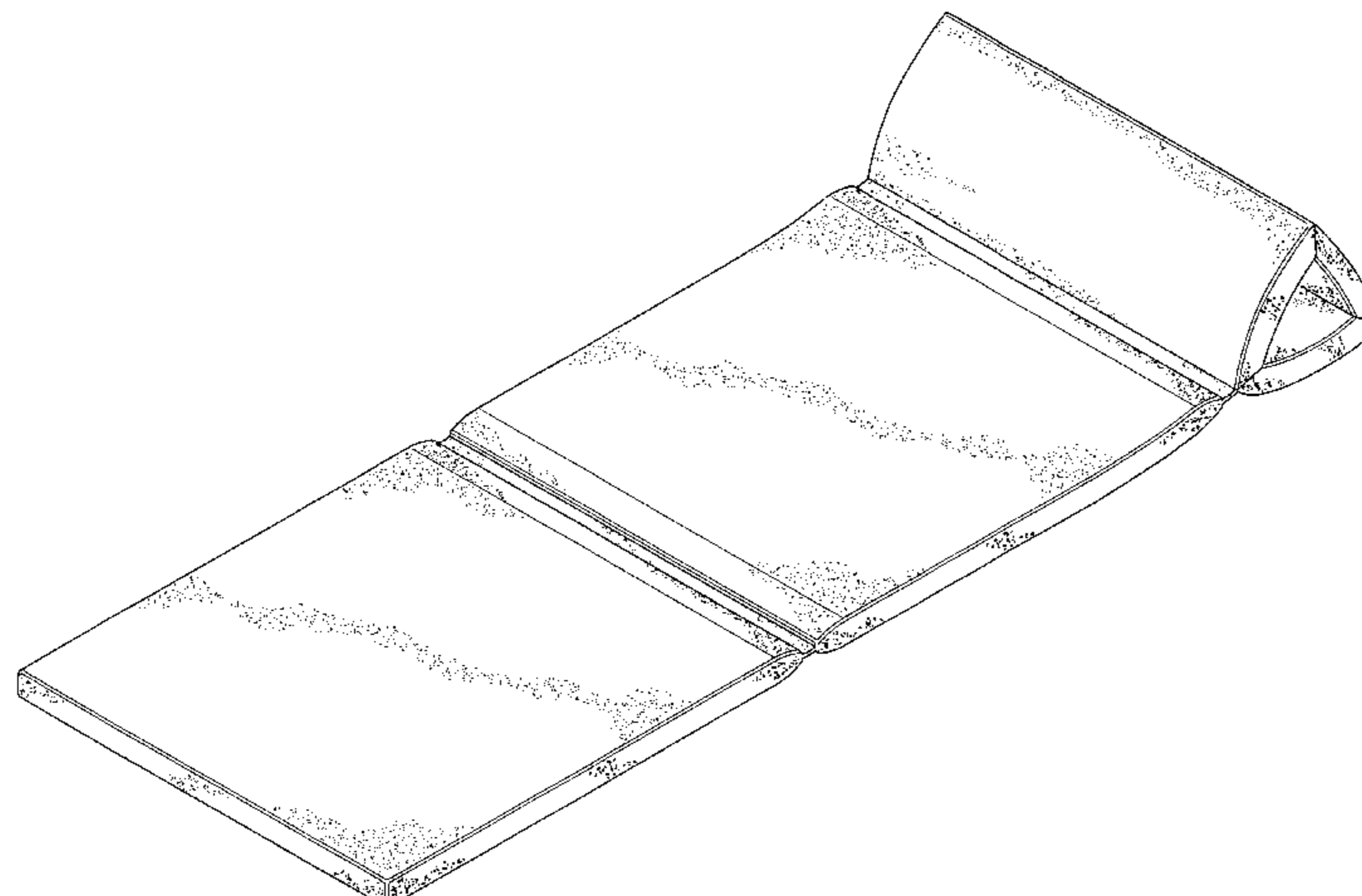
(57) **CLAIM**

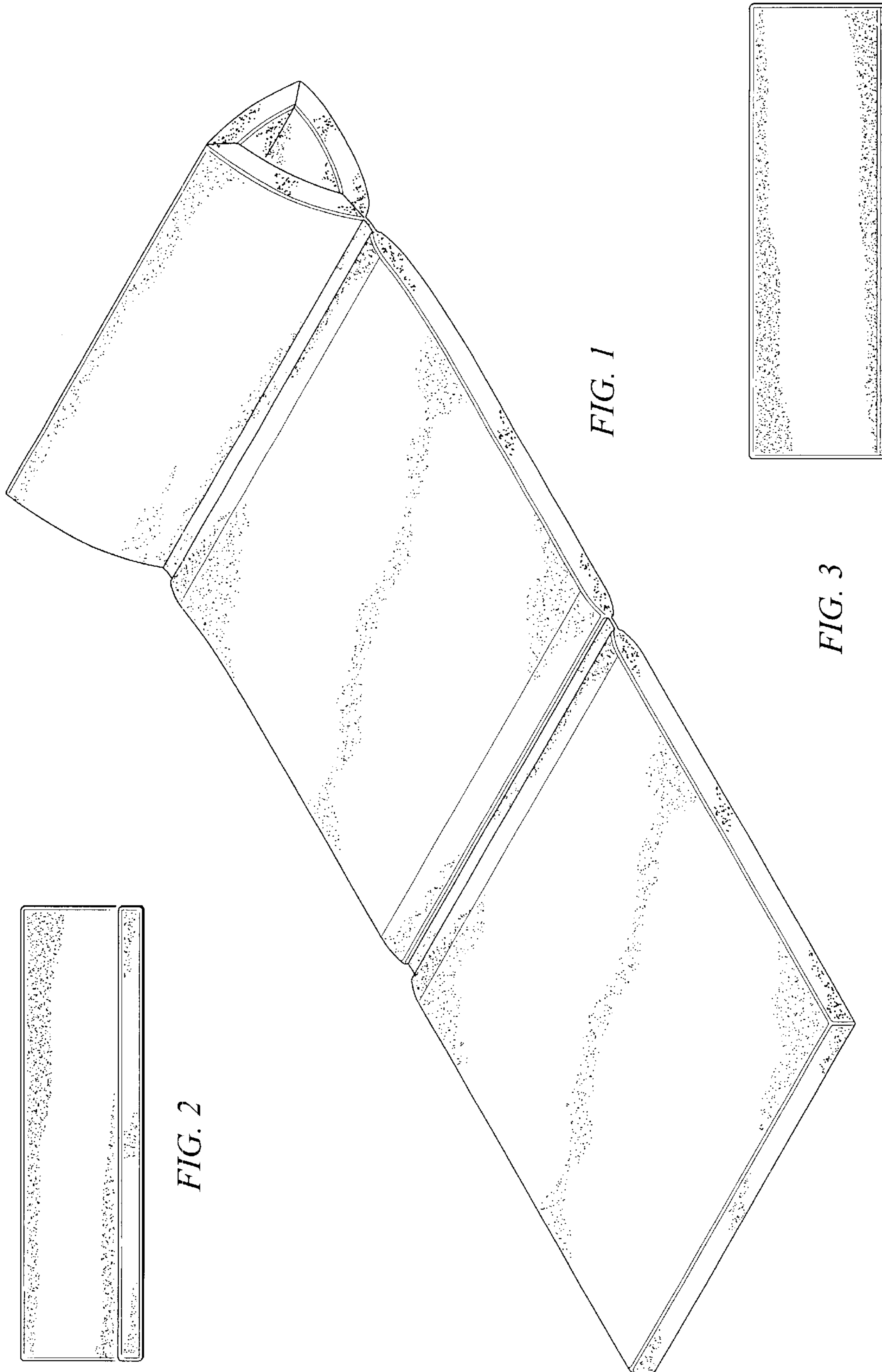
The ornamental design of a lounge for deck and pool use,  
as shown and described.

**DESCRIPTION**

FIG. 1 is a top perspective view of a lounge for deck and  
pool use showing my new design in fully-opened condition;  
FIG. 2 is a front elevational view thereof;  
FIG. 3 is a rear elevational view thereof;  
FIG. 4 is a top plan view thereof;  
FIG. 5 is a right side elevational view thereof, the left side  
elevational view being a mirror image thereof;  
FIG. 6 is a bottom plan view thereof; and,  
FIG. 7 is a perspective view a lounge for deck and pool use  
showing my new design in folded condition.

**1 Claim, 4 Drawing Sheets**





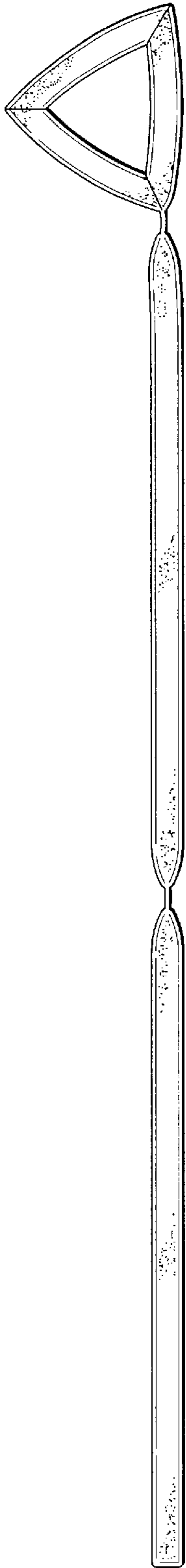


FIG. 5

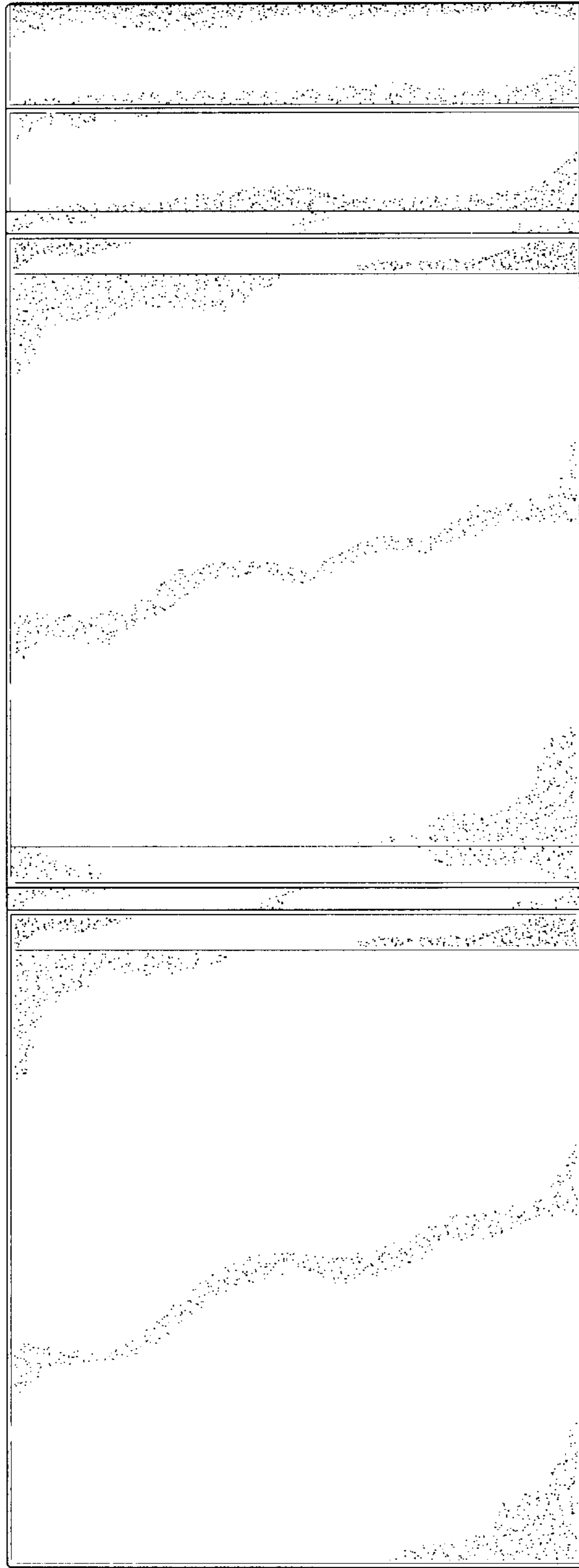
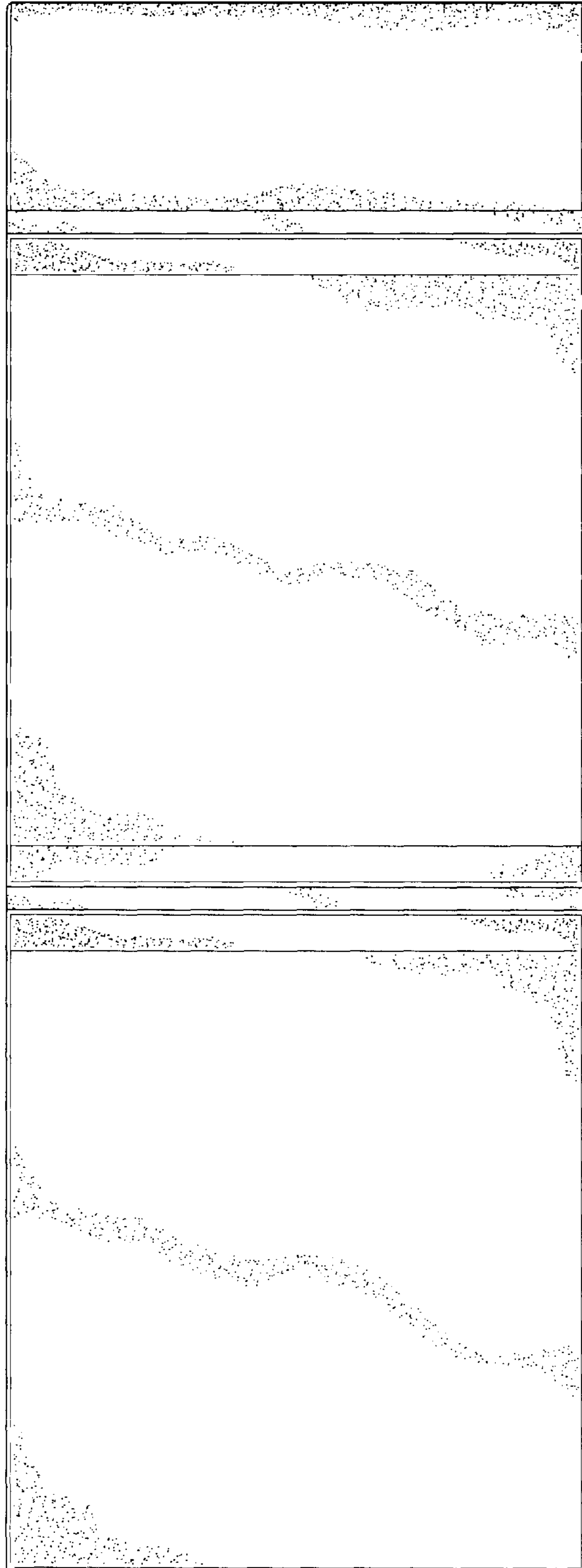
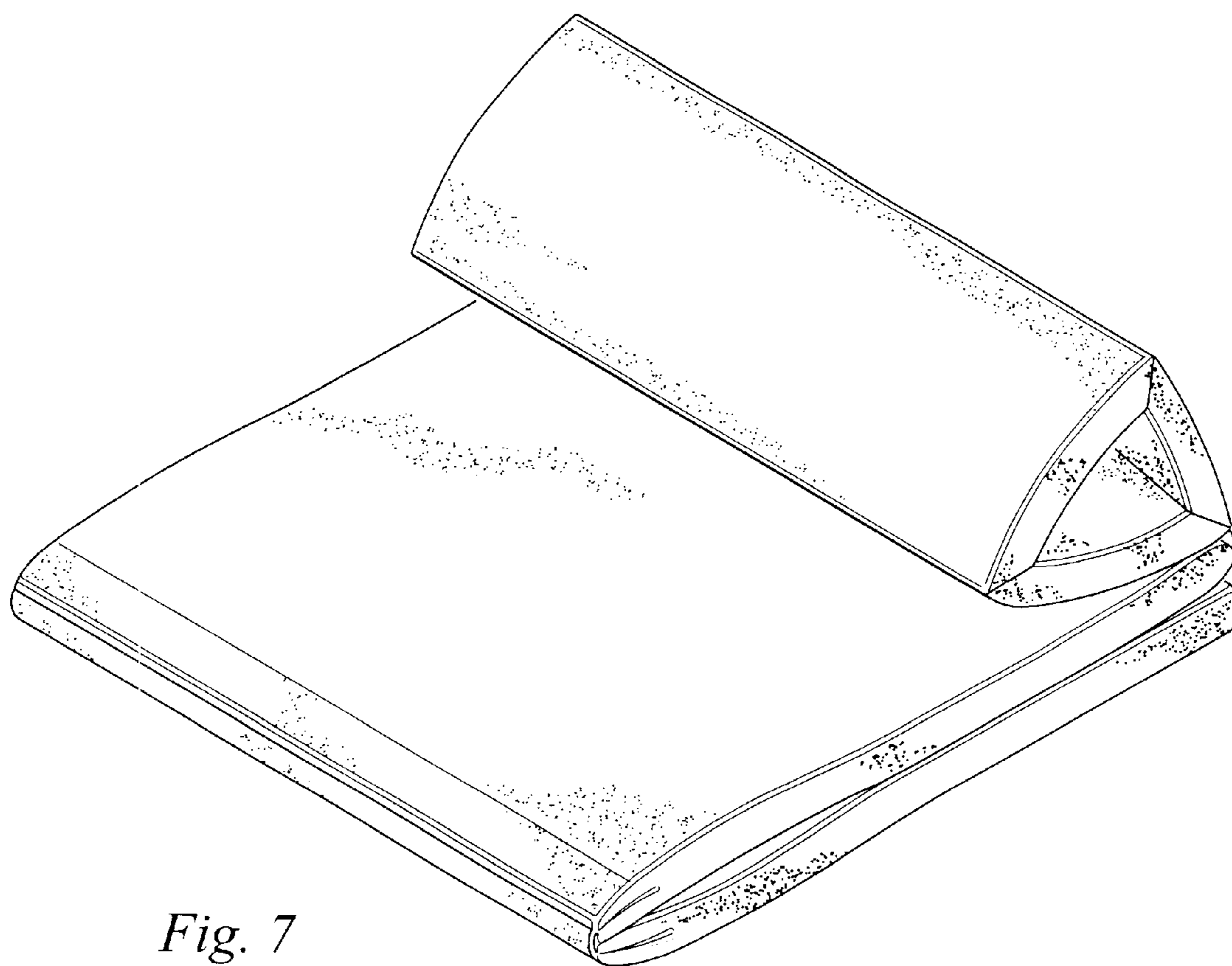


FIG. 4



*Fig. 6*



*Fig. 7*