

US00D541359S

(12) **United States Design Patent** (10) **Patent No.:** **US D541,359 S**  
**Sizemore, Jr.** (45) **Date of Patent:** **\*\* Apr. 24, 2007**

(54) **PUTTER HEAD**

(75) Inventor: **Bruce E. Sizemore, Jr.**, Palm Harbor, FL (US)

(73) Assignee: **AS Designs, LLC**, Franklin, PA (US)

(\*\*) Term: **14 Years**

(21) Appl. No.: **29/252,019**

(22) Filed: **Jan. 17, 2006**

(51) **LOC (8) Cl.** ..... **21-02**

(52) **U.S. Cl.** ..... **D21/736**

(58) **Field of Classification Search** ..... D21/736-746;  
473/324-331, 340, 341, 251-256

See application file for complete search history.

(56) **References Cited**

U.S. PATENT DOCUMENTS

4,871,174 A	*	10/1989	Kobayashi	.....	473/252
5,993,324 A	*	11/1999	Gammil	.....	473/251
D507,028 S	*	7/2005	Kriser, II	.....	D21/736

\* cited by examiner

*Primary Examiner*—Mitchell Siegel

(74) *Attorney, Agent, or Firm*—Thorp Reed & Armstrong, LLP

(57) **CLAIM**

The ornamental design for a putter head, as shown and described.

**DESCRIPTION**

FIG. 1 is a perspective view of a first embodiment of a putter head; said embodiment having a first top view.

FIG. 2 is a front elevational view of the putter head of FIG. 1.

FIG. 3 is a rear elevational view of the putter head of FIG. 1.

FIG. 4 is a bottom plan view of the putter head of FIG. 1. FIG. 5 is a right elevational view of the putter head of FIG. 1.

FIG. 6 is a top plan view of the putter head of FIG. 1. FIG. 7 is a left elevational view of the putter head of FIG. 1.

FIG. 8 is a top plan view of a second embodiment of the putter head disclosed in FIG. 1. The undisclosed front, rear, left, right and bottom views of the putter head, are identical to those disclosed in embodiment 1.

FIG. 9 is a top plan view of a third embodiment of the putter head disclosed in FIG. 1. The undisclosed front is identical to that disclosed in embodiment 1;

FIG. 10 is a bottom plan view of the putter head of FIG. 9. FIG. 11 is a rear elevational view of the putter head of FIG. 9.

FIG. 12 is a left elevational view of the putter head of FIG. 9.

FIG. 13 is a right elevational view of the putter head of FIG. 9.

FIG. 14 is a perspective view of a fourth embodiment of the putter head disclosed in FIG. 1. The undisclosed front, rear, left and right views of the putter head are identical to those disclosed in embodiment 1;

FIG. 15 is a top plan view of the putter head of FIG. 14.

FIG. 16 is a bottom plan view of the putter head of FIG. 14.

FIG. 17 is a top plan view of a fifth embodiment of the putter head disclosed in FIG. 1. The undisclosed front, rear, left and right views of the putter head, are identical to those disclosed in embodiment 1;

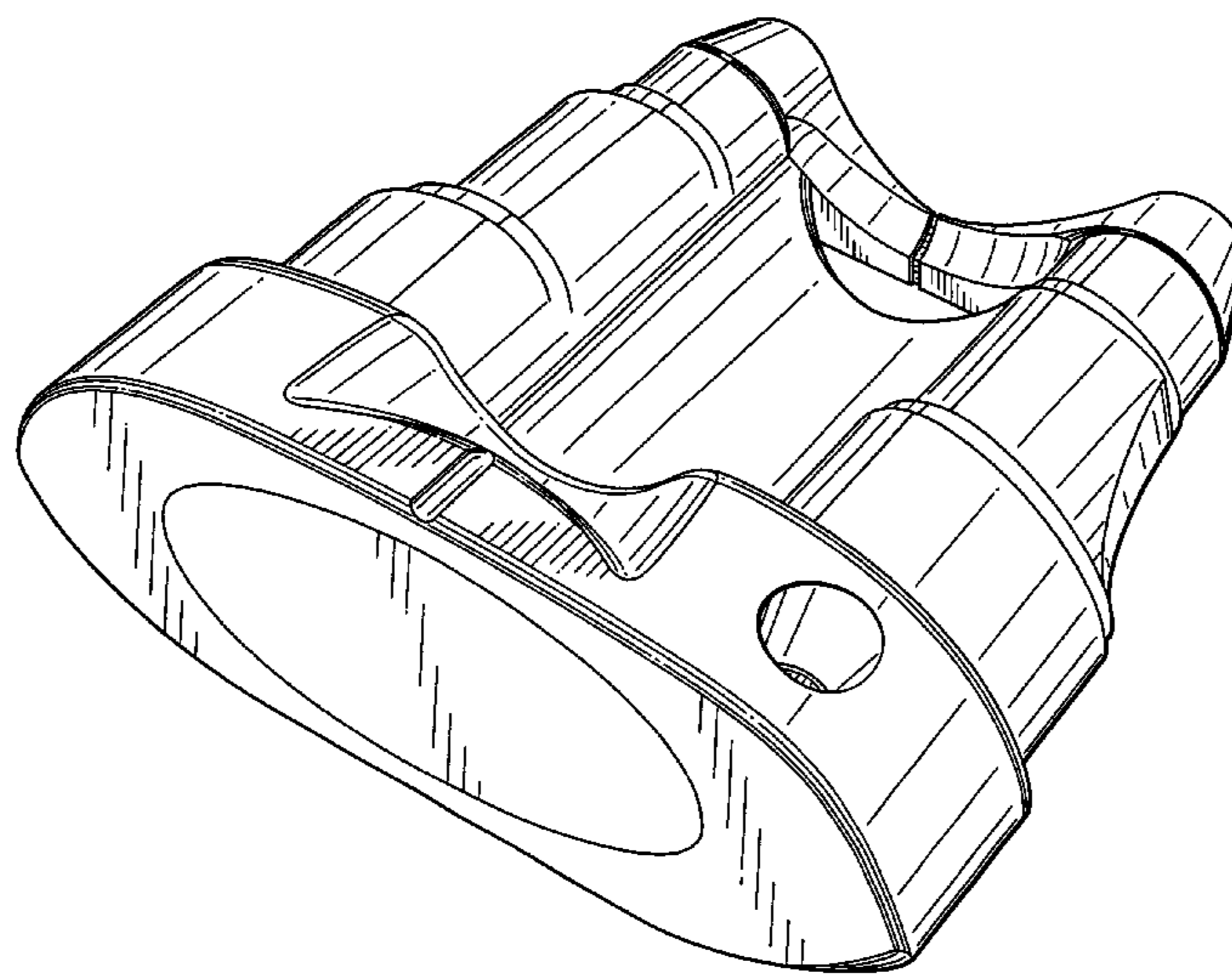
FIG. 18 is a bottom plan view of the putter head of FIG. 17.

FIG. 19 is a top plan view of a sixth embodiment of the putter head disclosed in FIG. 1. The undisclosed front, rear, left and right views of the putter head, are identical to those disclosed in embodiment 1; and,

FIG. 20 is a bottom plan view of the putter head of FIG. 19.

“The solid black surface shading on FIG. 9-13 is shown to represent color contrast only; the color black is not claimed”.

**1 Claim, 11 Drawing Sheets**



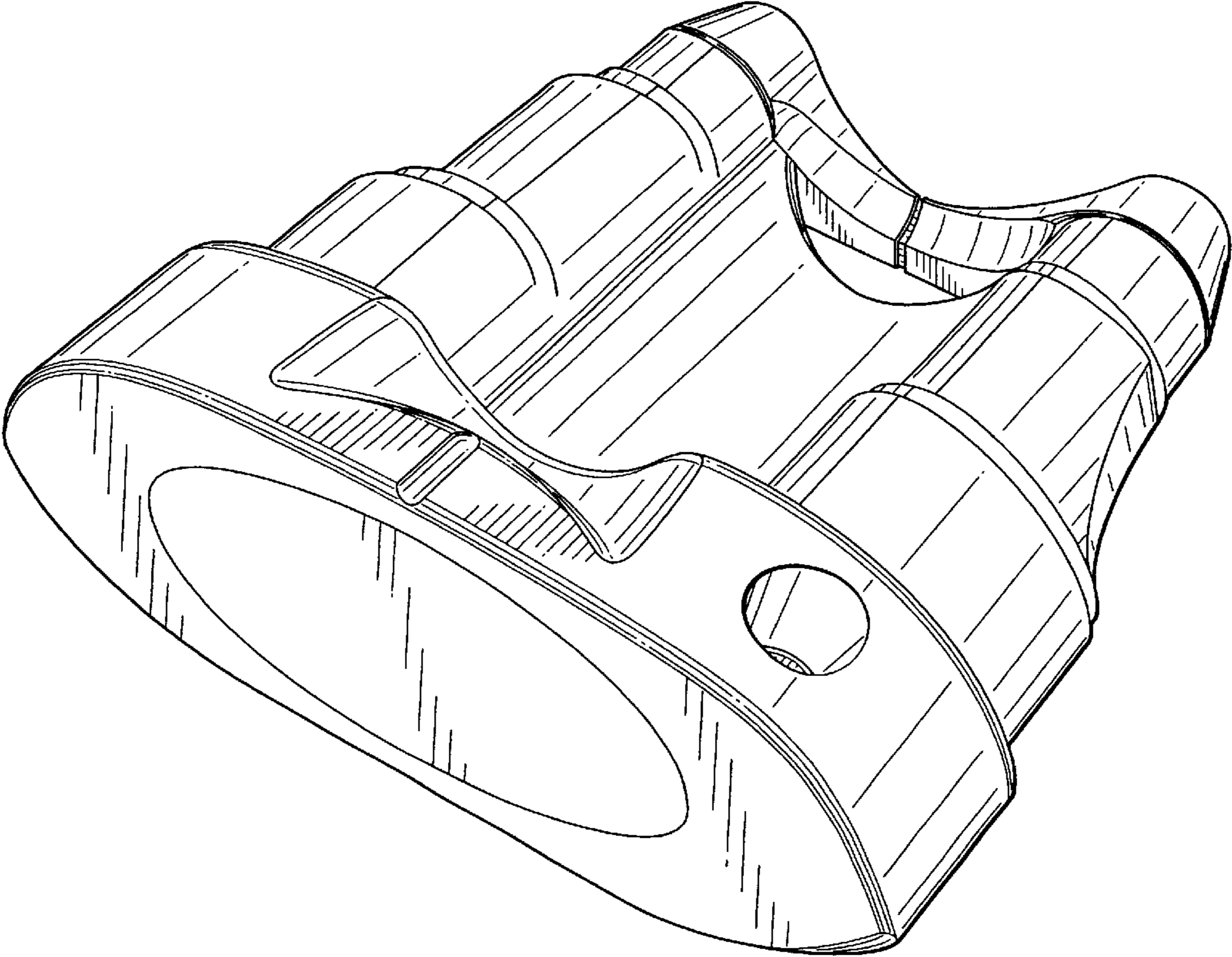


FIG. 1

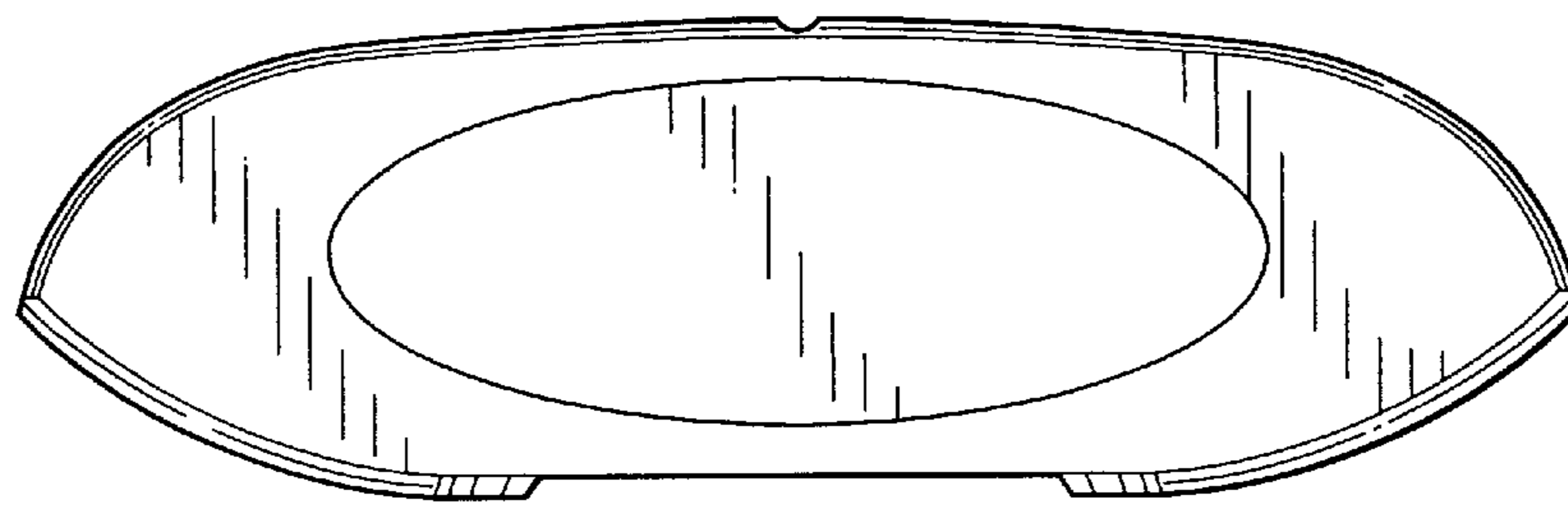


FIG. 2

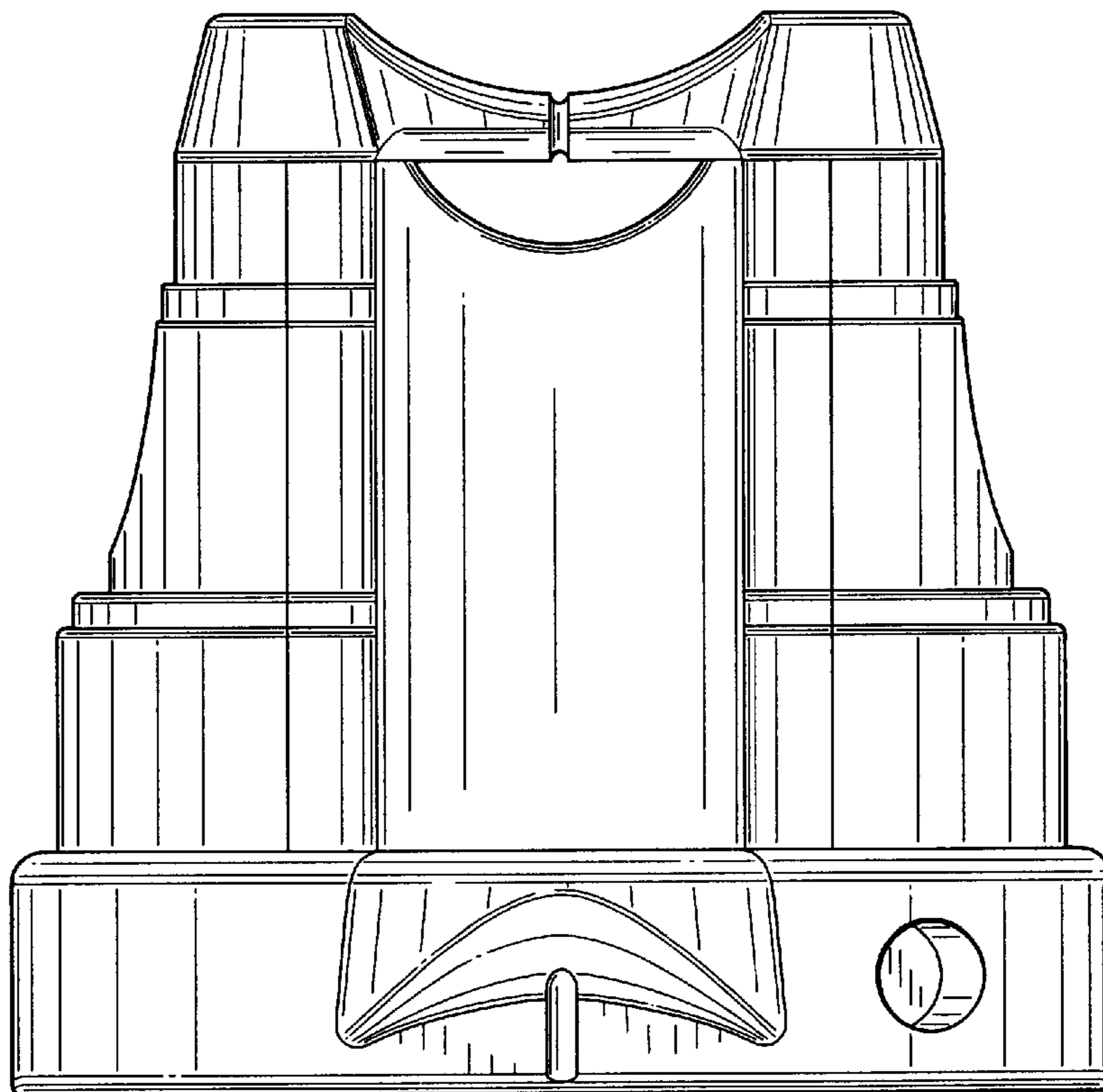


FIG. 6

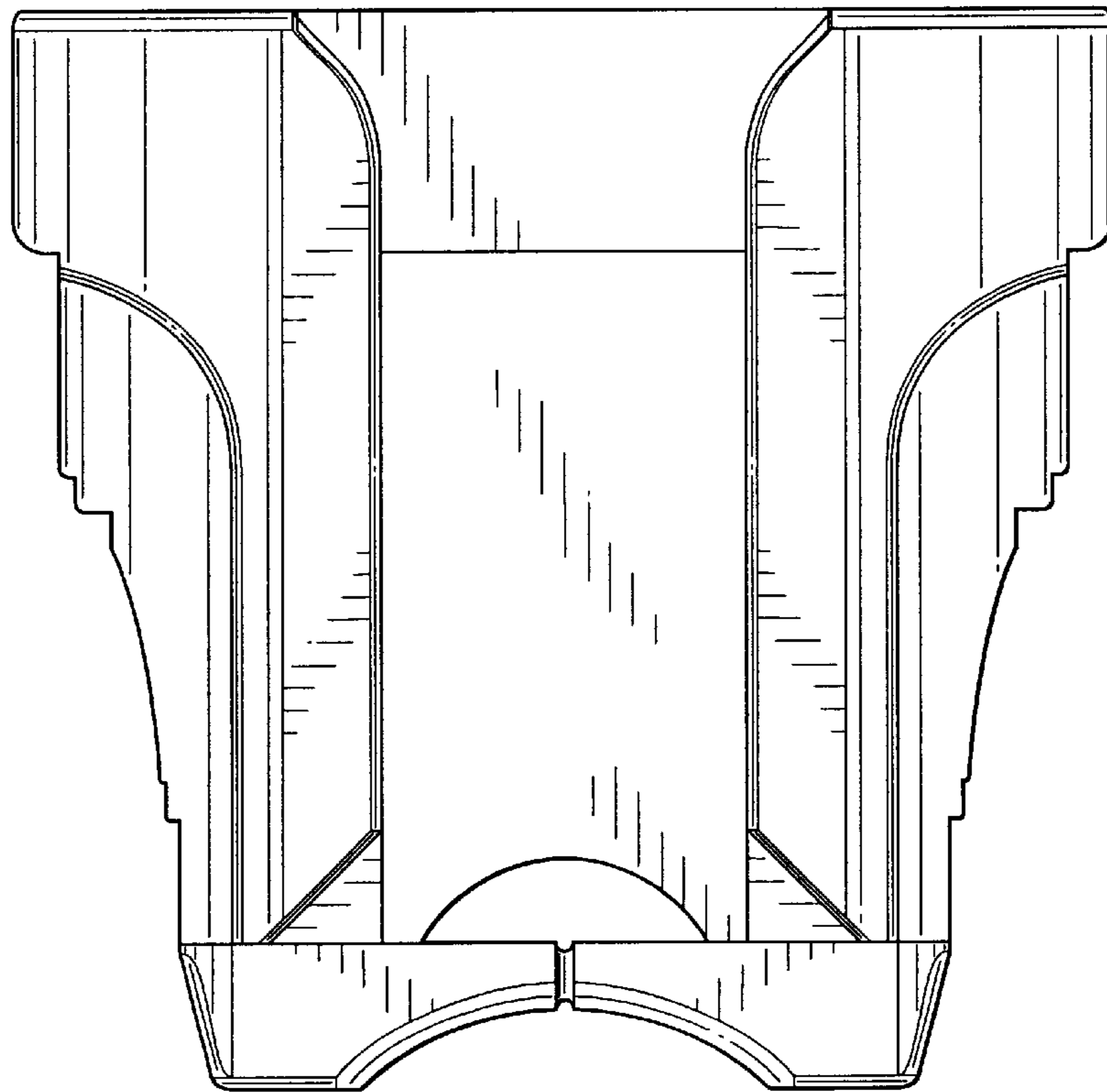


FIG. 4

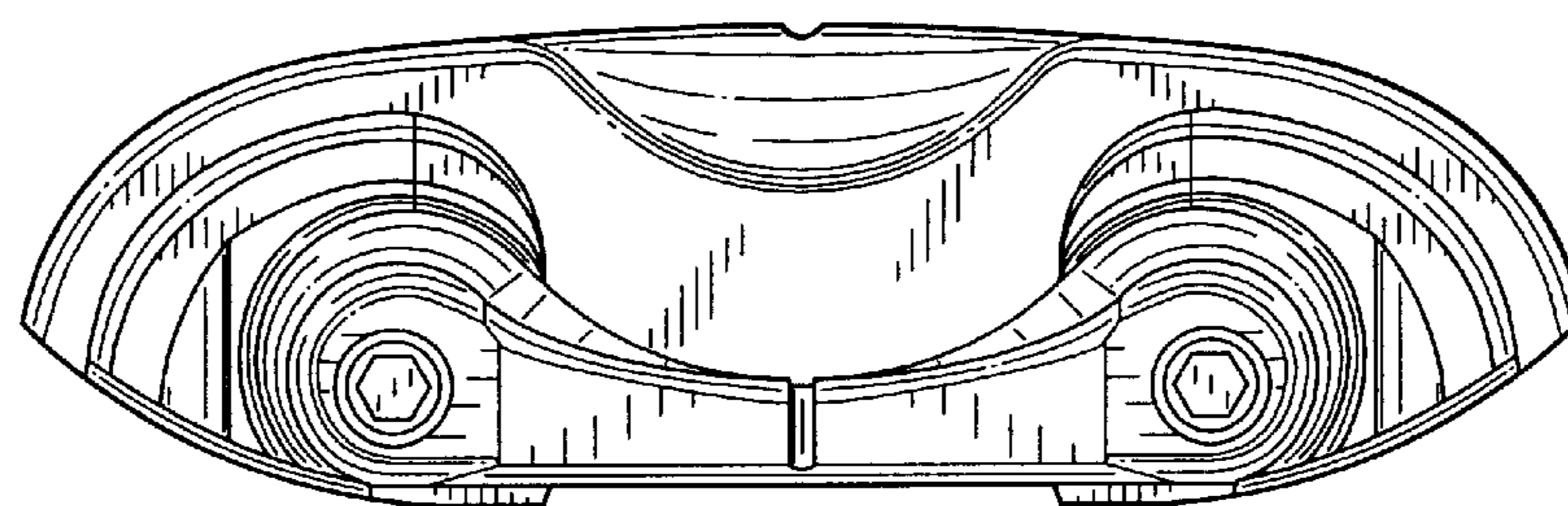


FIG. 3

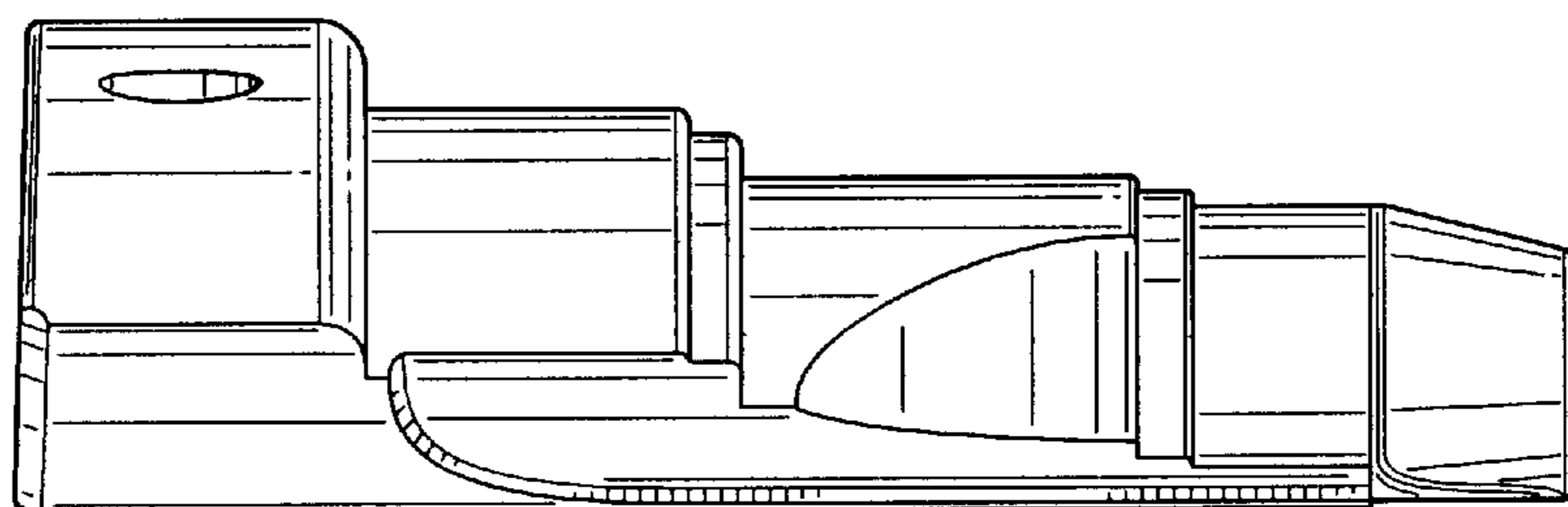


FIG. 5

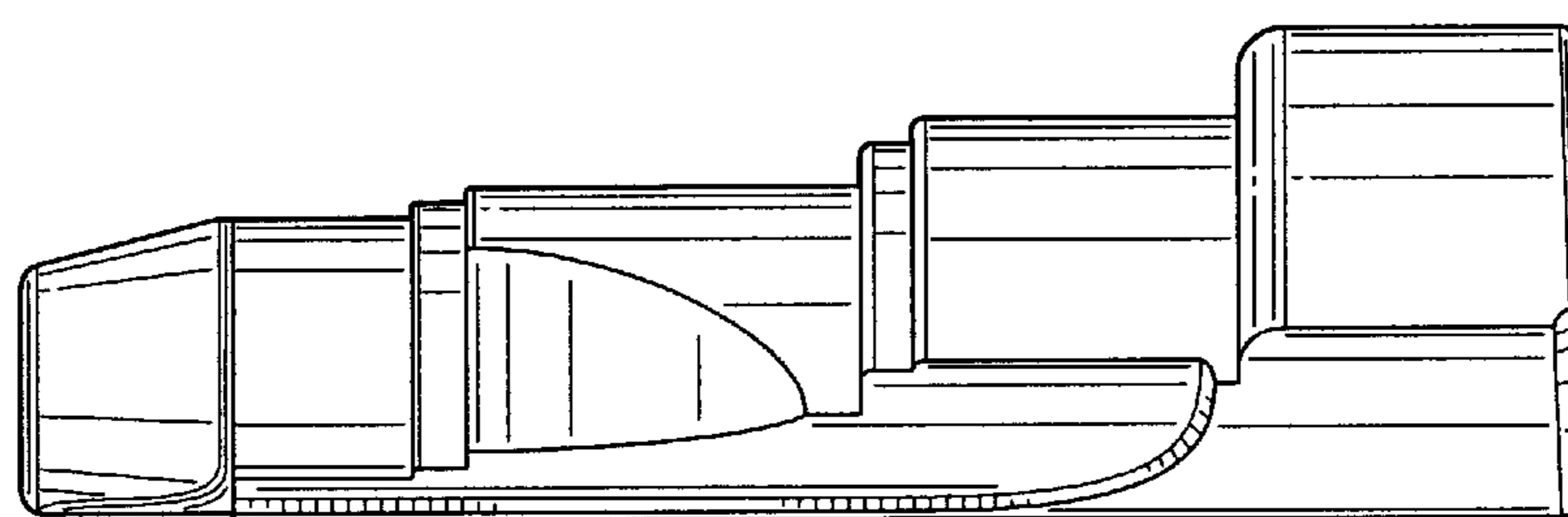


FIG. 7

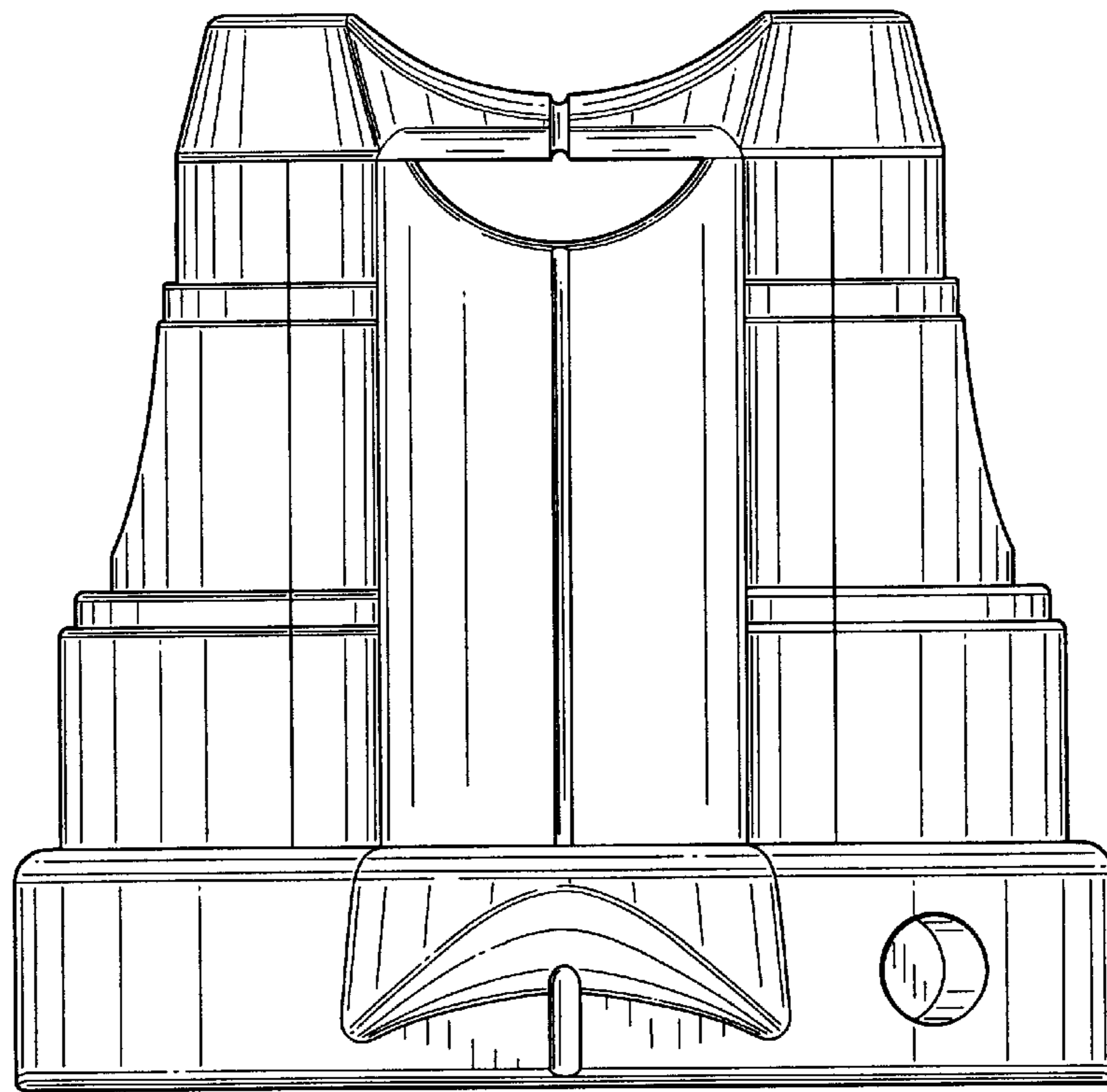


FIG. 8

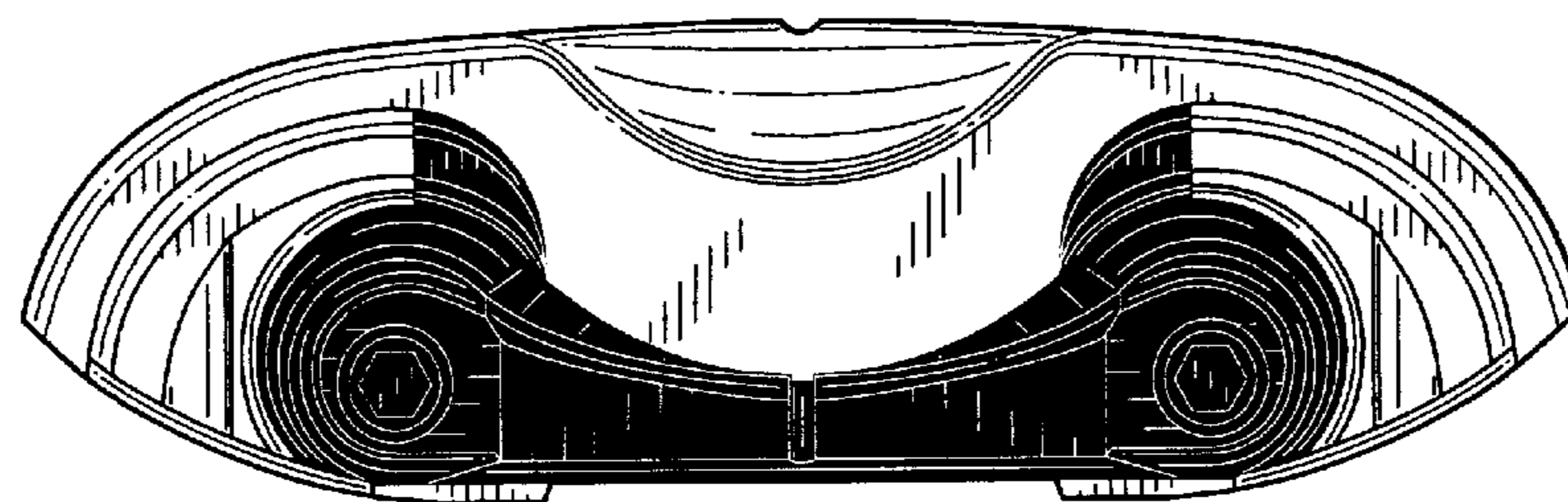


FIG. 11

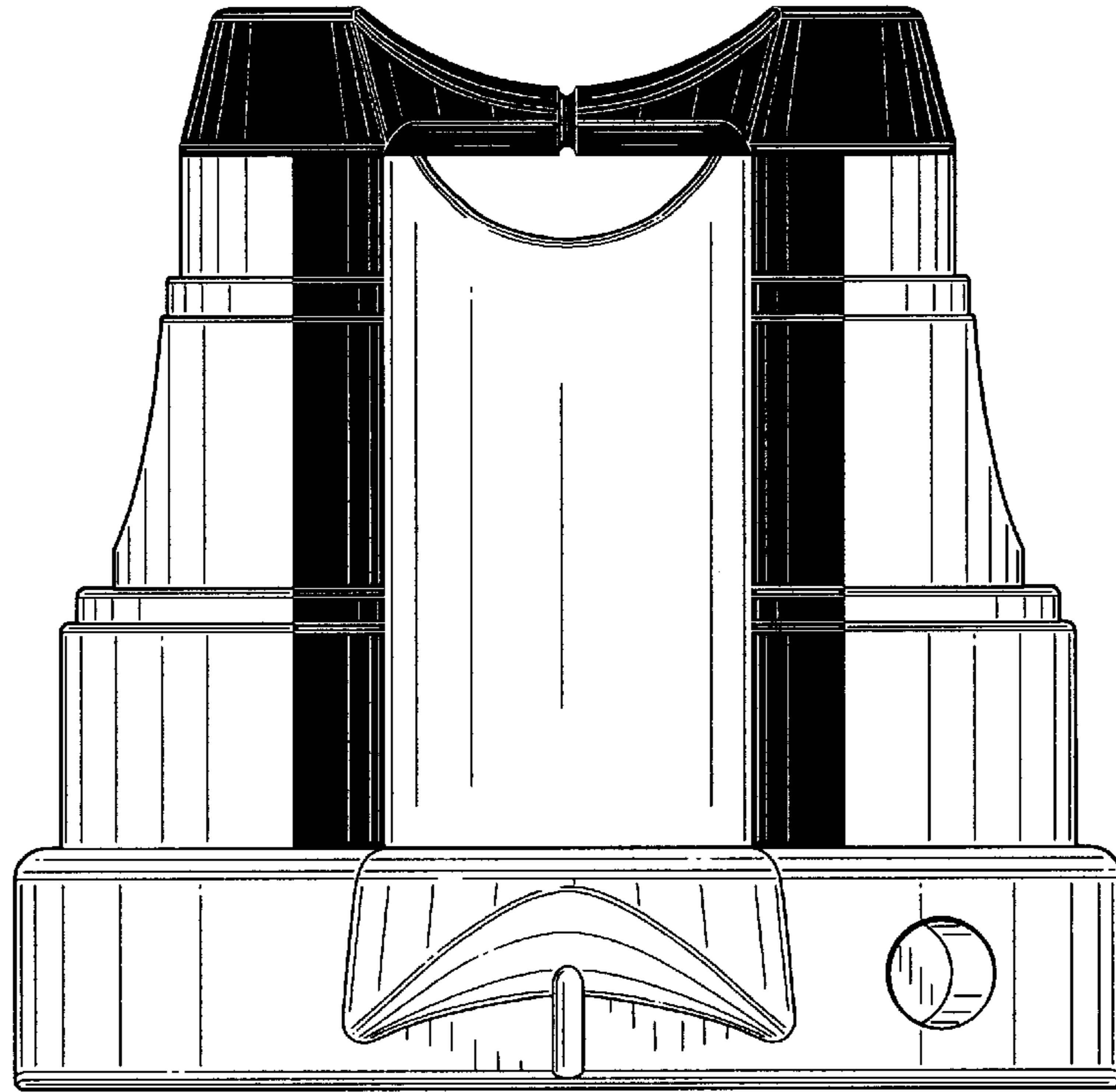


FIG. 9

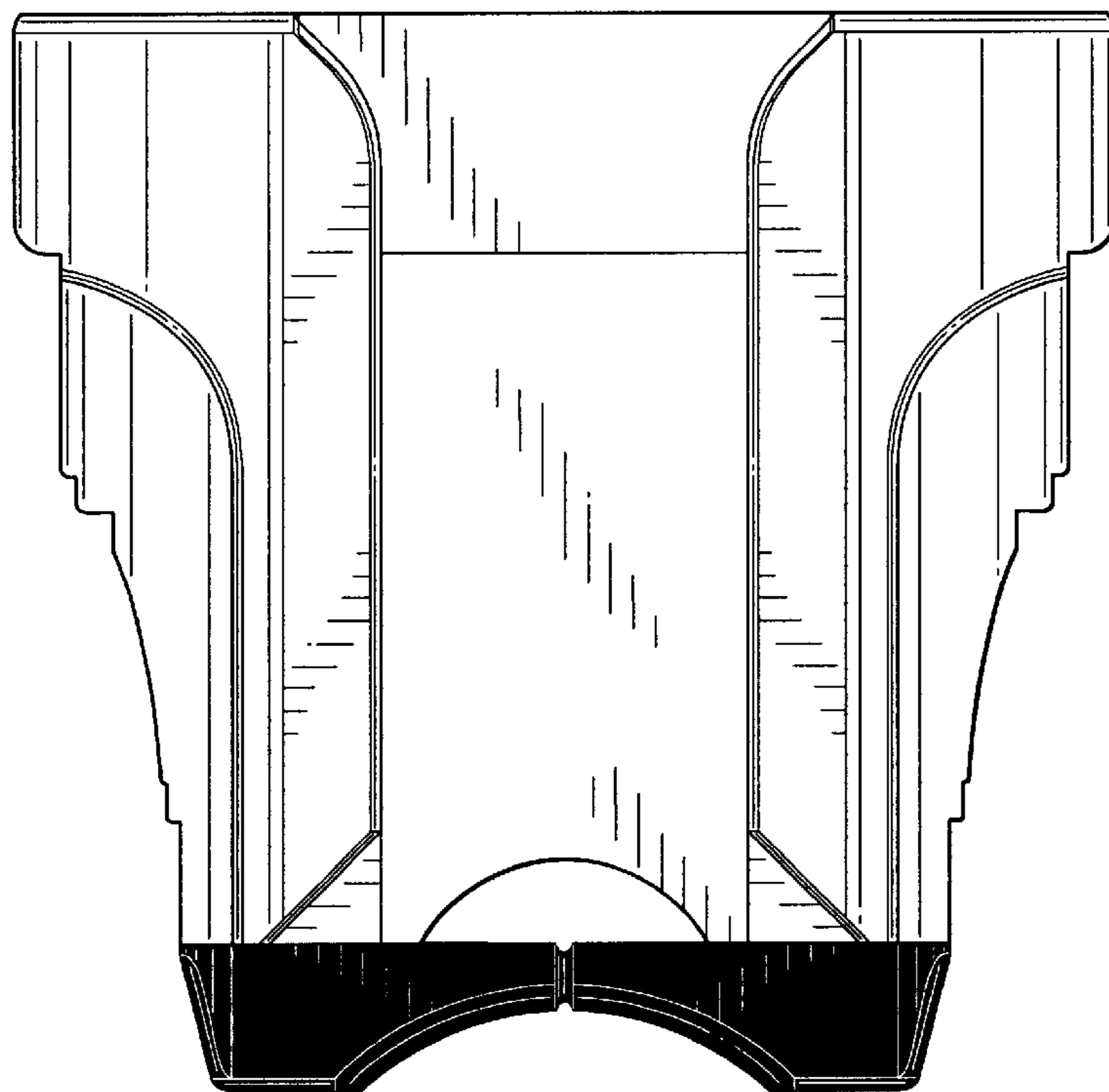


FIG. 10

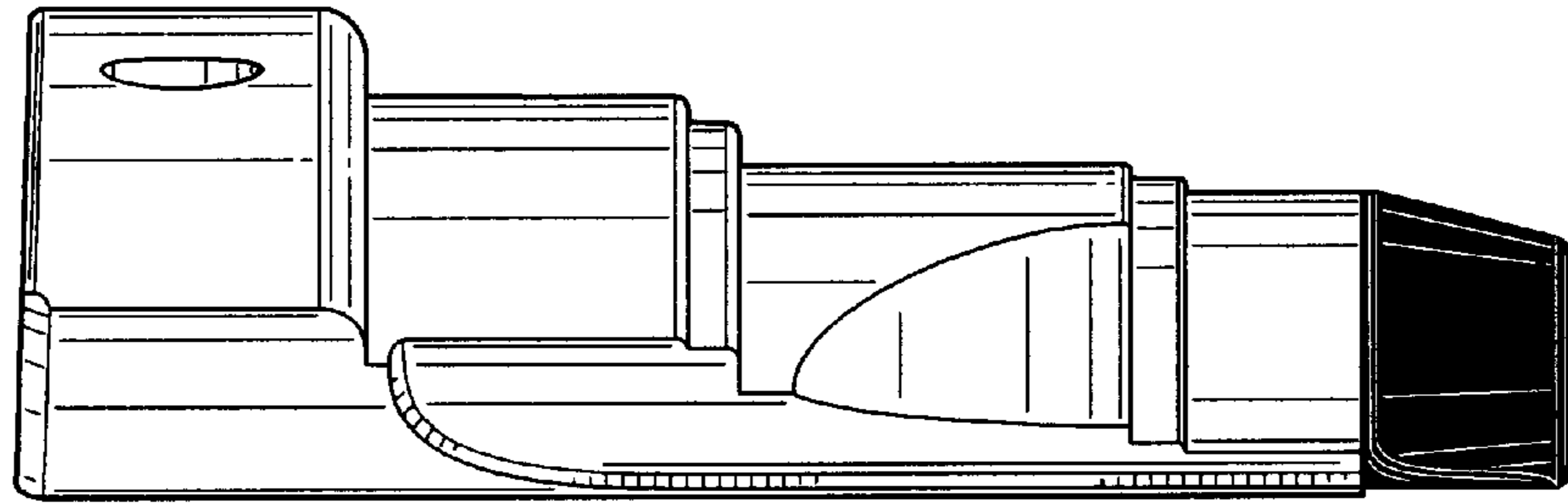


FIG. 13

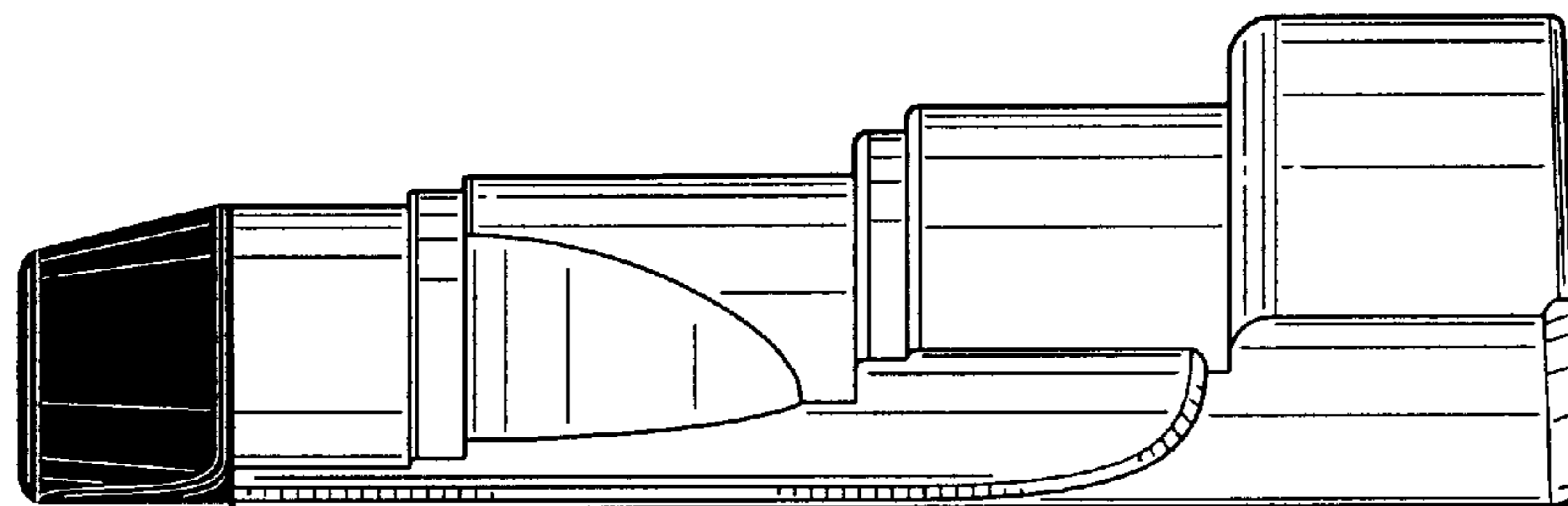


FIG. 12



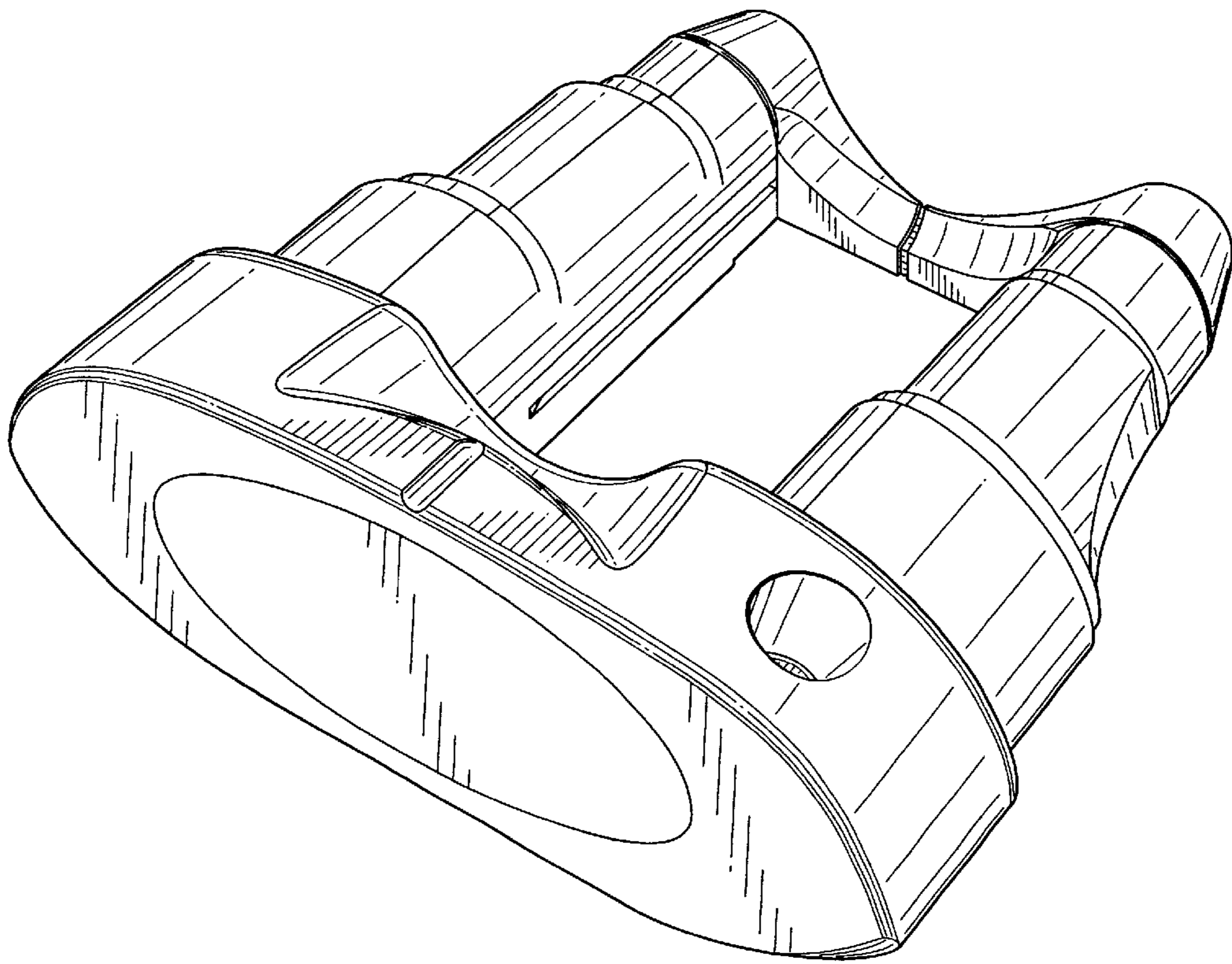


FIG. 14

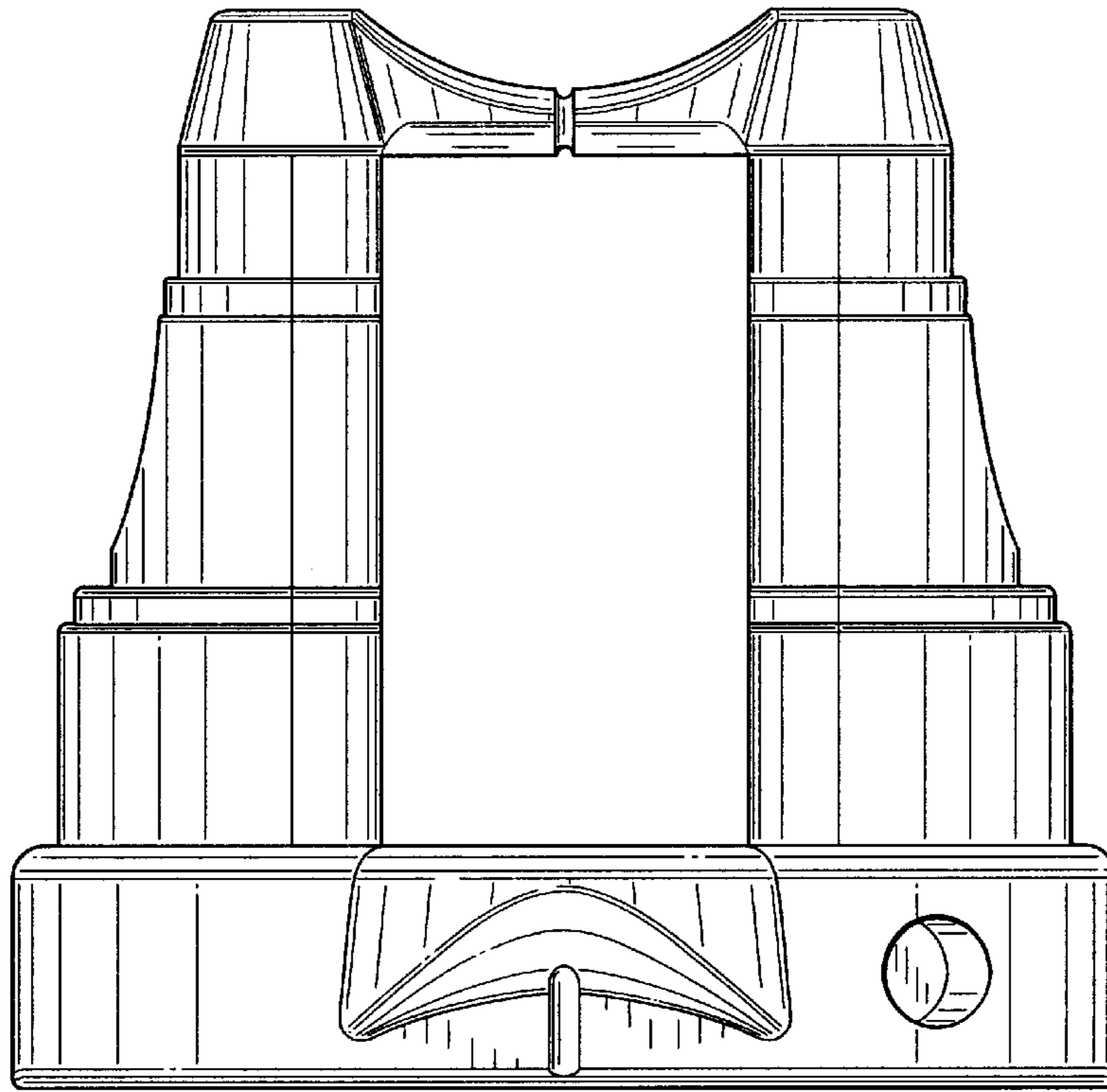


FIG. 15

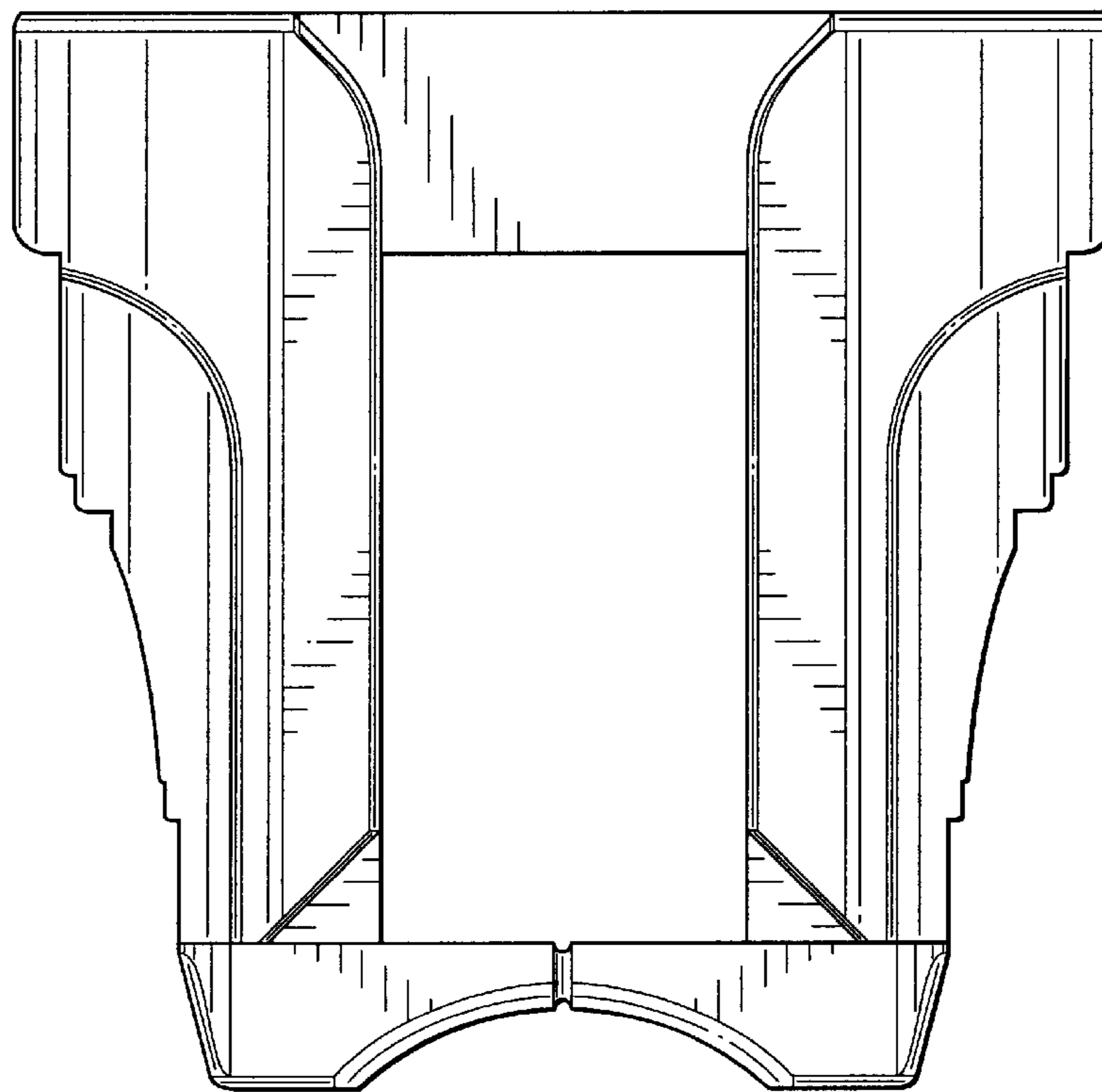


FIG. 16

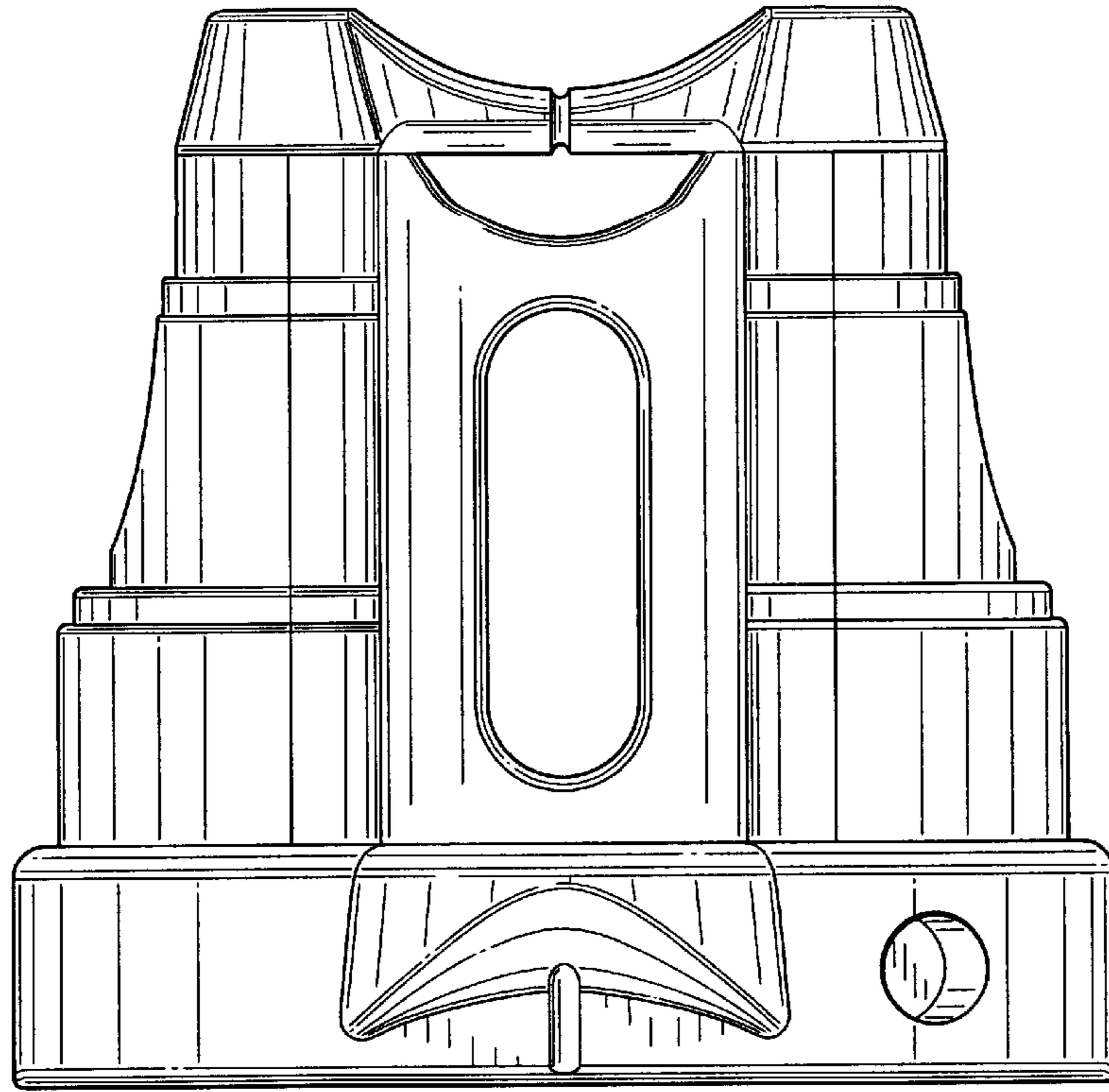


FIG. 17

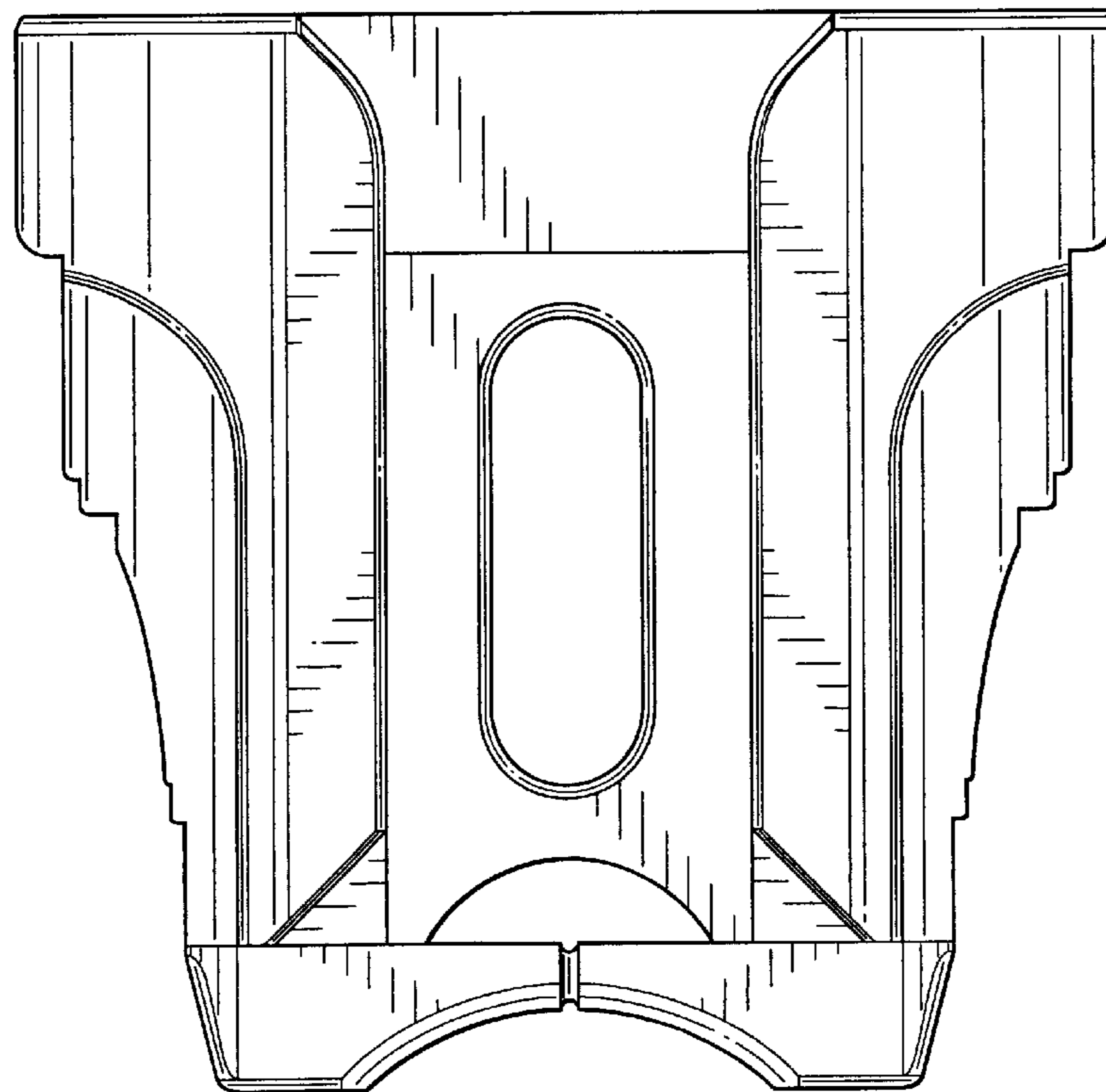


FIG. 18

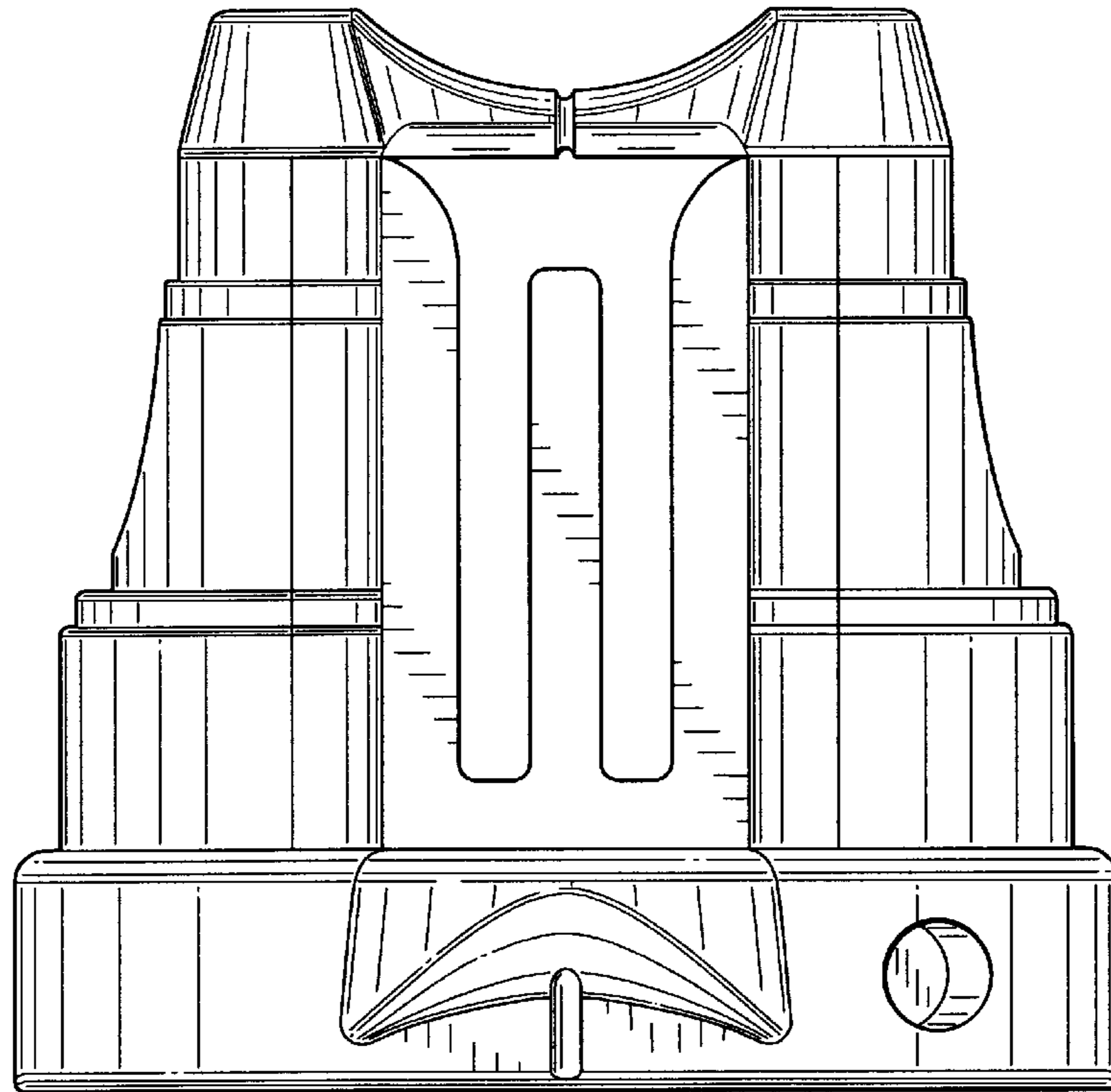


FIG. 19

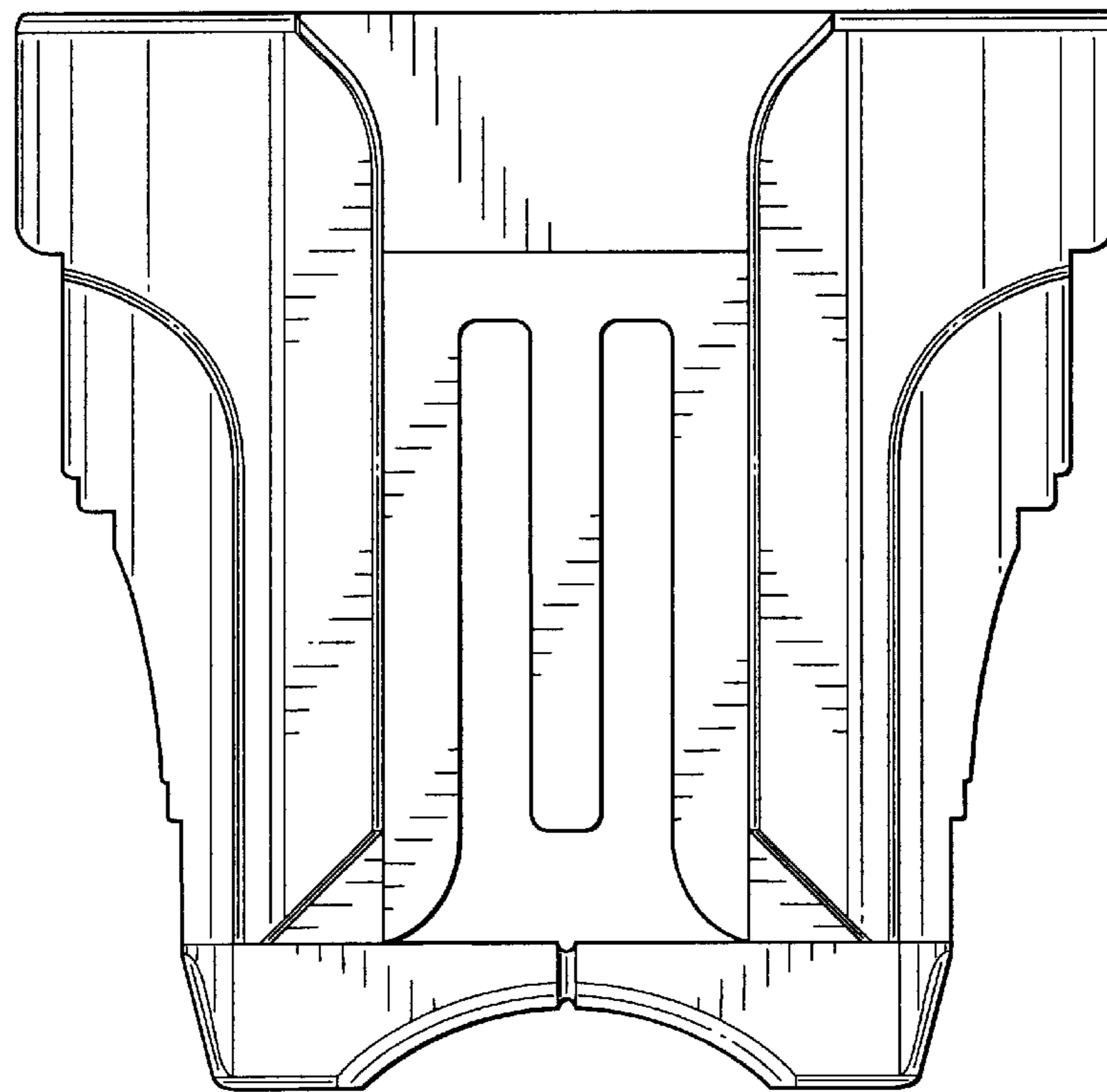


FIG. 20