

US00D541357S

(12) **United States Design Patent**
Webber

(10) **Patent No.:** **US D541,357 S**

(45) **Date of Patent:** **** Apr. 24, 2007**

(54) **FOLDING EXERCISE BENCH**

(76) Inventor: **Randall T. Webber**, 1265 Park Row,
La Jolla, CA (US) 92037

(**) Term: **14 Years**

(21) Appl. No.: **29/243,777**

(22) Filed: **Nov. 30, 2005**

(51) **LOC (8) Cl.** **21-02**

(52) **U.S. Cl.** **D21/690**

(58) **Field of Classification Search** D21/662,
D21/676, 686, 690; 482/104, 133, 140, 142,
482/96; D24/183

See application file for complete search history.

(56) **References Cited**

U.S. PATENT DOCUMENTS

D254,562	S	*	3/1980	Pearo	D21/690
4,623,144	A		11/1986	Rockwell		
4,627,619	A		12/1986	Rockwell et al.		
5,190,513	A	*	3/1993	Habing et al.	482/145
D339,617	S	*	9/1993	Harashima	D21/690
D366,917	S	*	2/1996	Clem	D21/690
D370,506	S	*	6/1996	Clem	D21/687
D406,290	S	*	3/1999	McBride	D21/690
D425,153	S	*	5/2000	Grider	D21/690
6,123,653	A	*	9/2000	Huang	482/142
6,206,809	B1		3/2001	Habing et al.		
6,248,047	B1		6/2001	Abdo		
6,258,016	B1		7/2001	Kuo		
6,287,243	B1	*	9/2001	Isom et al.	482/142
6,287,244	B1		9/2001	Boos		
6,379,289	B1		4/2002	Gossie		
6,387,024	B1		5/2002	Monti et al.		
6,478,721	B1		11/2002	Hunter		
6,491,607	B2		12/2002	Simmons et al.		
6,544,154	B2	*	4/2003	Forcillo	482/142
6,575,884	B1		6/2003	Eazor		
D477,372	S	*	7/2003	Garner	D21/690
6,712,743	B2	*	3/2004	Chen	482/142

6,740,015 B1 5/2004 Stearns
D519,585 S * 4/2006 Webber D21/690
2006/0217249 A1 9/2006 Webber

OTHER PUBLICATIONS

U. K. Fitness Supplies Websight. found on internet, Oct. 2,
2006, Page of Mid-Section (abdominal) machines.*

(Continued)

Primary Examiner—Philip S. Hyder

(74) *Attorney, Agent, or Firm*—Procopio Cory Hargraves &
Savitch

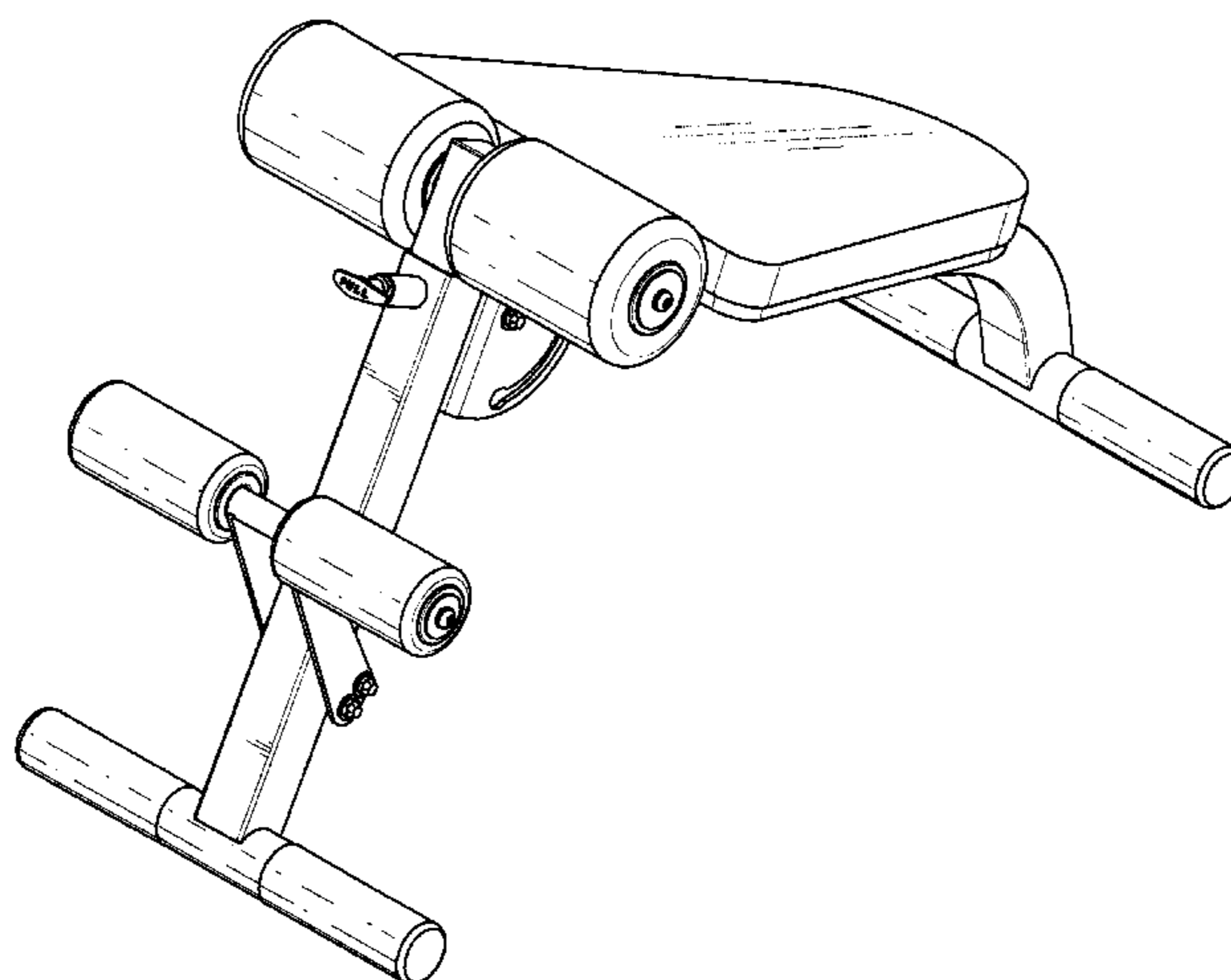
(57) **CLAIM**

The ornamental design for a folding exercise bench, as
shown.

DESCRIPTION

FIG. 1 is a front perspective view of a folding exercise bench
in a first exercise position, showing my new design;
FIG. 2 is a front elevational view thereof;
FIG. 3 is a right side elevational view thereof;
FIG. 4 is a left side elevational view thereof;
FIG. 5 is a top plan view thereof;
FIG. 6 is a rear elevational view thereof;
FIG. 7 is a bottom plan view thereof;
FIG. 8 is a front perspective view of the folding exercise
bench of FIG. 1, showing the bench in a second exercise
position;
FIG. 9 is a right side elevational view of the bench in the
position of FIG. 8, the left side of the upper extended post
being identical to the right side;
FIG. 10 is a rear perspective view of the bench in the
position of FIG. 8;
FIG. 11 is a front perspective view of the folding exercise
bench in a lowered, folded position; and,
FIG. 12 is a right side elevational view of the bench in the
position of FIG. 11.

1 Claim, 12 Drawing Sheets



OTHER PUBLICATIONS

U.S. Appl. No. 29/243,976, filed Dec. 2, 2005, Webber.
U.S. Appl. No. 29/243,975, filed Dec. 2, 2005, Webber.
Sit Up Bench, Speedent Corp. Brochure, 1997.
Kamparts EZ-Life Brochure, Date Unknown.
Zheigang Machinery & Equipment Corporation Brochure,
Abdominal Benches, ZE32020-12; -13; -14 and
ZE32020-16, Date Unknown.
Hoist Fitness Brochure, CF2162 Super Adjustable Decline
Bench, 2000.

Keys Fitness Brochure, Various Abdominal and Low Back
Exercise Benches, 2003.

Nautilus Fitness Brochure, Various Abdominal and Low
Back Benches, 2001.

KW 105m Abdominal Bench, Galaxy Star Brochure, Date
Unknown.

* cited by examiner

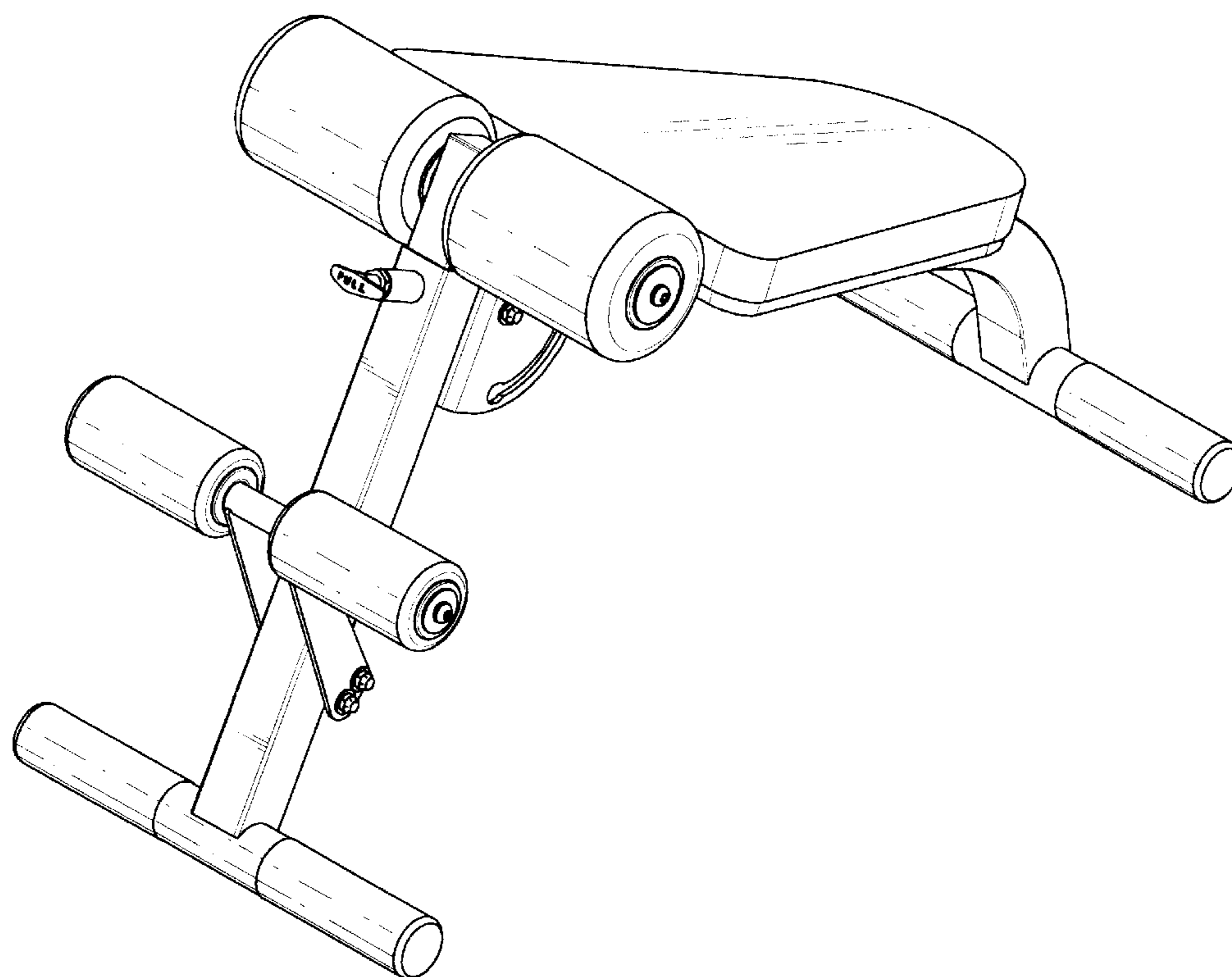


FIG. 1

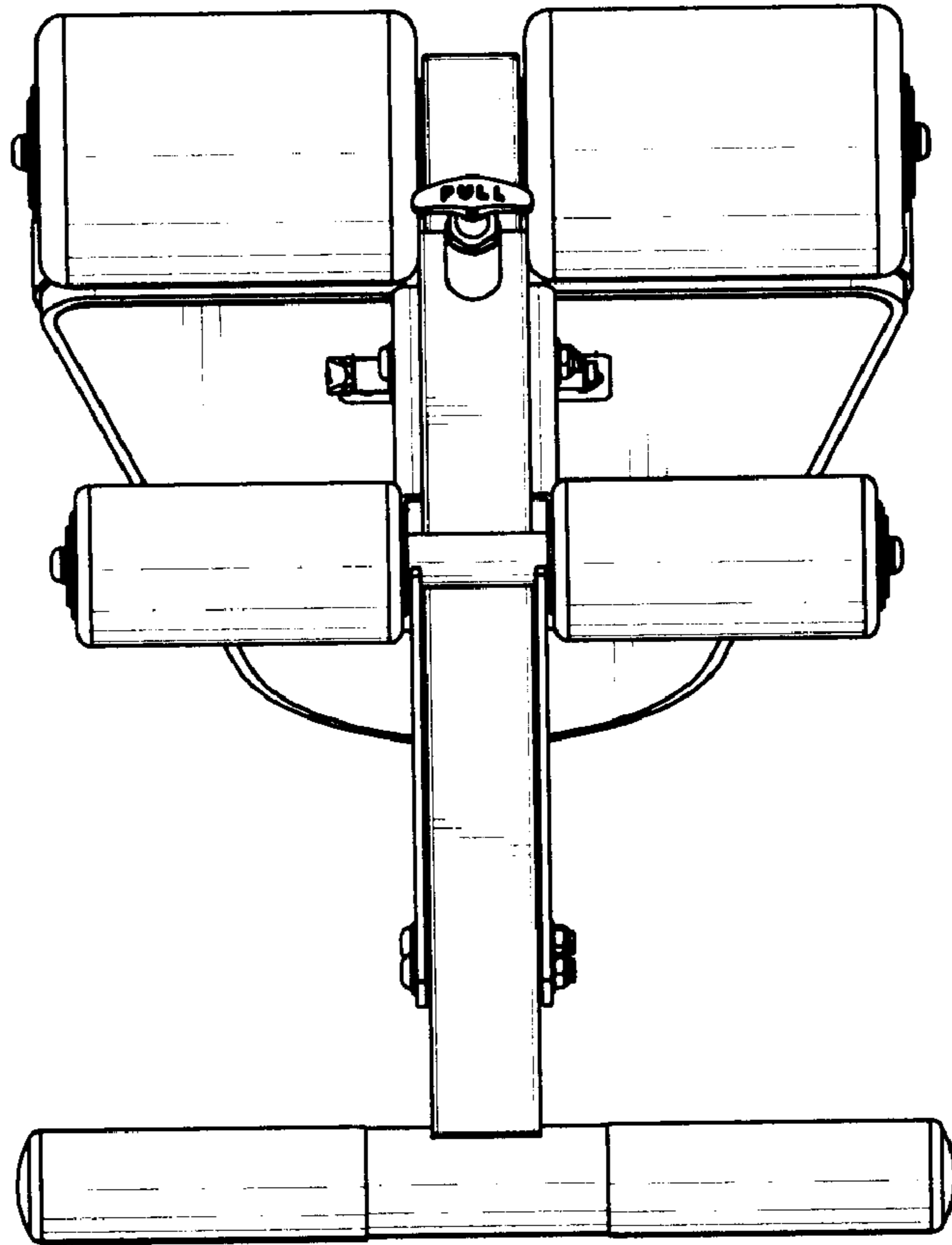


FIG. 2

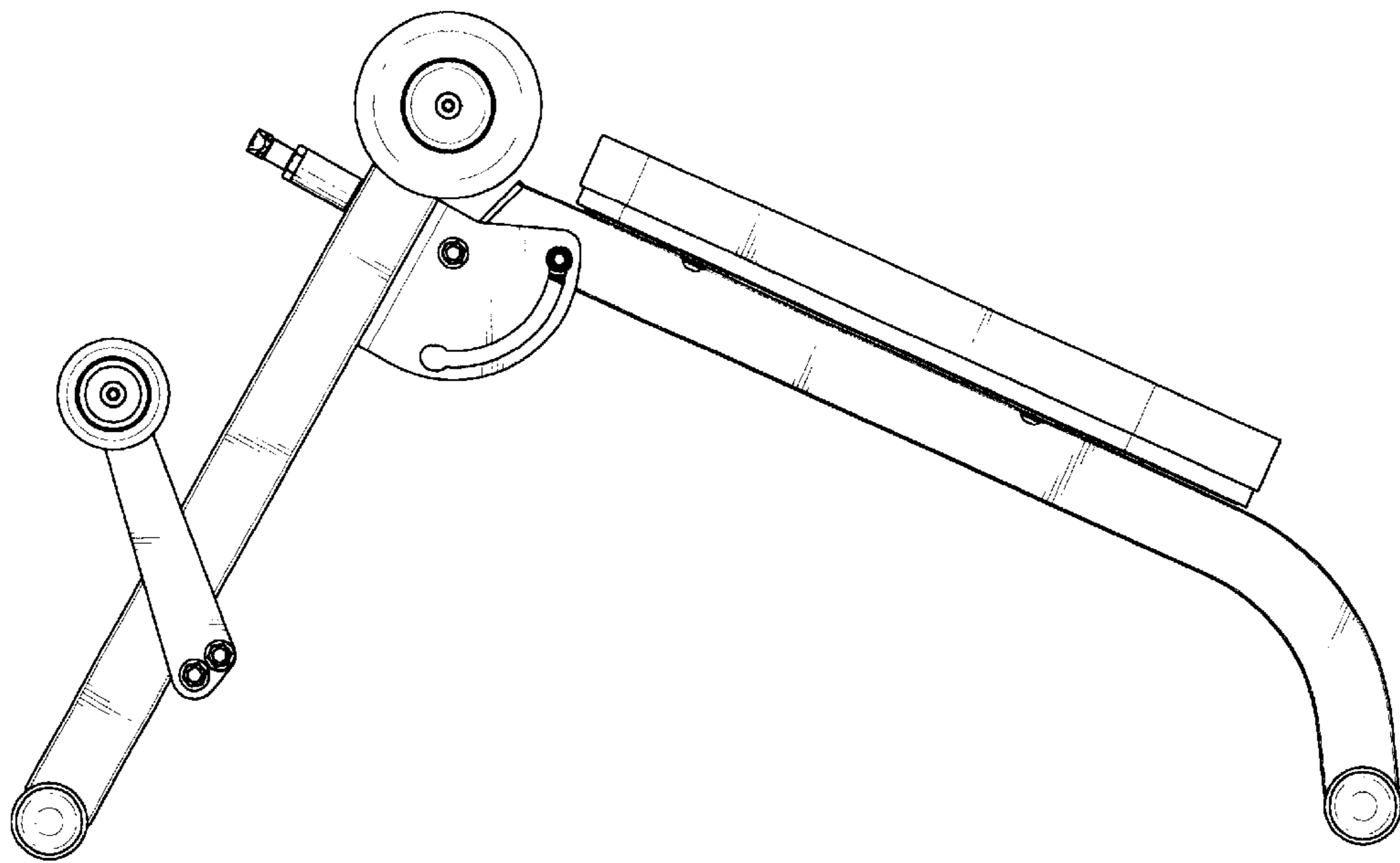


FIG. 3

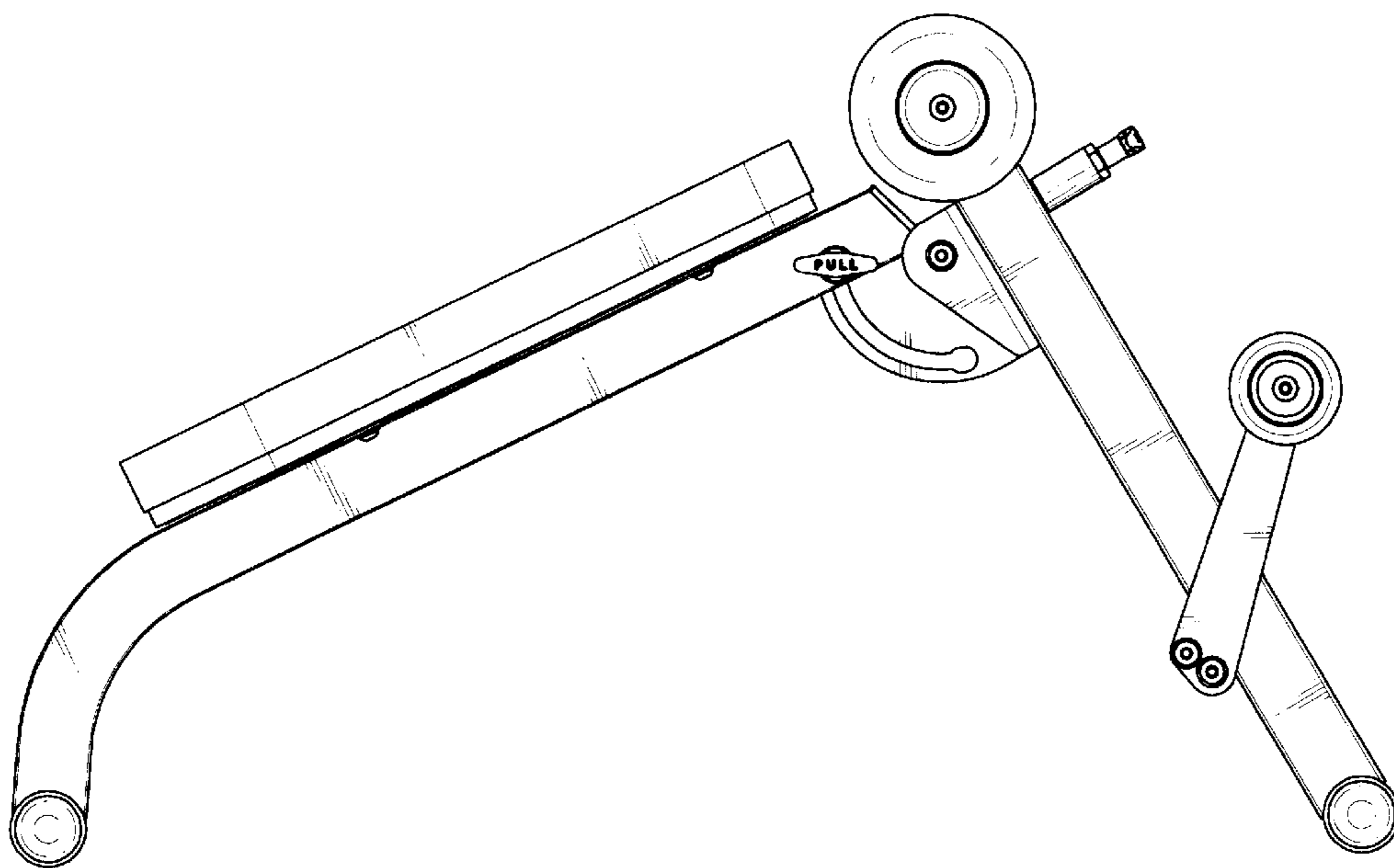


FIG. 4

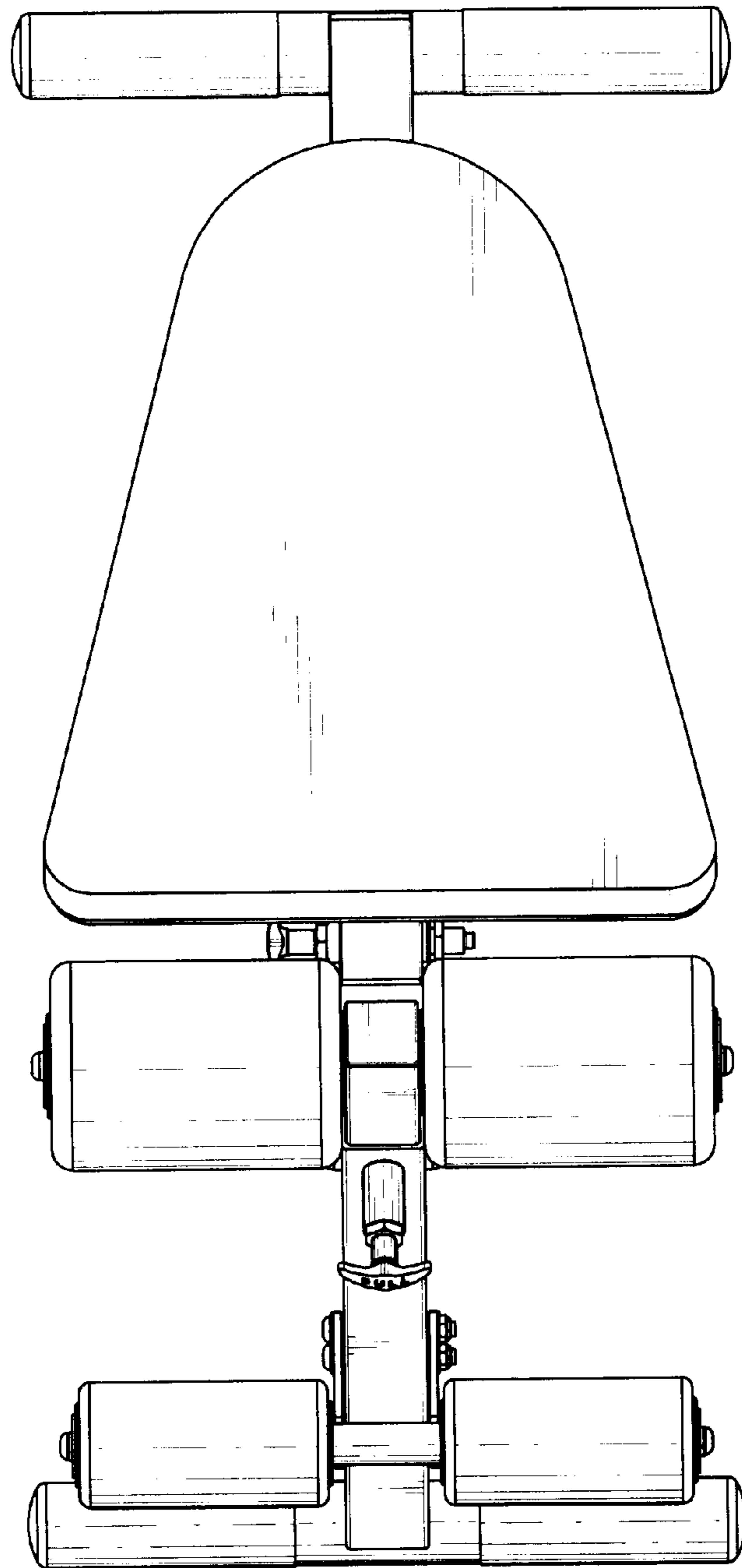


FIG. 5

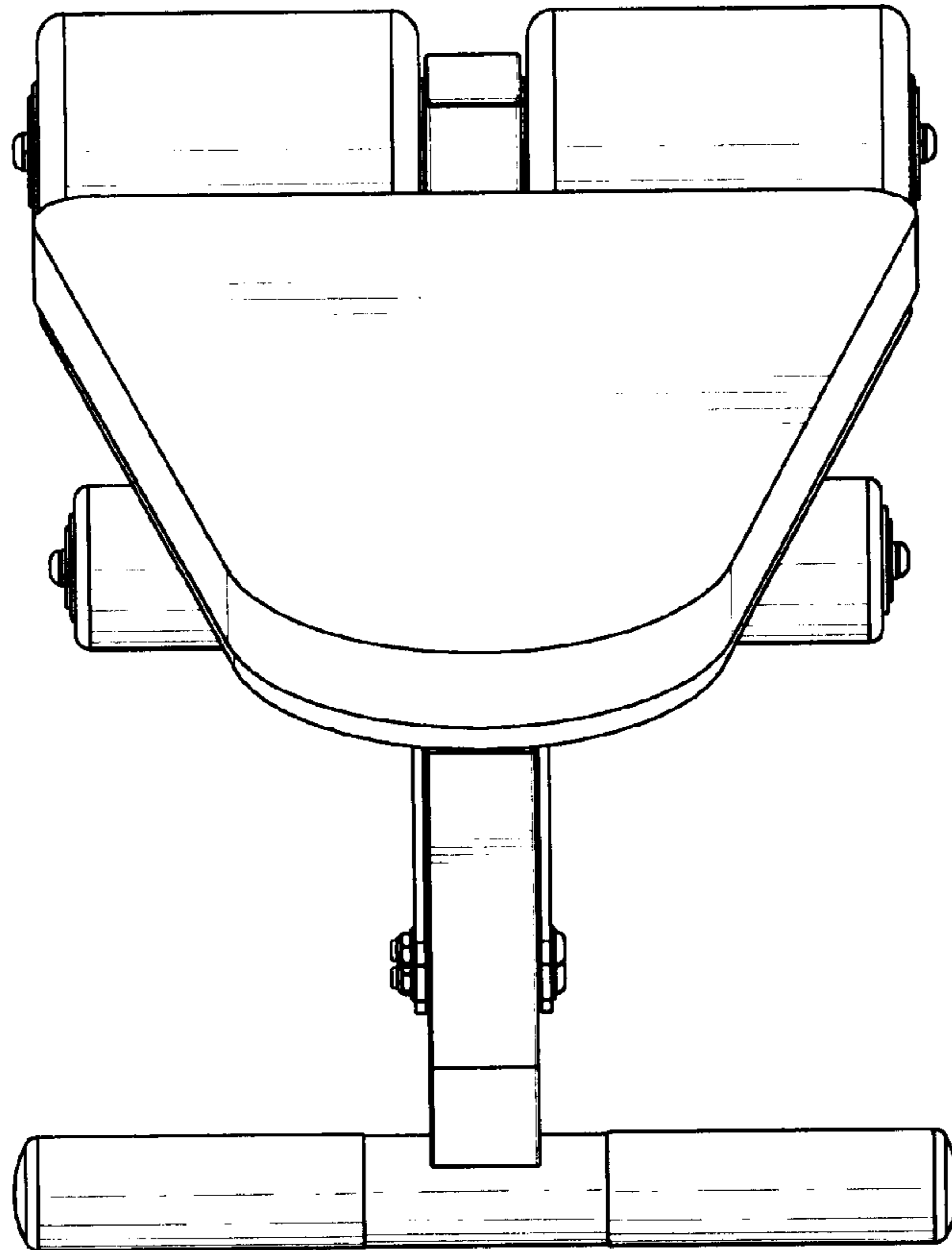


FIG. 6

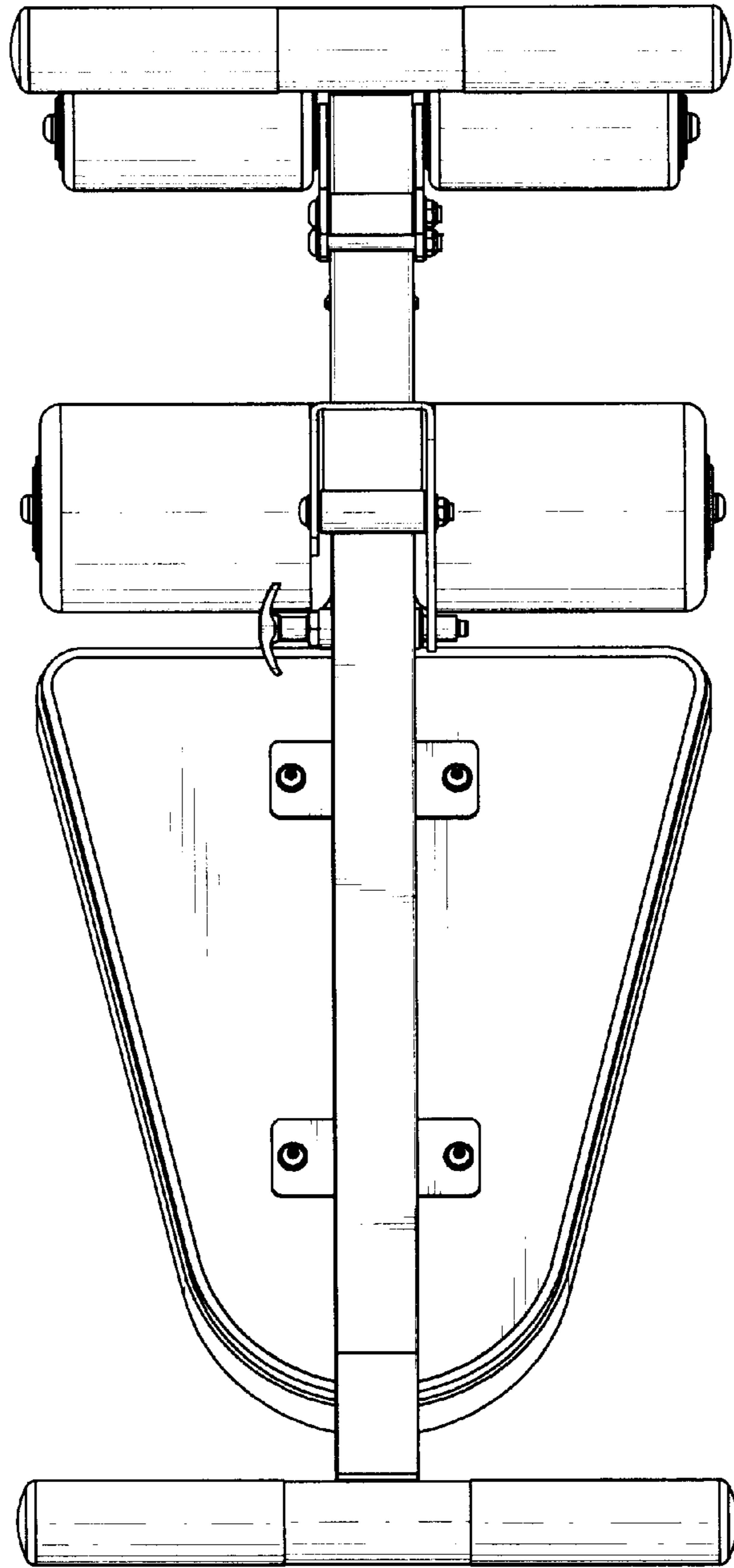


FIG. 7

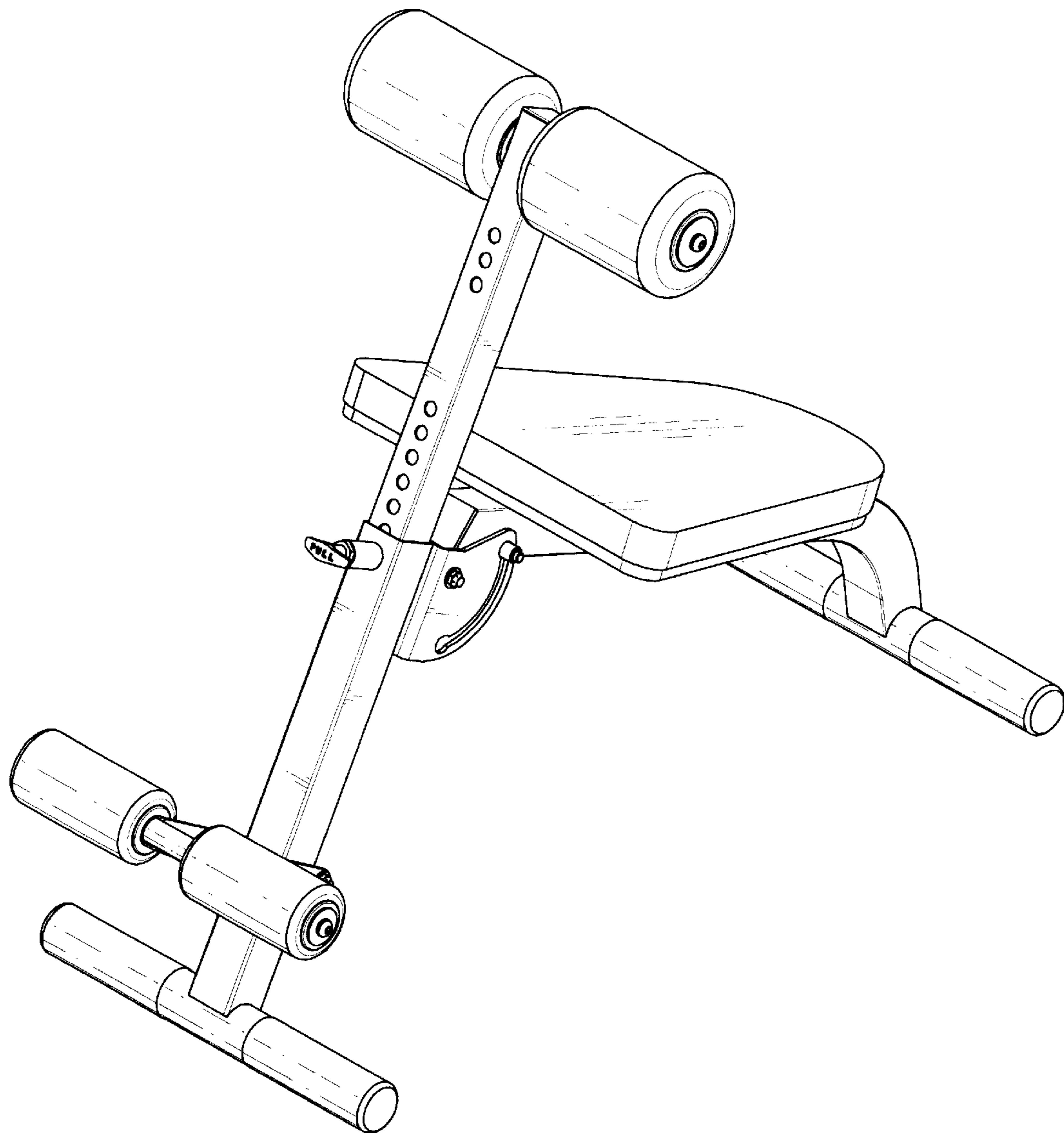


FIG. 8

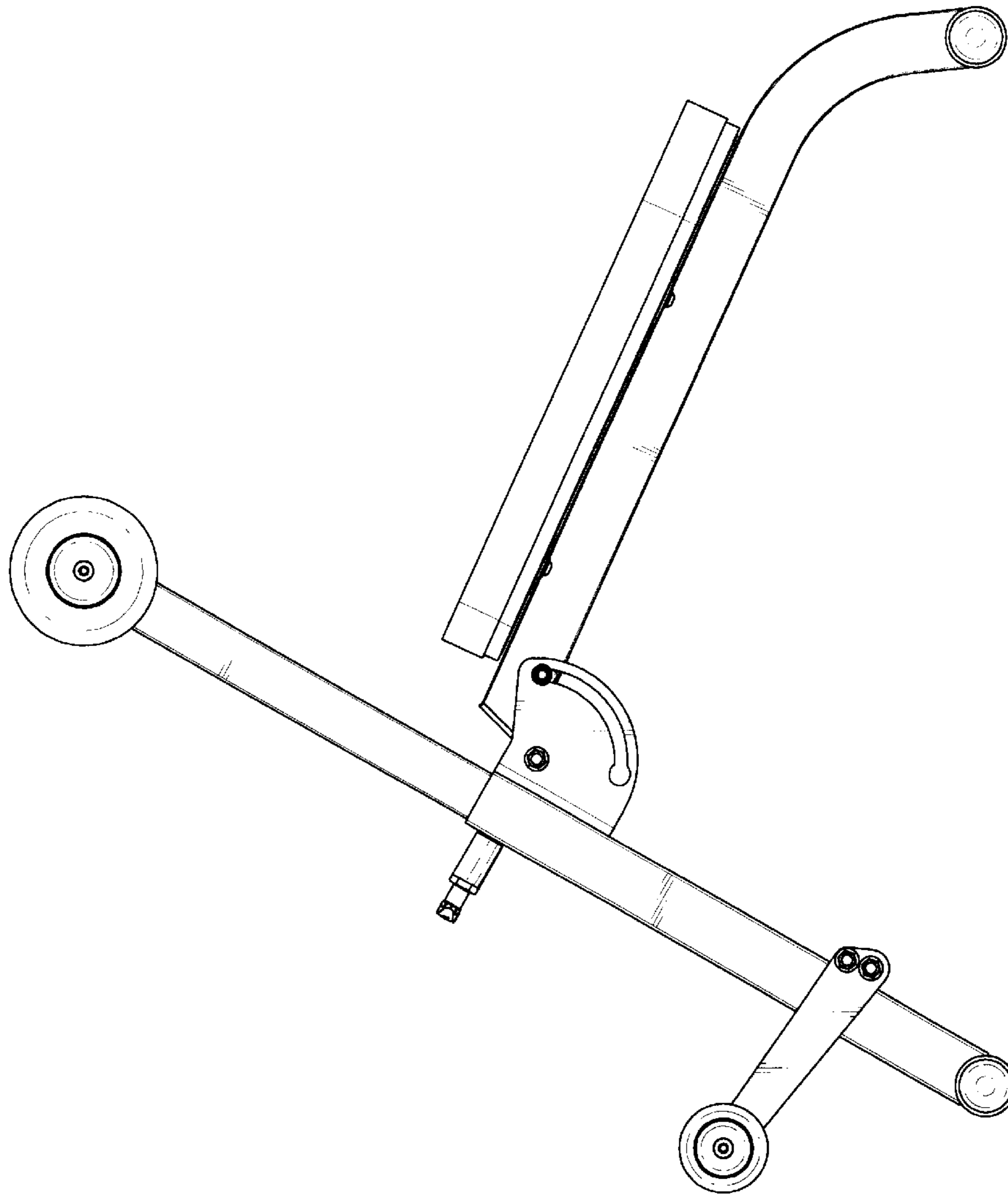


FIG. 9

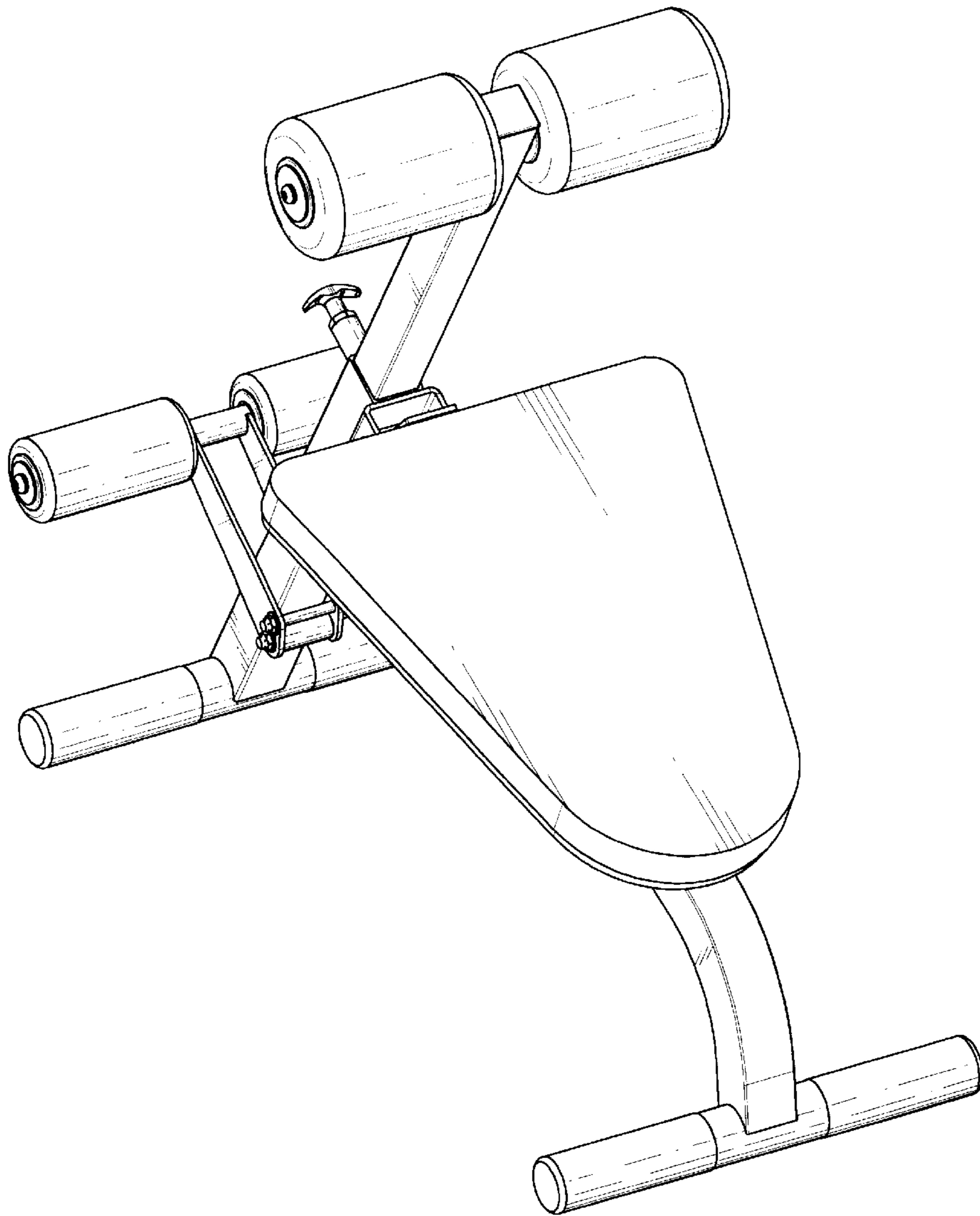


FIG. 10

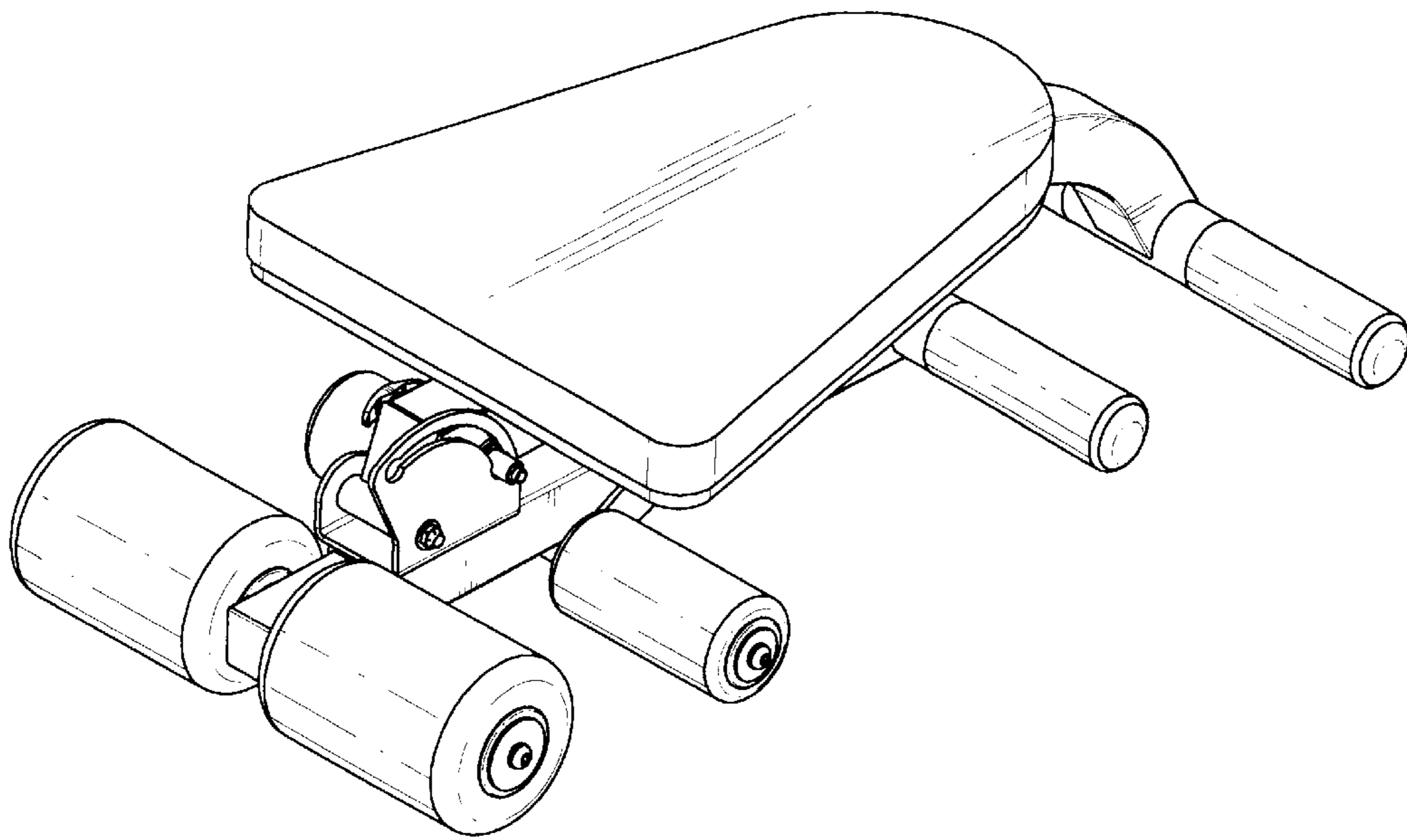


FIG. 11

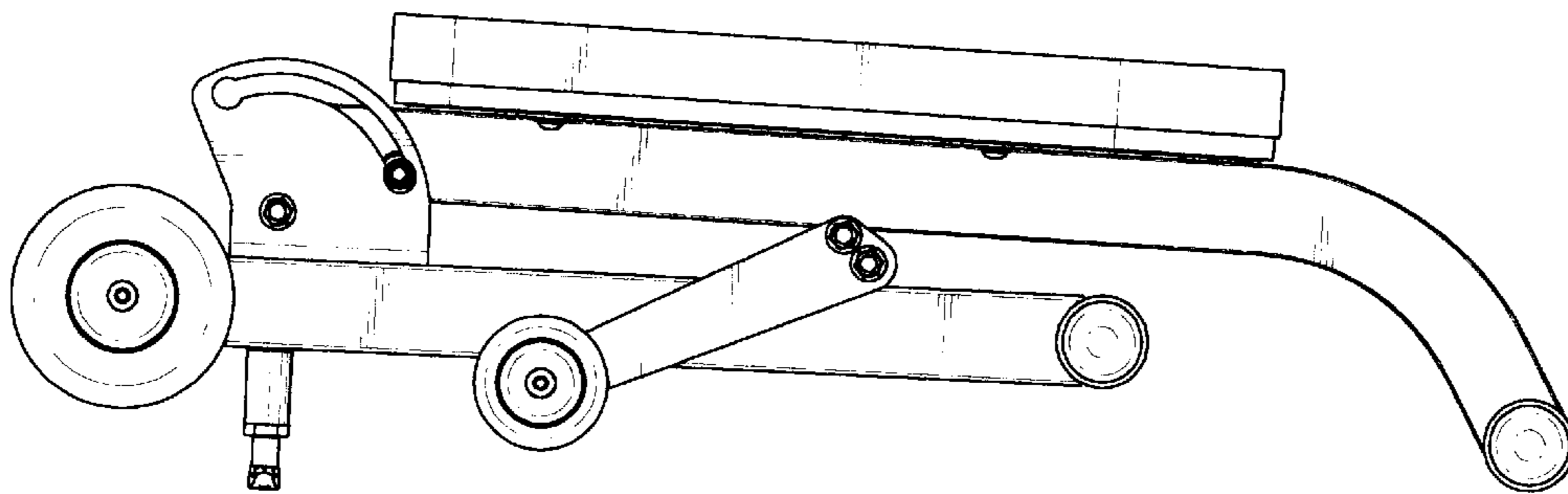


FIG. 12