

US00D541356S

(12) **United States Design Patent**
Ayton

(10) **Patent No.:** **US D541,356 S**

(45) **Date of Patent:** **** Apr. 24, 2007**

(54) **FRAME FOR EXERCISE EQUIPMENT**

(76) **Inventor:** **W. Brooke Ayton**, 10245 W. Airport,
Stafford, TX (US) 77477

(**) **Term:** **14 Years**

(21) **Appl. No.:** **29/241,004**

(22) **Filed:** **Oct. 21, 2005**

(51) **LOC (8) Cl.** **21-02**

(52) **U.S. Cl.** **D21/686; D21/694**

(58) **Field of Classification Search** D21/662,
D21/674, 676, 686, 691, 694; 482/97, 99-100,
482/112, 129-130, 133, 135, 137-138, 142
See application file for complete search history.

(56) **References Cited**

U.S. PATENT DOCUMENTS

- 5,366,432 A * 11/1994 Habing et al. 482/138
- 5,409,440 A * 4/1995 Yang 482/138
- 5,554,085 A * 9/1996 Dalebout 482/137

- 5,951,448 A * 9/1999 Bolland 482/112
- D431,615 S * 10/2000 Webber et al. D21/675
- D513,291 S * 12/2005 Panatta D21/676

* cited by examiner

Primary Examiner—Philip S. Hyder

Assistant Examiner—RoseLynne (Ulm) Cody

(57) **CLAIM**

The ornamental design for a frame for exercise equipment,
as shown and described.

DESCRIPTION

FIG. 1 is a perspective view of my novel design;
FIG. 2 is a right side view of my novel design;
FIG. 3 is a left side view of my novel design;
FIG. 4 is a front view of my novel design;
FIG. 5 is a rear view of my novel design;
FIG. 6 is a top view of my novel design; and,
FIG. 7 is a bottom view of my novel design.

1 Claim, 4 Drawing Sheets

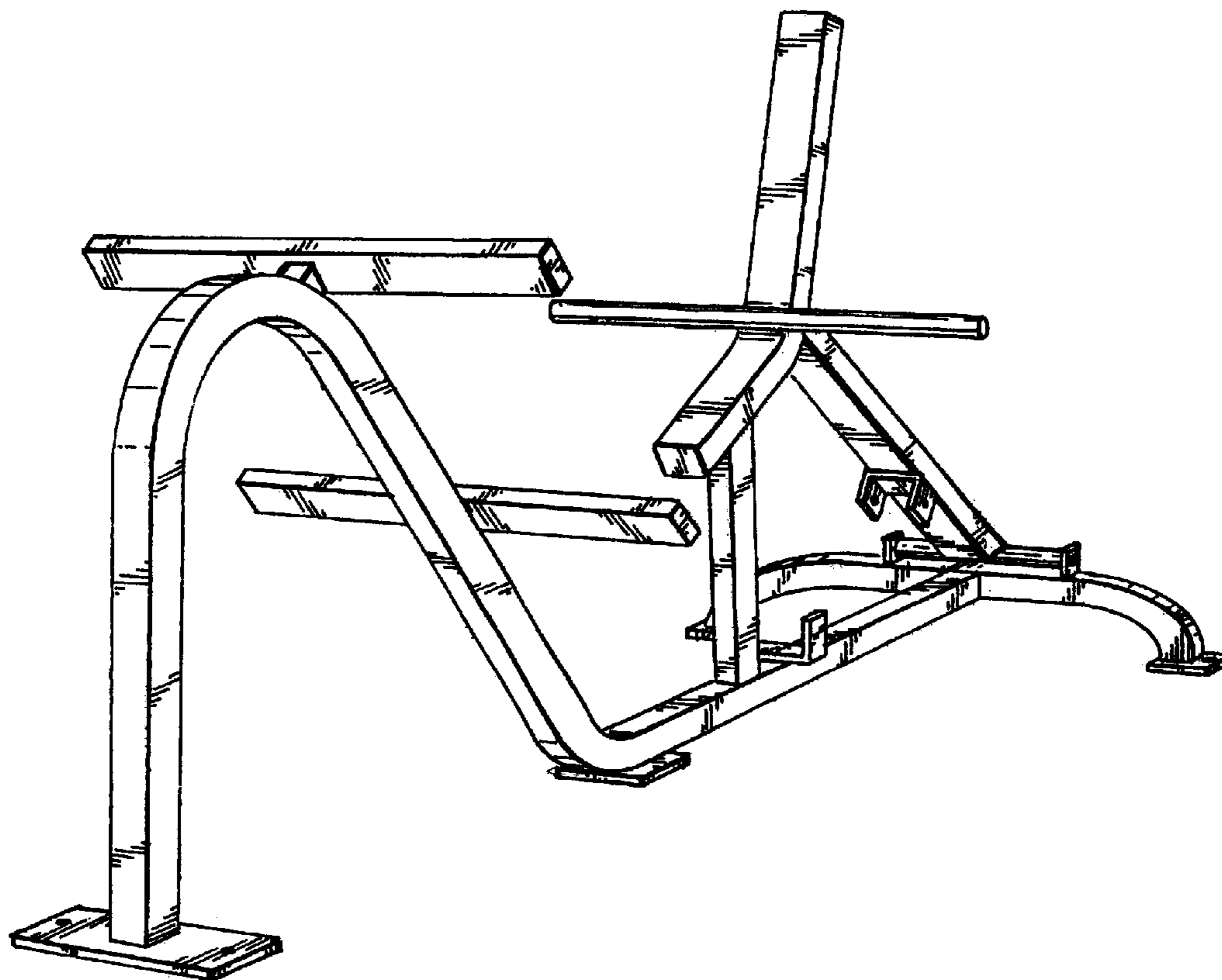


FIG. 1

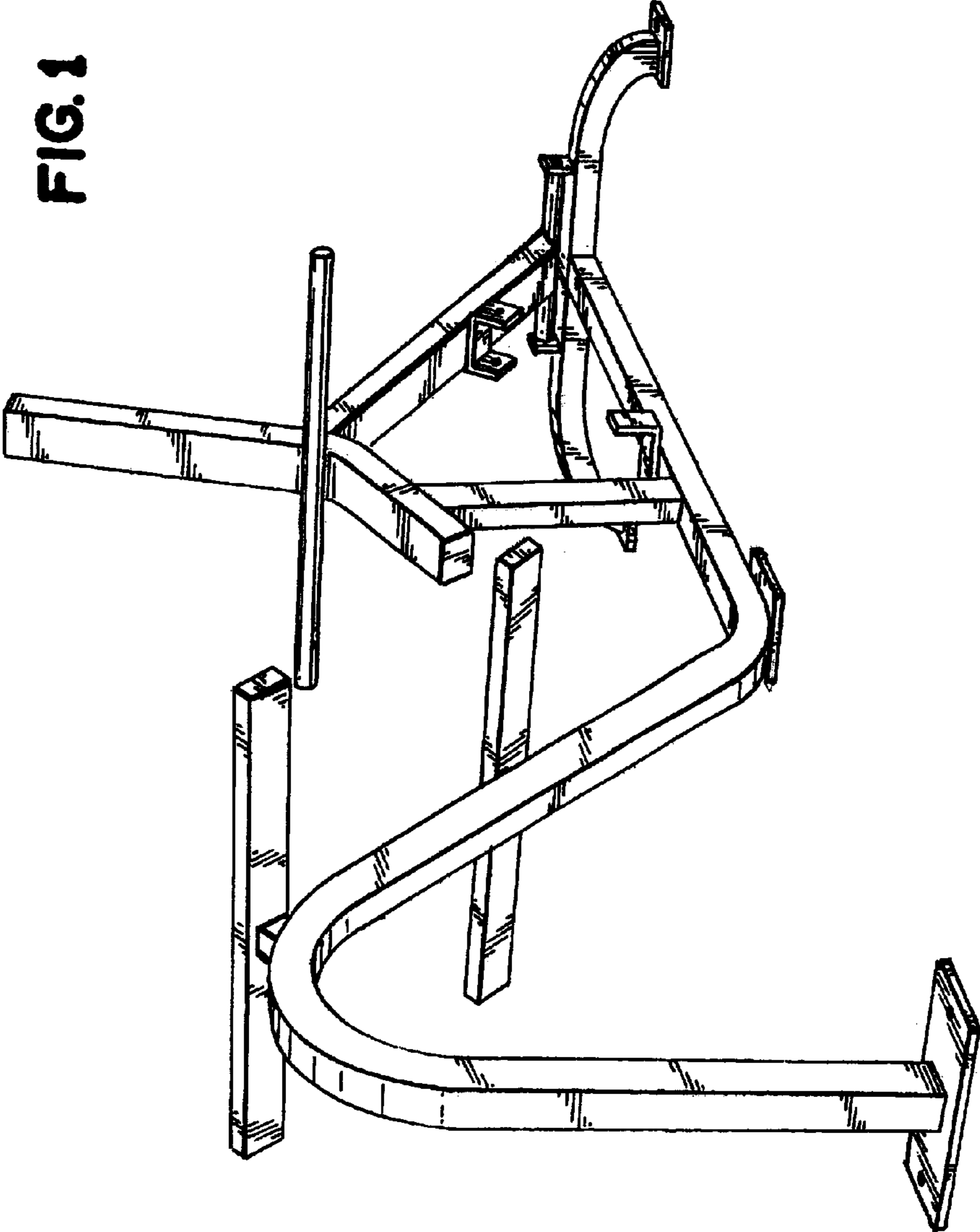


FIG. 2

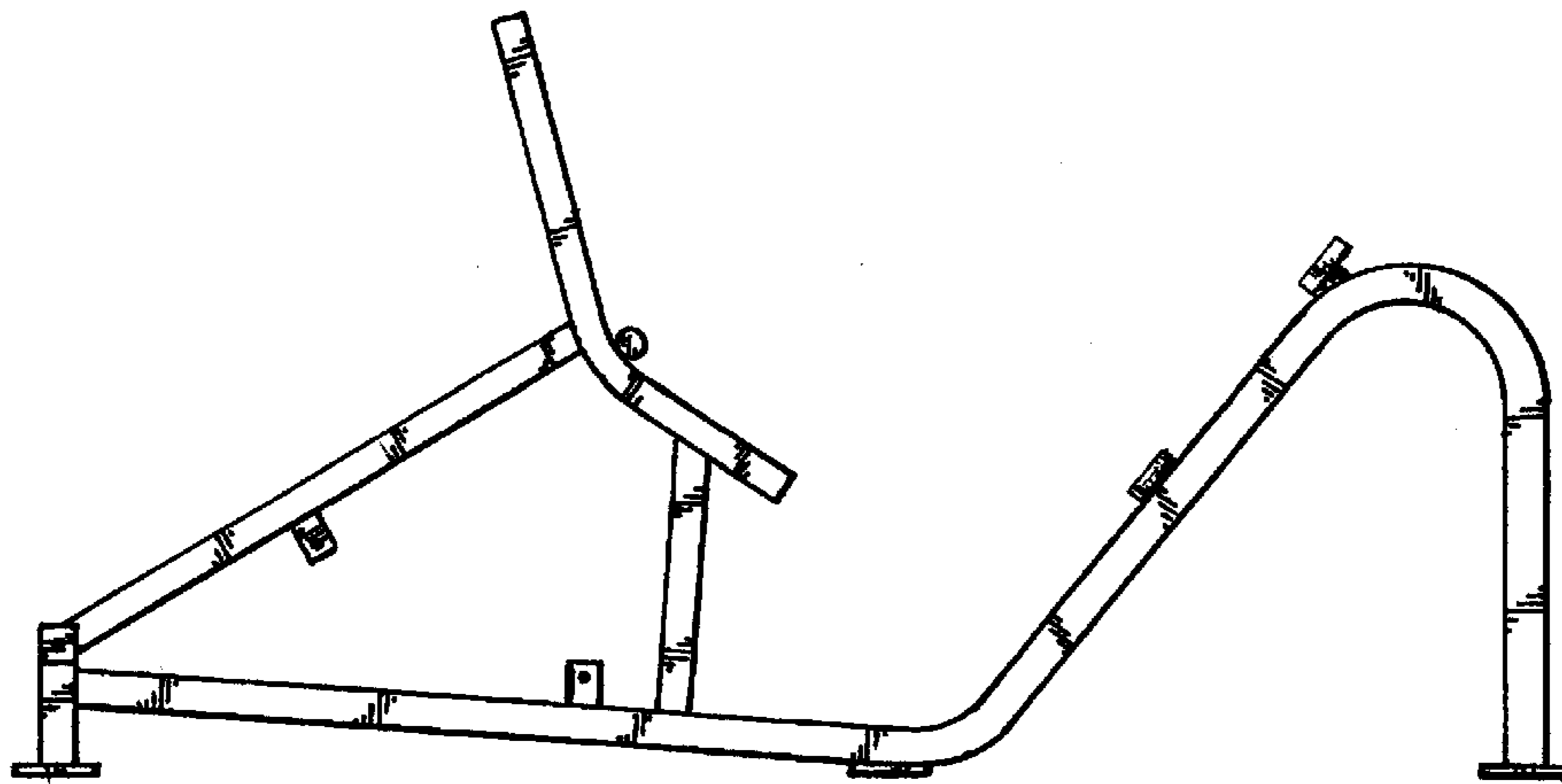


FIG. 3

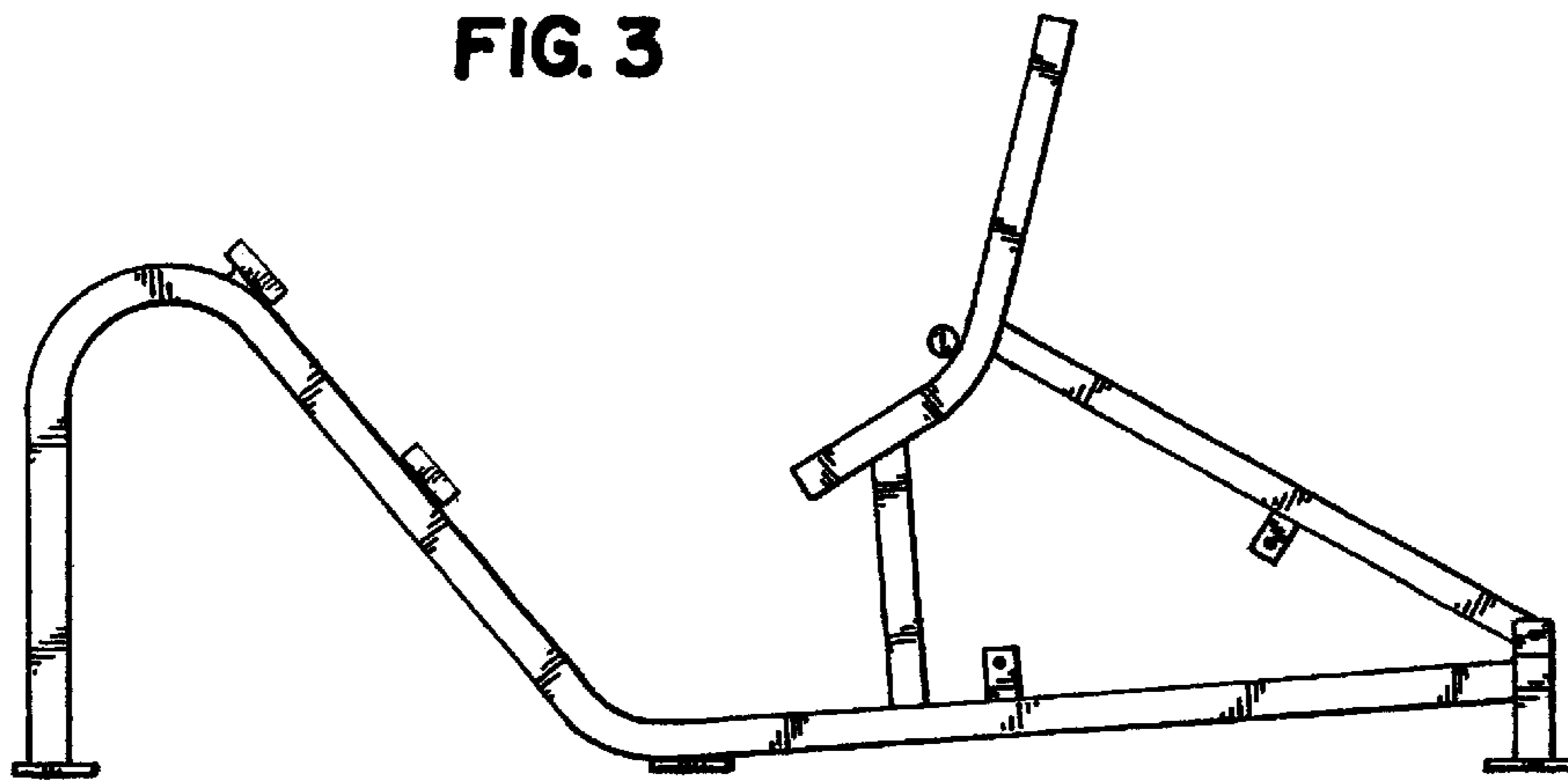


FIG. 4

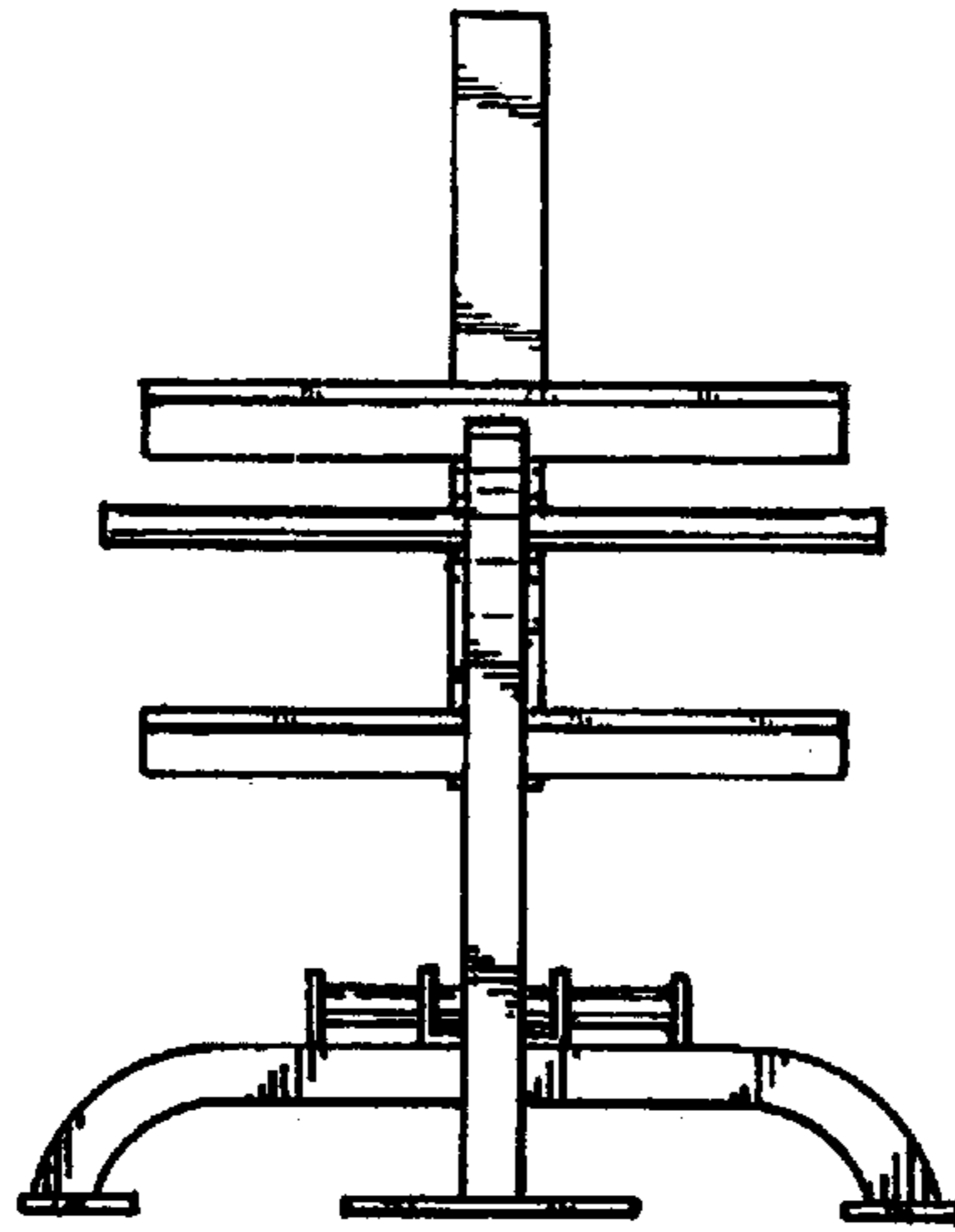


FIG. 5

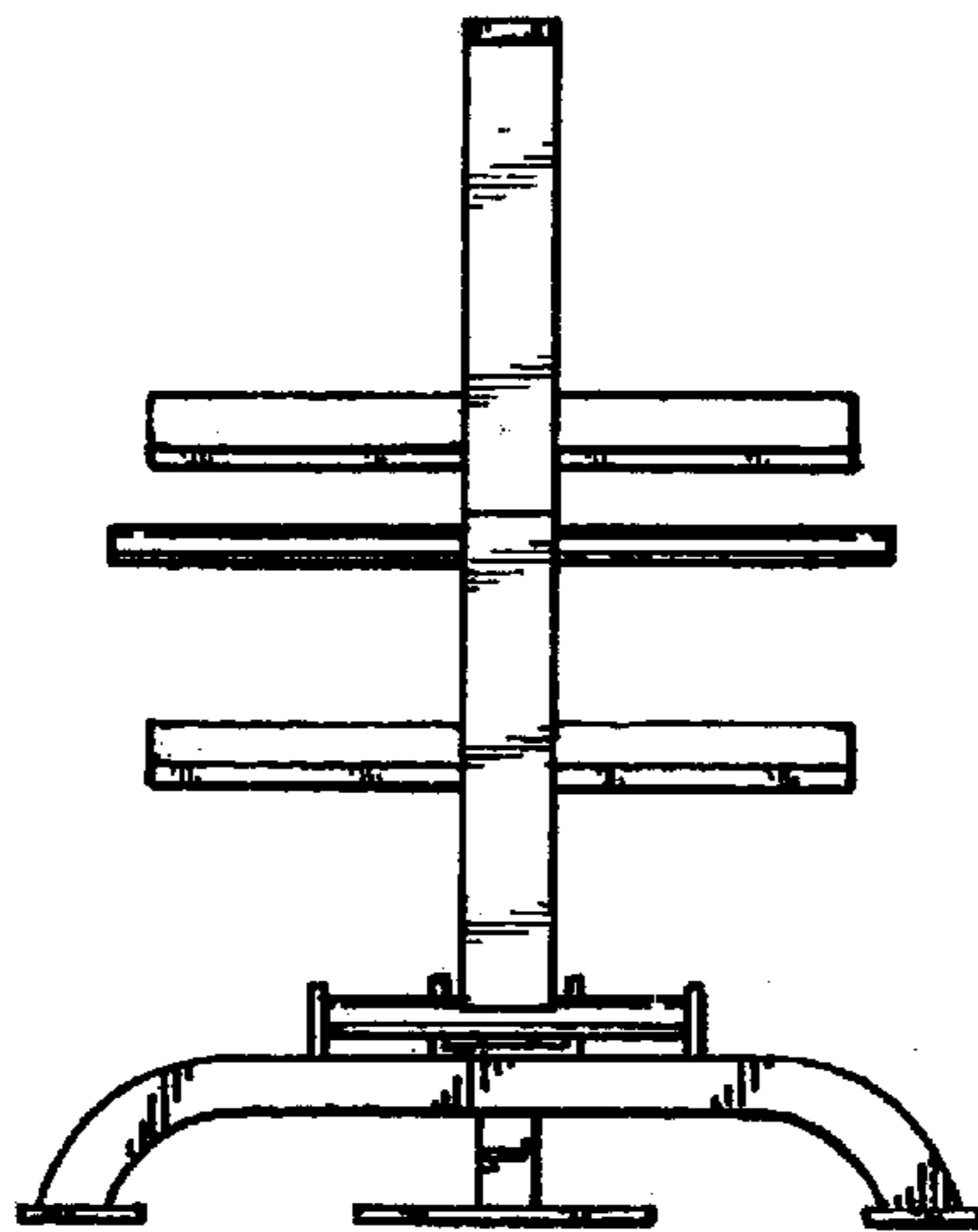


FIG. 6

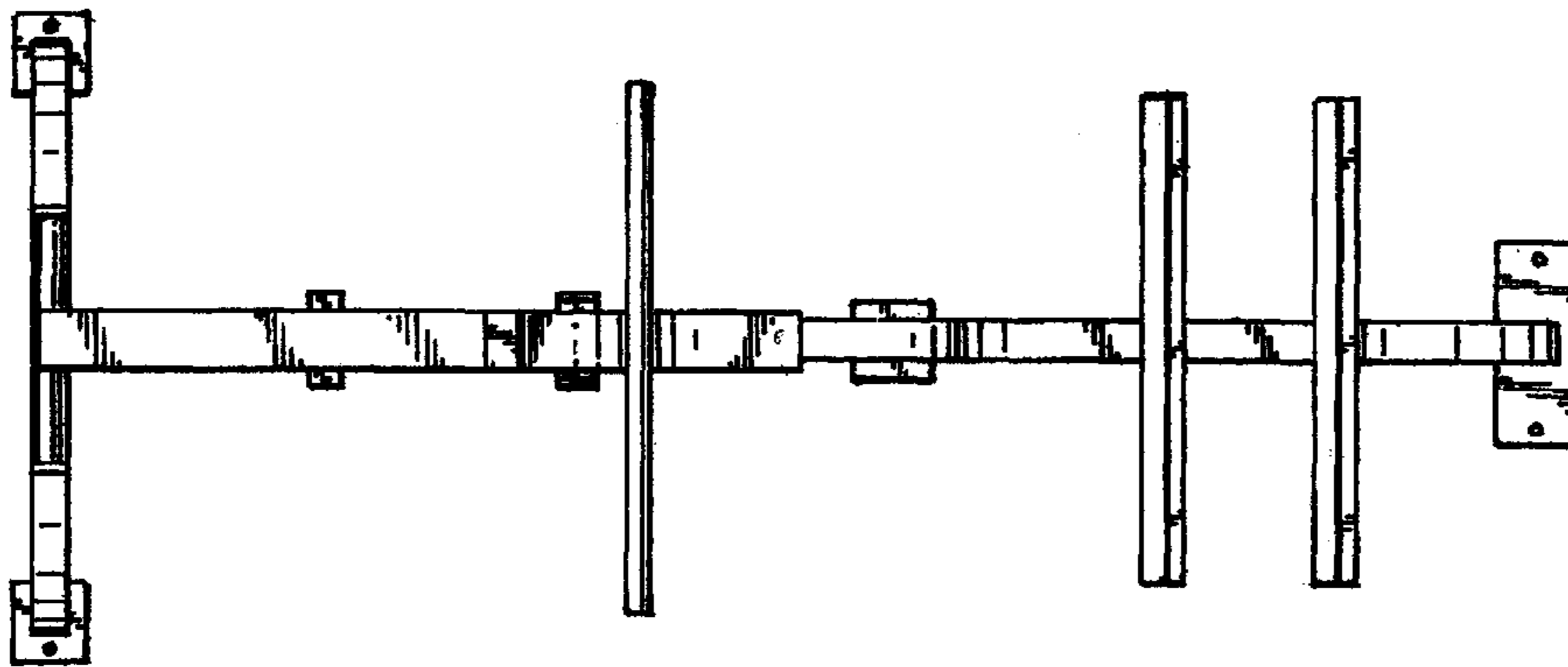


FIG. 7

