

US00D541348S

(12) **United States Design Patent**  
**Mandel**

(10) **Patent No.:** **US D541,348 S**

(45) **Date of Patent:** **\*\* Apr. 24, 2007**

(54) **SPHERICAL TAPE DISPENSER**

(75) Inventor: **Logan Flash Mandel**, Los Angeles, CA (US)

(73) Assignee: **GMPC, LLC**, Santa Monica, CA (US)

(\*\*) Term: **14 Years**

(21) Appl. No.: **29/244,960**

(22) Filed: **Dec. 15, 2005**

(51) **LOC (8) Cl.** ..... **19-02**

(52) **U.S. Cl.** ..... **D19/69**

(58) **Field of Classification Search** ..... D19/70,  
D19/69, 68; 242/588.6, 588.3, 588.2; 225/77,  
225/6, 56, 39, 26, 25, 19, 11; 206/411; 156/577,  
156/527, 523

See application file for complete search history.

(56) **References Cited**

U.S. PATENT DOCUMENTS

D144,391 S	*	4/1946	Kruger	.....	D19/69
D186,920 S	*	12/1959	Michael	.....	D19/69
D238,669 S	*	2/1976	MacGregor	.....	D19/73
D246,659 S	*	12/1977	Vailati	.....	D19/69
D274,825 S	*	7/1984	Lissoni	.....	D19/69
D329,463 S	*	9/1992	Halm	.....	D19/69
D332,629 S	*	1/1993	OH	.....	D19/69
D333,156 S	*	2/1993	Peersmann	.....	D19/69
D400,586 S	*	11/1998	Yuen	.....	D19/73
D416,045 S	*	11/1999	Shen	.....	D19/69
D436,131 S	*	1/2001	Lau	.....	D19/69
D467,975 S	*	12/2002	Mandar	.....	D19/69
D480,110 S	*	9/2003	Lin	.....	D19/75

\* cited by examiner

*Primary Examiner*—Cathron C. Brooks

*Assistant Examiner*—Austin Murphy

(74) *Attorney, Agent, or Firm*—Christie, Parker & Hale, LLP.

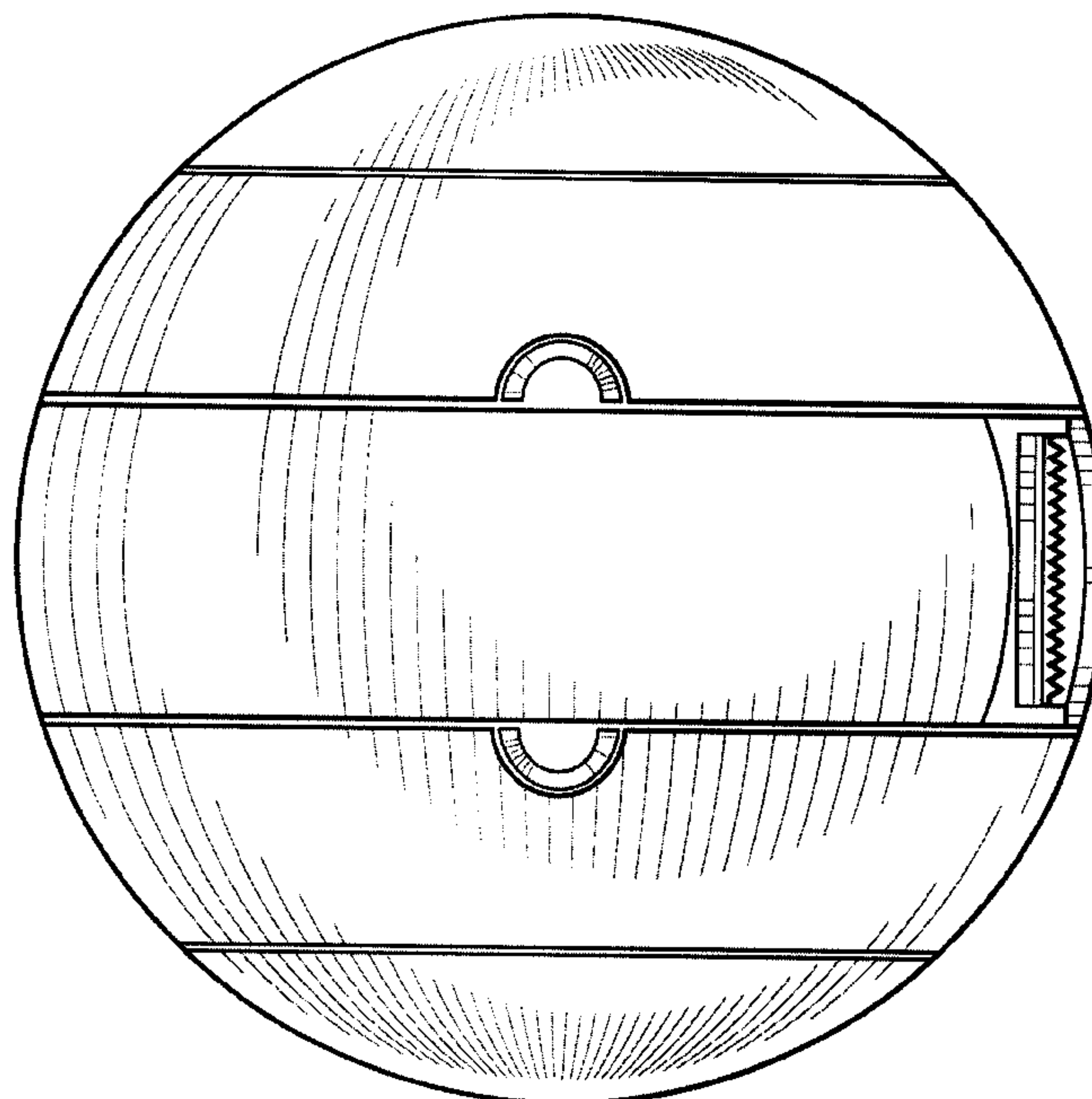
(57) **CLAIM**

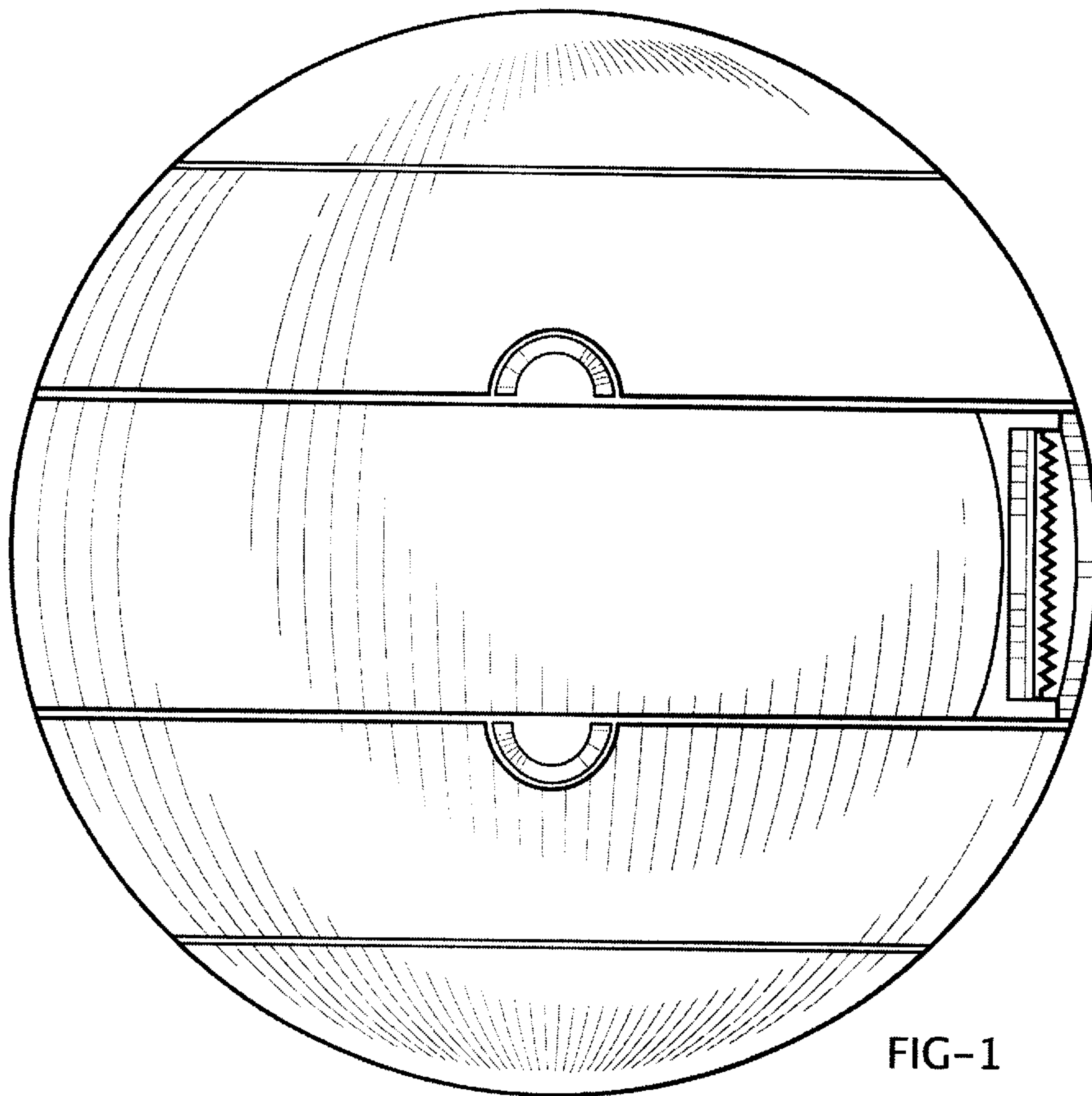
The ornamental design for a spherical tape dispenser, as shown and described.

**DESCRIPTION**

FIG. 1 is a top view of a spherical tape dispenser showing my new design with its roll holding arm in a closed position; FIG. 2 is a bottom view thereof; FIG. 3 is left side view thereof, with the right side view being a mirror image thereof; FIG. 4 is a front view thereof; FIG. 5 is a rear view thereof; FIG. 6 is a front top left isometric view thereof; FIG. 7 is a rear top right isometric view thereof; FIG. 8 is a top view of the spherical tape dispenser of FIG. 1, but showing its roll holding arm in an opened position; FIG. 9 is a bottom view the spherical tape dispenser of FIG. 8; FIG. 10 is a left side view of the spherical tape dispenser of FIG. 8, with the right side view being a mirror image thereof; FIG. 11 is a front view of the spherical tape dispenser of FIG. 8; FIG. 12 is a rear view of the spherical tape dispenser of FIG. 8; FIG. 13 is a rear top right isometric view of the spherical tape dispenser of FIG. 8; and, FIG. 14 is a front top left isometric view of the spherical tape dispenser of FIG. 8.

**1 Claim, 14 Drawing Sheets**





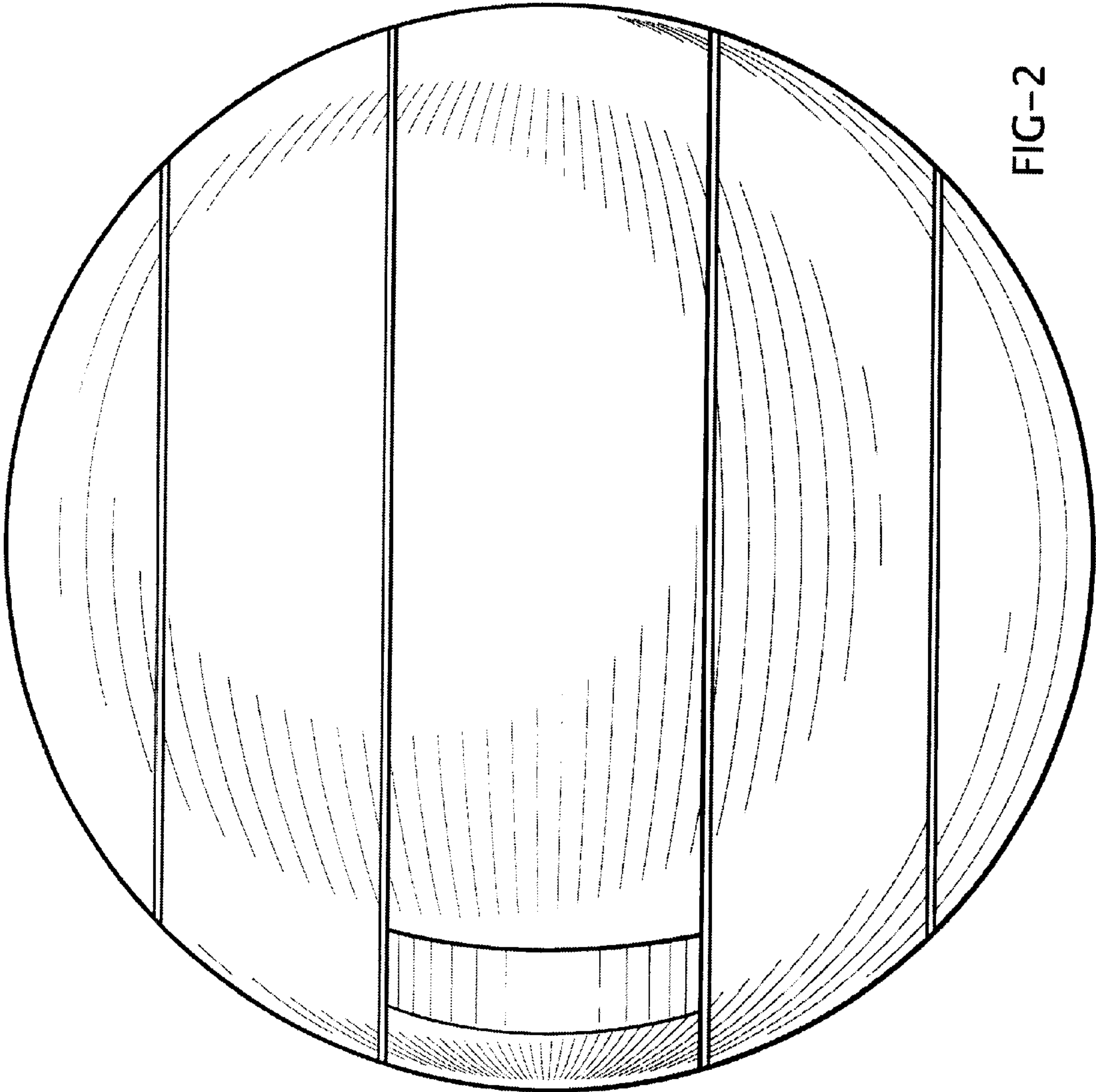
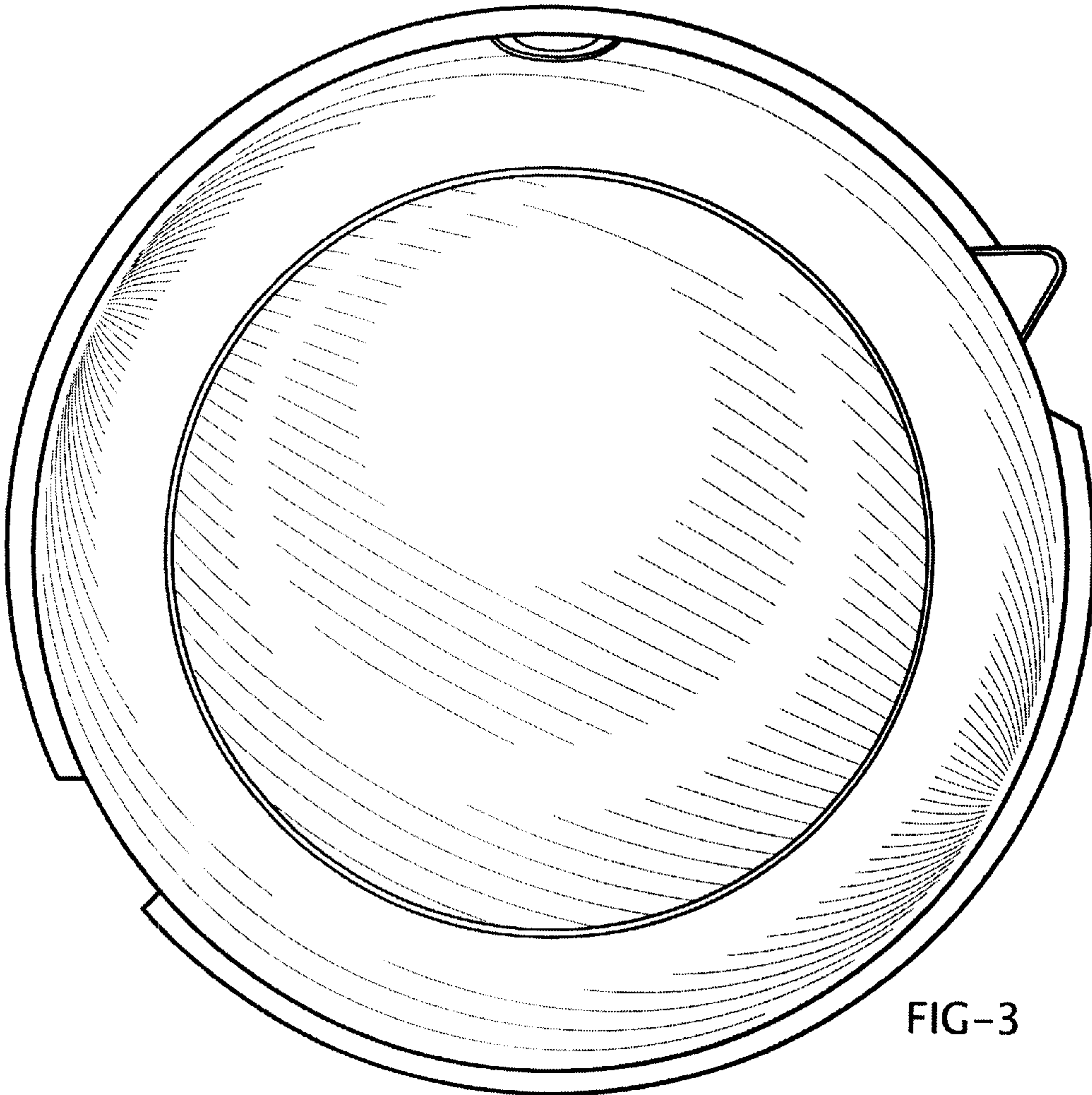
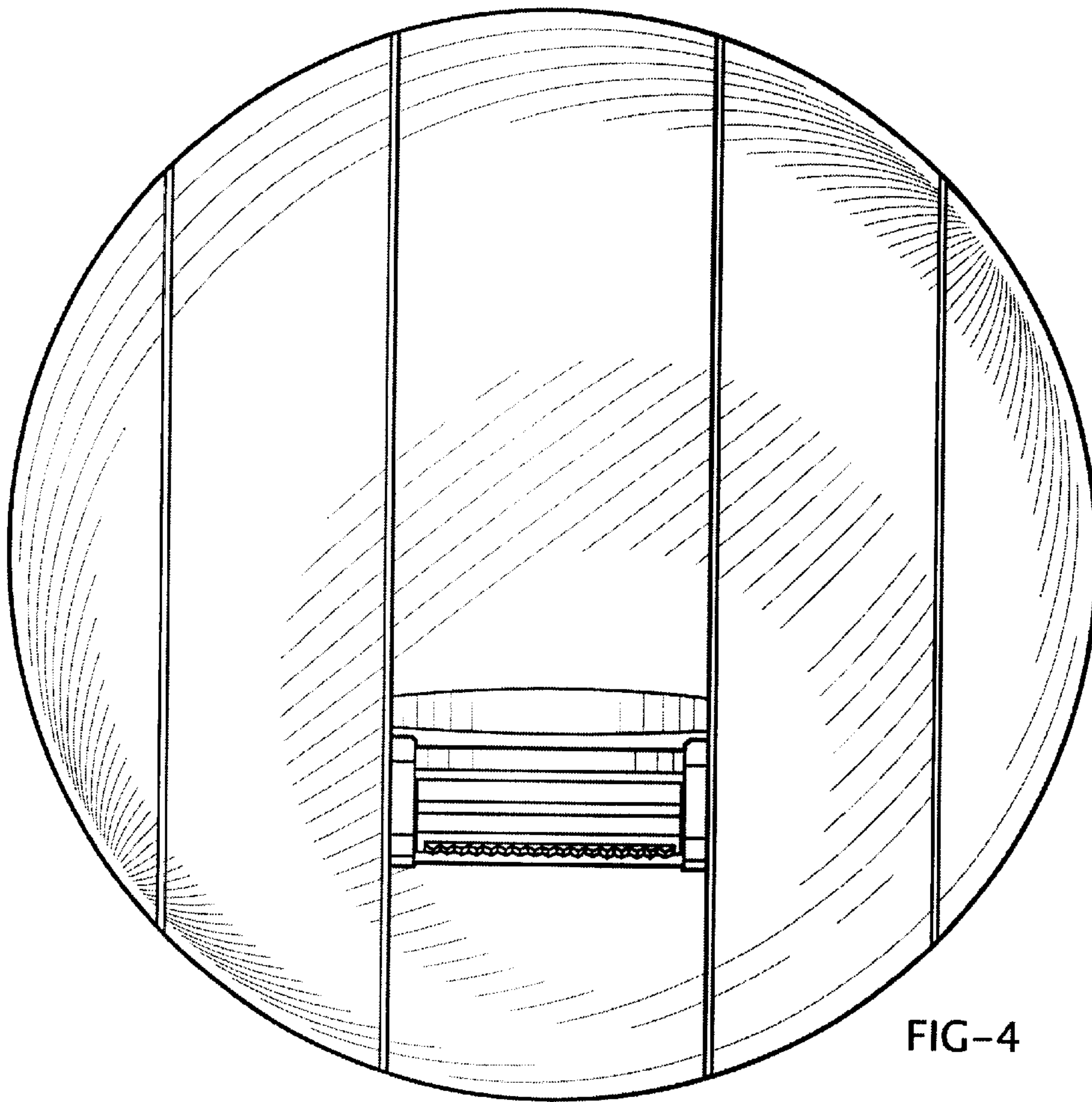


FIG-2







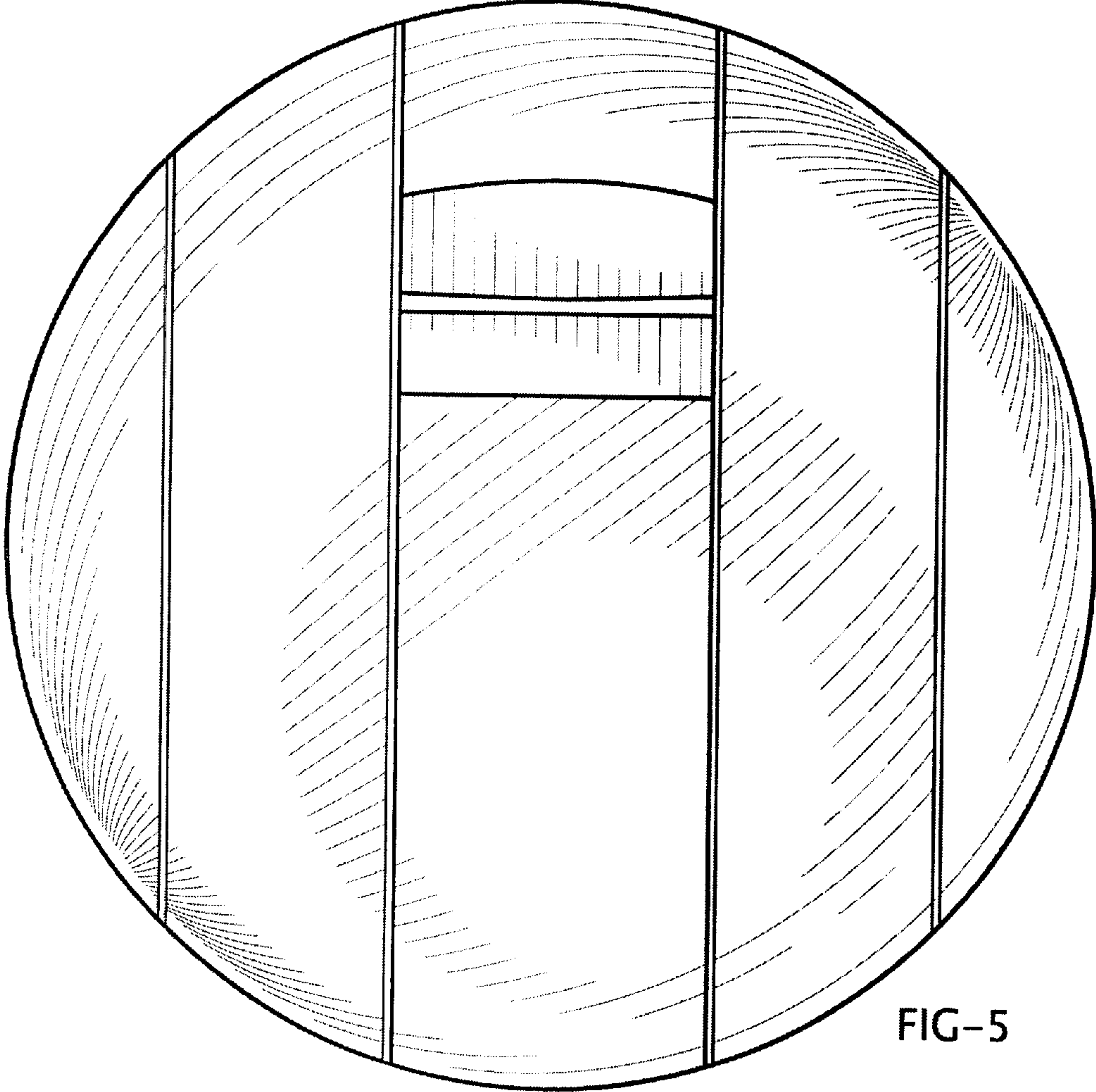


FIG-5

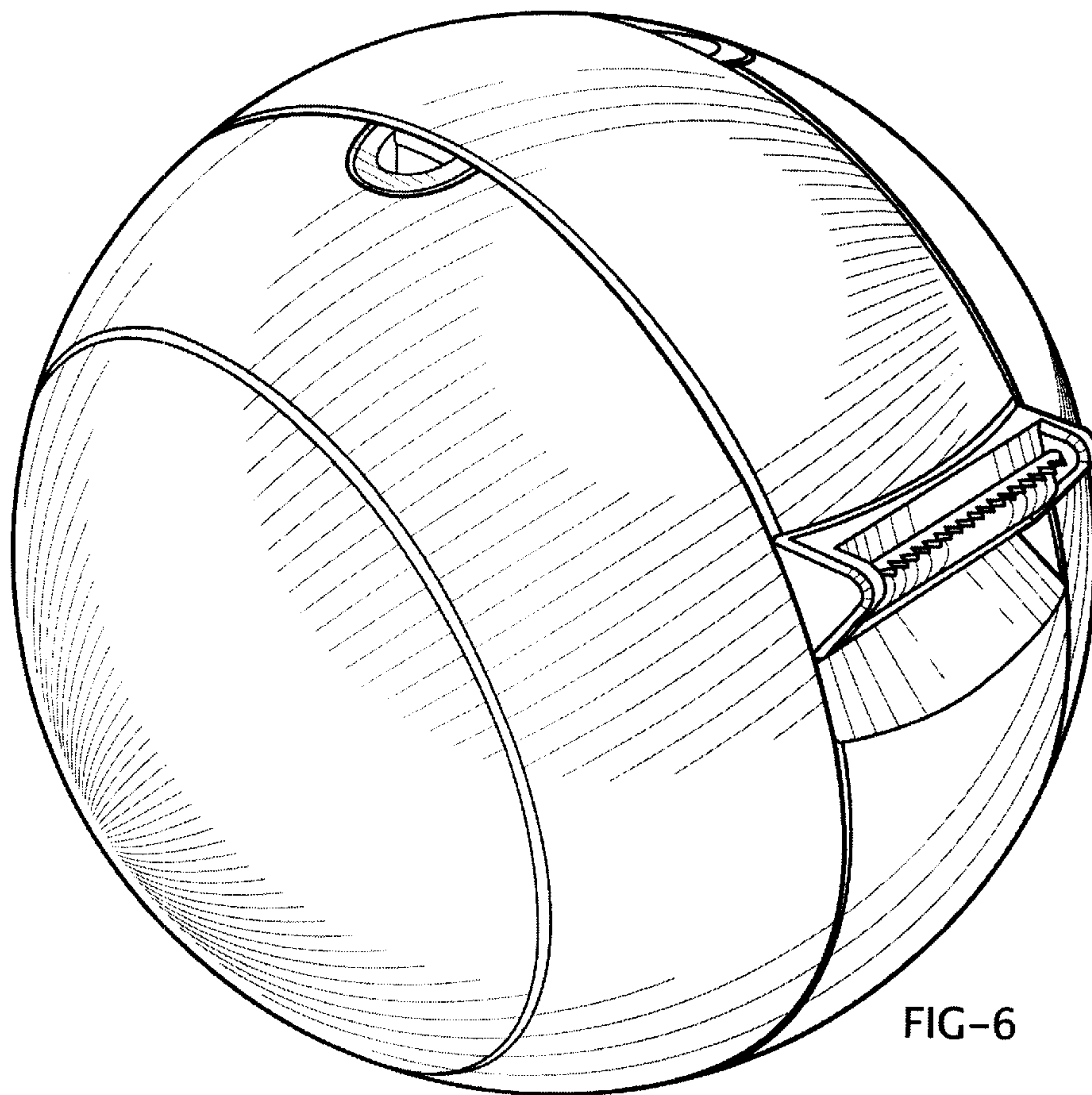


FIG-6



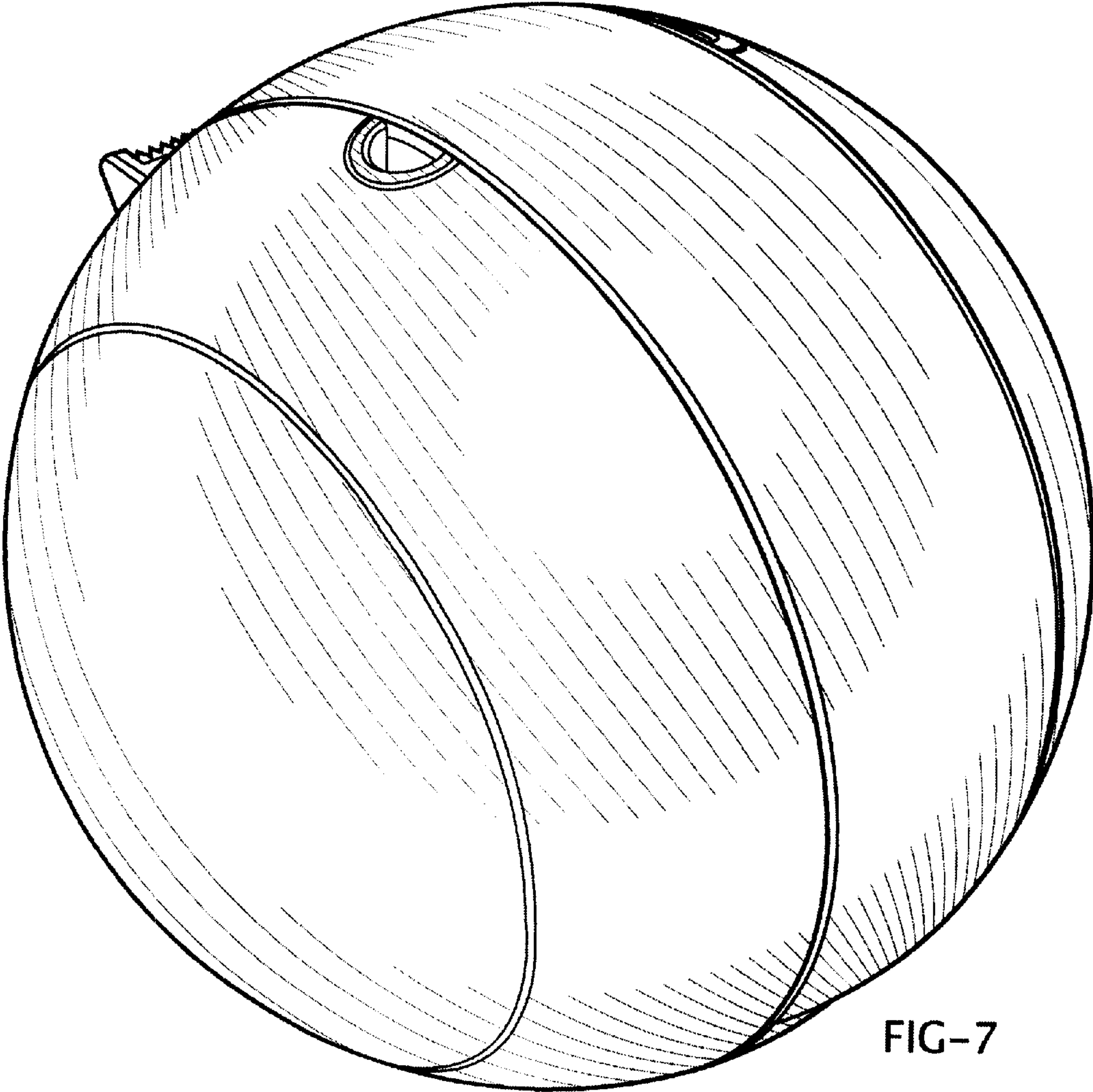


FIG-7



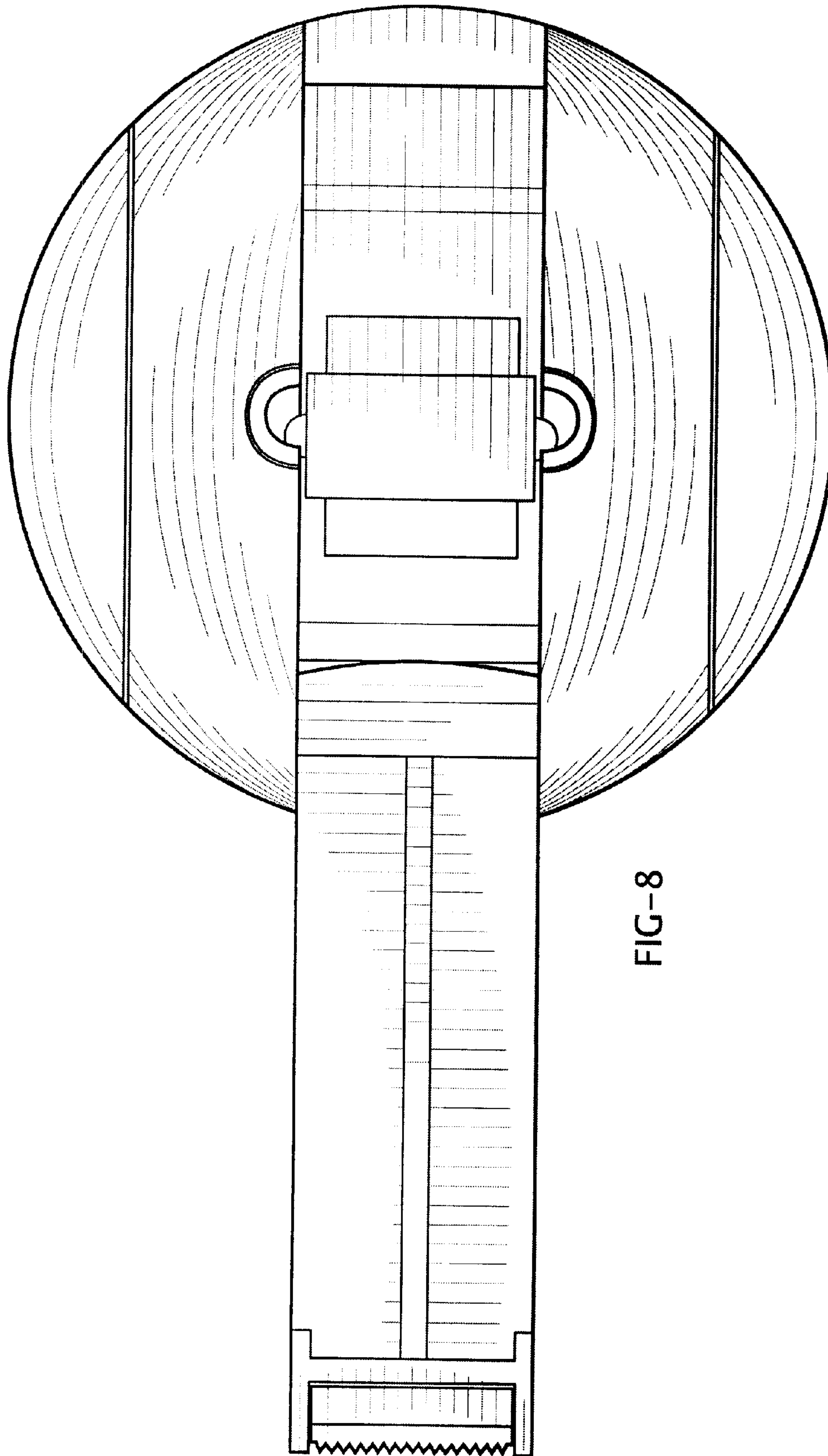


FIG-8

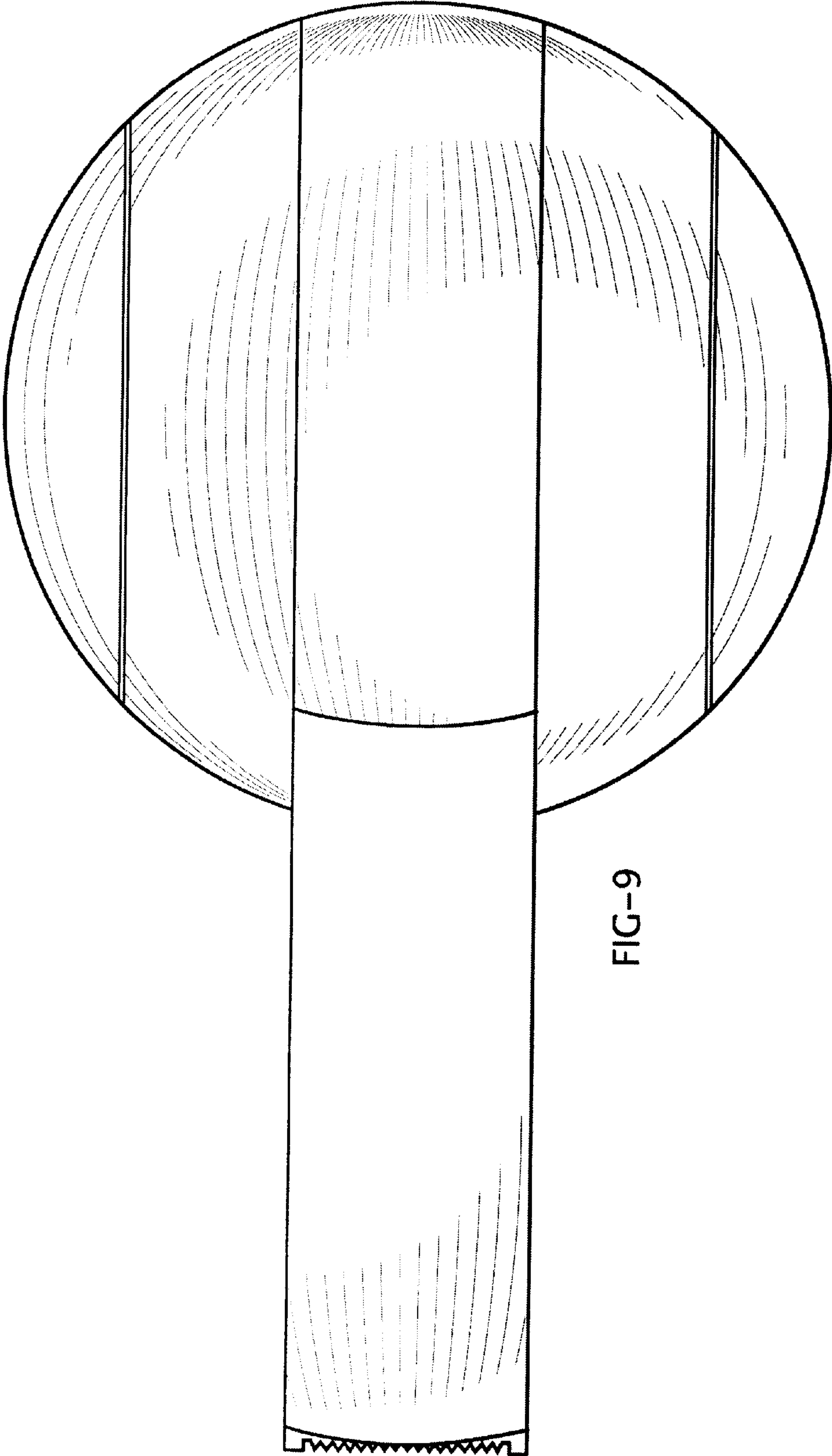


FIG-9

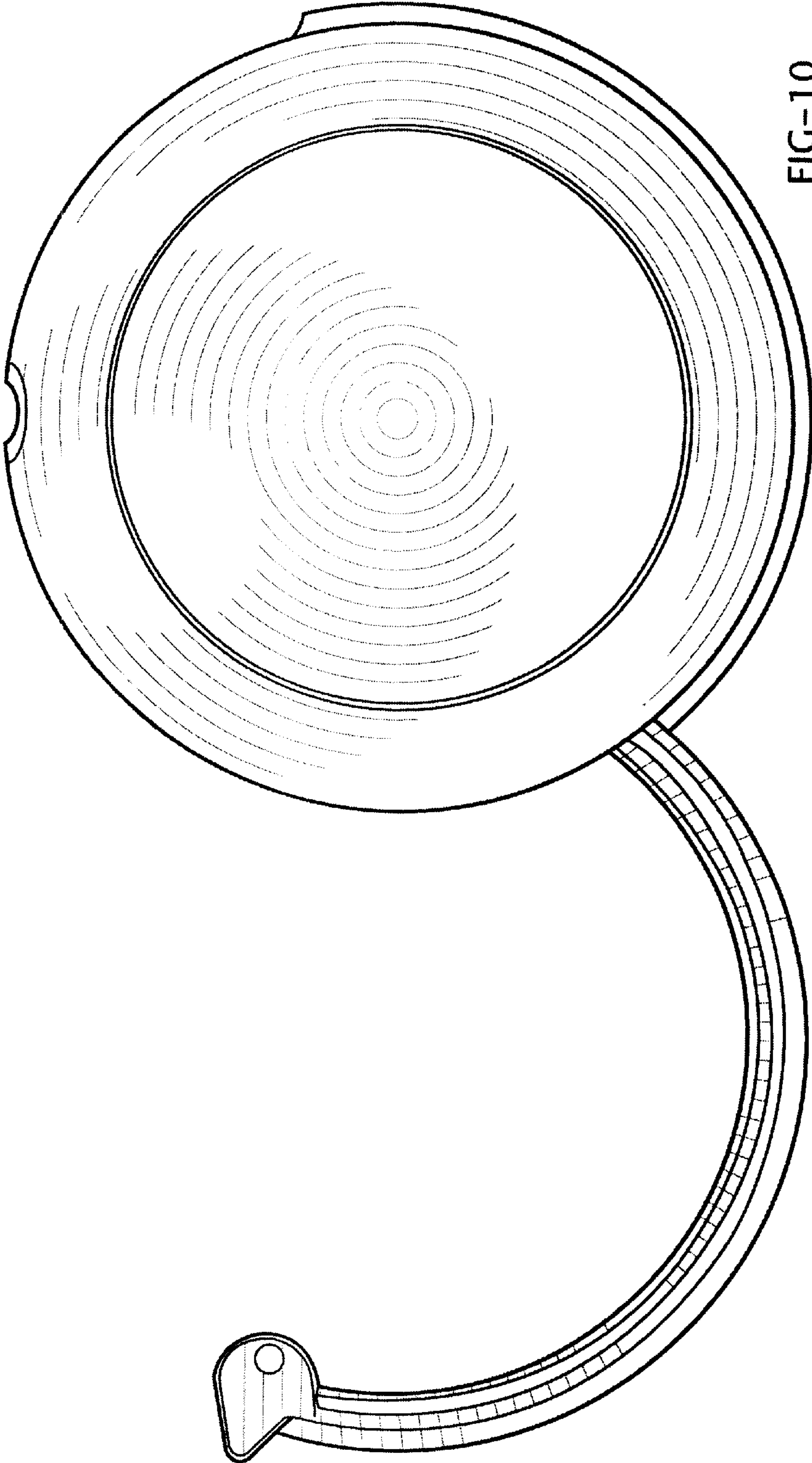


FIG-10

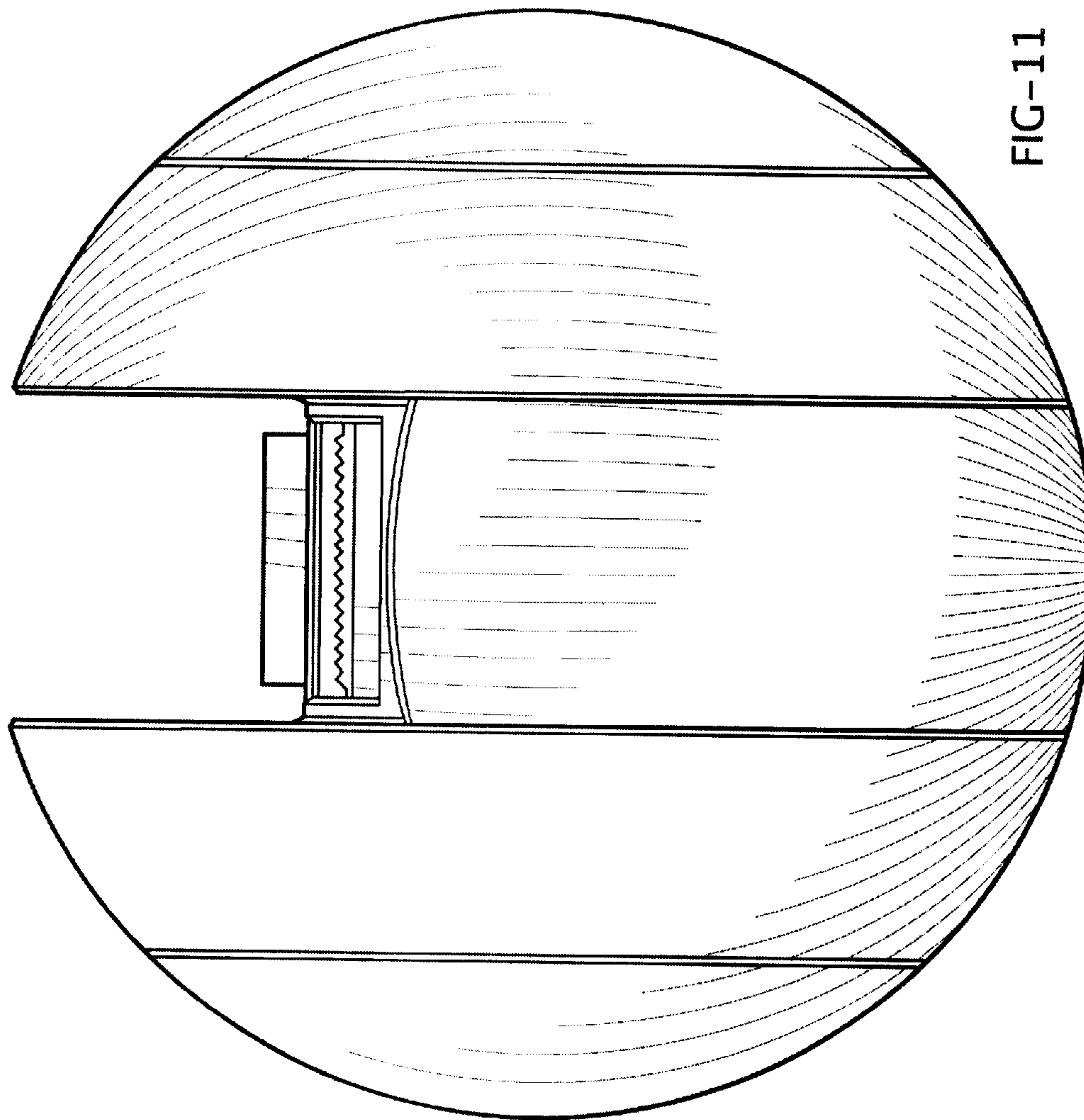


FIG-11



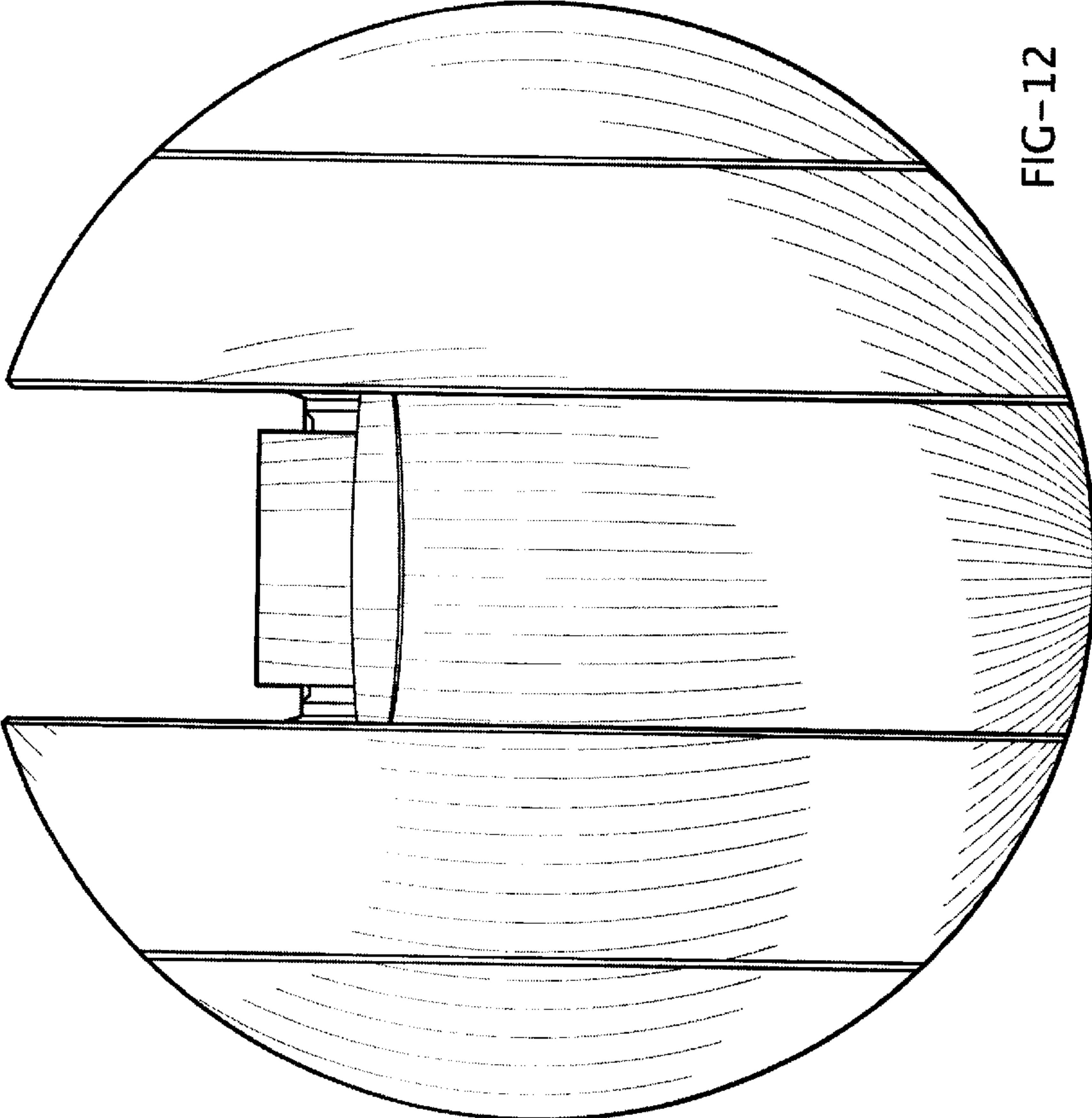


FIG-12

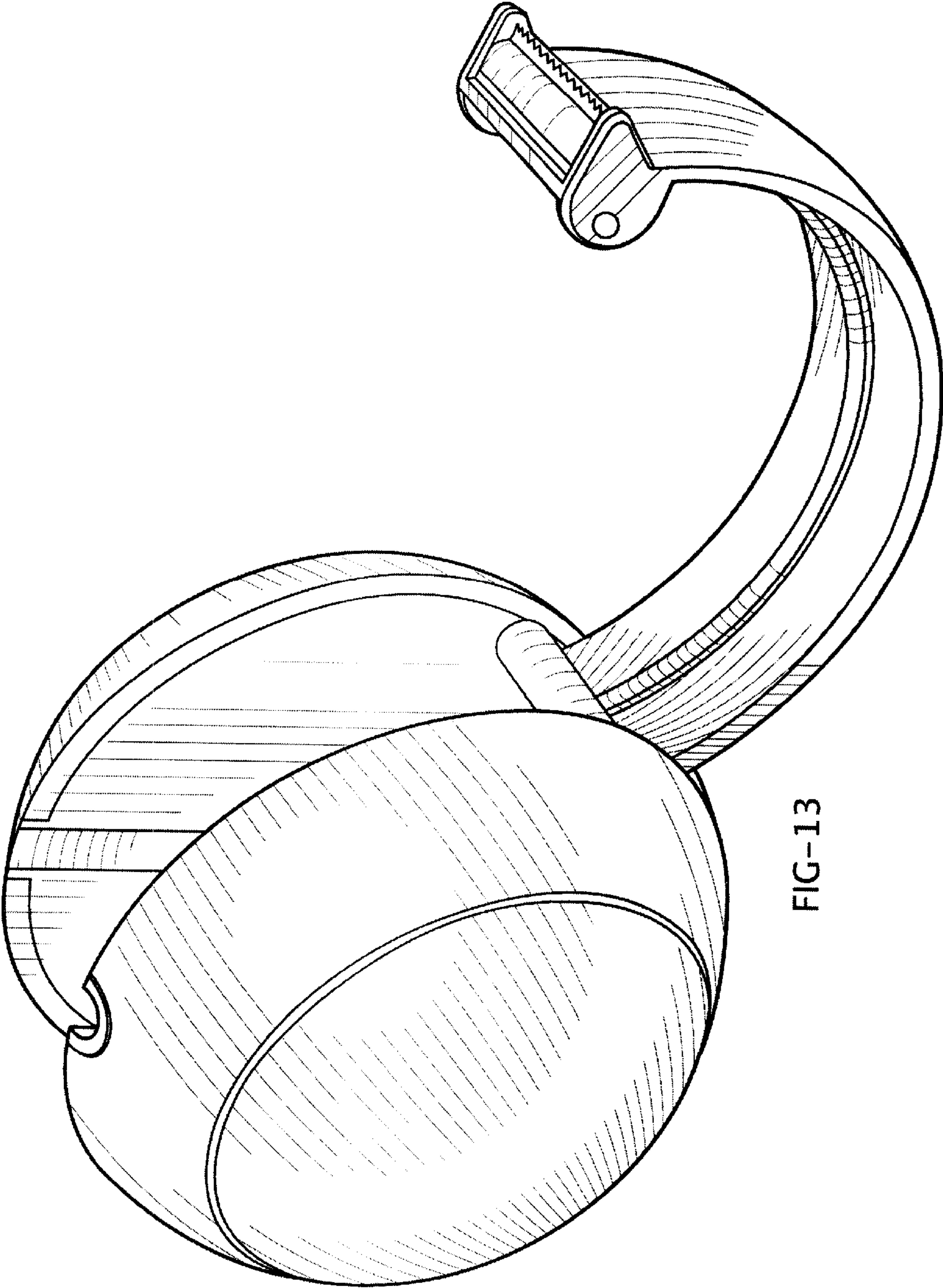


FIG-13

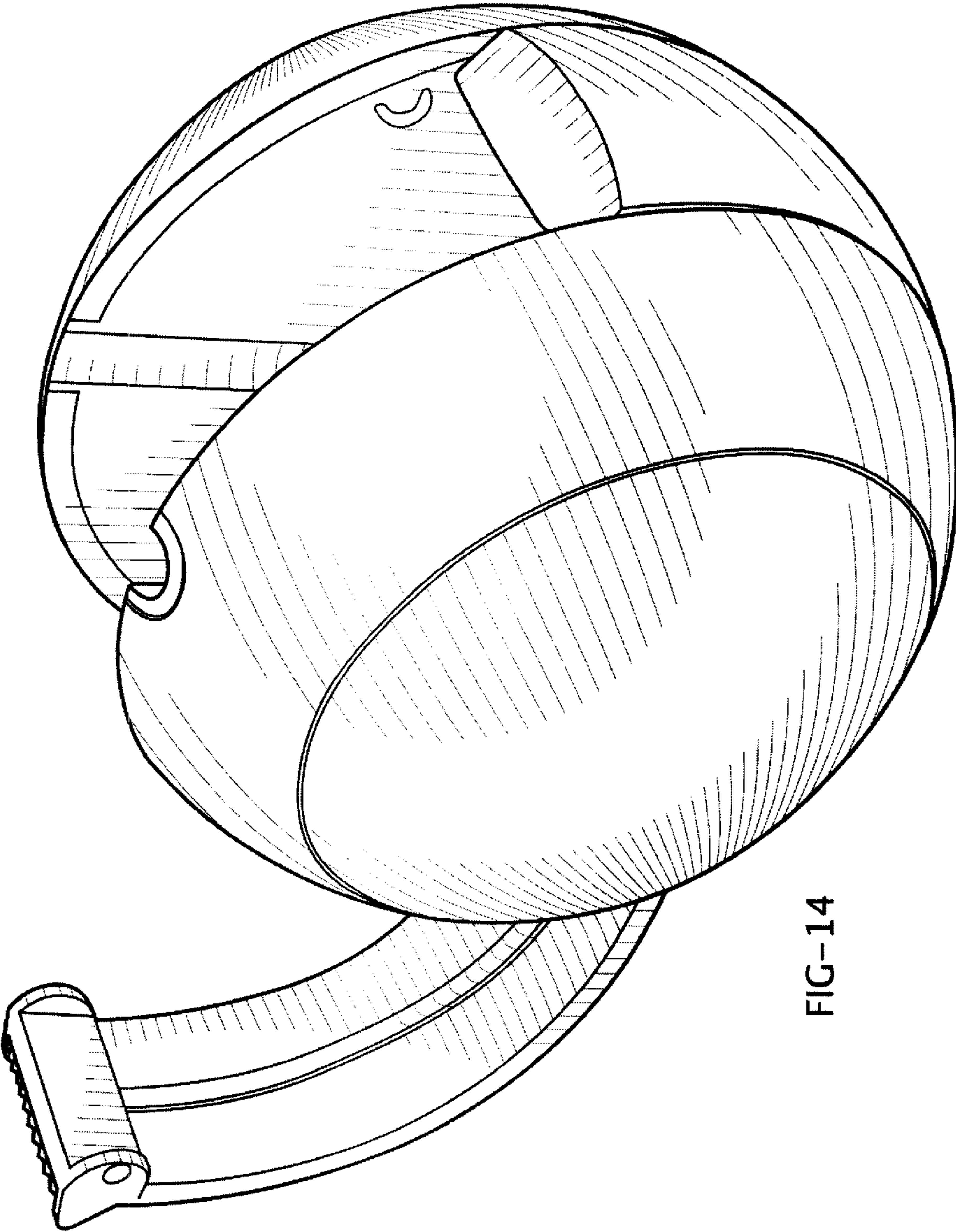


FIG-14