



US00D541346S

(12) **United States Design Patent**
Lau

(10) **Patent No.:** **US D541,346 S**
(45) **Date of Patent:** **** Apr. 24, 2007**

(54) **INTEGRATED TABBED NOTE AND CLIP**

(76) Inventor: **Janet K. Lau**, 1937 Abreu Way, Union City, CA (US) 94587

(**) Term: **14 Years**

(21) Appl. No.: **29/247,938**

(22) Filed: **Jul. 20, 2006**

(51) **LOC (8) Cl.** **19-02**

(52) **U.S. Cl.** **D19/65**

(58) **Field of Classification Search** D19/1, D19/2, 5, 6, 34, 65, 90, 91, 99, 100; D20/22, D20/27, 43; 24/67 R, 67.3, 67.5, 67.7, 67.9, 24/67.11, 489, 531, 532, 546, 564, 570, DIG. 8, 24/9, 10; 40/124.01-124.19, 312, 625, 641, 40/642.02, 651, 658, 659, 661, 664, 666
See application file for complete search history.

(56) **References Cited**

U.S. PATENT DOCUMENTS

332,327 A 12/1885 Clark

(Continued)

OTHER PUBLICATIONS

US D50,597, 4/1917, Voges (withdrawn)

Primary Examiner—Elizabeth Albert

(74) *Attorney, Agent, or Firm*—Aka Chan LLP

(57) **CLAIM**

The ornamental design for an integrated tabbed note and clip, as shown and described.

DESCRIPTION

FIG. 1 shows a perspective view of a first embodiment of a design for an integrated tabbed note and clip.

FIG. 2 shows a front view of the first embodiment.

FIG. 3 shows a right-side view of the first embodiment. A left-side view of this embodiment is a mirror image of this figure.

FIG. 4 shows a back view of the first embodiment.

FIG. 5 shows a top view of the first embodiment.

FIG. 6 shows a bottom view of the first embodiment.

FIG. 7 shows a perspective view of a second embodiment.

FIG. 8 shows a front view of the second embodiment.

FIG. 9 shows a right-side view of the second embodiment.

A left-side view of this embodiment is a mirror image of this figure.

FIG. 10 shows a back view of the second embodiment.

FIG. 11 shows a top view of the second embodiment.

FIG. 12 shows a bottom view of the second embodiment.

FIG. 13 shows a perspective view of a third embodiment.

FIG. 14 shows a front view of the third embodiment.

FIG. 15 shows a right-side view of the third embodiment.

A left-side view of this embodiment is a mirror image of this figure.

FIG. 16 shows a back view of the third embodiment.

FIG. 17 shows a top view of the third embodiment.

FIG. 18 shows a bottom view of the third embodiment.

FIG. 19 shows a perspective view of a fourth embodiment.

FIG. 20 shows a front view of the fourth embodiment.

FIG. 21 shows a right-side view of the fourth embodiment.

A left-side view of this embodiment is a mirror image of this figure.

FIG. 22 shows a back view of the fourth embodiment.

FIG. 23 shows a top view of the fourth embodiment.

FIG. 24 shows a bottom view of the fourth embodiment.

FIG. 25 shows a perspective view of a fifth embodiment.

FIG. 26 shows a front view of the fifth embodiment.

FIG. 27 shows a right-side view of the fifth embodiment.

A left-side view of this embodiment is a mirror image of this figure.

FIG. 28 shows a back view of the fifth embodiment.

FIG. 29 shows a top view of the fifth embodiment.

FIG. 30 shows a bottom view of the fifth embodiment.

FIG. 31 shows a perspective view of a sixth embodiment.

FIG. 32 shows a front view of the sixth embodiment.

FIG. 33 shows a right-side view of the sixth embodiment.

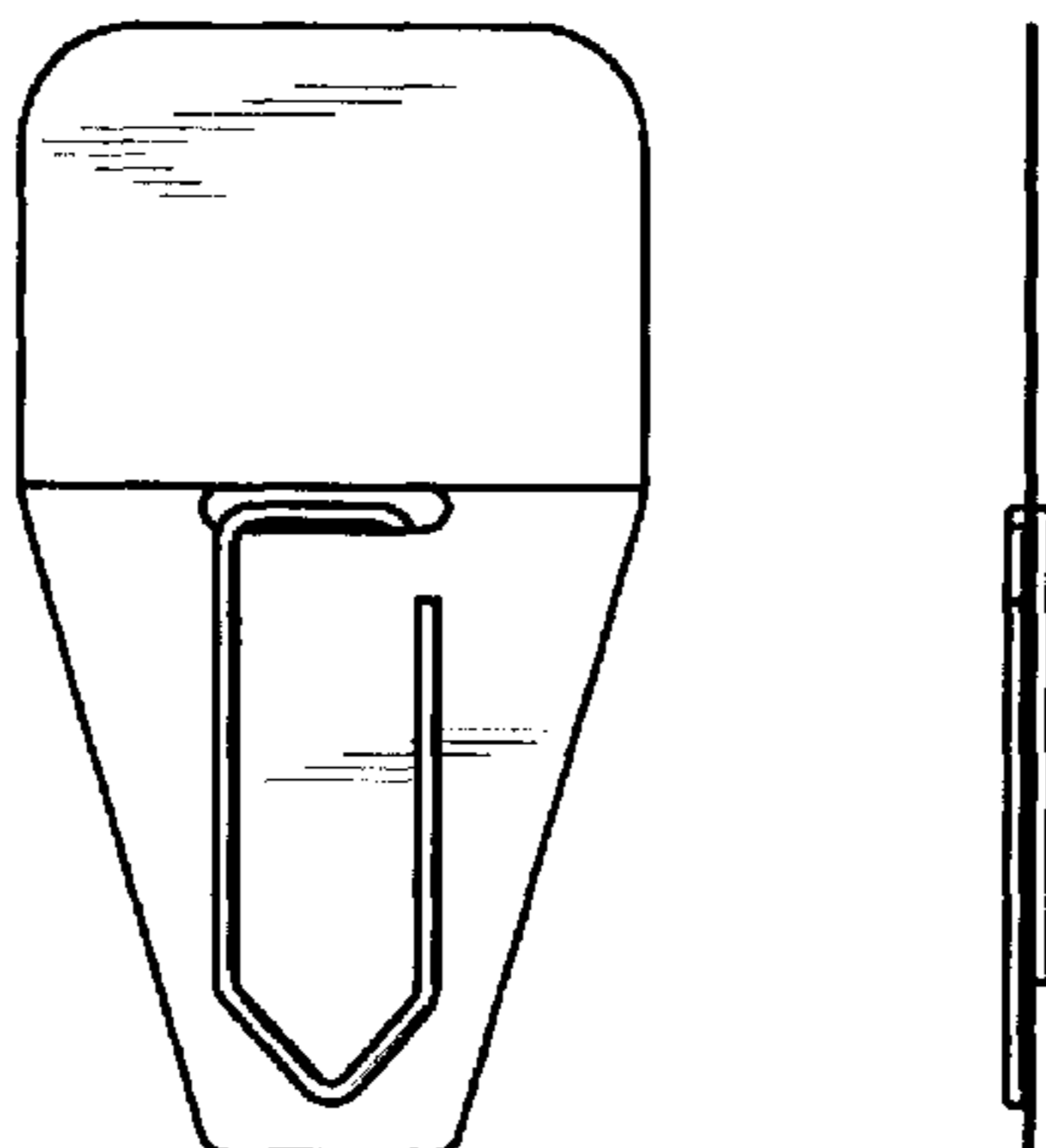
A left-side view of this embodiment is a mirror image of this figure.

FIG. 34 shows a back view of the sixth embodiment.

FIG. 35 shows a top view of the sixth embodiment; and,

FIG. 36 shows a bottom view of the sixth embodiment.

1 Claim, 6 Drawing Sheets



US D541,346 S

Page 2

U.S. PATENT DOCUMENTS

863,265 A	8/1907	Crouse	2,420,021 A	5/1947	Straubel	
876,252 A	1/1908	Baker	2,623,311 A	12/1952	Condon	
962,397 A	6/1910	Whitmore	3,073,046 A	1/1963	Condon	
1,052,505 A	2/1913	Munger et al.	3,123,924 A	3/1964	Roberts	
1,123,008 A	12/1914	Rice	3,225,469 A	12/1965	Chase	
1,158,940 A	11/1915	Litt et al.	3,290,810 A	12/1966	Morena	
1,178,113 A	4/1916	Turton et al.	3,360,877 A	1/1968	Estep	
1,345,365 A	7/1920	Hutchison	3,934,368 A	1/1976	Fearing	
1,465,576 A	8/1923	Biggs	D241,342 S	9/1976	Carroll	
1,501,067 A	7/1924	Schaffert	D268,848 S	5/1983	Lorber	
1,524,478 A	1/1925	Hunter	4,384,417 A *	5/1983	Thompson	40/659
1,587,335 A	6/1926	Kline	4,425,724 A	1/1984	Scott	
1,661,165 A	3/1928	Cameron	4,646,455 A	3/1987	Gardner	
1,778,031 A	10/1930	Kinch	4,691,458 A	9/1987	Scott	
1,802,980 A	4/1931	Marsh	D307,441 S *	4/1990	Roberson, Jr.	D19/34
1,826,580 A	10/1931	Spinney	4,951,408 A	8/1990	Banks	
1,840,604 A	1/1932	Randall	D314,012 S	1/1991	Klodt	
1,894,906 A	1/1933	Henry	5,199,203 A	4/1993	Jones	
1,914,671 A	6/1933	O'Neil	5,481,784 A	1/1996	Sinaiko	
1,976,465 A	10/1934	Thomson	D368,487 S *	4/1996	Lindberg	D19/1
1,977,096 A	10/1934	Straubel	5,507,459 A	4/1996	Kiera	
1,985,866 A	12/1934	Lankenau	D383,789 S	9/1997	Shyu	
1,997,894 A	4/1935	Woodley	5,797,783 A *	8/1998	Harris	446/77
2,008,019 A	7/1935	Hortlick, Jr.	D465,525 S	11/2002	Dilday	
2,118,043 A	5/1938	Goza	D480,754 S *	10/2003	Berger	D19/1
2,156,743 A	5/1939	Skrebba	6,923,411 B2 *	8/2005	Chen et al.	248/222.41
2,323,552 A	7/1943	Marion	7,005,170 B1 *	2/2006	Simpson et al.	428/40.1
D136,639 S	11/1943	Hoffman	2005/0217078 A1	10/2005	Groch et al.	
2,362,445 A	11/1944	Blodgett	2006/0000133 A1	1/2006	Windorski	
2,415,248 A	2/1947	Kenna et al.				

* cited by examiner

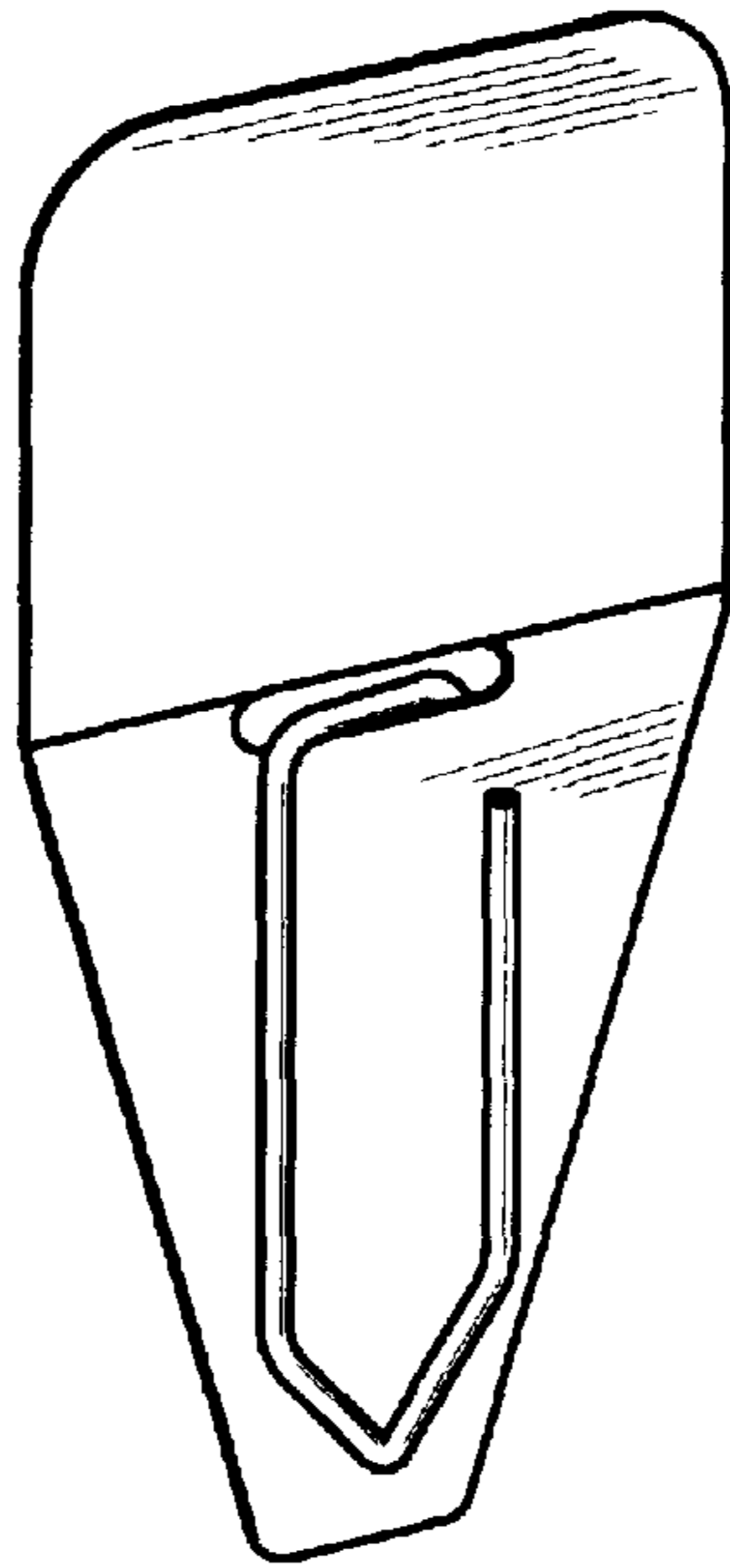


FIG. 1



FIG. 5



FIG. 6

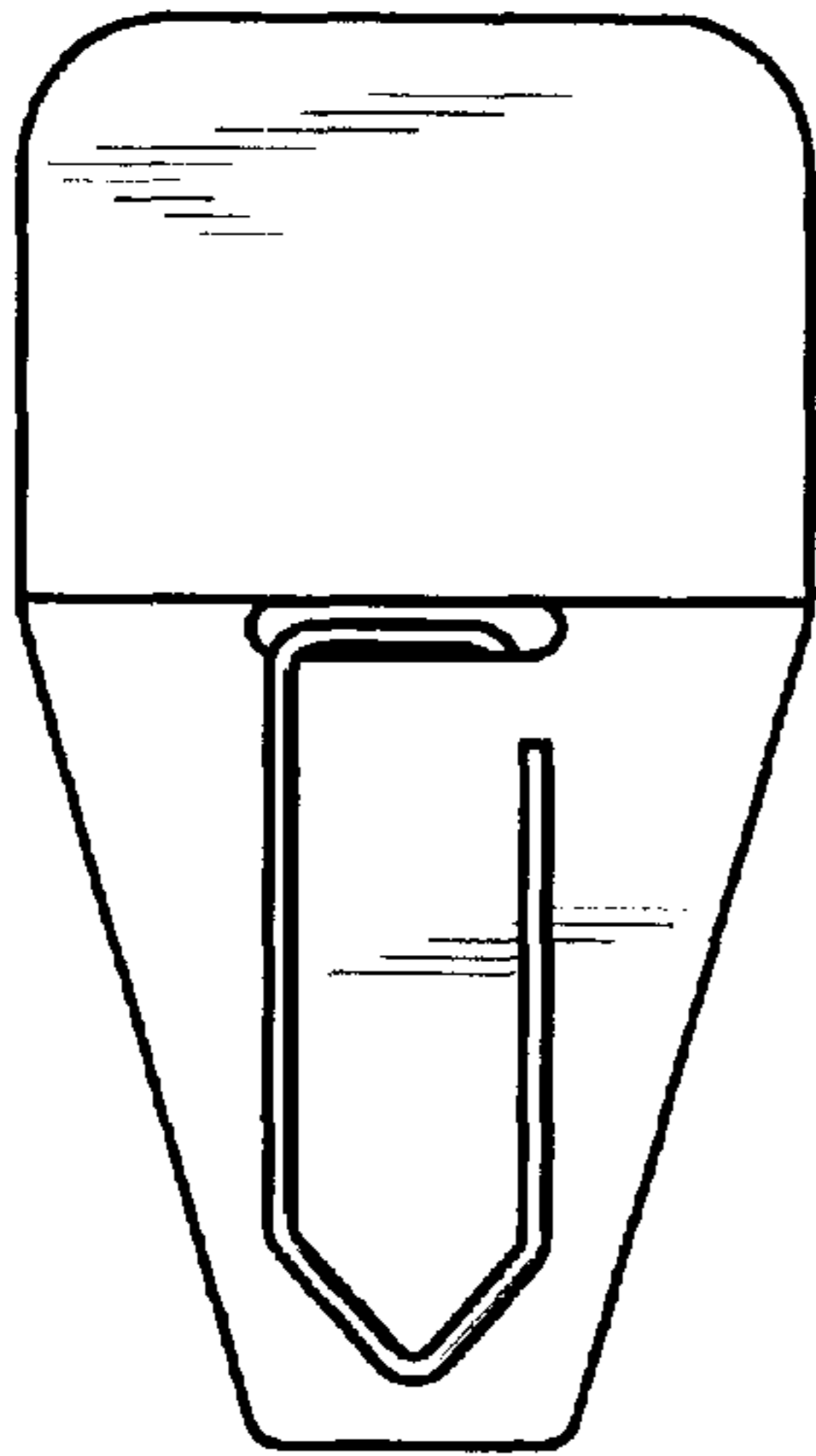


FIG. 2



FIG. 3

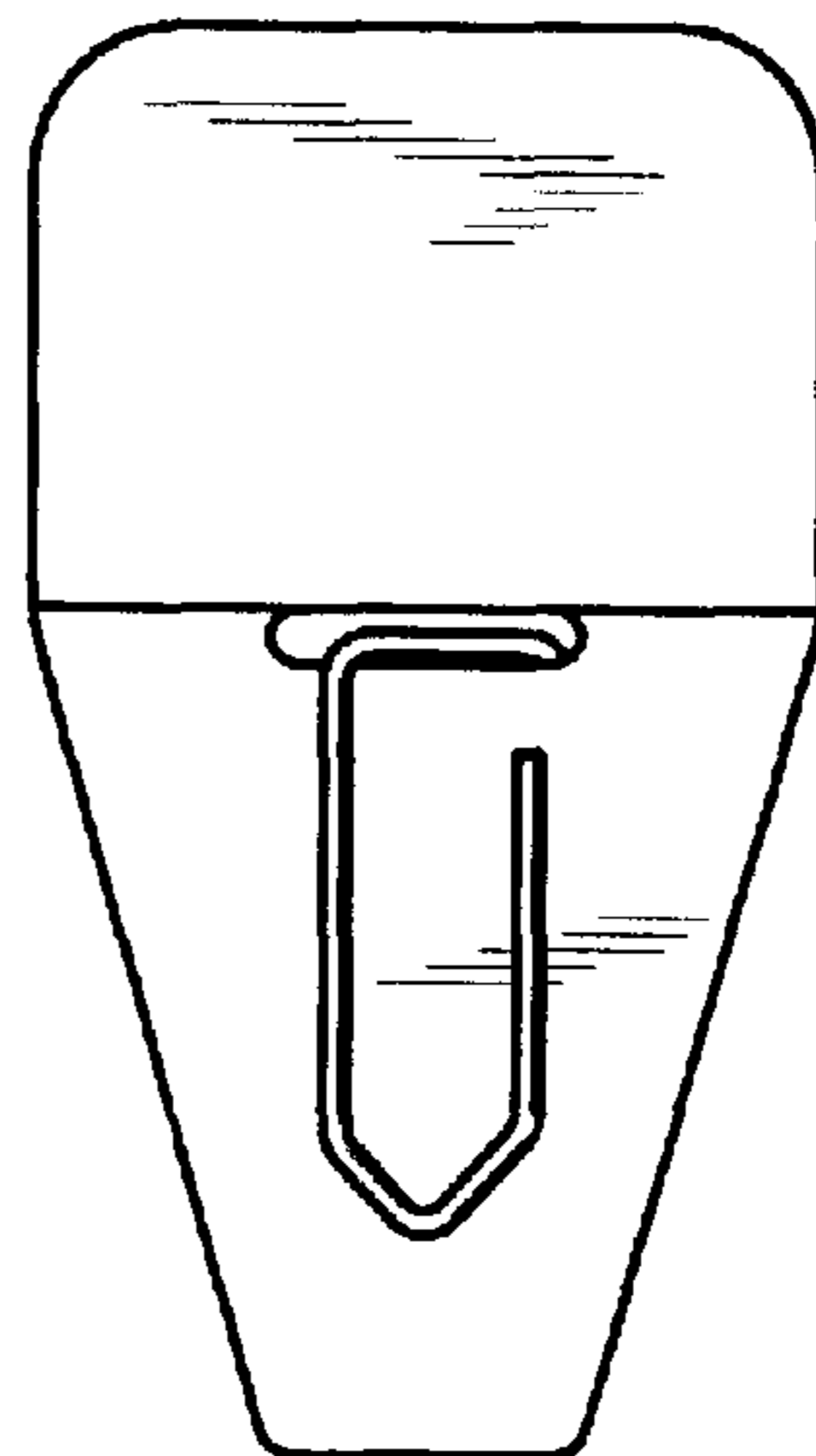


FIG. 4

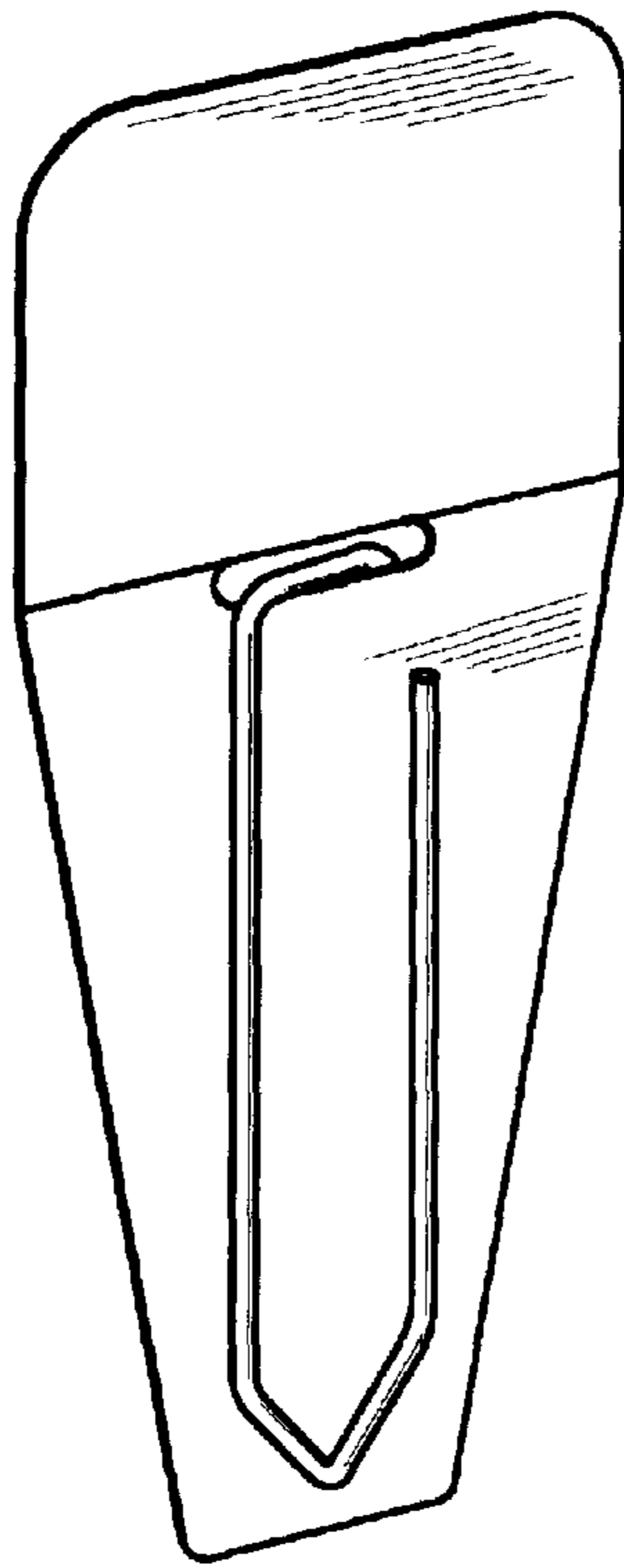


FIG. 7



FIG. 11

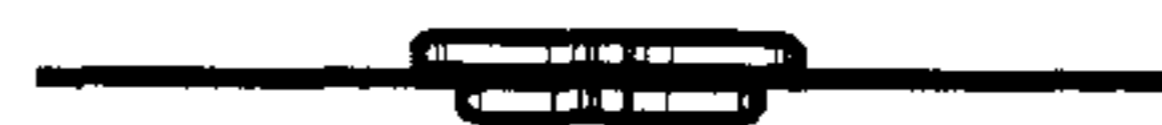


FIG. 12

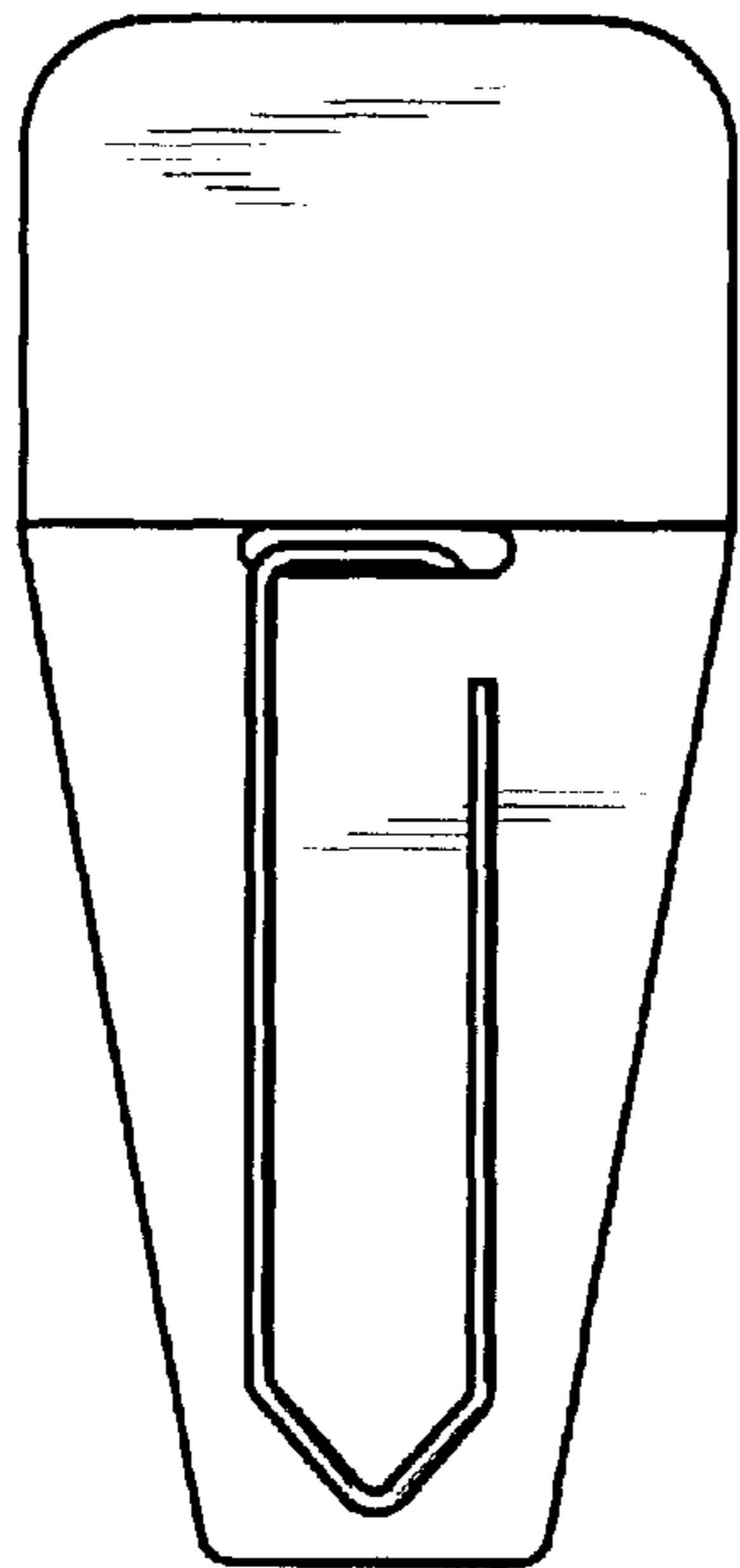


FIG. 8



FIG. 9

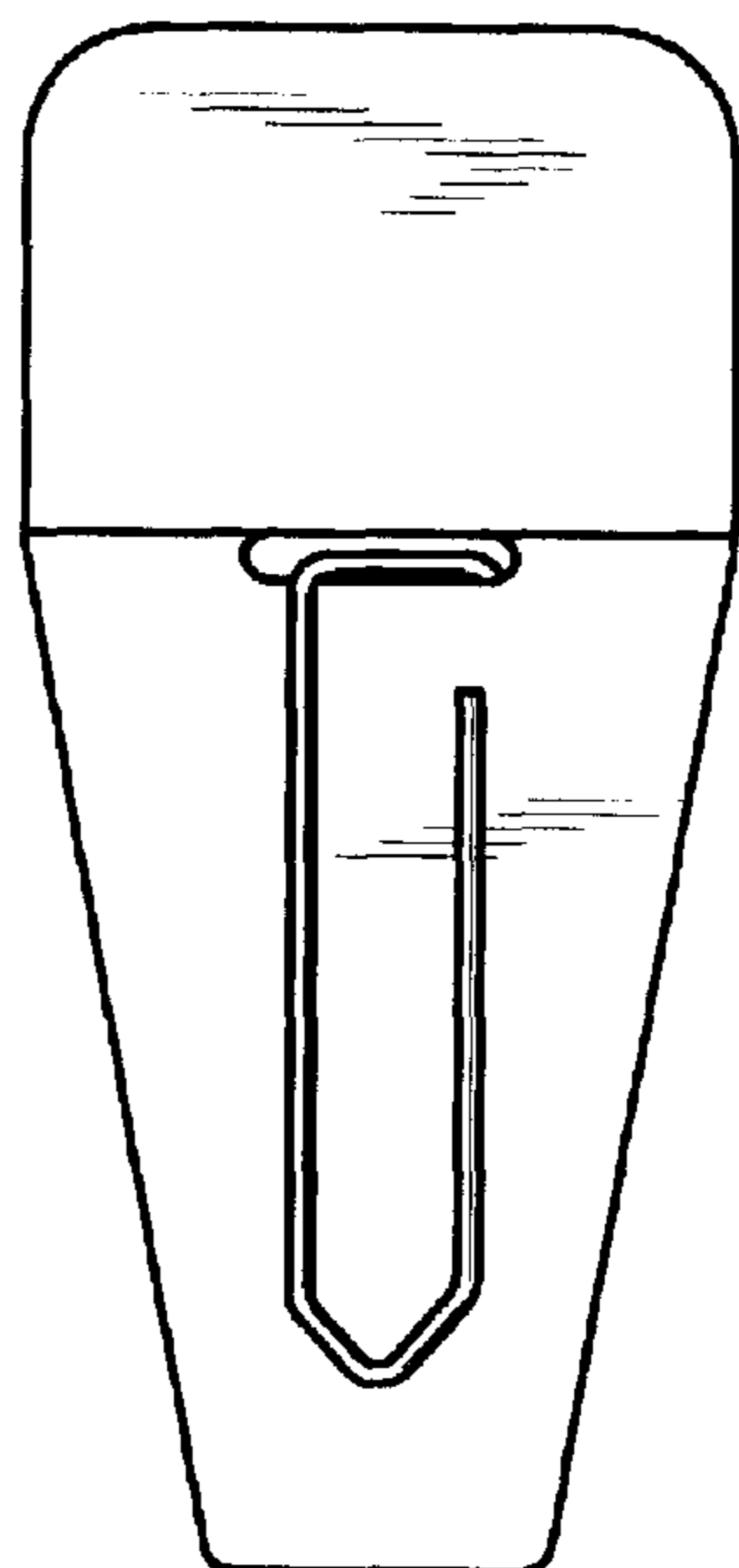


FIG. 10

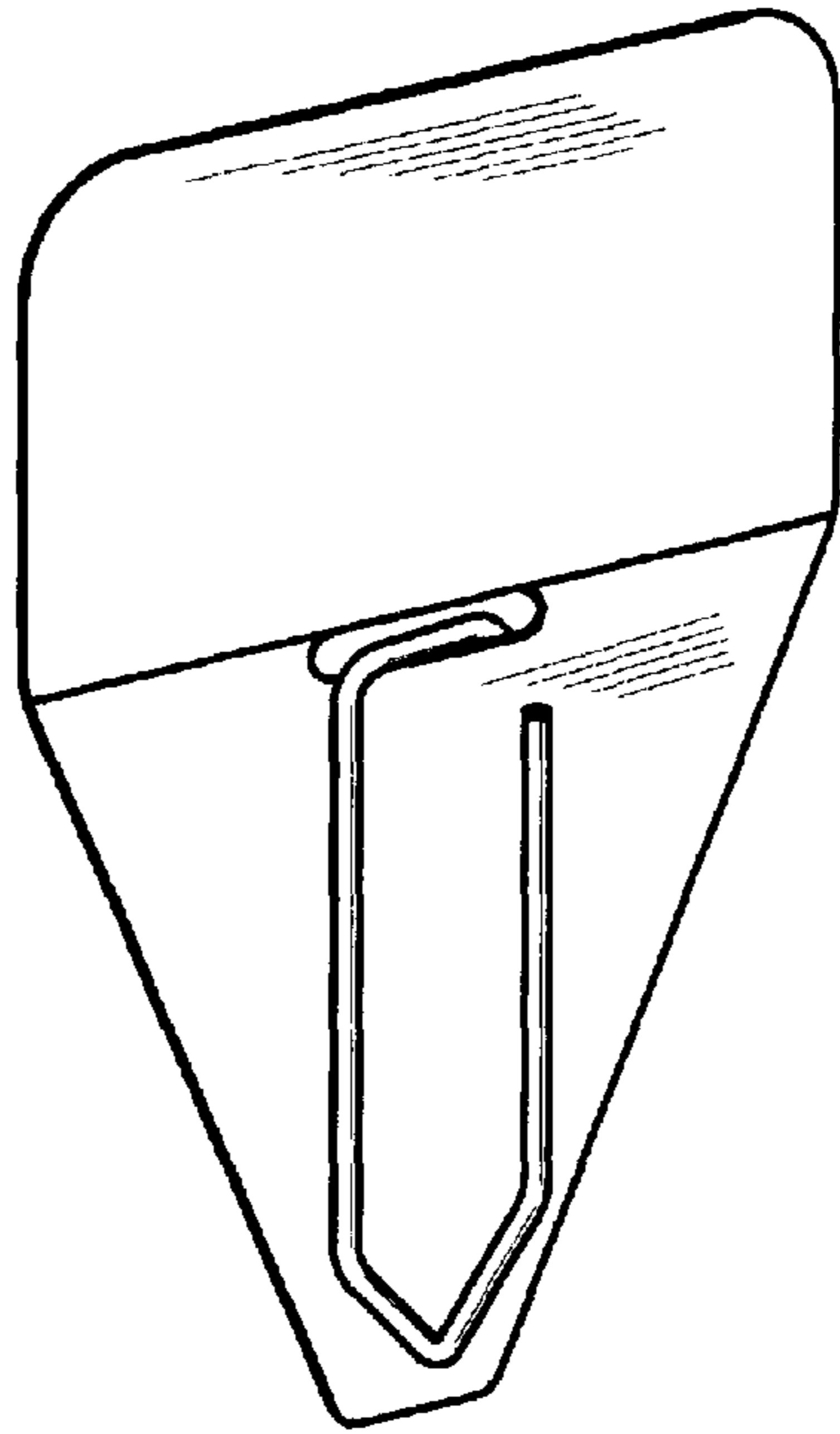


FIG. 13



FIG. 17



FIG. 18

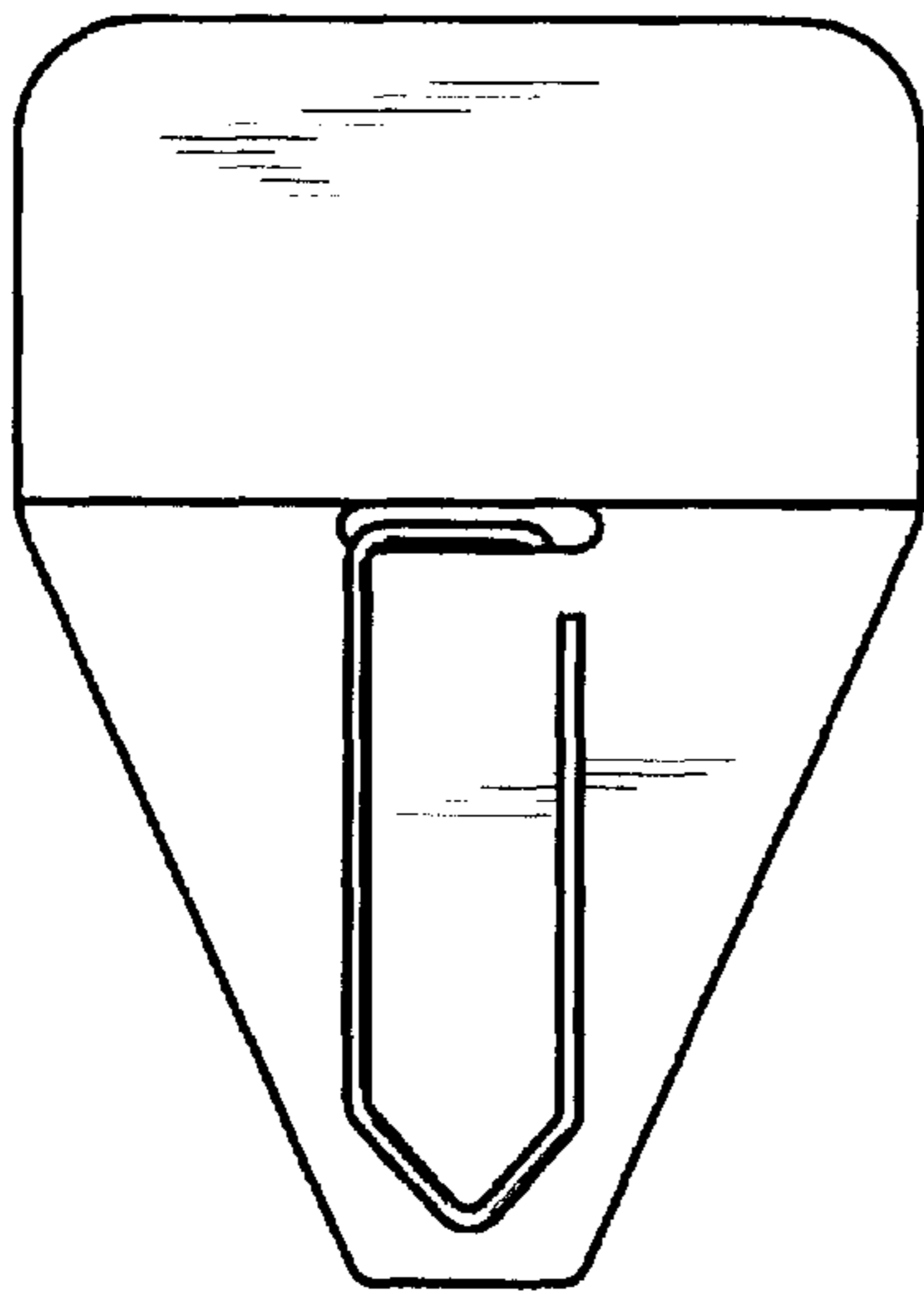


FIG. 14



FIG. 15

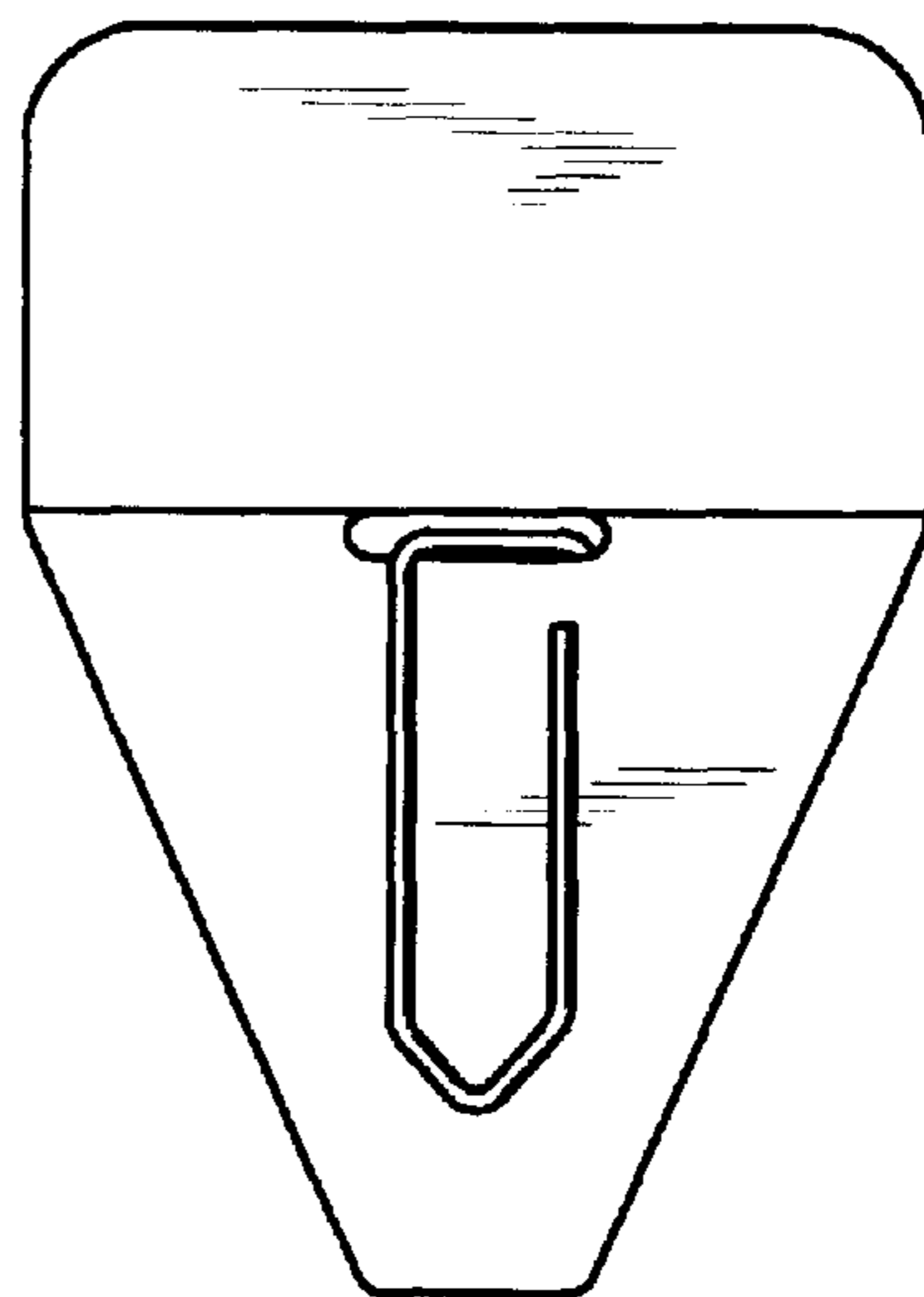


FIG. 16

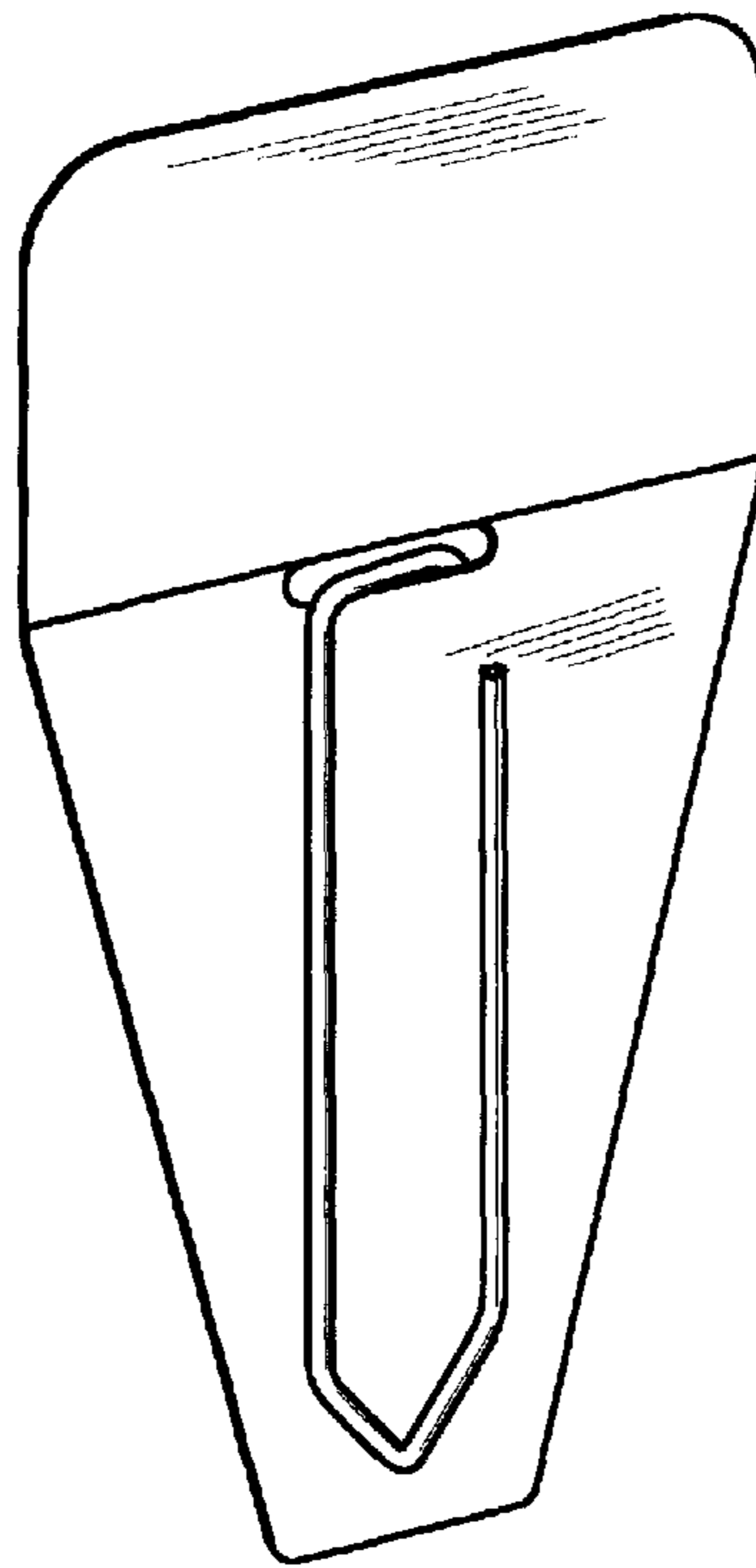


FIG. 19



FIG. 23

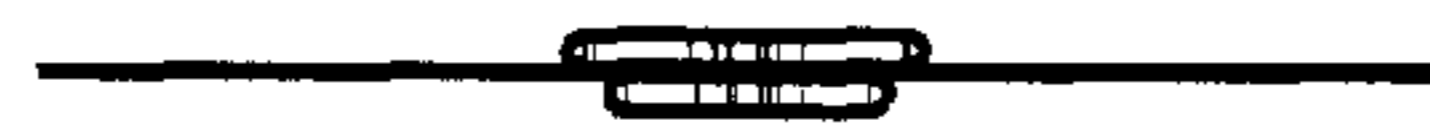


FIG. 24

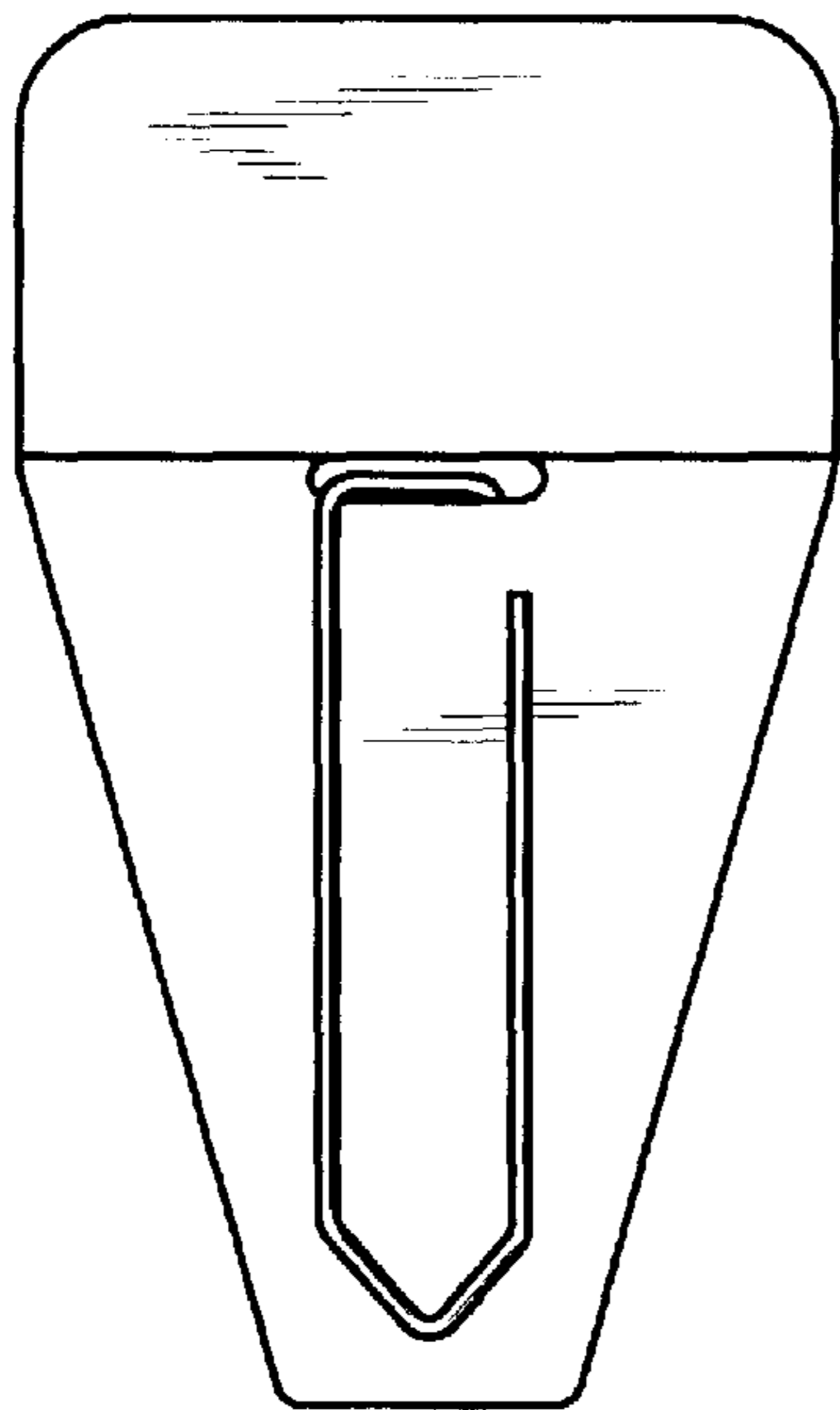


FIG. 20



FIG. 21

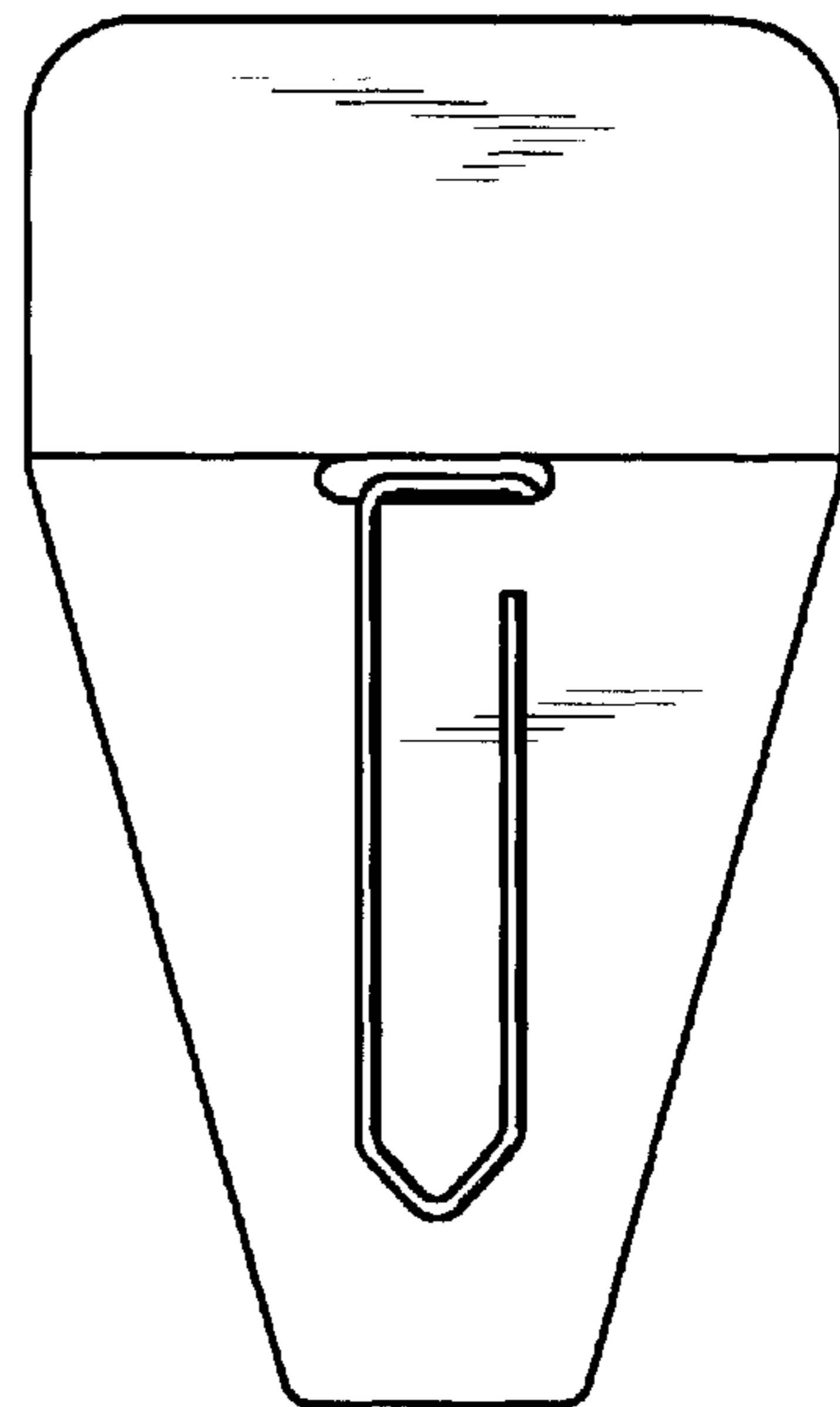


FIG. 22

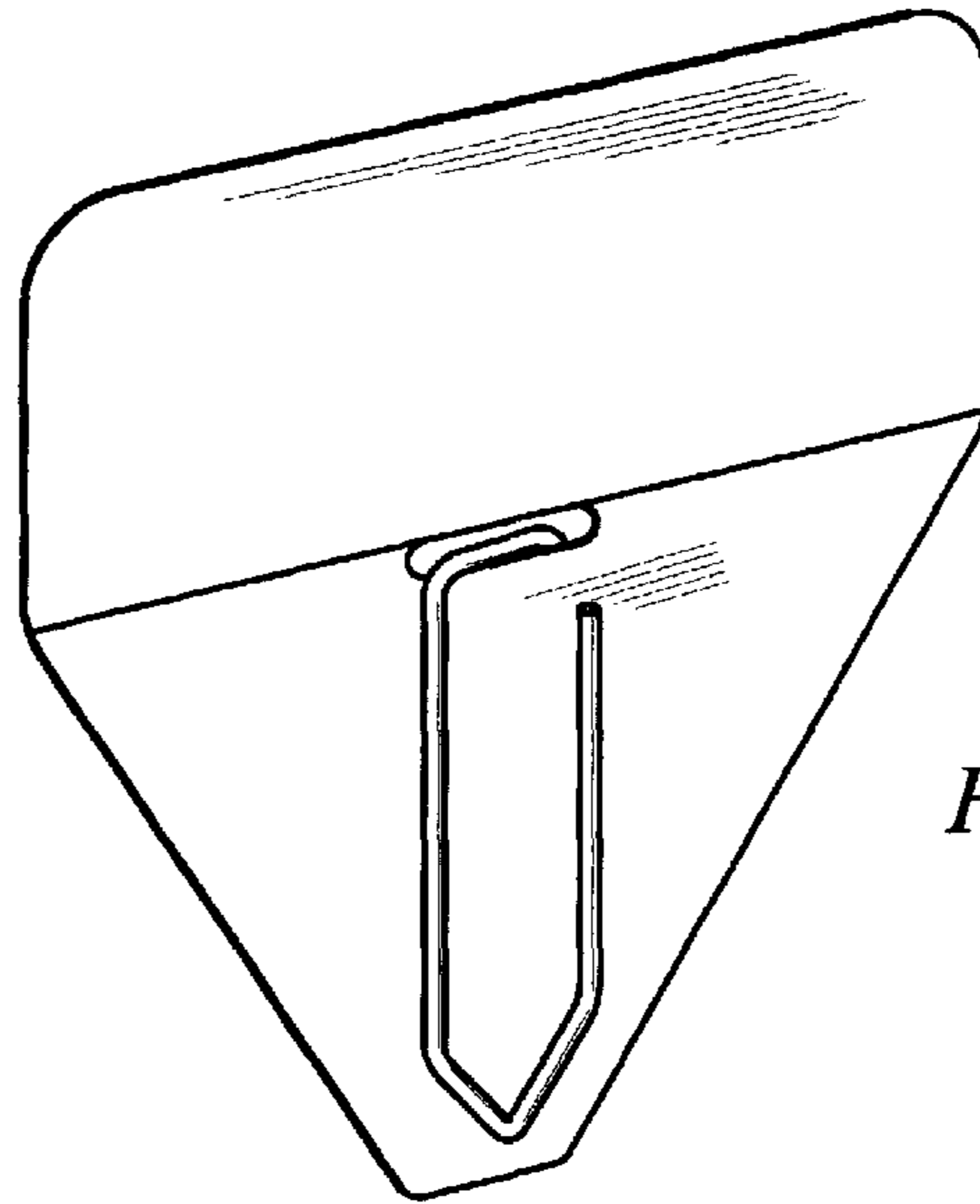


FIG. 25



FIG. 29

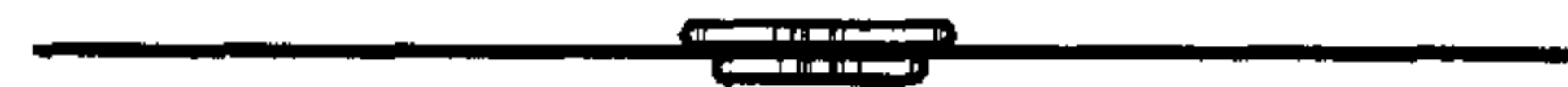


FIG. 30

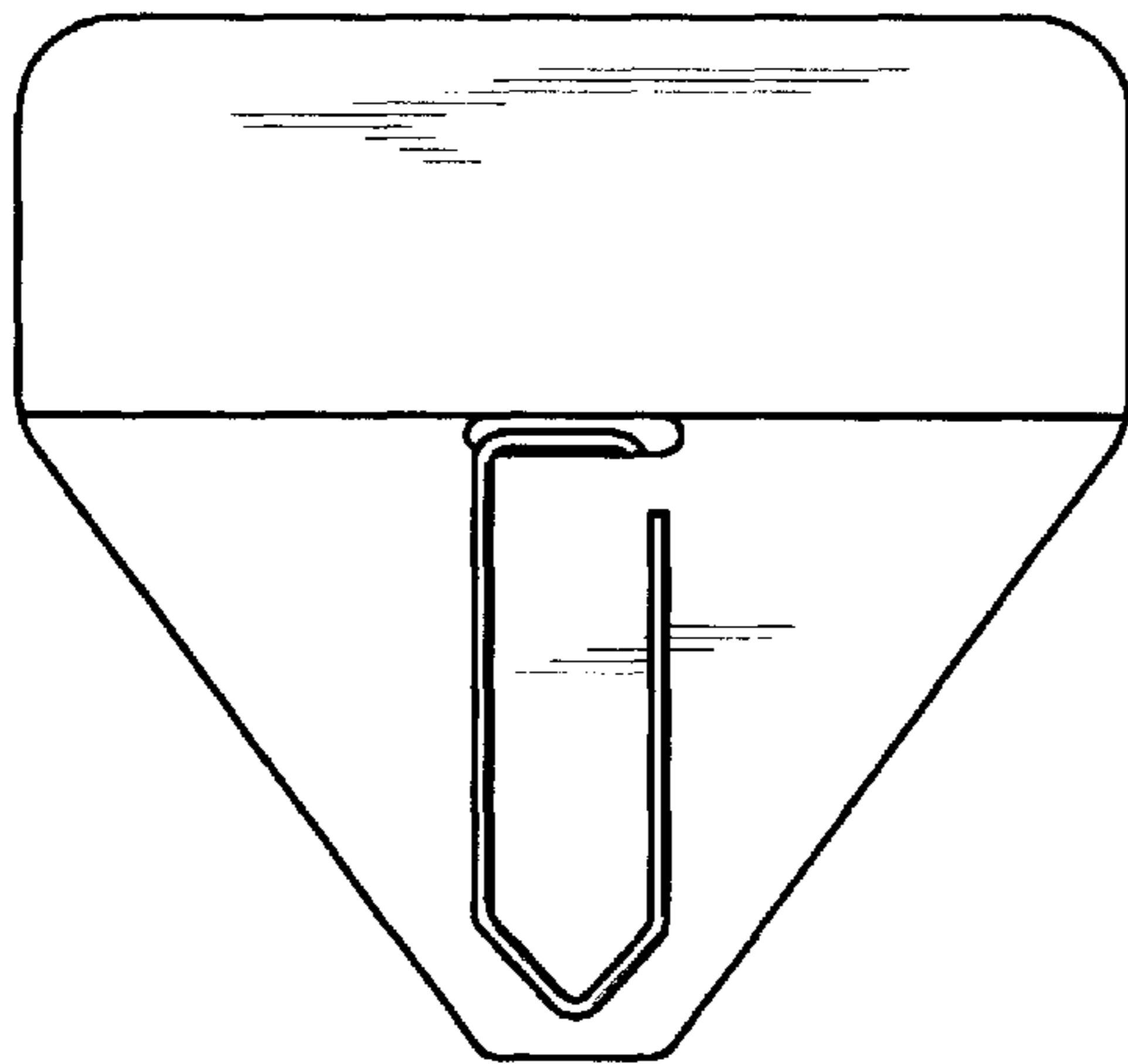


FIG. 26



FIG. 27

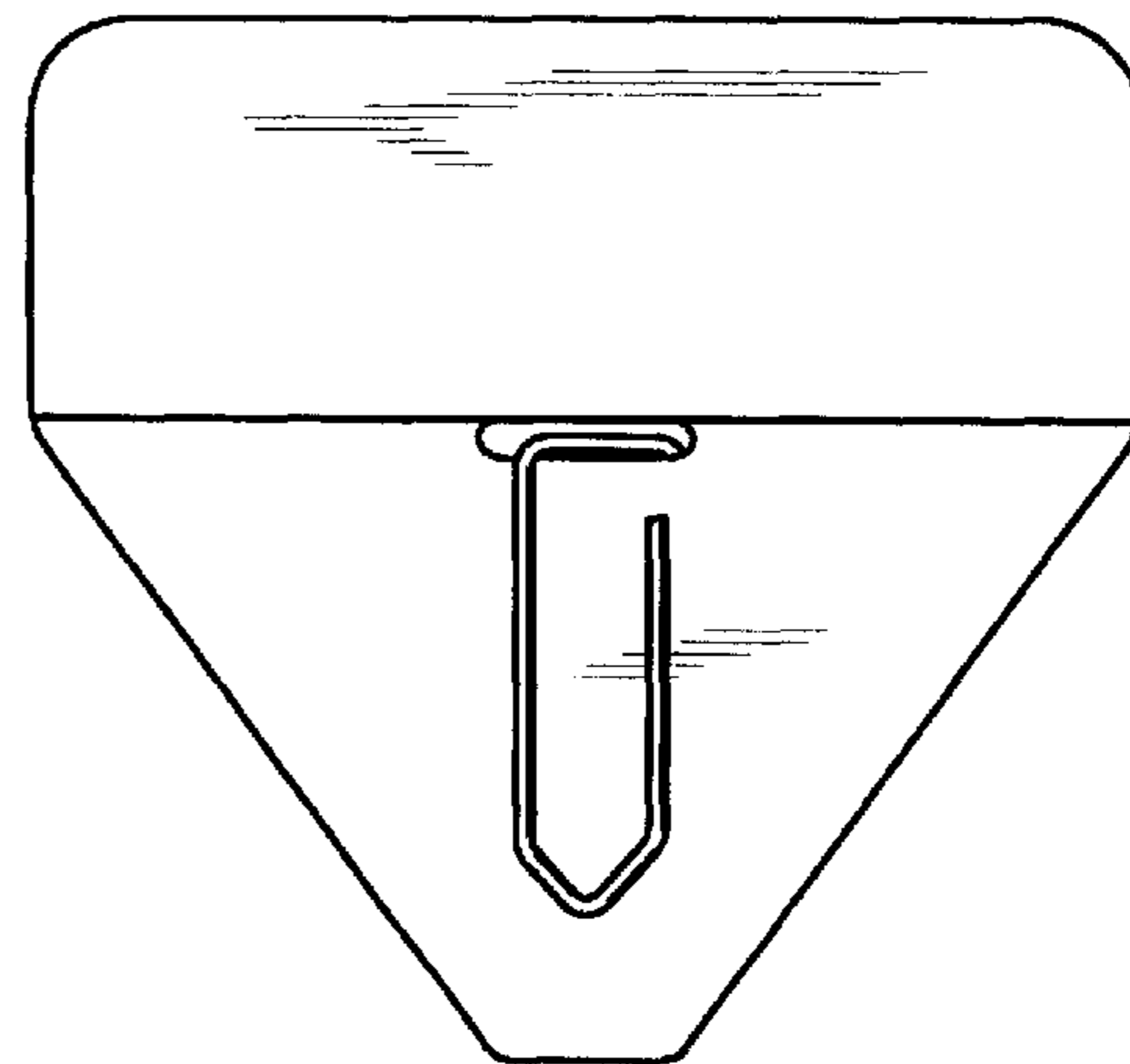


FIG. 28

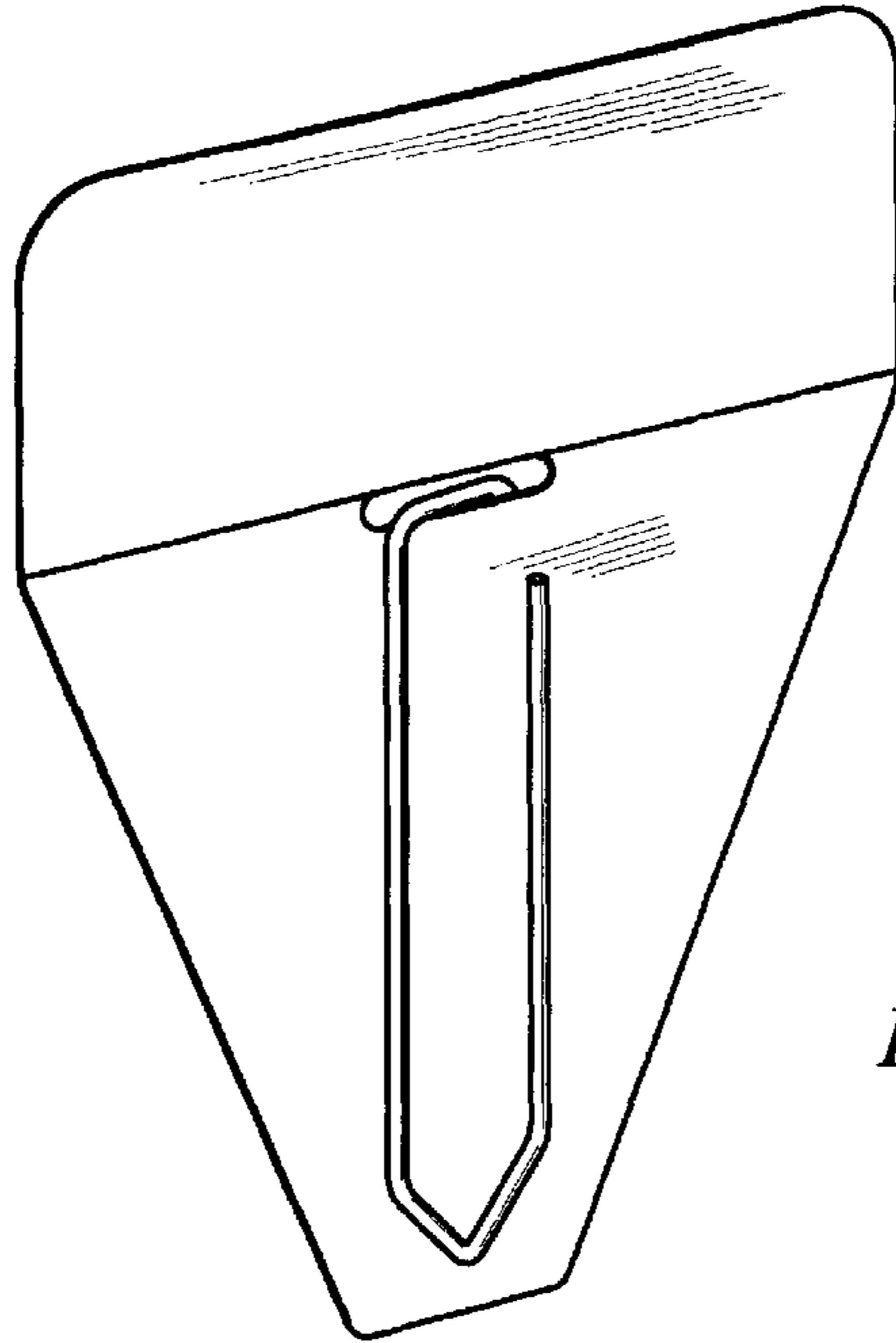


FIG. 31



FIG. 35

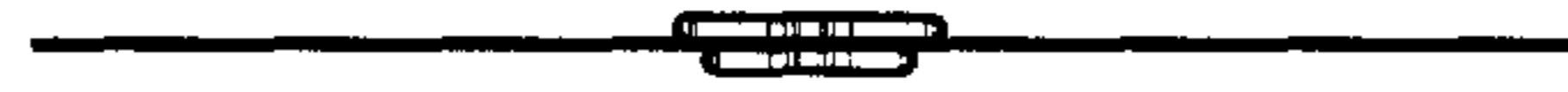


FIG. 36

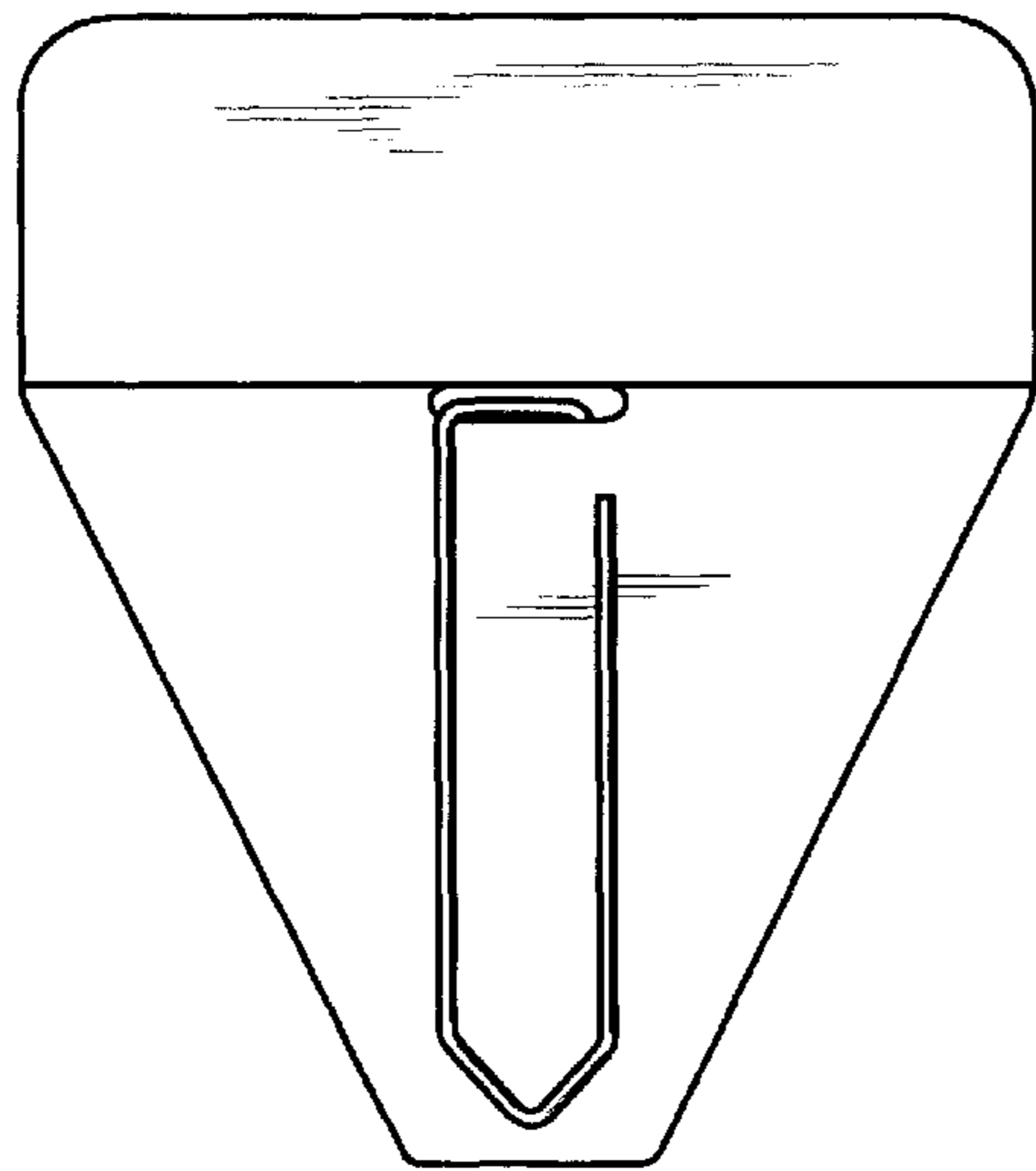


FIG. 32



FIG. 33

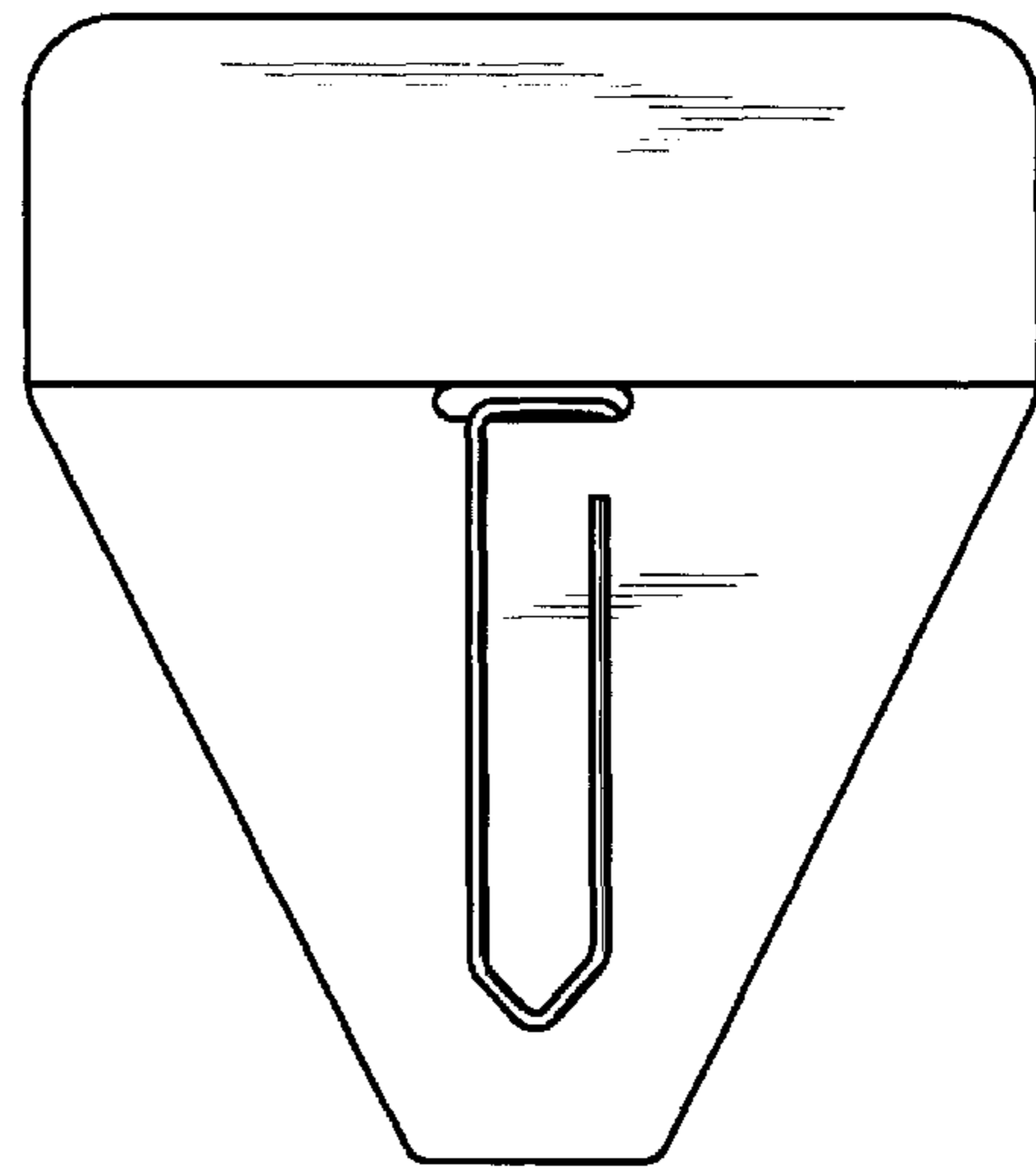


FIG. 34