

US00D541341S

(12) **United States Design Patent**
Oi

(10) **Patent No.:** **US D541,341 S**

(45) **Date of Patent:** **** Apr. 24, 2007**

(54) **BALLPOINT PEN**

D508,715 S * 8/2005 Rommel D19/43
D513,766 S * 1/2006 Cetera D19/36

(75) Inventor: **Yukiko Oi**, Tokyo (JP)

* cited by examiner

(73) Assignee: **Tombow Pencil Co., Ltd.**, Tokyo (JP)

Primary Examiner—Elizabeth A. Albert

(**) Term: **14 Years**

(74) *Attorney, Agent, or Firm*—Birch, Stewart, Kolasch and Birch, LLP

(21) Appl. No.: **29/233,859**

(57) **CLAIM**

(22) Filed: **Jul. 12, 2005**

The ornamental design for a ballpoint pen, as shown and described.

(30) **Foreign Application Priority Data**

Jan. 24, 2005 (JP) 2005-001635

DESCRIPTION

(51) **LOC (8) Cl.** **19-06**

(52) **U.S. Cl.** **D19/47**

(58) **Field of Classification Search** D19/36,
D19/37, 41–51, 54–57; 24/11 R, 11 F, 11 P;
401/52, 99, 100, 104, 105, 106, 107, 108,
401/109, 192, 195, 243–247

FIG. 1 is a perspective view of the ballpoint pen showing my new design in a status with a tip covered by a cap;

FIG. 2 is a front view thereof;

FIG. 3 is a rear view thereof;

FIG. 4 is a top view thereof;

FIG. 5 is a bottom view thereof;

FIG. 6 is a top view thereof in a status with the tip exposed for use;

FIG. 7 is a top view thereof with the cap omitted;

FIG. 8 is a bottom view thereof with the cap omitted;

FIG. 9 is a rear view thereof with the cap omitted;

FIG. 10 is a front view thereof with the cap omitted;

FIG. 11 is a bottom view thereof in a status with the tip exposed for use; and,

FIG. 12 is a perspective view thereof in a status with the tip exposed for use.

The pattern of dots on a portion of the pen barrel represents a contrasting material.

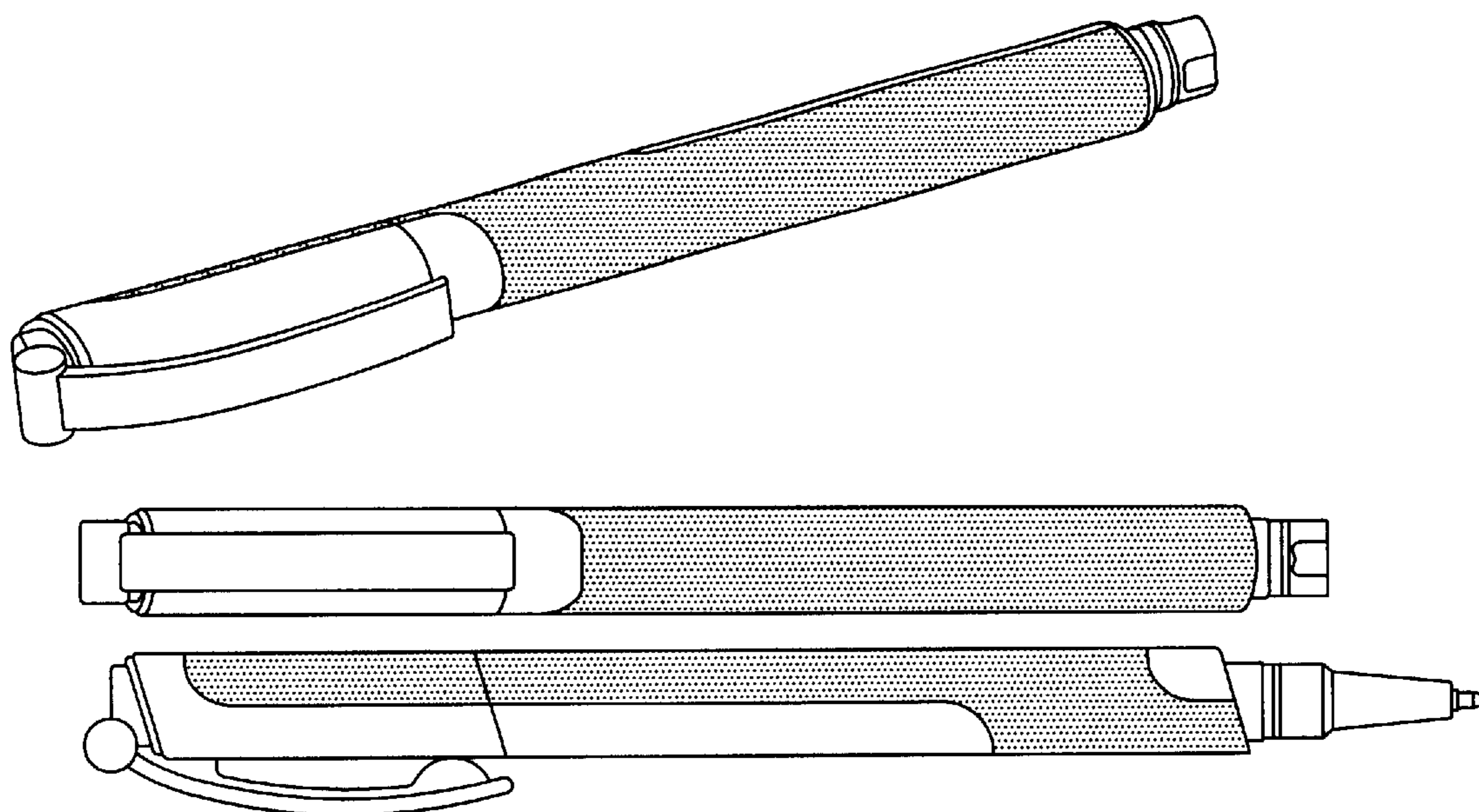
See application file for complete search history.

(56) **References Cited**

U.S. PATENT DOCUMENTS

- D190,349 S * 5/1961 Doman D19/57
- D342,546 S * 12/1993 Song D19/50
- D354,985 S * 1/1995 Hong D19/50
- D410,031 S * 5/1999 Charriol D19/51
- D426,572 S * 6/2000 Salemme et al. D19/47
- D462,386 S * 9/2002 Iwase et al. D19/43
- D462,717 S * 9/2002 Rommel D19/56
- D466,933 S * 12/2002 Ferrara, Jr. D19/47
- D482,067 S * 11/2003 Yang D19/50

1 Claim, 4 Drawing Sheets



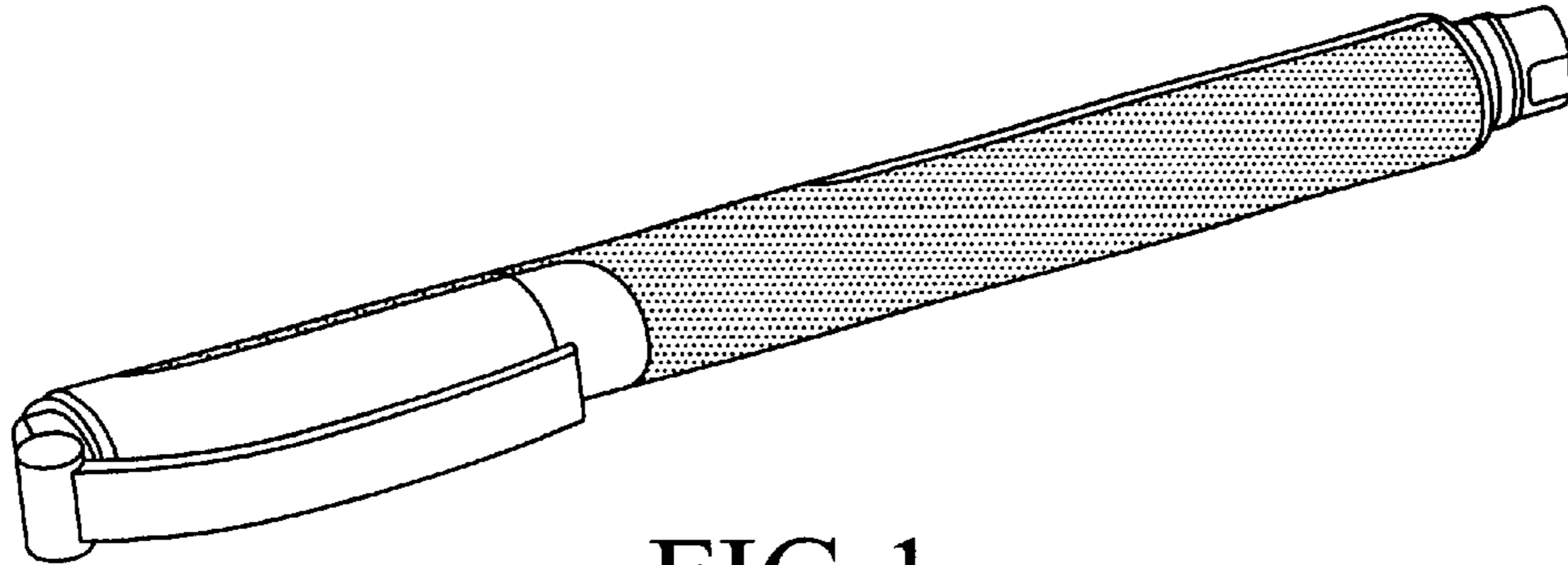


FIG. 1

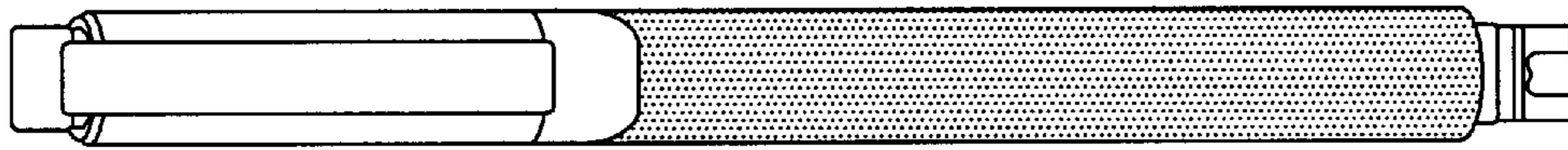


FIG. 2

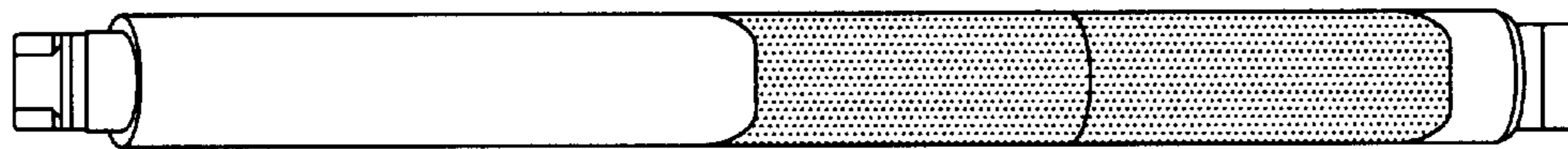


FIG. 3

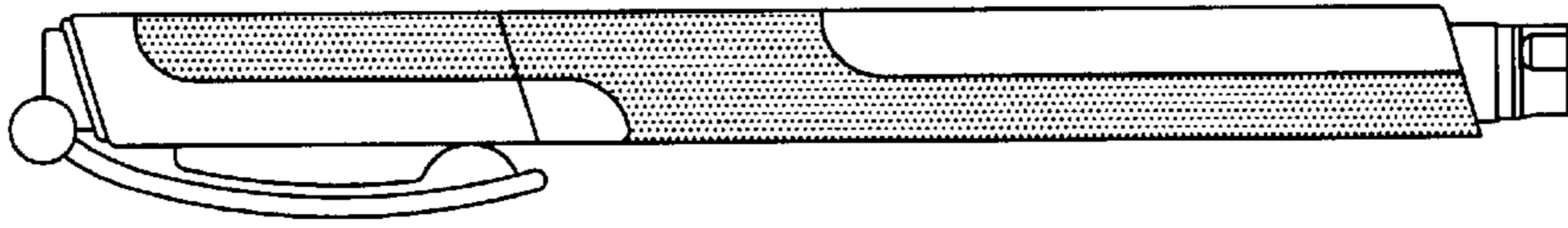


FIG. 4

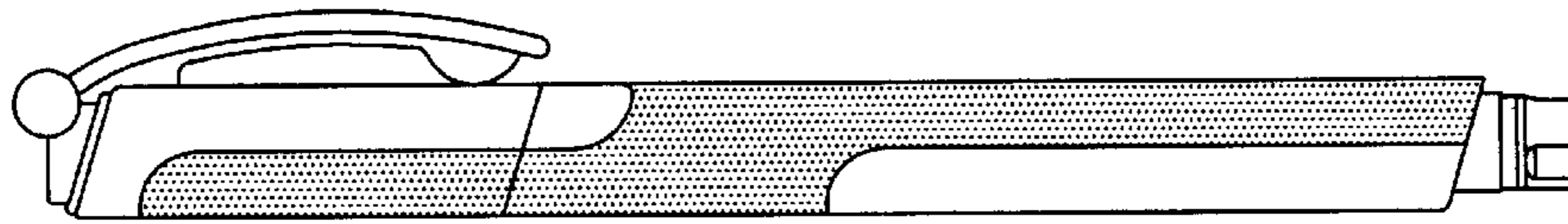


FIG. 5

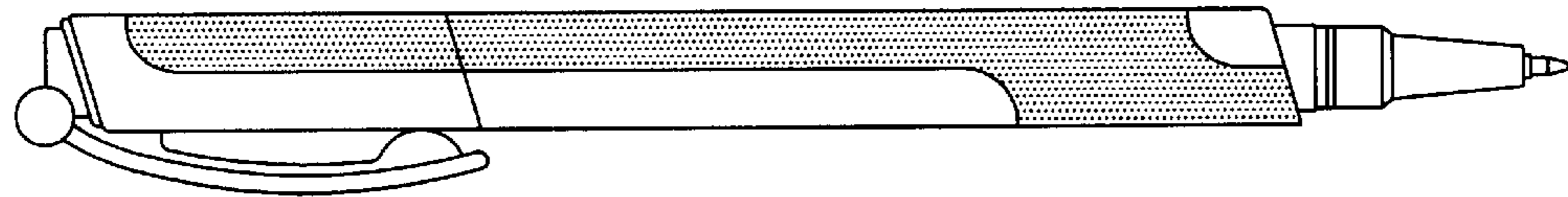


FIG. 6

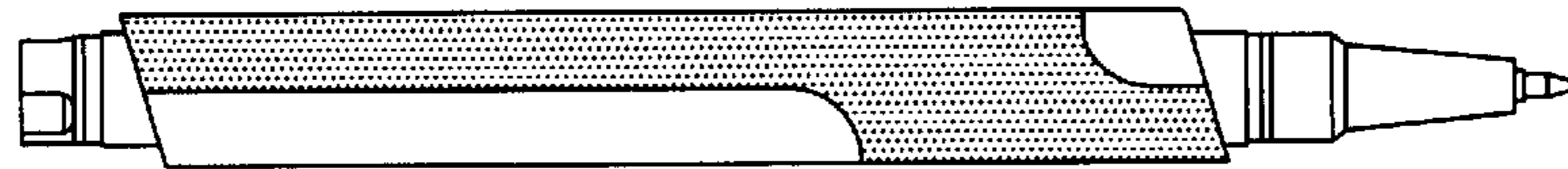


FIG. 7

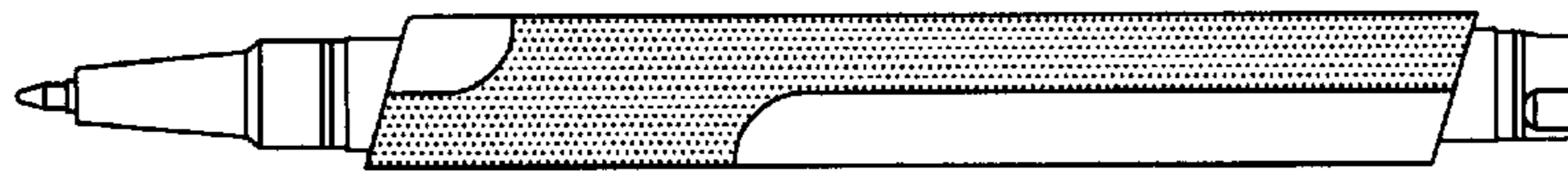


FIG. 8

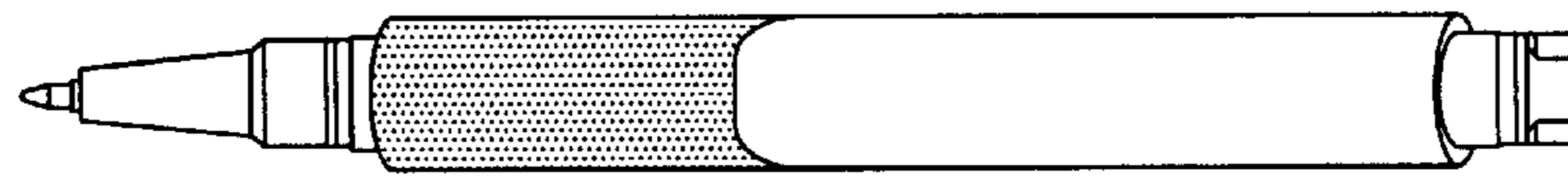


FIG. 9

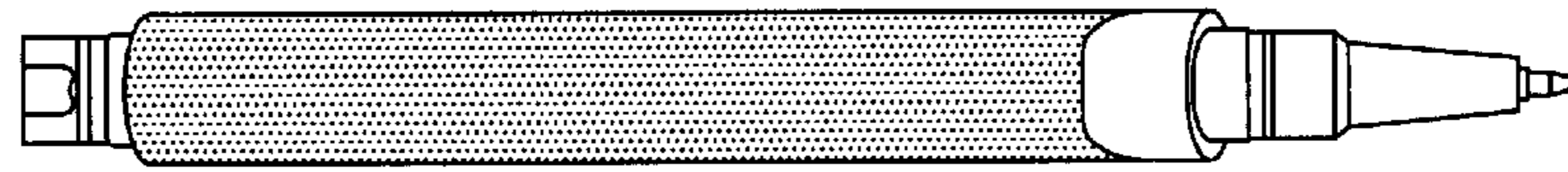


FIG. 10

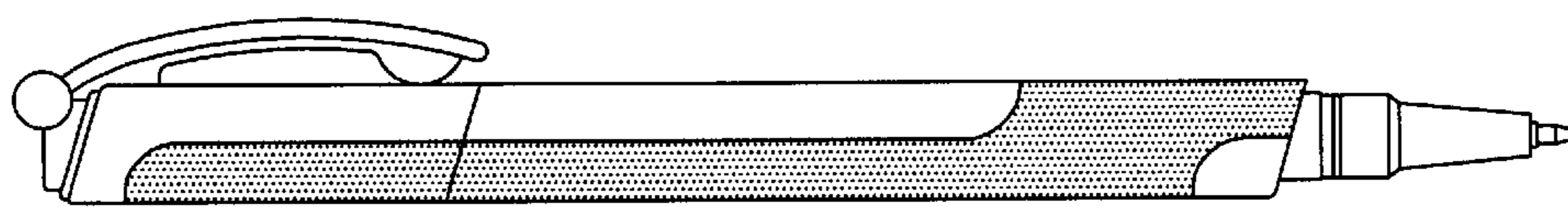


FIG. 11

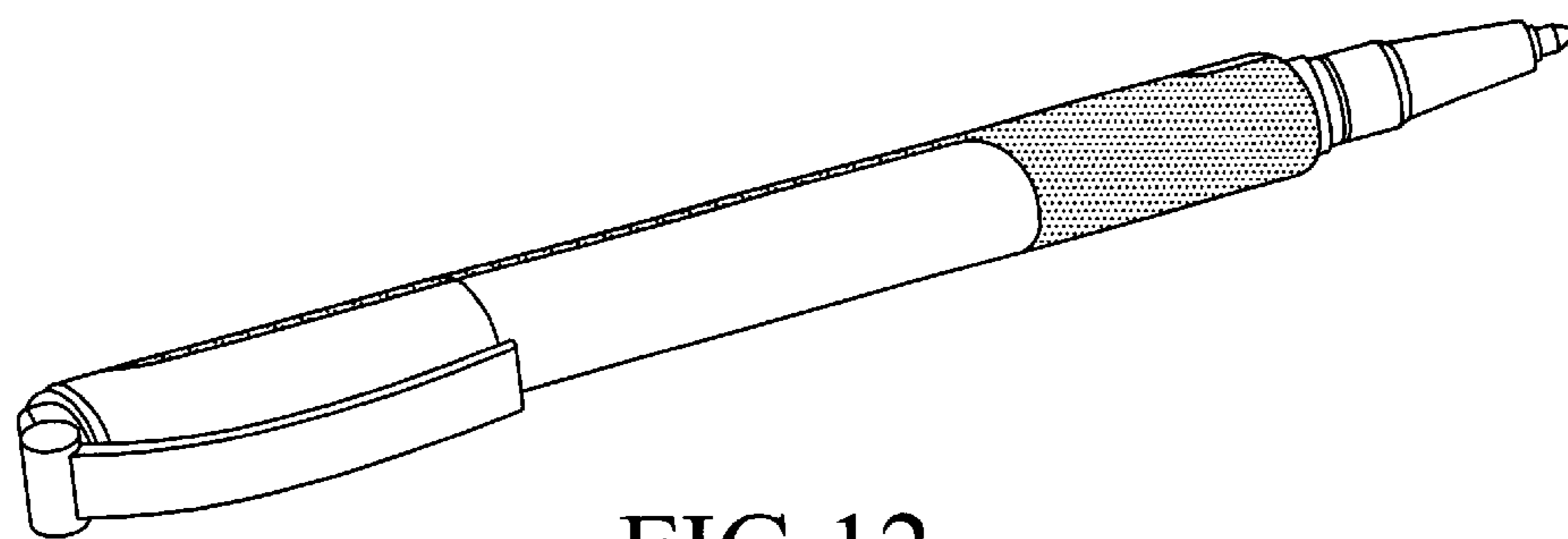


FIG. 12