



US00D541338S

(12) **United States Design Patent** (10) **Patent No.:** **US D541,338 S**
Wang (45) **Date of Patent:** **** Apr. 24, 2007**

(54) **PEN**
(76) Inventor: **Li Bi Wang**, P.O. Box 63-99, Taichung (TW)
(**) Term: **14 Years**
(21) Appl. No.: **29/208,542**
(22) Filed: **Jun. 30, 2004**
(51) **LOC (8) Cl.** **19-06**
(52) **U.S. Cl.** **D19/43**
(58) **Field of Classification Search** D19/36, D19/43, 46, 47, 49, 50, 51, 56; 250/227.13; 345/179; 401/52
See application file for complete search history.

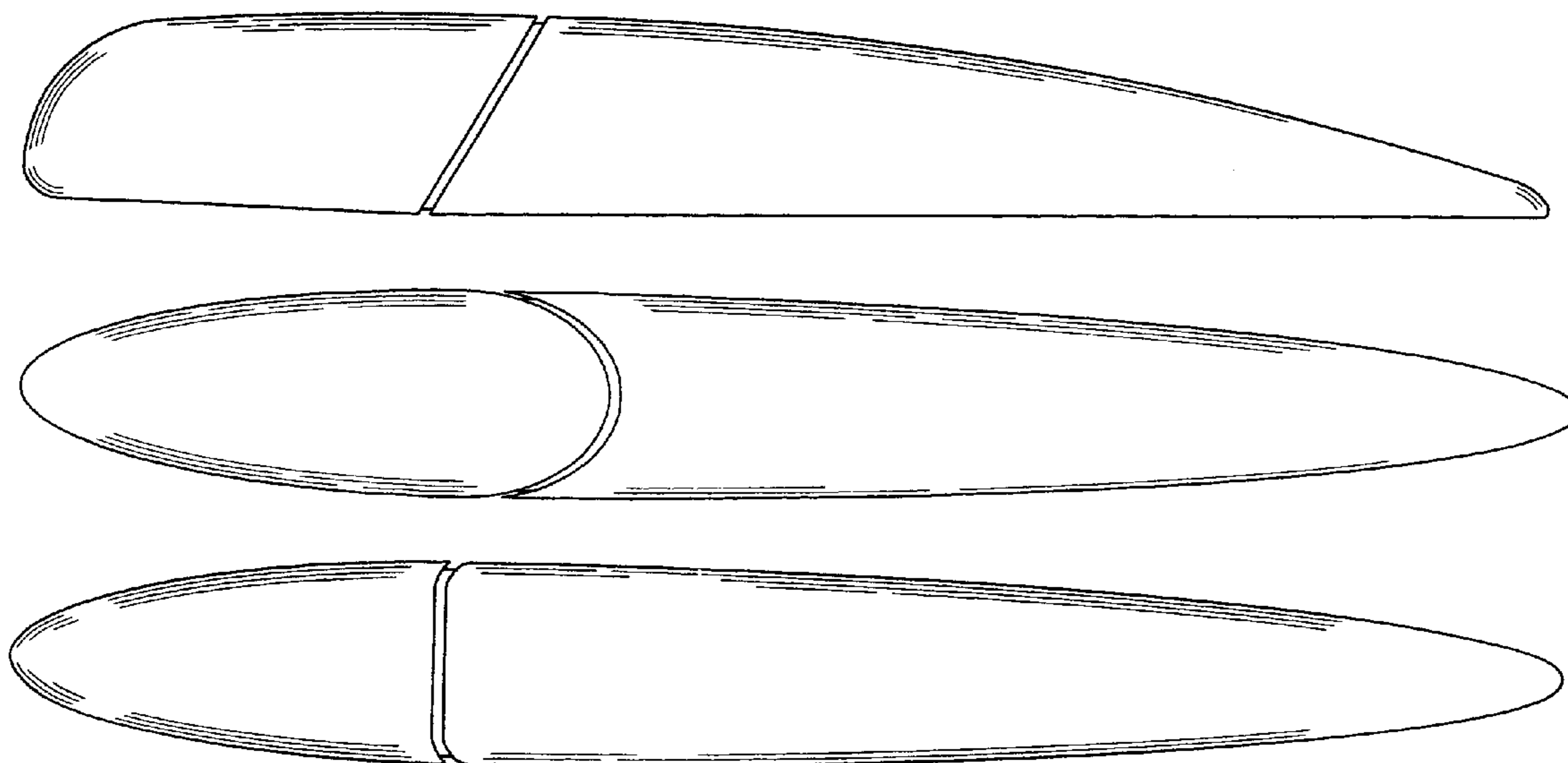
(56) **References Cited**
U.S. PATENT DOCUMENTS
6,174,098 B1 * 1/2001 Yeh 401/52
D439,613 S * 3/2001 Ham D19/43
D441,398 S * 5/2001 Owen et al. D19/49
D453,531 S * 2/2002 Simon D19/47
D453,792 S * 2/2002 Tung D19/43
D456,042 S * 4/2002 Versace D19/50
D465,809 S * 11/2002 Deluca et al. D19/50
D474,808 S * 5/2003 Chen D19/43
D482,392 S * 11/2003 Hui D19/36
2002/0175903 A1 * 11/2002 Fahraeus et al. 345/179

2002/0190966 A1 * 12/2002 Fermgard 345/179
FOREIGN PATENT DOCUMENTS
WO DM/063754 * 4/2003
* cited by examiner
Primary Examiner—Ian Simmons
Assistant Examiner—Carla Jobe Wright
(74) *Attorney, Agent, or Firm*—Alan D. Kamrath; Nikolai & Mersereau, P.A.

(57) **CLAIM**
The ornamental design for a pen, as shown and described.

DESCRIPTION
FIG. 1 is a perspective view of a pen showing my new design;
FIG. 2 is a front elevational view thereof;
FIG. 3 is a rear elevational view thereof;
FIG. 4 is a top plan view thereof;
FIG. 5 is a bottom plan view thereof;
FIG. 6 is a left side elevational view thereof;
FIG. 7 is a right side elevational view thereof; and,
FIG. 8 is a front elevational view thereof, the other pen shown in broken lines is for illustrative purposes only and forms no part of the claimed design.

1 Claim, 2 Drawing Sheets



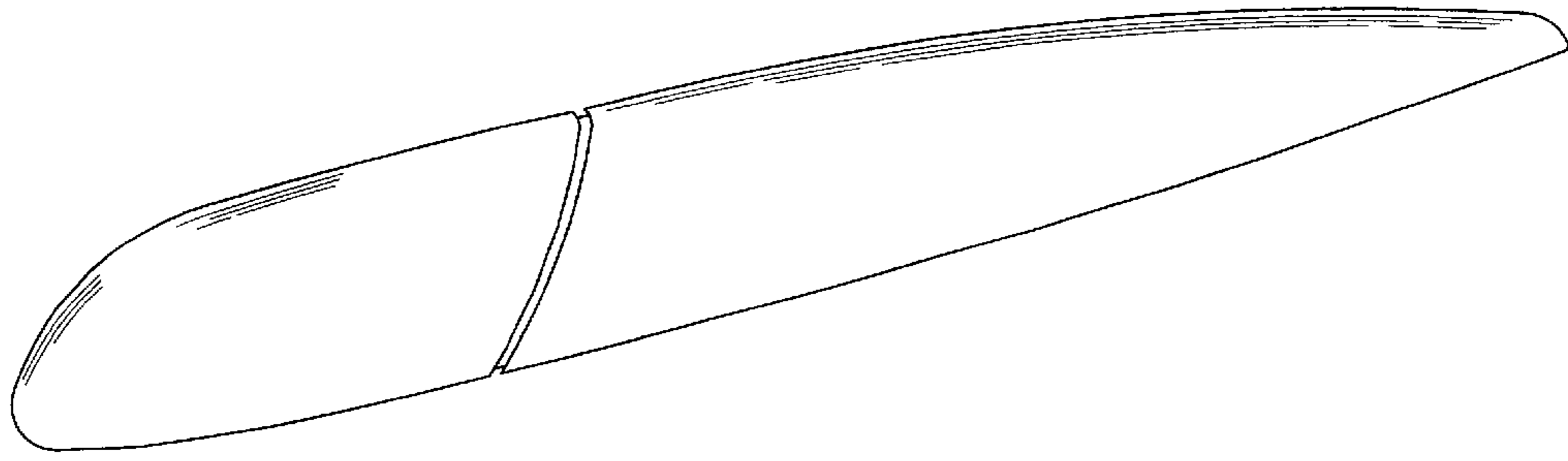


FIG. 1

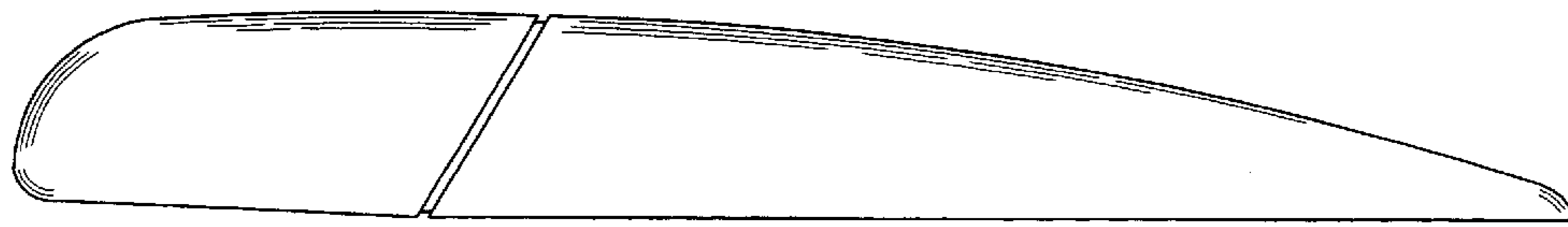


FIG. 2

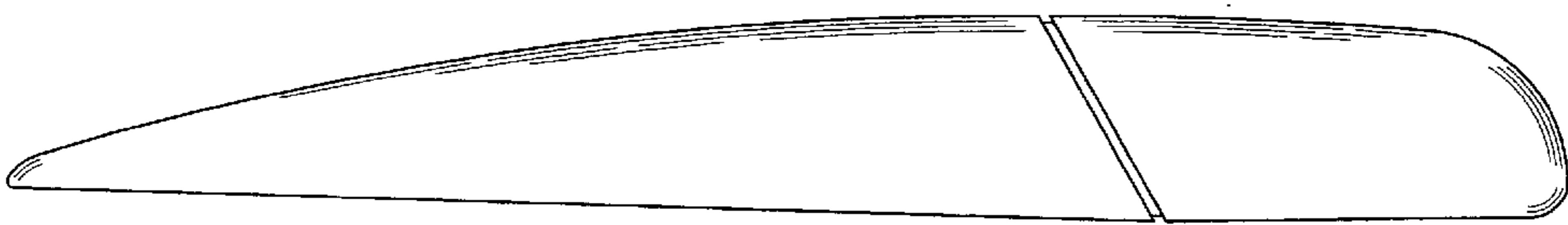


FIG. 3

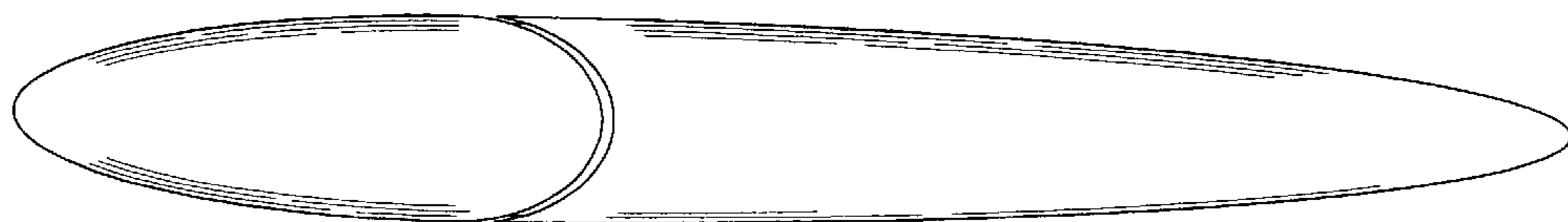


FIG. 4

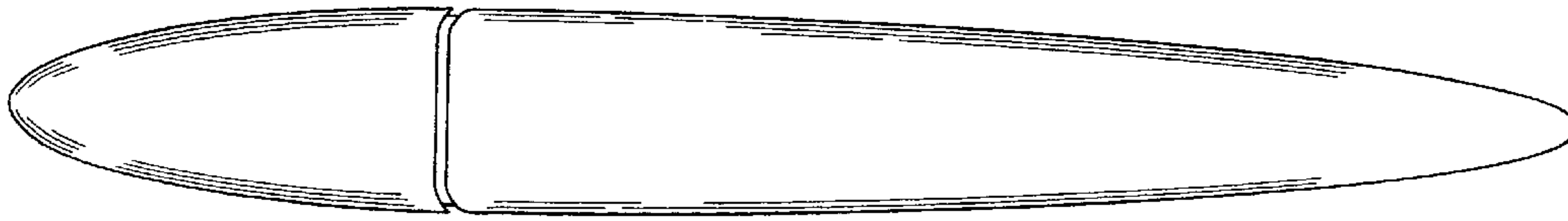


FIG. 5

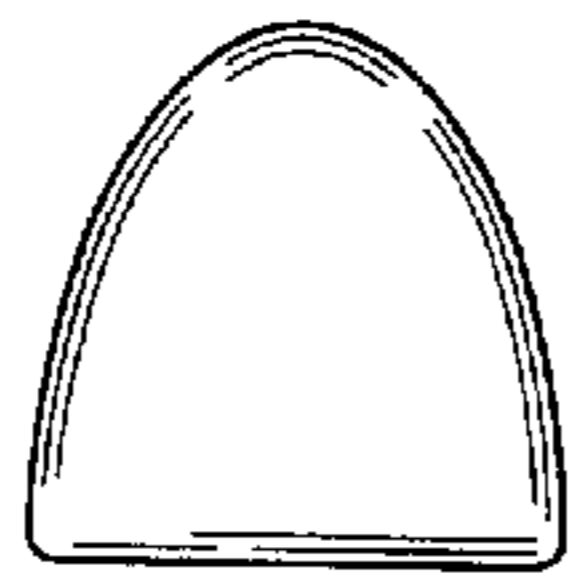


FIG. 6

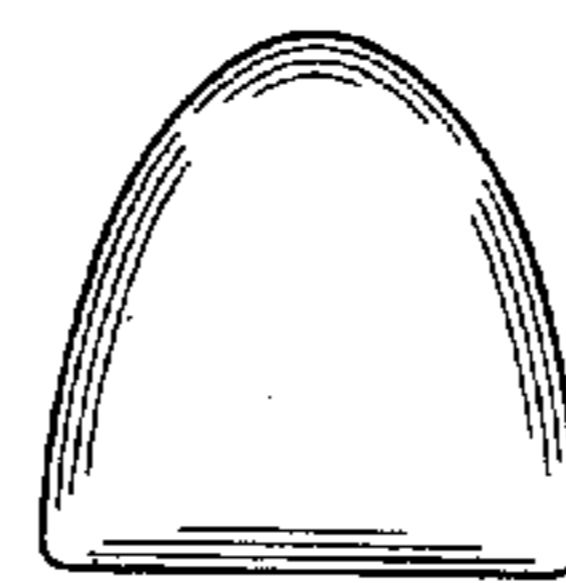


FIG. 7

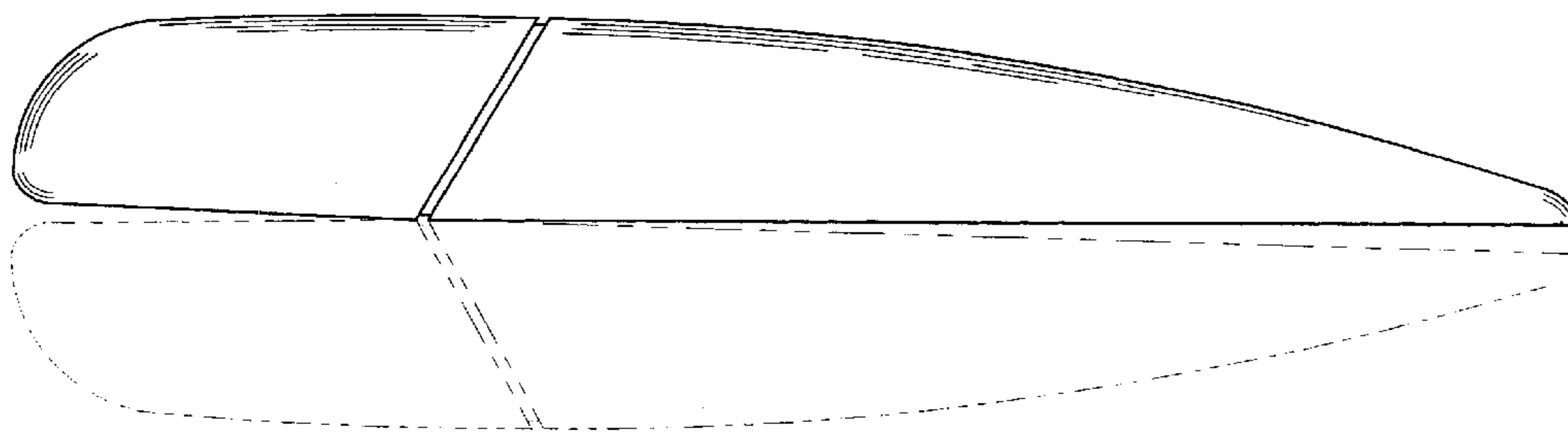


FIG. 8