

US00D541337S

(12) **United States Design Patent**
Hattori

(10) **Patent No.:** **US D541,337 S**

(45) **Date of Patent:** **** Apr. 24, 2007**

(54) **INK CARTRIDGE**

(75) Inventor: **Shingo Hattori**, Tsushima (JP)

(73) Assignee: **Brother Industries, Ltd.**, Nagoya (JP)

(**) Term: **14 Years**

(21) Appl. No.: **29/263,340**

(22) Filed: **Jul. 21, 2006**

(30) **Foreign Application Priority Data**

Feb. 28, 2006 (JP) 2006-004992

(51) **LOC (8) Cl.** **18-02**

(52) **U.S. Cl.** **D18/56; 347/86**

(58) **Field of Classification Search** D18/40,
D18/43, 56; D14/481; 347/20, 29, 33, 49-50,
347/86-87

See application file for complete search history.

(56) **References Cited**

U.S. PATENT DOCUMENTS

D338,235 S * 8/1993 Komada et al. D18/56

D363,507 S * 10/1995 Kashino et al. D18/56

D390,259 S * 2/1998 Inoue et al. D18/56

D418,156 S * 12/1999 Maeda D18/43

6,273,560 B1 * 8/2001 Keefe et al. 347/86

D448,798 S * 10/2001 Shimizu et al. D18/56

D449,643 S * 10/2001 Hatasa et al. D18/56

D450,083 S * 11/2001 Bishop et al. D18/56

D490,102 S * 5/2004 Umeyama et al. D18/56

D491,221 S * 6/2004 Umeyama et al. D18/56

D530,365 S * 10/2006 Wakayama et al. D18/56

* cited by examiner

Primary Examiner—Cathy Anne MacCormac

(74) *Attorney, Agent, or Firm*—Oliff & Berridge, PLC

(57) **CLAIM**

The ornamental design for an ink cartridge, as shown and described.

DESCRIPTION

FIG. 1 is a perspective view of an ink cartridge;

FIG. 2 is a front view thereof;

FIG. 3 is a top view thereof;

FIG. 4 is a right-side view thereof;

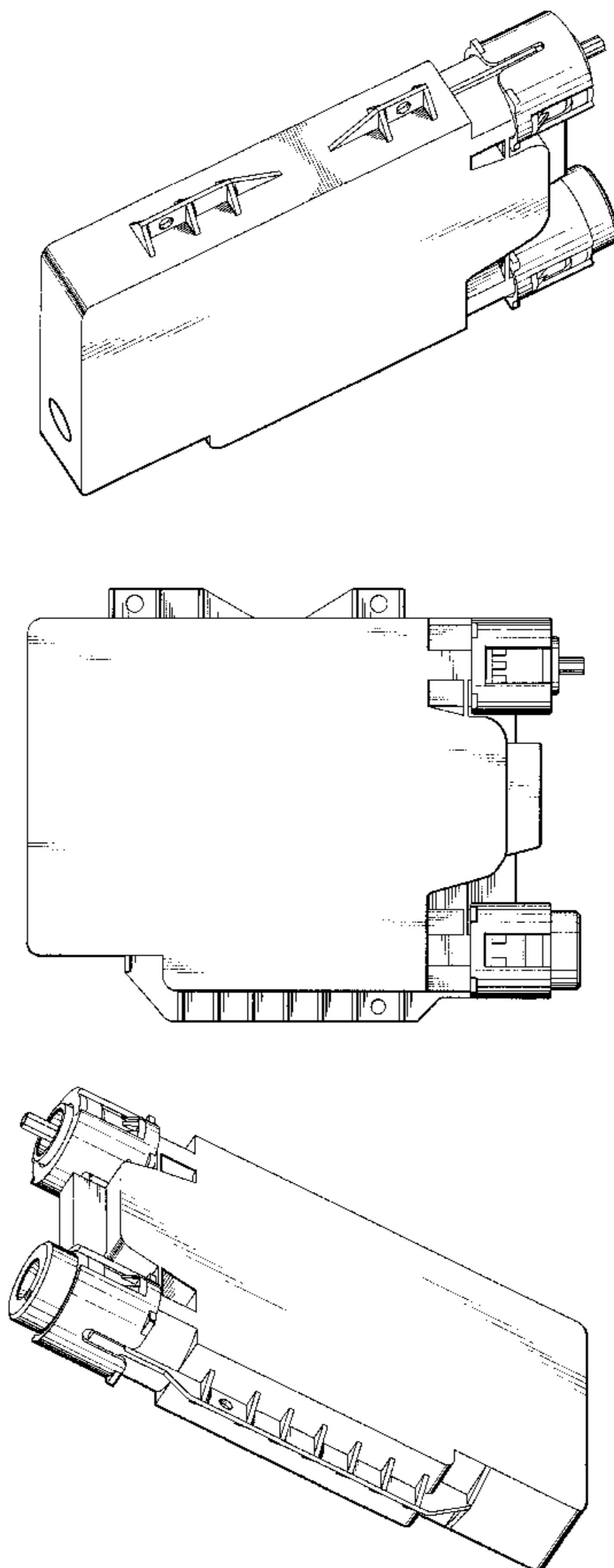
FIG. 5 is a left-side view thereof;

FIG. 6 is a rear view thereof;

FIG. 7 is a bottom view thereof; and,

FIG. 8 is a rear perspective view thereof.

1 Claim, 5 Drawing Sheets



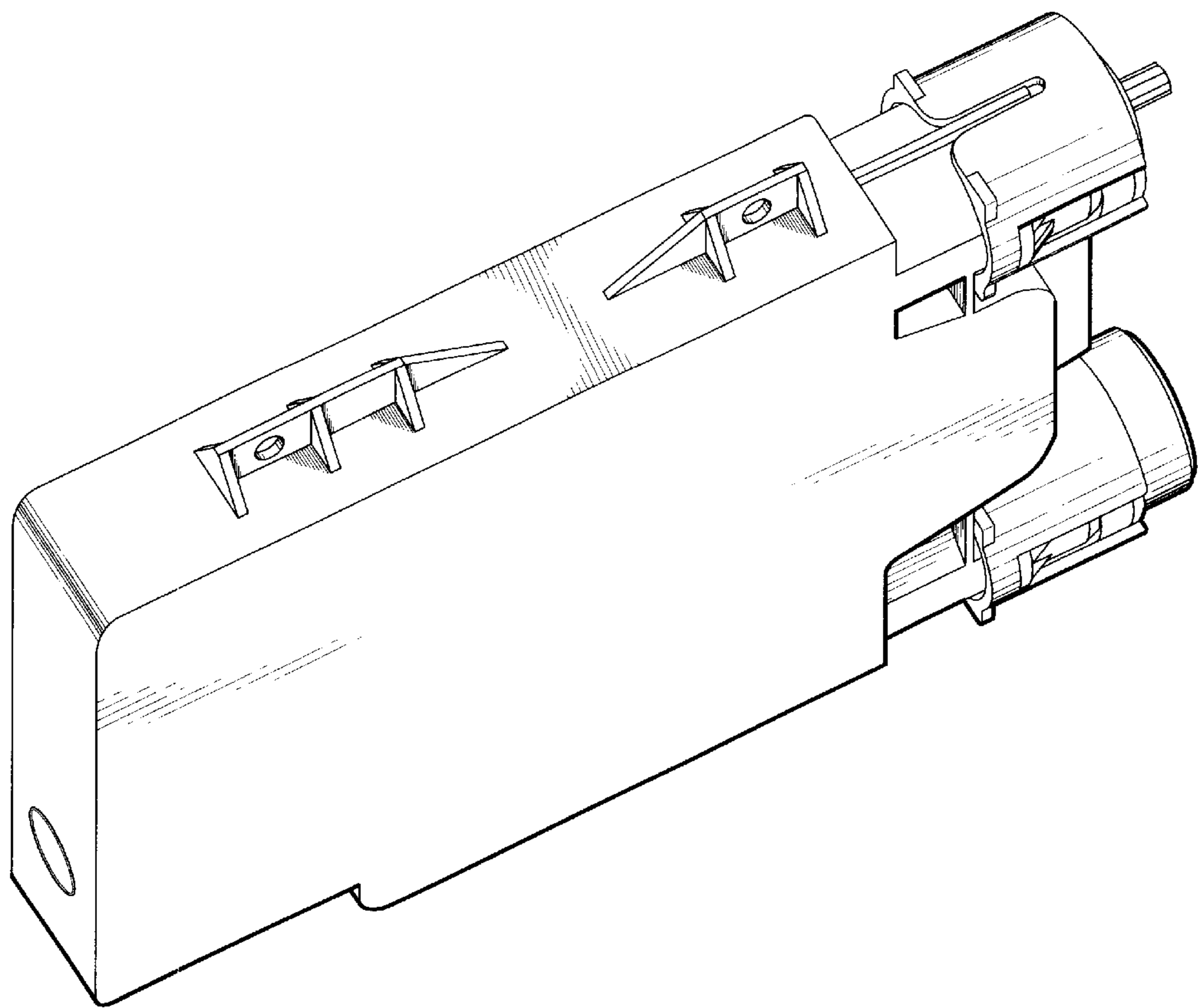


FIG. 1

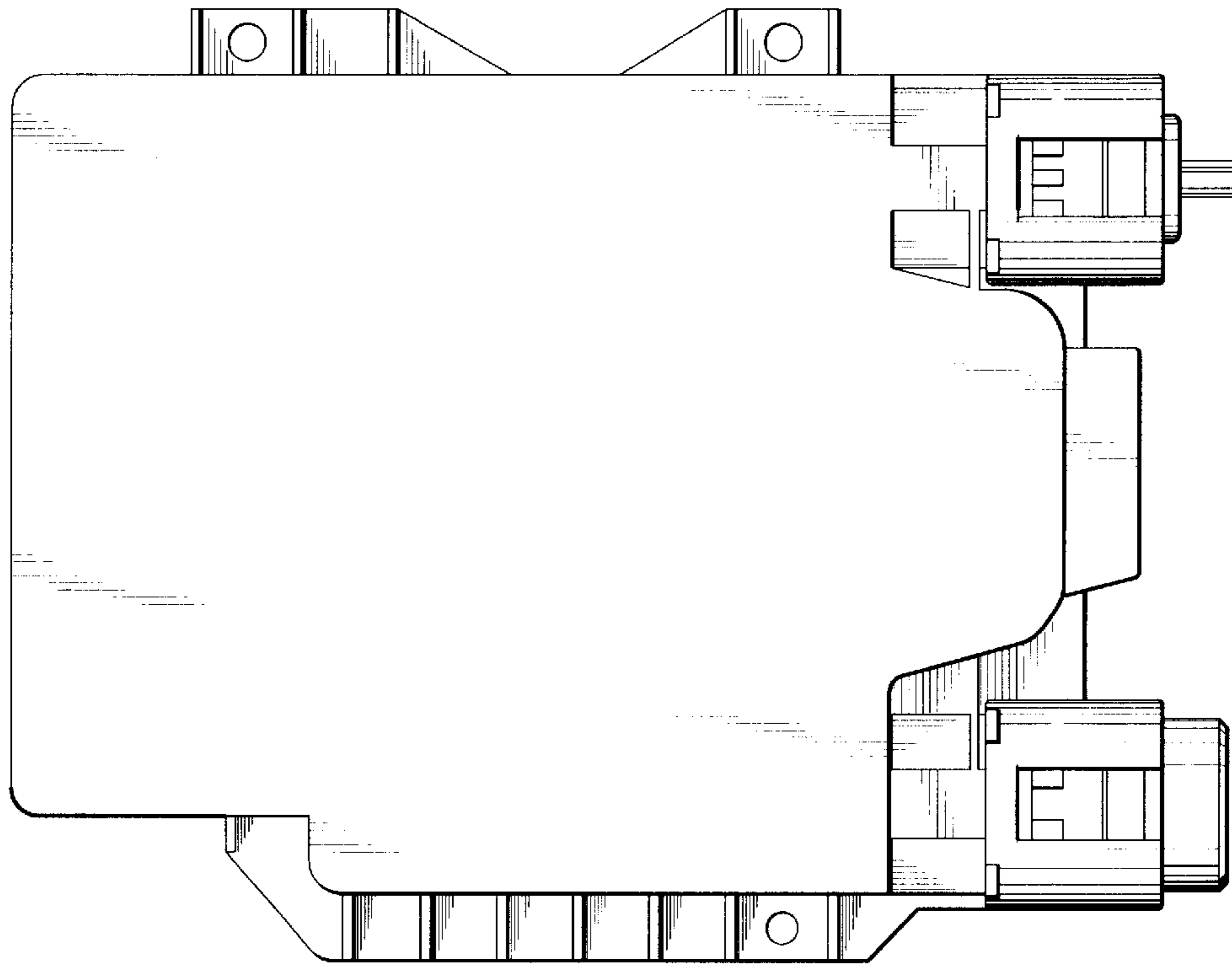


FIG. 2

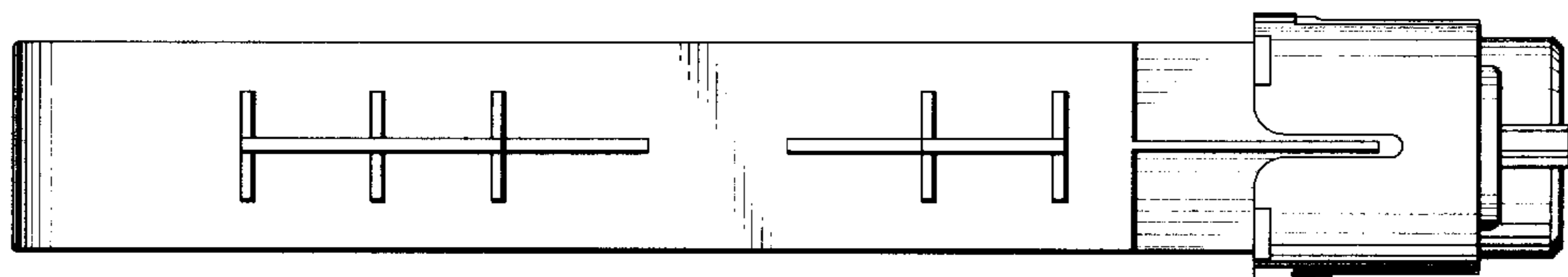


FIG. 3

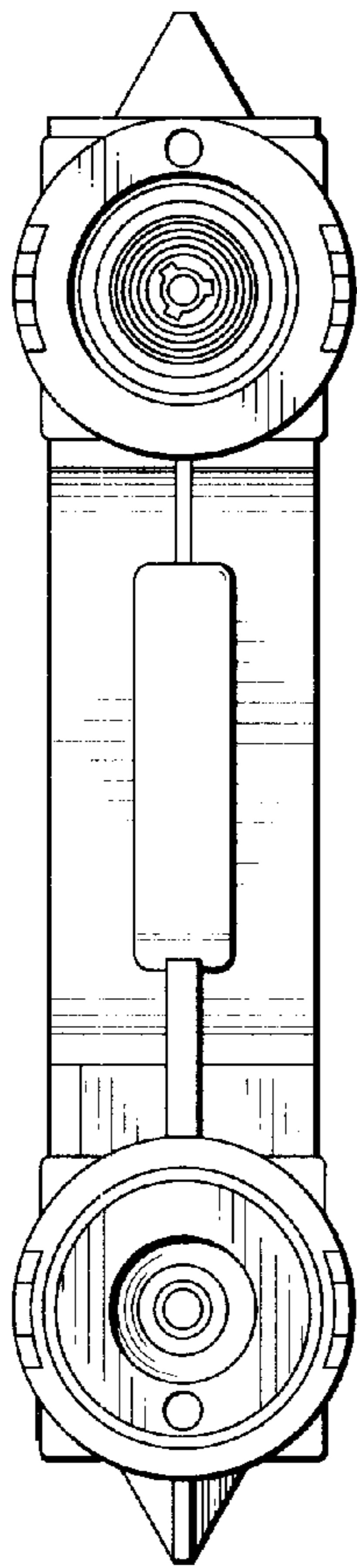


FIG. 4

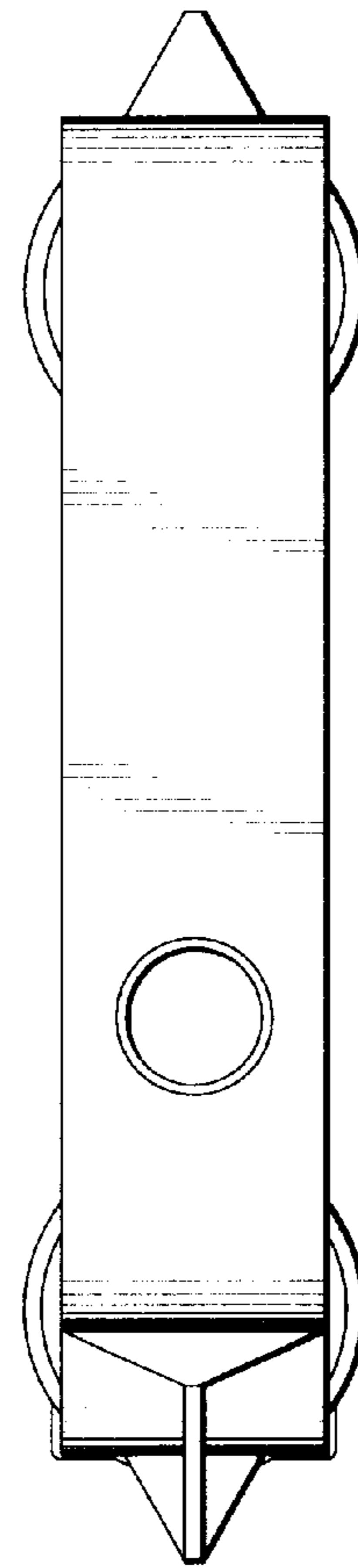


FIG. 5

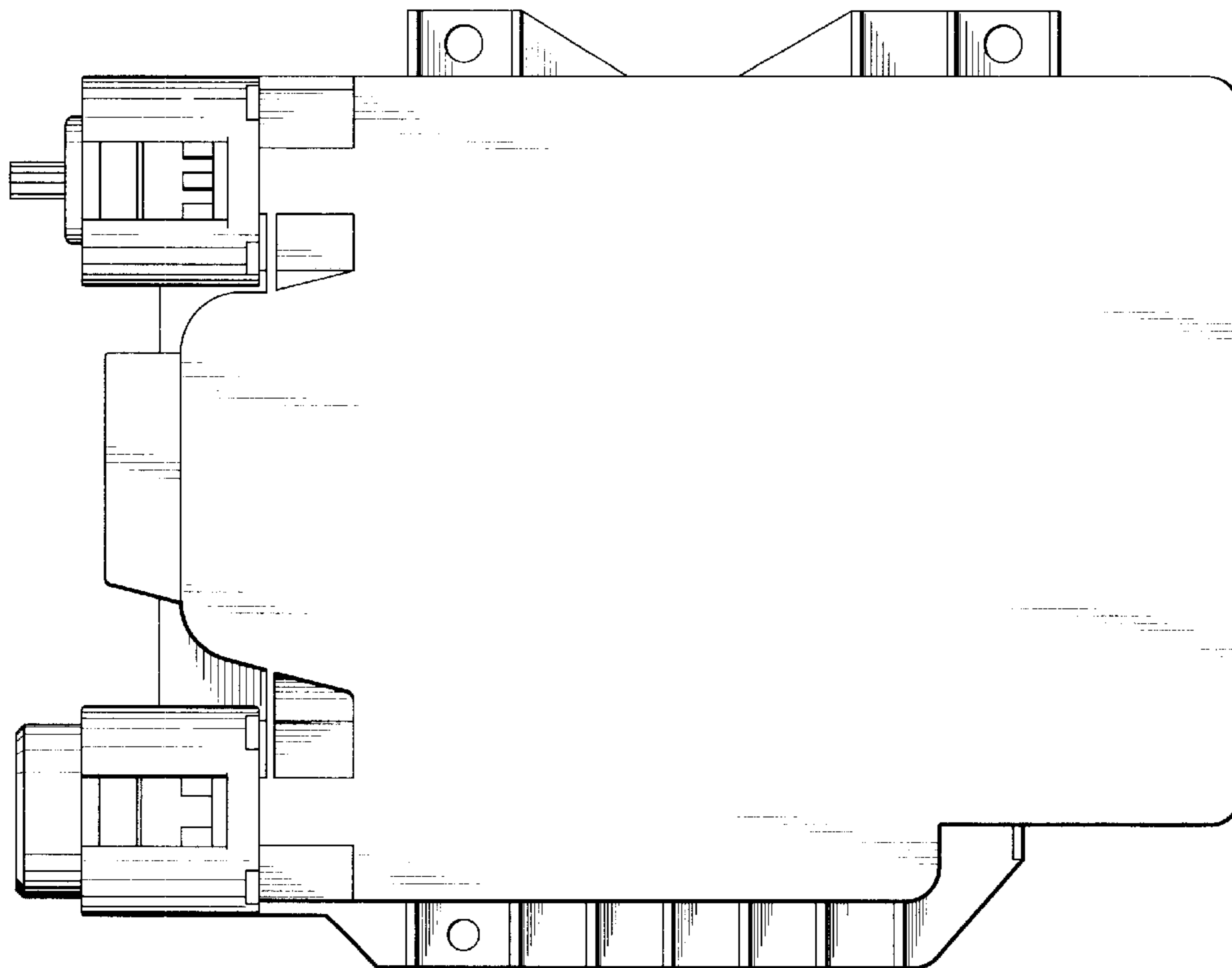


FIG. 6

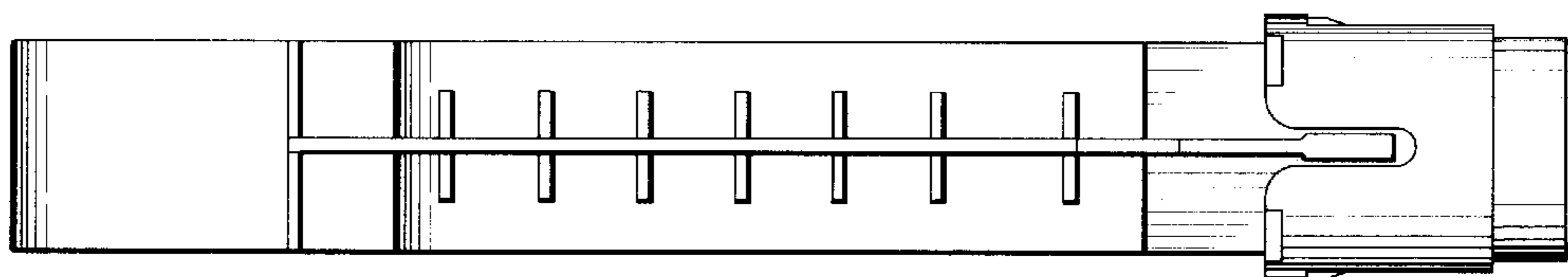


FIG. 7

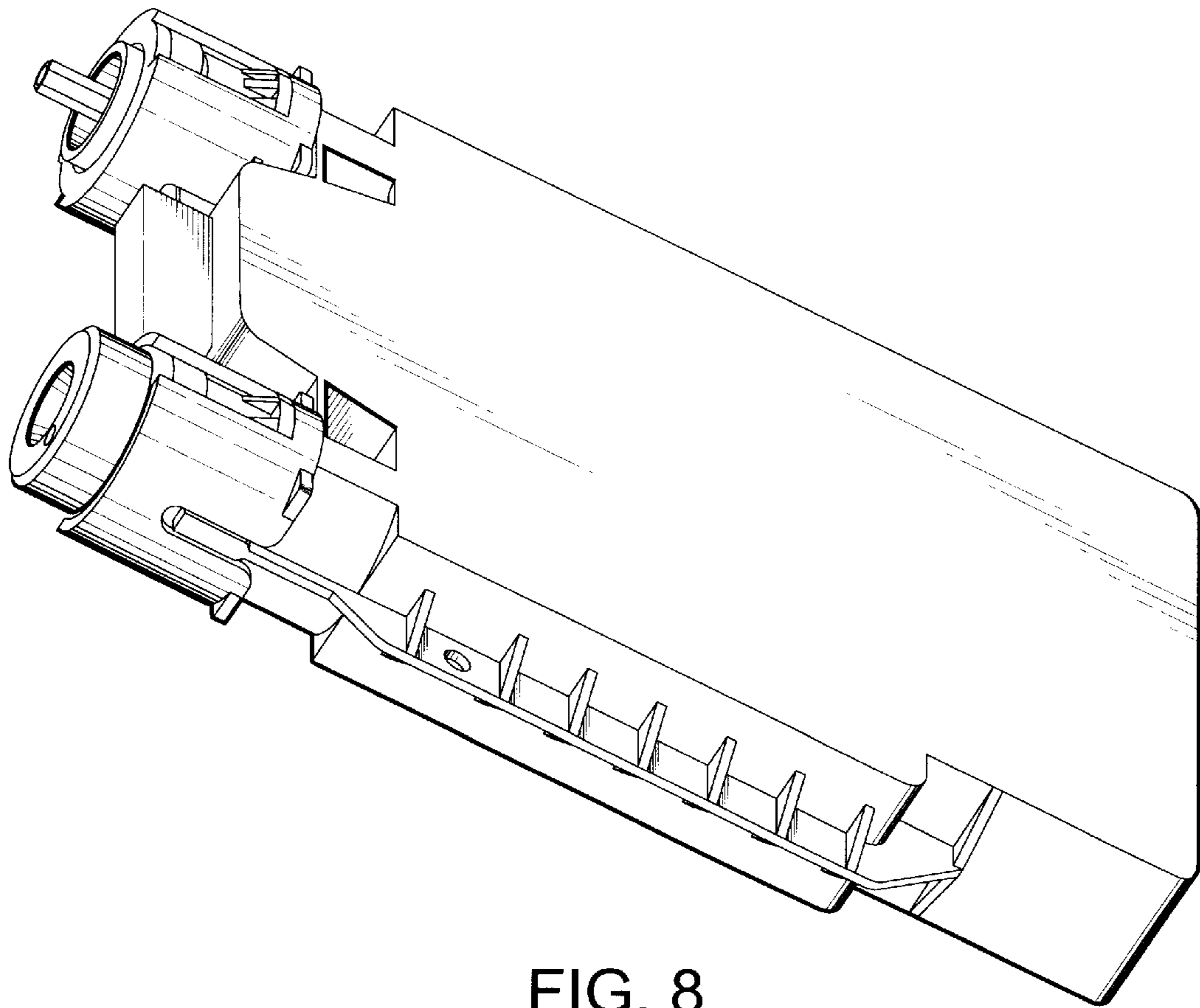


FIG. 8