



US00D541336S

(12) **United States Design Patent**  
**Hattori**

(10) **Patent No.:** **US D541,336 S**

(45) **Date of Patent:** **\*\* Apr. 24, 2007**

(54) **INK CARTRIDGE**

(75) Inventor: **Shingo Hattori**, Tsushima (JP)

(73) Assignee: **Brother Industries, Ltd.**, Nagoya (JP)

(\*\*) Term: **14 Years**

(21) Appl. No.: **29/263,334**

(22) Filed: **Jul. 21, 2006**

(30) **Foreign Application Priority Data**

Feb. 28, 2006 (JP) ..... 2006-004996

(51) **LOC (8) Cl.** ..... **18-02**

(52) **U.S. Cl.** ..... **D18/56; 347/86**

(58) **Field of Classification Search** ..... D18/12,  
D18/40, 43, 56; D14/481; 347/20, 29, 33,  
347/49-50, 86-87

See application file for complete search history.

(56) **References Cited**

**U.S. PATENT DOCUMENTS**

5,040,002	A	*	8/1991	Pollacek et al.	.....	347/87
5,278,584	A	*	1/1994	Keefe et al.	.....	347/87
5,450,112	A	*	9/1995	Scheffelin	.....	347/87
D373,381	S	*	9/1996	Altendorf et al.	.....	D18/56
D387,379	S	*	12/1997	Sasaki	.....	D18/56

D390,259	S	*	2/1998	Inoue et al.	.....	D18/56
D392,671	S	*	3/1998	Sasaki	.....	D18/56
D418,156	S	*	12/1999	Maeda	.....	D18/43
D477,021	S	*	7/2003	Yu et al.	.....	D18/56
6,719,418	B2	*	4/2004	Chou et al.	.....	347/87
7,011,397	B2	*	3/2006	Miyazawa et al.	.....	347/86
2005/0225612	A1	*	10/2005	Lee et al.	.....	347/86

\* cited by examiner

*Primary Examiner*—Cathy Anne MacCormac

(74) *Attorney, Agent, or Firm*—Oliff & Berridge, PLC

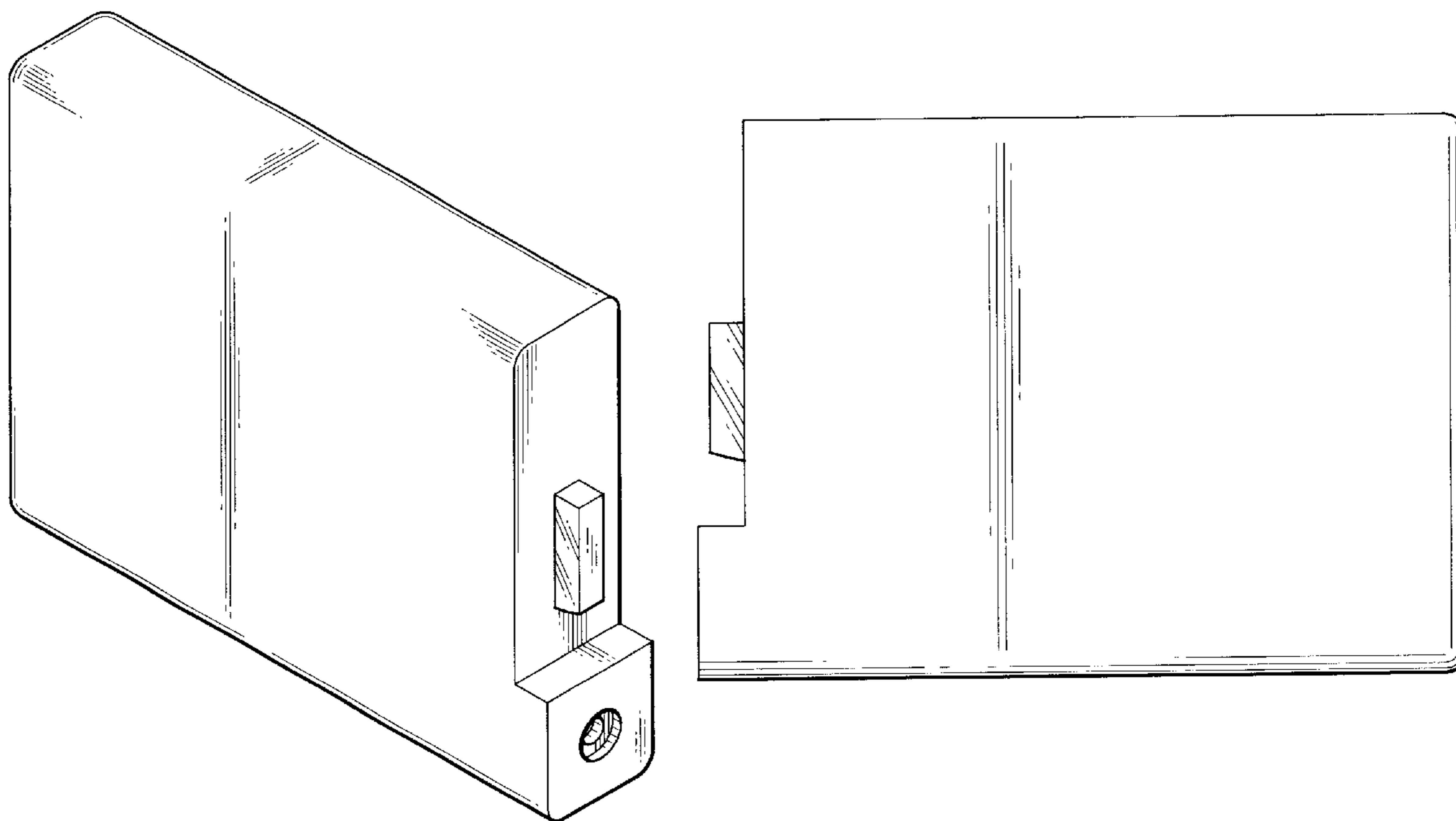
(57) **CLAIM**

The ornamental design for an ink cartridge, as shown and described.

**DESCRIPTION**

FIG. 1 is a perspective view of an ink cartridge;  
FIG. 2 is a front view thereof;  
FIG. 3 is a top view thereof;  
FIG. 4 is a right-side view thereof;  
FIG. 5 is a left-side view thereof;  
FIG. 6 is a rear view thereof; and,  
FIG. 7 is a bottom view thereof.  
The broken lines are for illustrative purposes only and form no part of the claimed design.

**1 Claim, 3 Drawing Sheets**



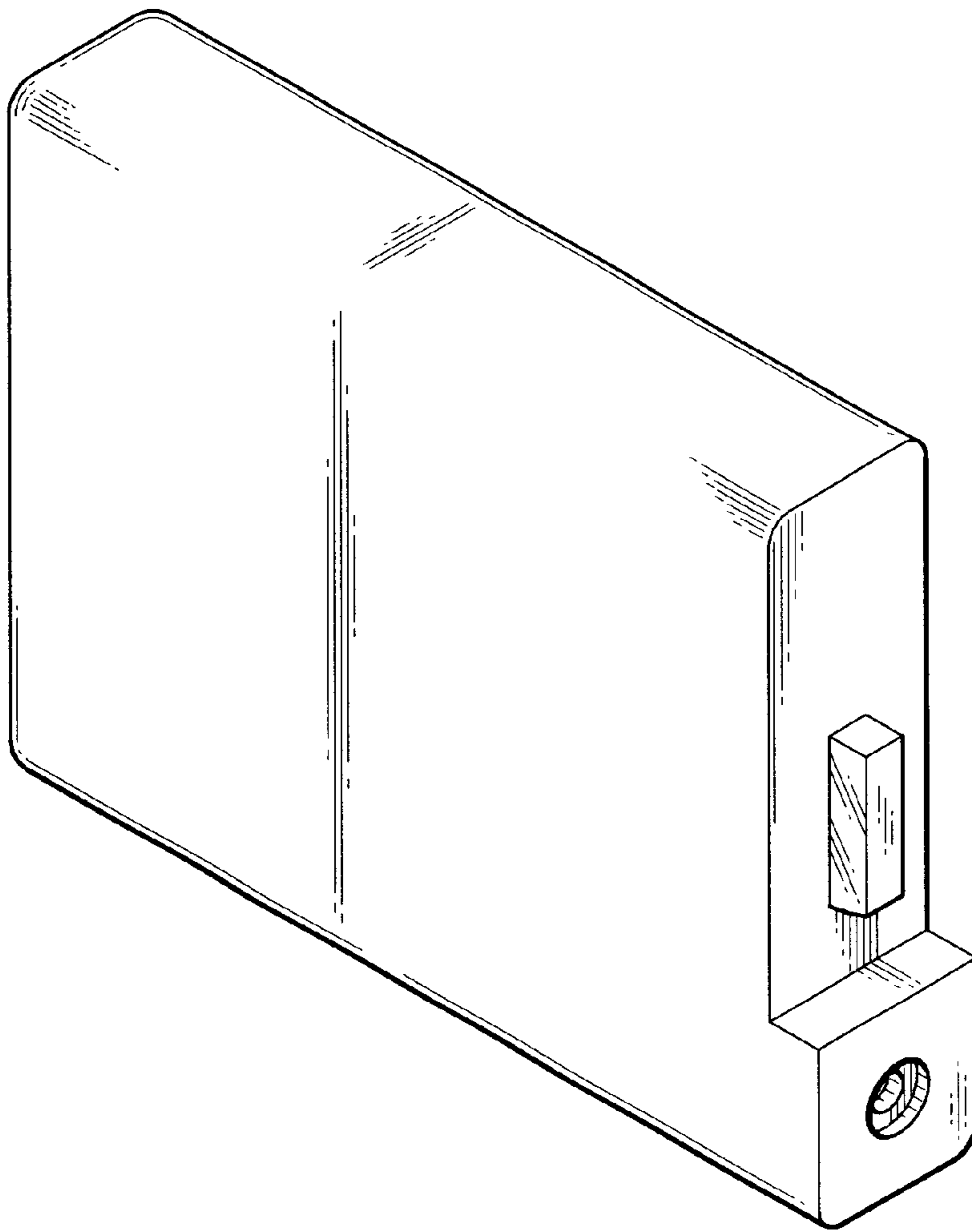


FIG. 1

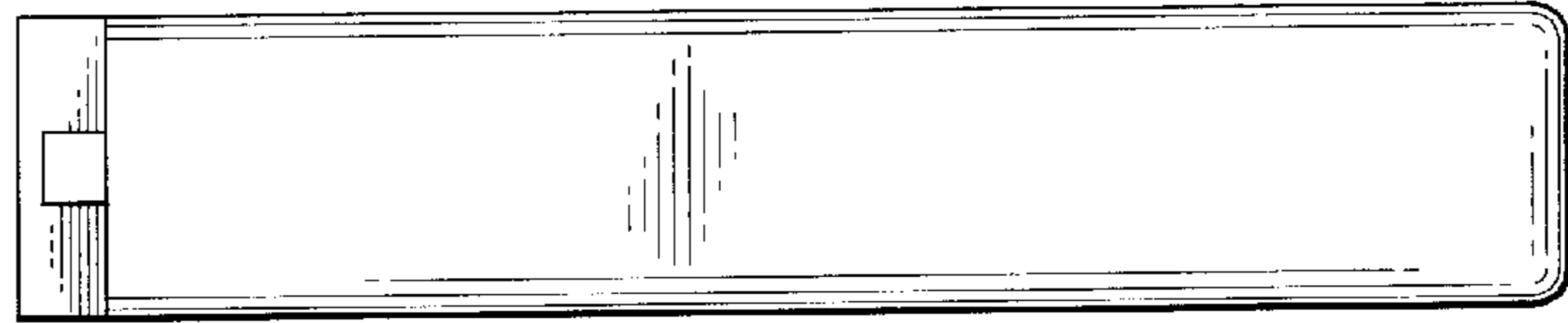


FIG. 3

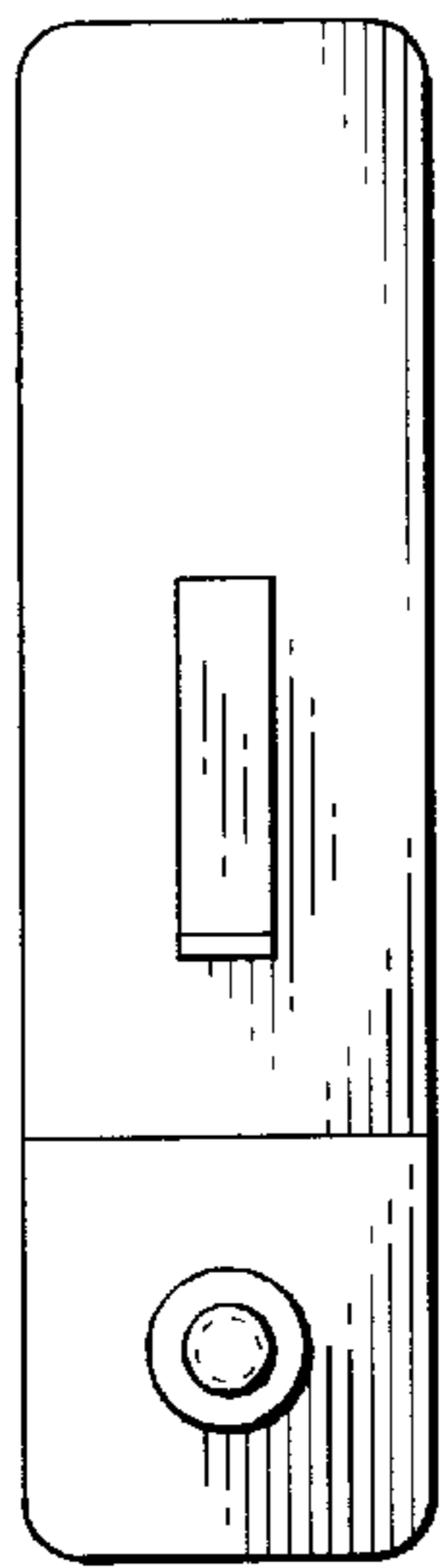


FIG. 2

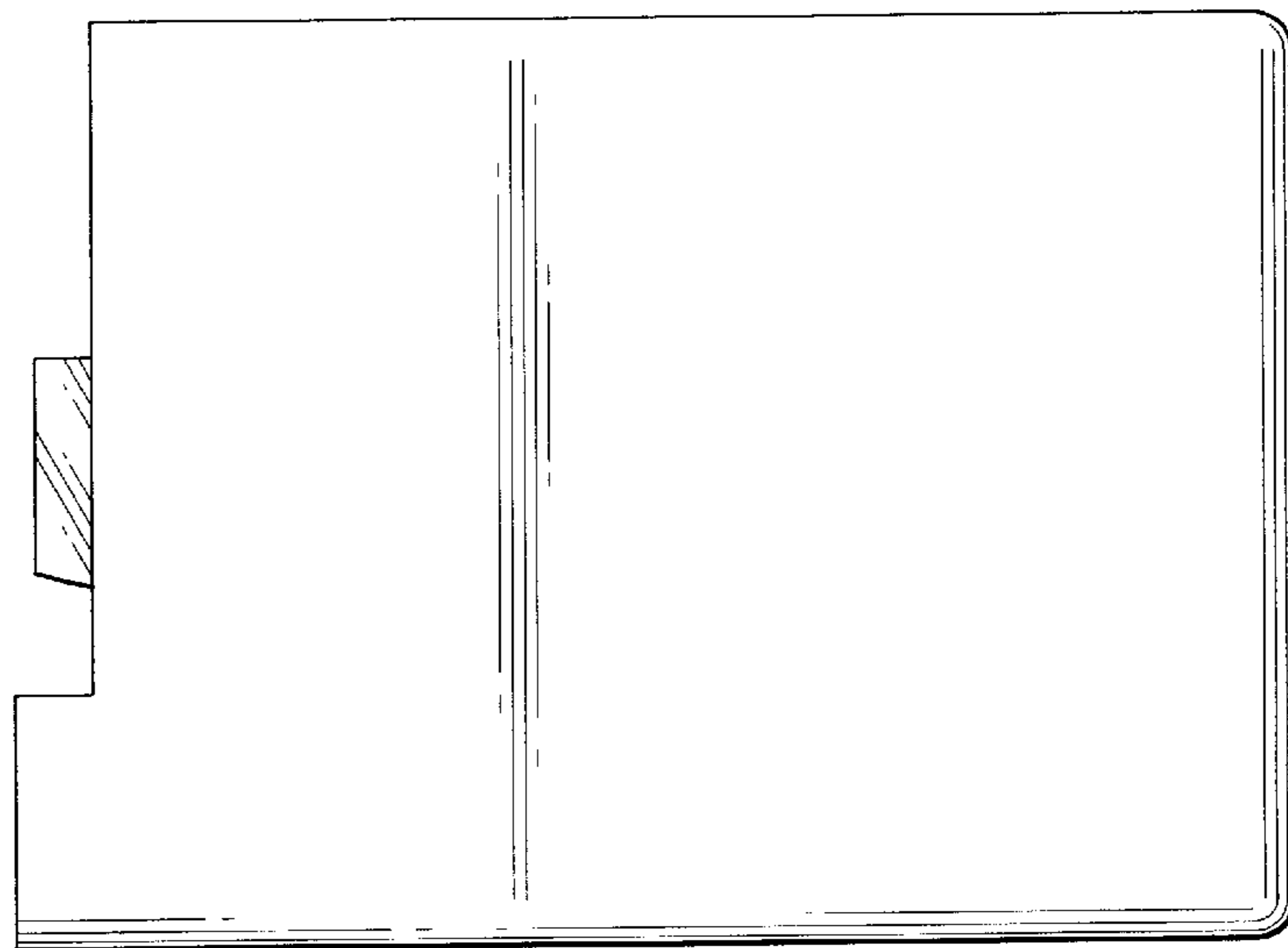


FIG. 4

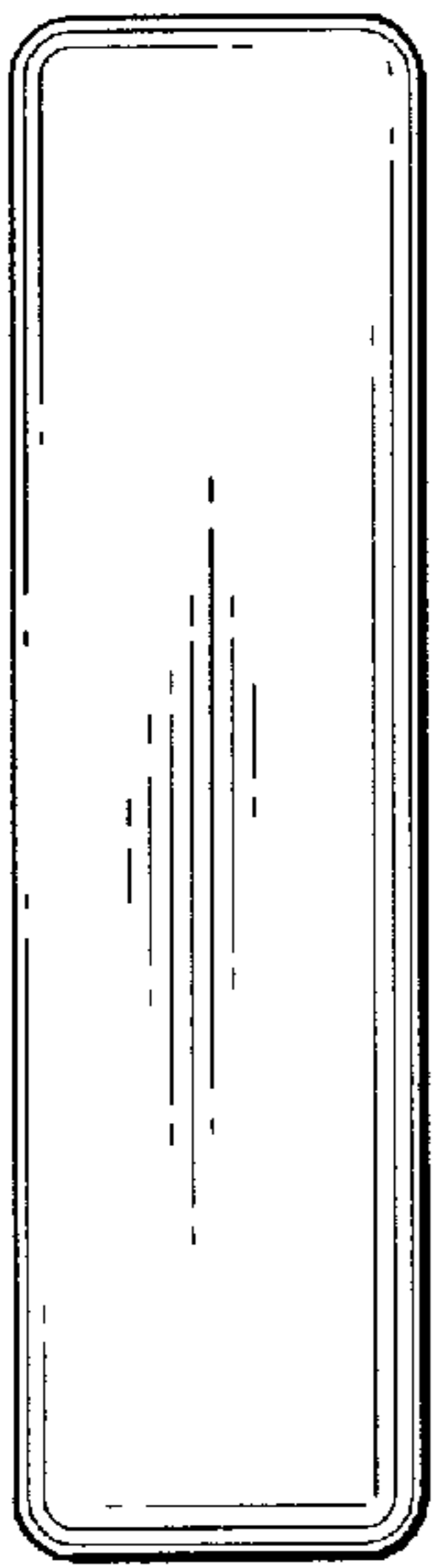


FIG. 6

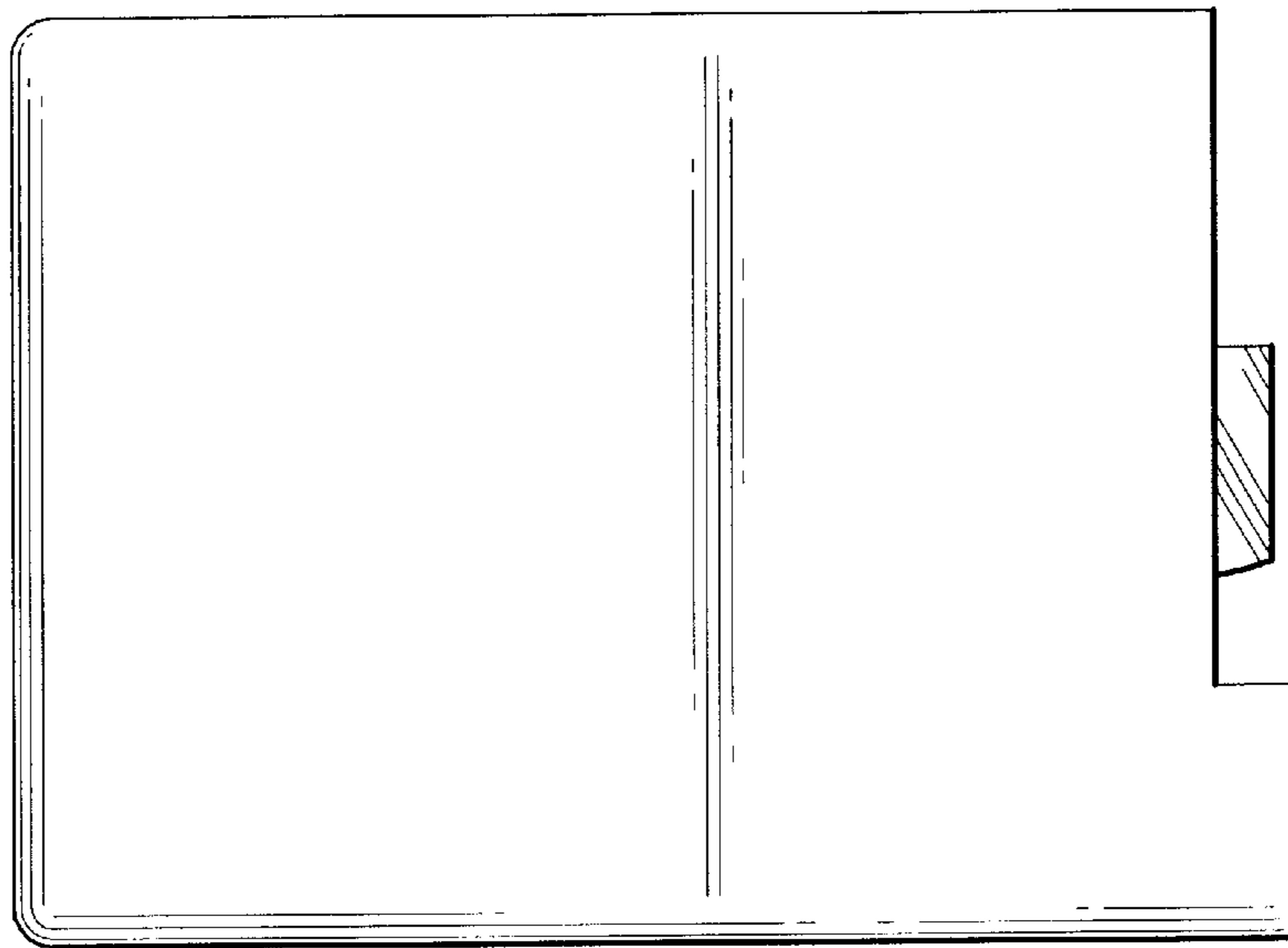


FIG. 5



FIG. 7