



US00D541335S

(12) **United States Design Patent** (10) **Patent No.:** **US D541,335 S**
Katsuyama et al. (45) **Date of Patent:** **** Apr. 24, 2007**

(54) **PRINTER INK CARTRIDGE**
(75) Inventors: **Goro Katsuyama**, Kanagawa (JP);
Osamu Miki, Kanagawa (JP); **Kanae Amemiya**, Tokyo (JP); **Masaaki Kabumoto**, Chiba (JP)
(73) Assignee: **Ricoh Company, Ltd.**, Tokyo (JP)
(**) Term: **14 Years**

(21) Appl. No.: **29/262,309**
(22) Filed: **Jun. 30, 2006**

Related U.S. Application Data

(63) Continuation of application No. 29/204,764, filed on May 5, 2004, now abandoned.

(30) **Foreign Application Priority Data**

Nov. 13, 2003 (JP) 2003-033946

(51) **LOC (8) Cl.** **18-02**
(52) **U.S. Cl.** **D18/56; 346/86**
(58) **Field of Classification Search** D18/12,
D18/40, 43, 56; D14/481, 483; 347/29, 33,
347/49-50, 86-87, 178, 214; 399/25, 110
See application file for complete search history.

(56) **References Cited**

U.S. PATENT DOCUMENTS

D281,333 S 11/1985 Nibley et al.
D431,259 S 9/2000 Muranaka
D437,611 S 2/2001 Gassett et al.
6,254,227 B1 7/2001 Merz et al.
D448,797 S 10/2001 Carrese et al.
6,347,865 B1 2/2002 Matsumoto et al.
D462,384 S * 9/2002 Sasaki et al. D18/56
D466,151 S 11/2002 Shinada et al.
D477,020 S 7/2003 Seino
6,585,360 B1 7/2003 Dietl

6,595,711 B2 7/2003 Hill
D478,617 S 8/2003 Kinoshita et al.
D488,504 S * 4/2004 Yamada et al. D18/56
D493,819 S 8/2004 Katsuyama
D494,616 S 8/2004 Katsuyama et al.
D494,617 S 8/2004 Katsuyama
D497,383 S 10/2004 Katsuyama et al.
D497,635 S 10/2004 Katsuyama
D500,787 S * 1/2005 Yamada et al. D18/56
D501,504 S * 2/2005 Nakazawa et al. D18/56
D518,516 S 4/2006 Katsuyama
2004/0160481 A1 8/2004 Miyazawa et al.
2004/0162043 A1 8/2004 Sakai et al.
2004/0165045 A1 8/2004 Sakai et al.
2004/0169708 A1 9/2004 Ichihashi et al.
2004/0174418 A1 9/2004 Toba et al.
2005/0157109 A1 7/2005 Muranaka et al.
2005/0158110 A1 7/2005 Silverbrook et al.

FOREIGN PATENT DOCUMENTS

JP 1185385 9/2003

* cited by examiner

Primary Examiner—Cathy Anne MacCormac
(74) *Attorney, Agent, or Firm*—Dickstein Shapiro LLP

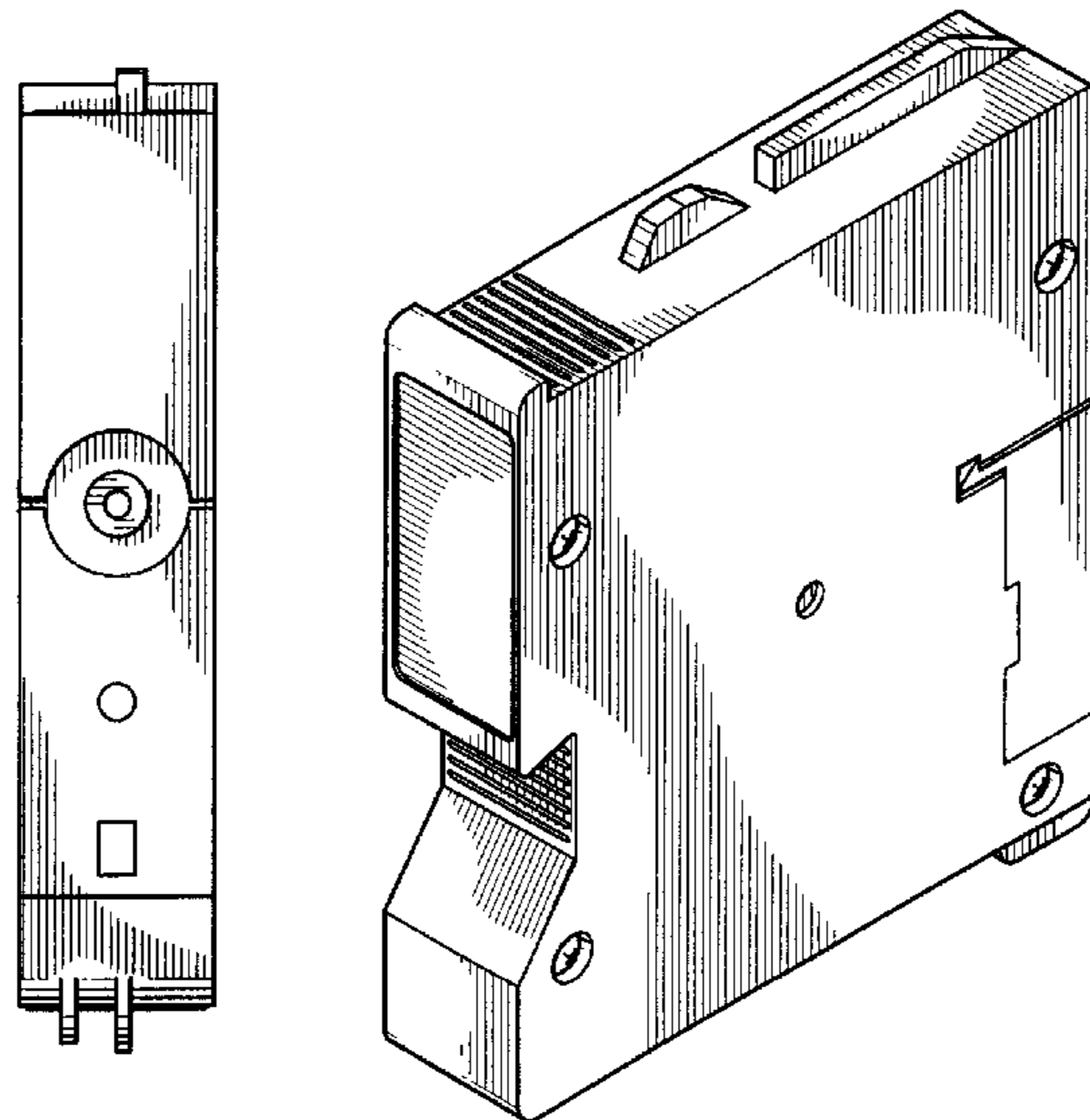
(57) **CLAIM**

The ornamental design for a printer ink cartridge, as shown and described.

DESCRIPTION

FIG. 1 is a front elevation of a printer ink cartridge according to the present invention;
FIG. 2 is a rear elevation thereof;
FIG. 3 is a top plan view thereof;
FIG. 4 is a bottom plan view thereof;
FIG. 5 is a right side elevation view thereof;
FIG. 6 is a left side elevation view thereof; and,
FIG. 7 is a top, front and right side perspective view thereof.

1 Claim, 4 Drawing Sheets



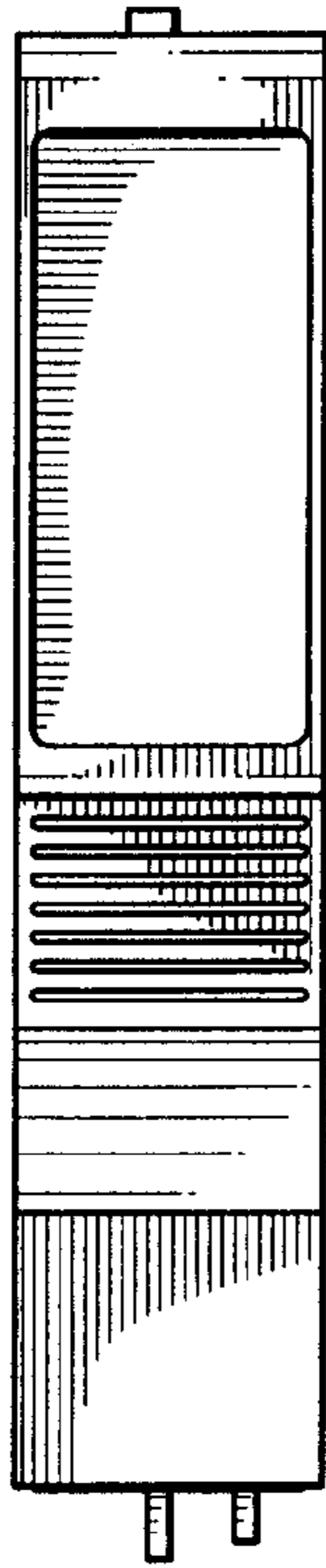


FIG. 1

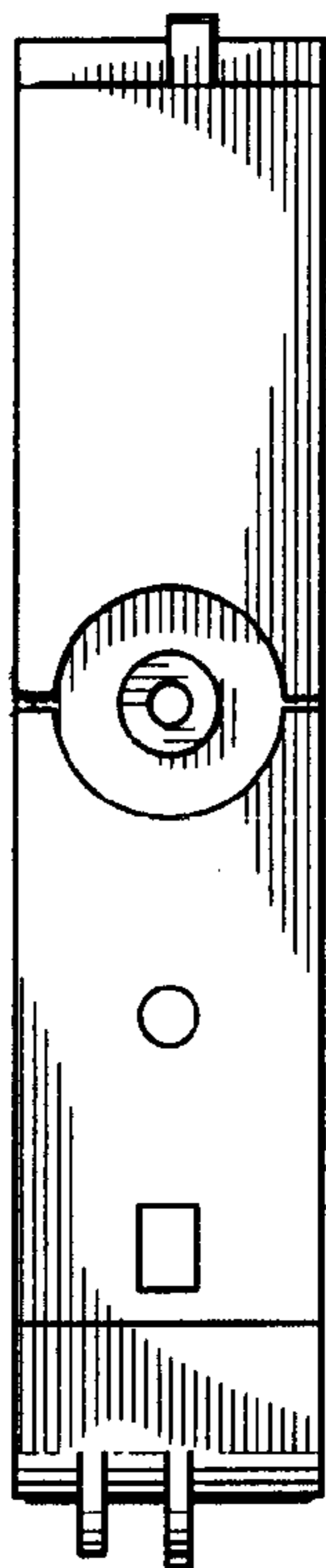


FIG. 2

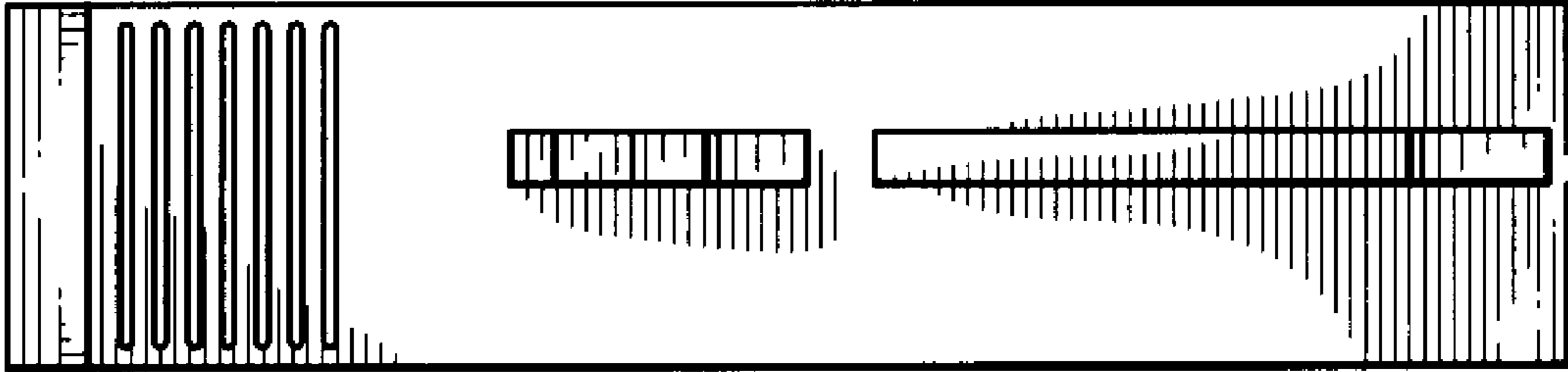


FIG. 3

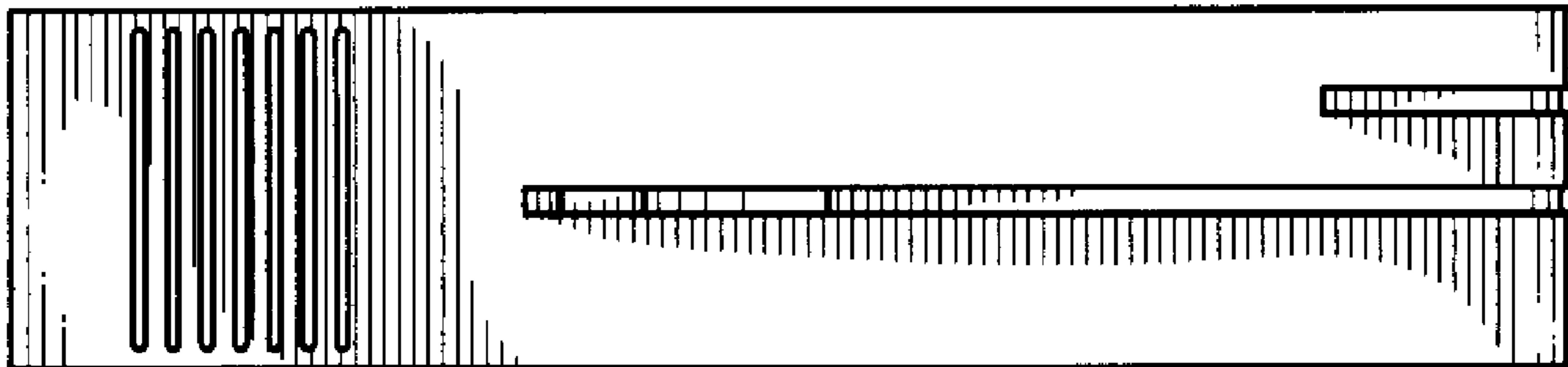


FIG. 4

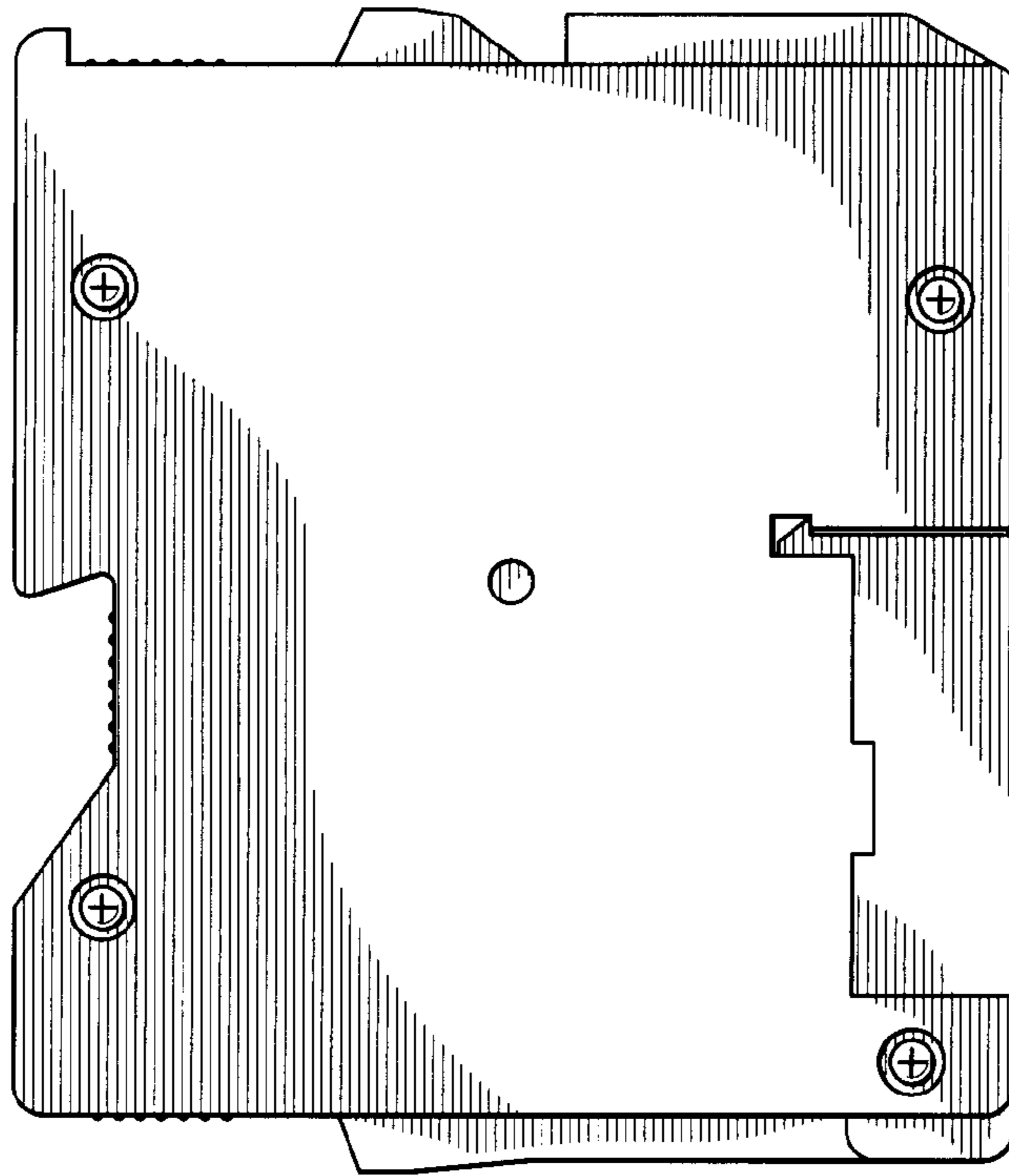


FIG. 5

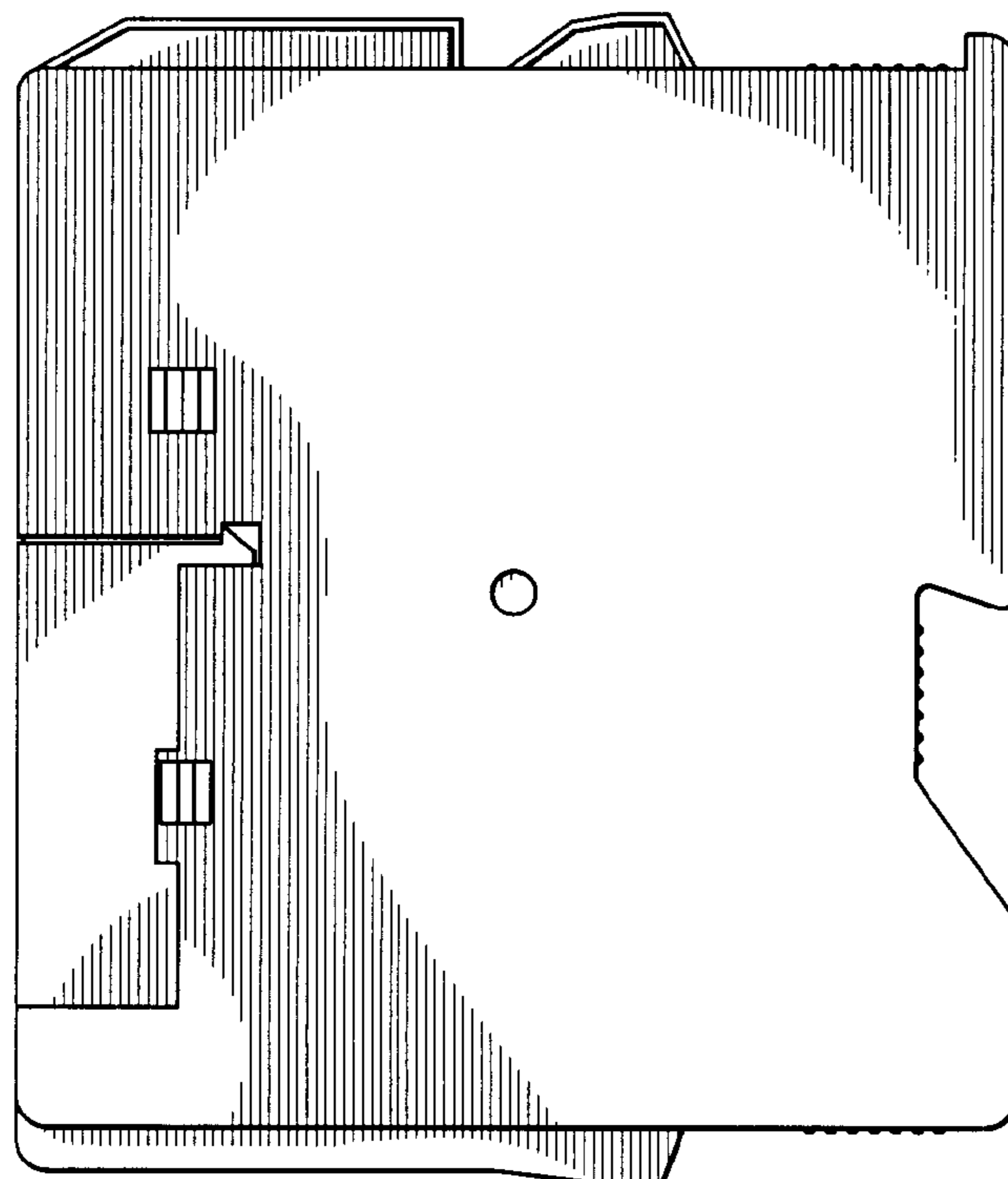


FIG. 6

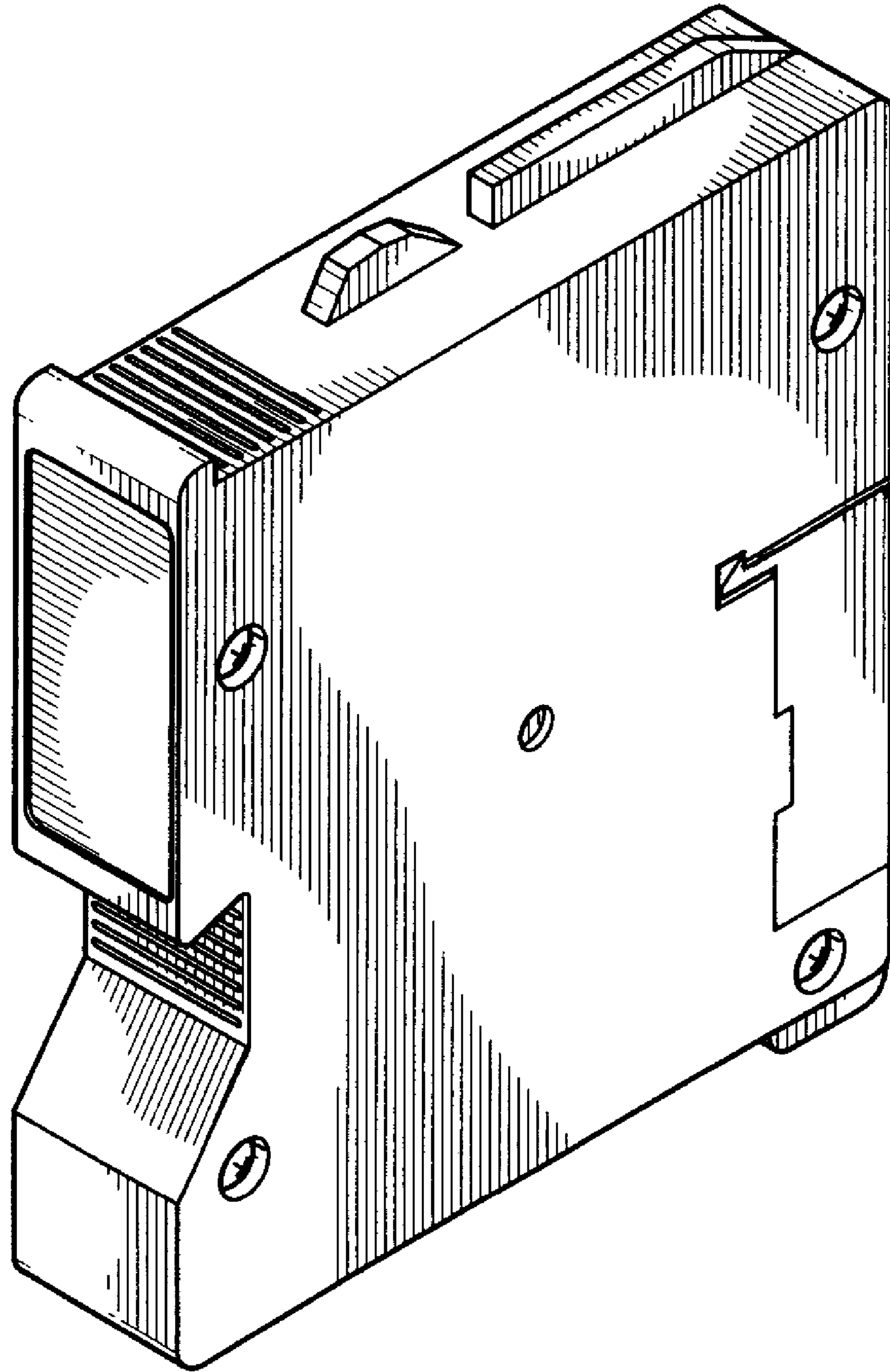


FIG. 7