

US00D541333S

(12) **United States Design Patent**  
**Hattori et al.**

(10) **Patent No.:** **US D541,333 S**

(45) **Date of Patent:** **\*\* Apr. 24, 2007**

(54) **INK CARTRIDGE**

(75) Inventors: **Shingo Hattori**, Tsushima (JP);  
**Toyonori Sasaki**, Anjyo (JP);  
**Tomohiro Kanbe**, Nagoya (JP)

(73) Assignee: **Brother Industries, Ltd.**, Nagoya (JP)

(\*\*) Term: **14 Years**

(21) Appl. No.: **29/256,707**

(22) Filed: **Mar. 24, 2006**

(30) **Foreign Application Priority Data**

Nov. 18, 2005 (JP) ..... 2005-034123

(51) **LOC (8) Cl.** ..... **18-02**

(52) **U.S. Cl.** ..... **D18/56; 347/86**

(58) **Field of Classification Search** ..... D18/12,  
D18/40, 43, 56; D14/481, 483; 347/29, 33,  
347/49-50, 86-87, 178, 214; 399/25, 110  
See application file for complete search history.

(56) **References Cited**

**U.S. PATENT DOCUMENTS**

D418,156 S \* 12/1999 Maeda ..... D18/43

D448,798 S \* 10/2001 Shimizu et al. .... D18/56  
D449,643 S \* 10/2001 Hatasa et al. .... D18/56  
D456,446 S \* 4/2002 Carrese et al. .... D18/56  
D490,102 S \* 5/2004 Umeyama et al. .... D18/56  
D491,221 S \* 6/2004 Umeyama et al. .... D18/56  
D493,820 S \* 8/2004 Matsuo et al. .... D18/56  
D511,792 S \* 11/2005 Shinada et al. .... D18/56

\* cited by examiner

*Primary Examiner*—Cathy Anne MacCormac  
(74) *Attorney, Agent, or Firm*—Oliff & Berridge, PLC

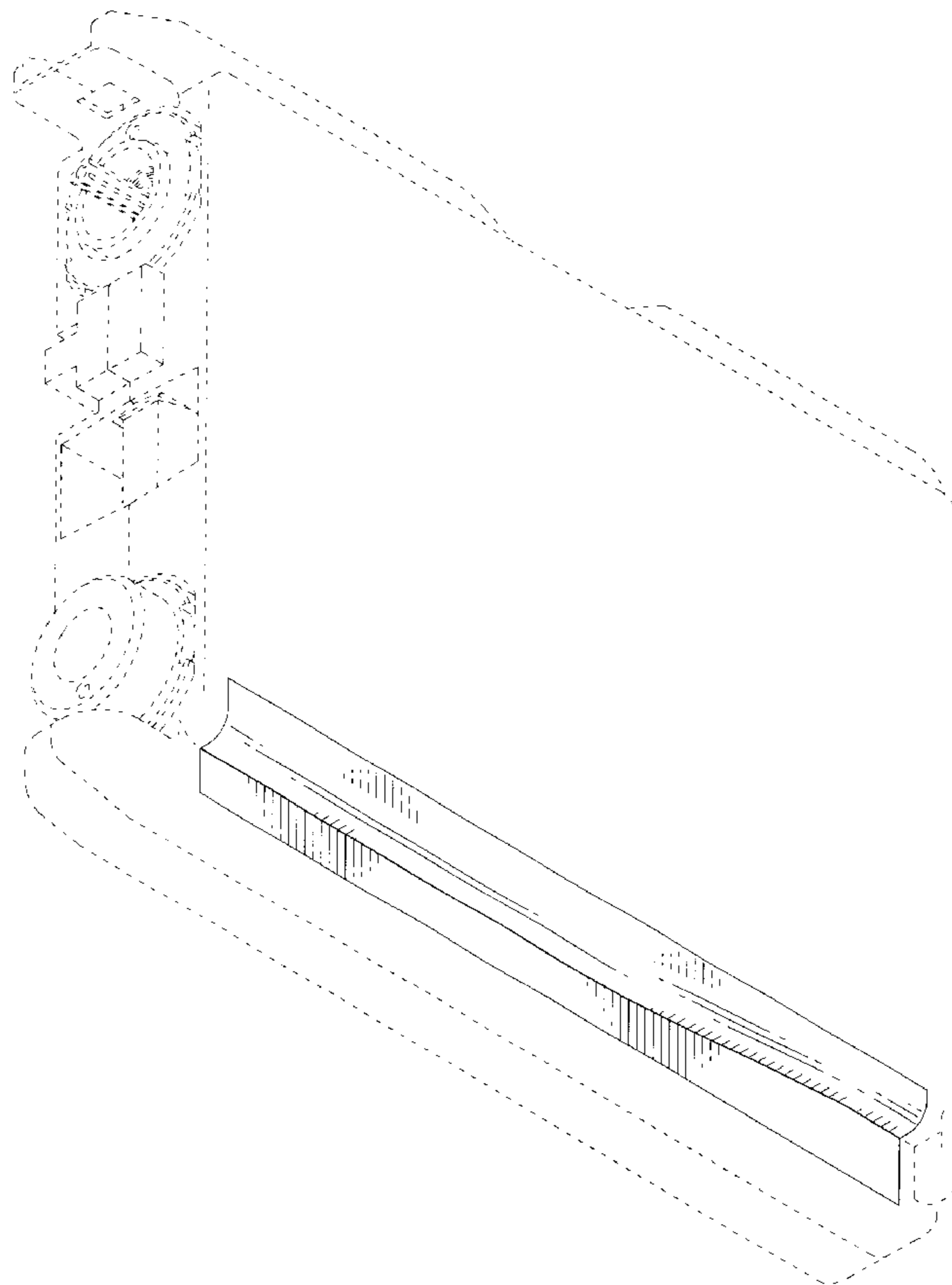
(57) **CLAIM**

The ornamental design for an ink cartridge, as shown and described.

**DESCRIPTION**

FIG. 1 is a perspective view of an ink cartridge;  
FIG. 2 is a front view thereof; and,  
FIG. 3 is a bottom view thereof.  
The broken lines are for illustrative purposes only and form no part of the claimed design.

**1 Claim, 3 Drawing Sheets**



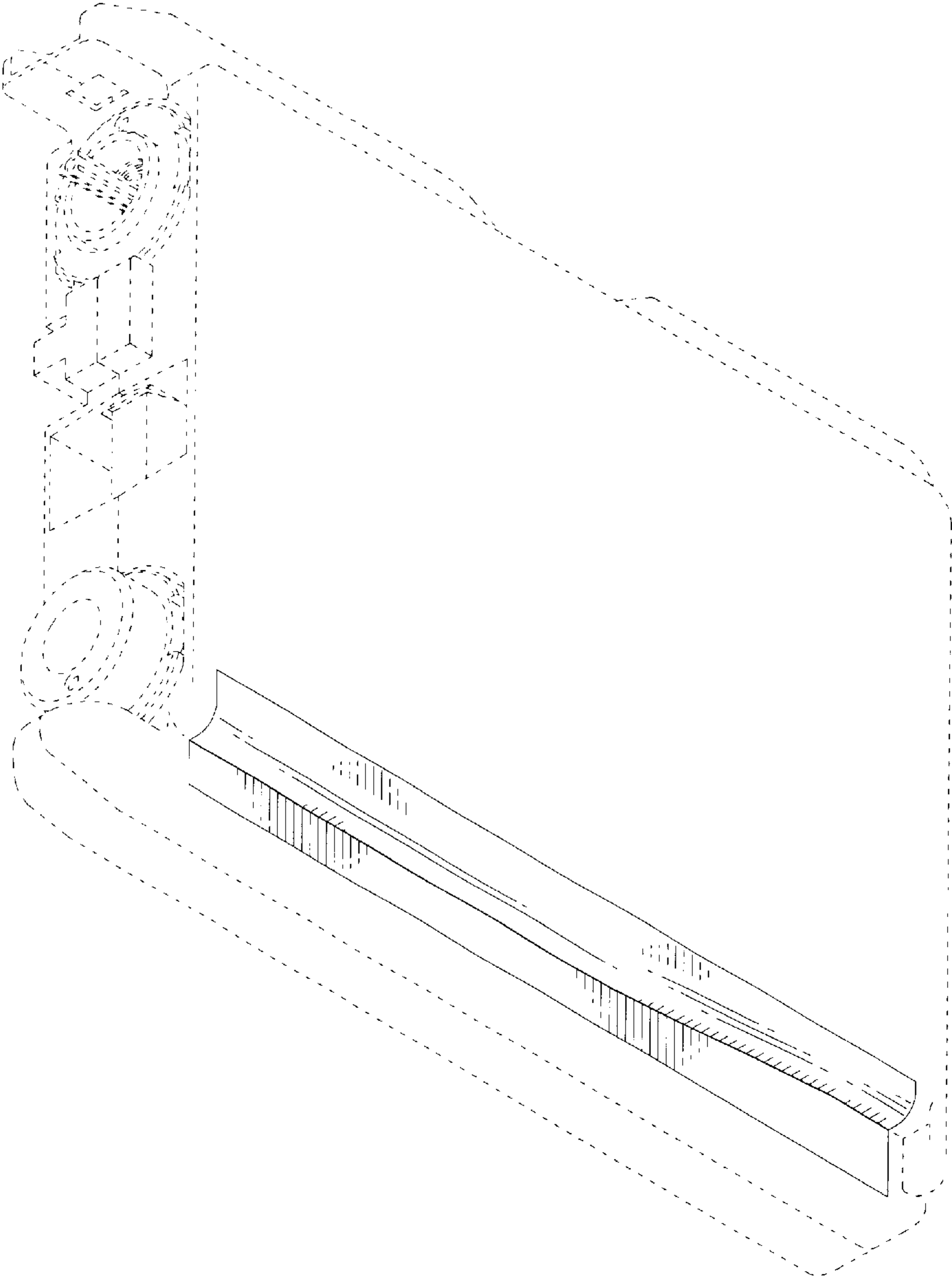


FIG. 1

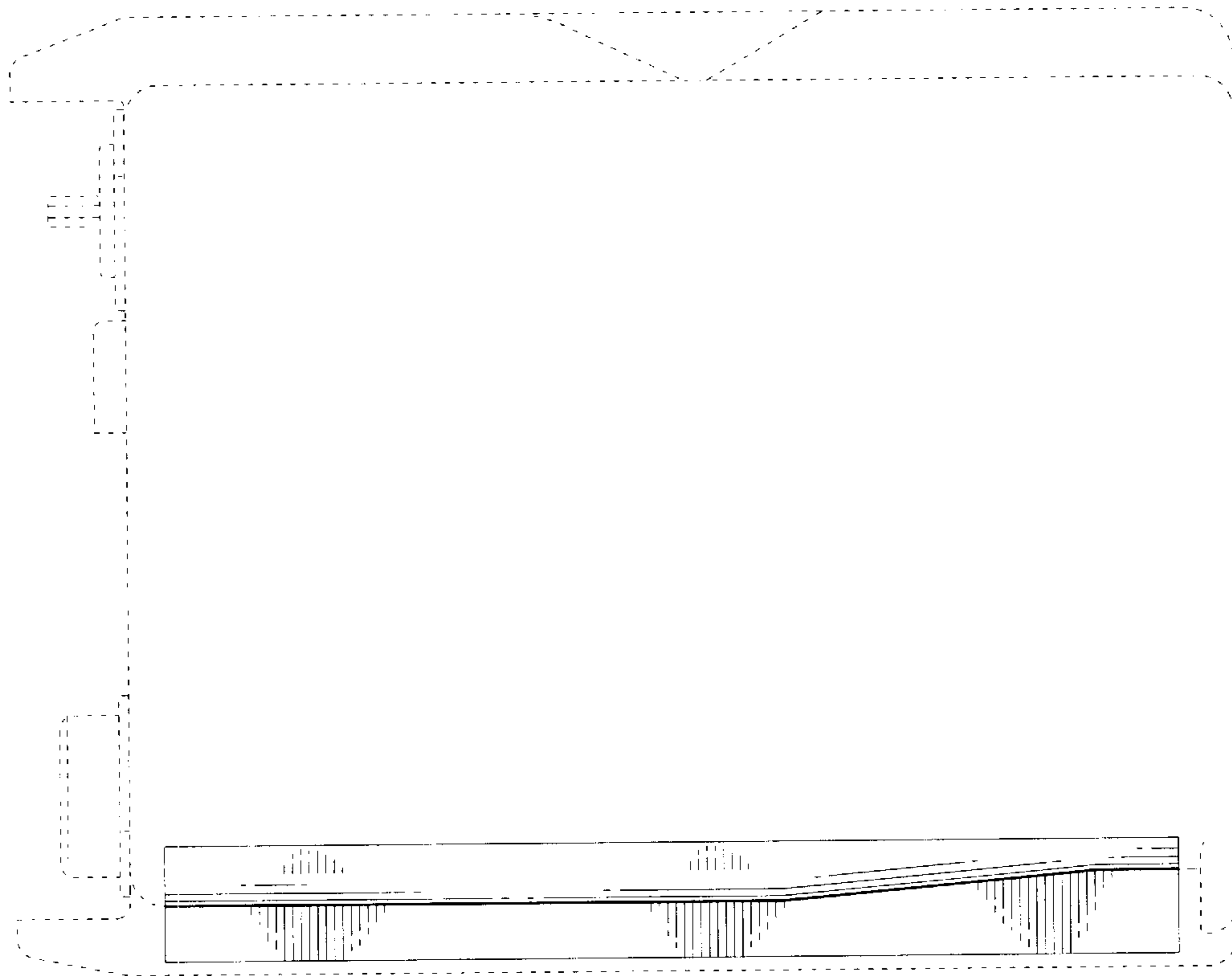


FIG. 2

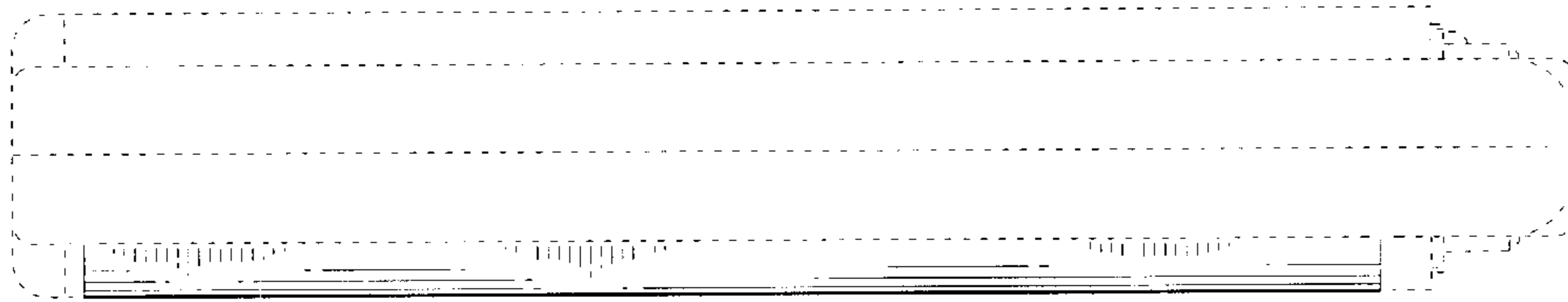


FIG. 3