

US00D541330S

(12) **United States Design Patent**  
**Lombardi**

(10) **Patent No.:** **US D541,330 S**

(45) **Date of Patent:** **\*\* Apr. 24, 2007**

(54) **DRUM APPARATUS**

(75) Inventor: **Donald G. Lombardi**, Westlake Villate,  
CA (US)

(73) Assignee: **Drum Workshop, Inc.**, Oxnard, CA  
(US)

(\*\*) Term: **14 Years**

(21) Appl. No.: **29/256,489**

(22) Filed: **Mar. 21, 2006**

(51) **LOC (8) Cl.** ..... **17-04**

(52) **U.S. Cl.** ..... **D17/22**

(58) **Field of Classification Search** ..... D17/22;

84/104, 111, 406, 411 P, 411 R, 419, 402-404,

84/413-416, 420, 422.4, DIG. 12, DIG. 24;

D21/406-408, 487

See application file for complete search history.

(56) **References Cited**

**U.S. PATENT DOCUMENTS**

D163,538 S	*	6/1951	Orta	.....	D17/22
3,956,959 A	*	5/1976	Ebihara et al.	.....	84/725
D308,217 S	*	5/1990	Cohen	.....	D17/22
5,237,903 A	*	8/1993	Bein et al.	.....	84/404
5,280,742 A	*	1/1994	Vergara	.....	84/411 R
5,417,136 A	*	5/1995	Kralik et al.	.....	84/411 R
6,018,116 A	*	1/2000	Simons et al.	.....	84/411 R
6,091,011 A	*	7/2000	Simons et al.	.....	84/421

7,009,099 B1 \* 3/2006 Belli ..... 84/411 R  
2004/0134333 A1 \* 7/2004 May ..... 84/413

**OTHER PUBLICATIONS**

Tycoon Percussion. <http://www.tycoonmusic.com/newproduct.htm>. Copyright 2003. TJ-72 BBP:Djembe Drum, Item A: center of page.\*

PBS.org. <http://www.pbs.org/wws/howto/africandrum.html>. Jan. 2001. African Drum, Item B: center of page.\*

\* cited by examiner

*Primary Examiner*—Ian Simmons

*Assistant Examiner*—R. Johnson

(74) *Attorney, Agent, or Firm*—William W. Haefliger

(57) **CLAIM**

I claim the ornamental design for a drum apparatus, as shown and described.

**DESCRIPTION**

FIG. 1 is a perspective view of a drum apparatus showing my new design;

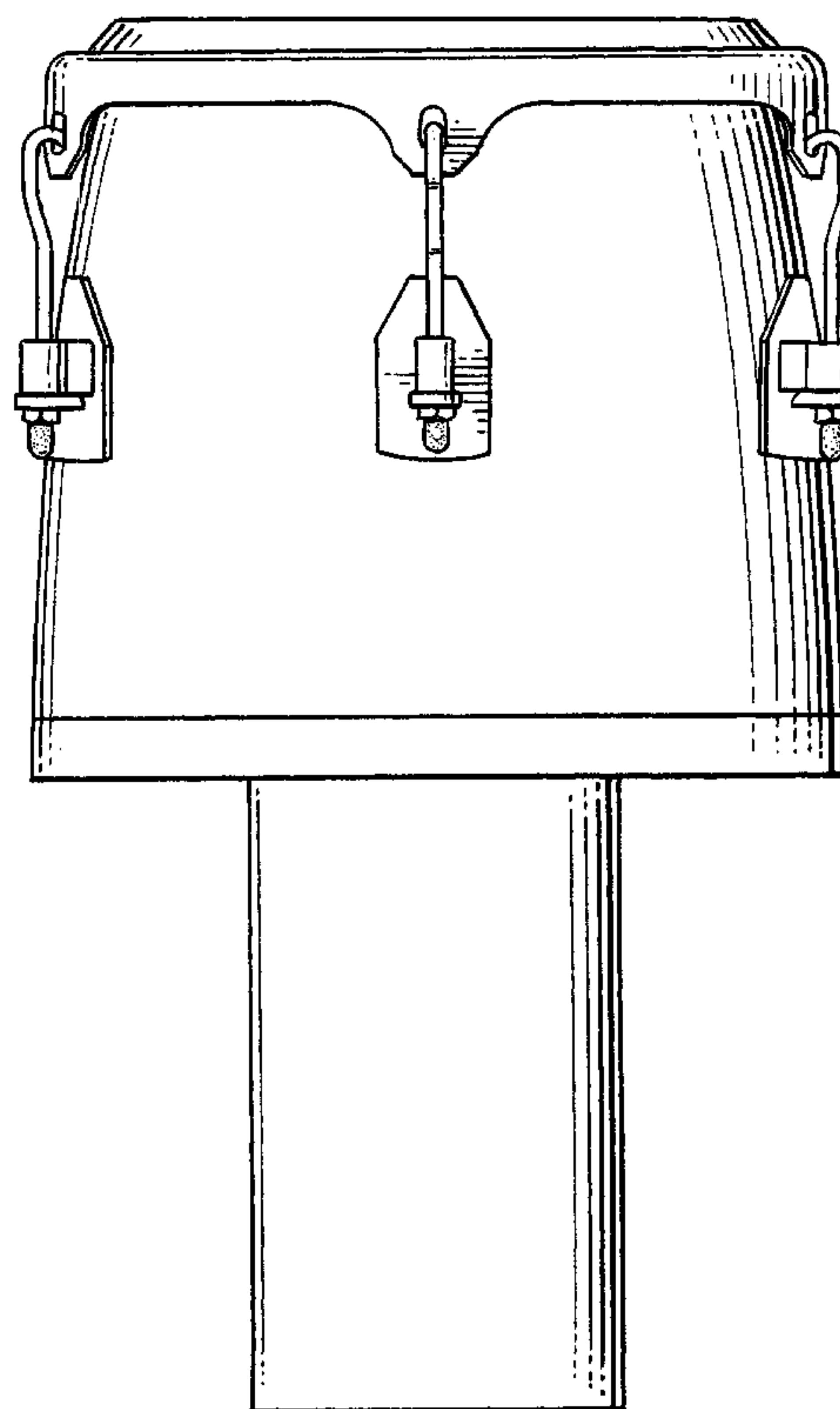
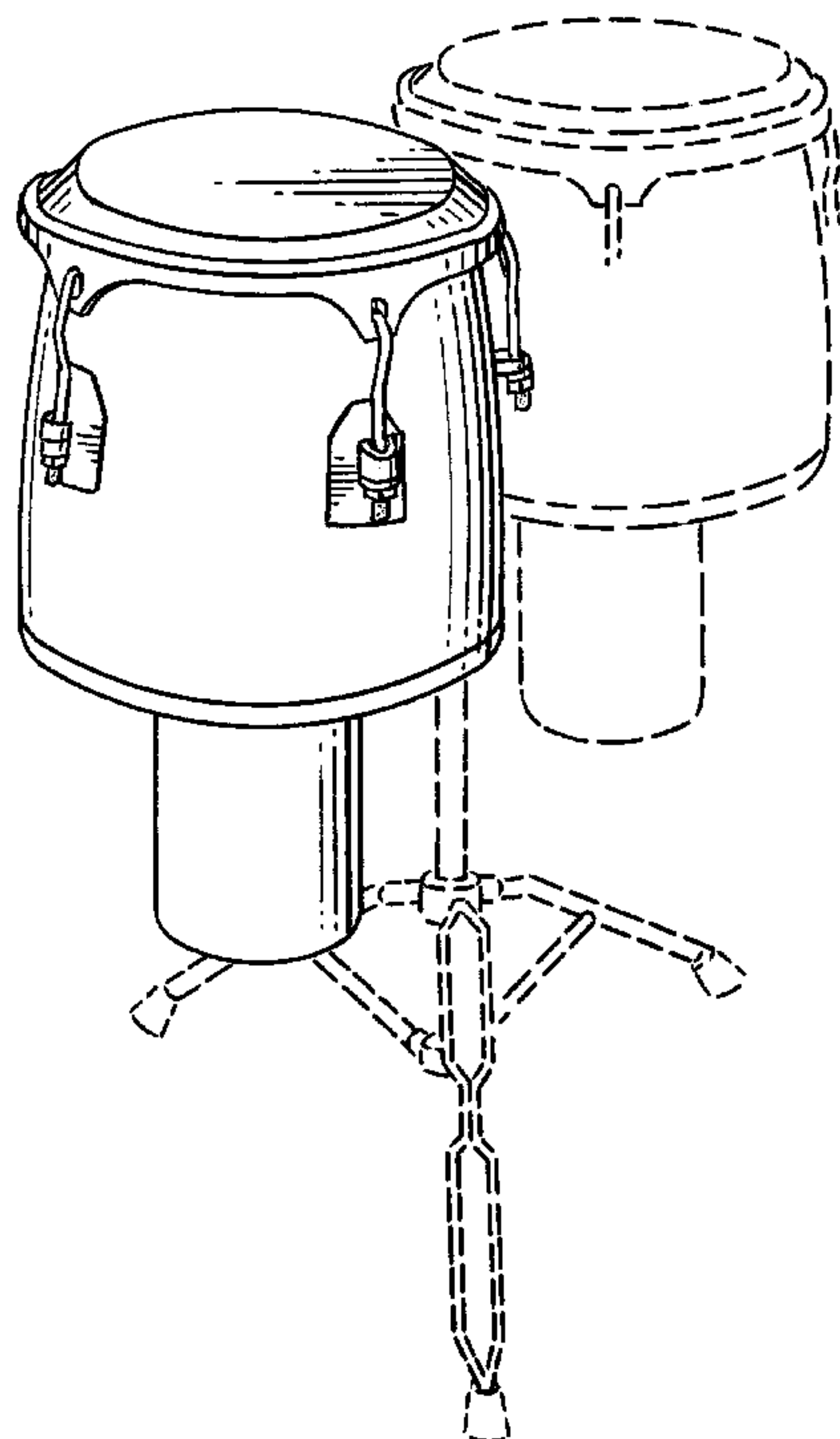
FIG. 2 is a top plan view thereof;

FIG. 3 is a side elevational view thereof, the other sides appearing the same; and,

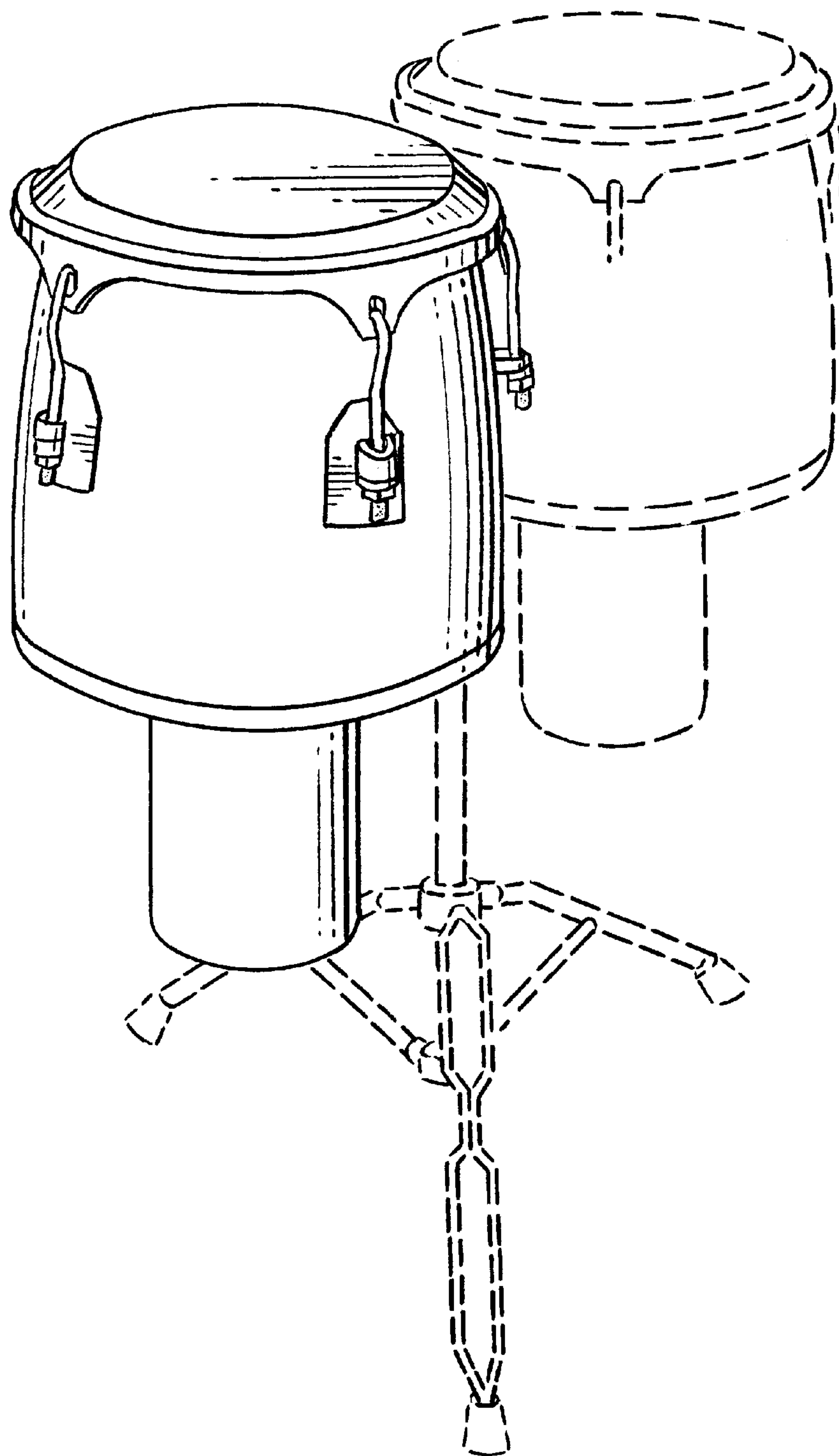
FIG. 4 is a bottom plan view, thereof.

The broken lines shown in FIG. 1 are for the purpose of illustrating environmental structure and form no part of the claimed design.

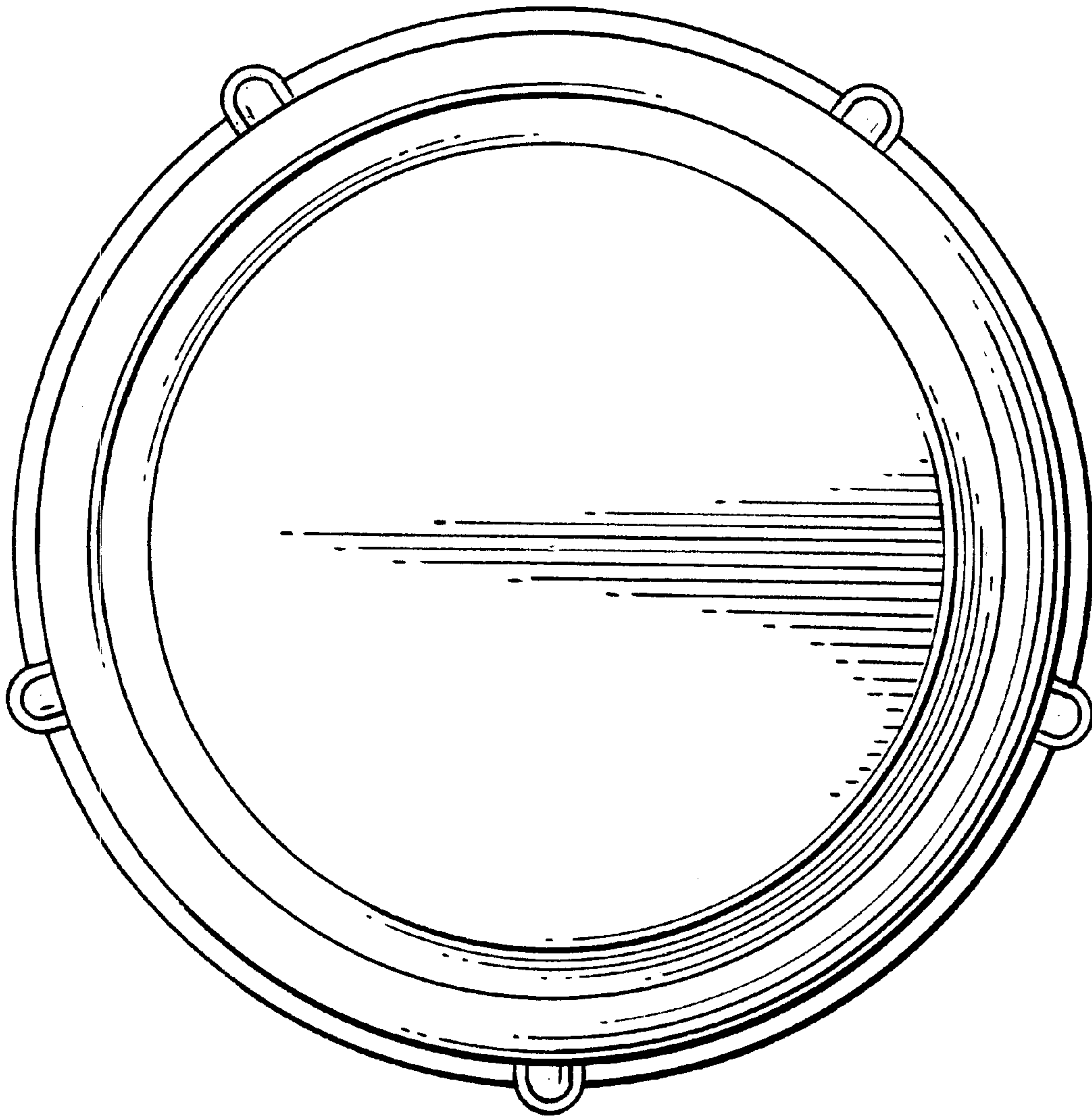
**1 Claim, 4 Drawing Sheets**



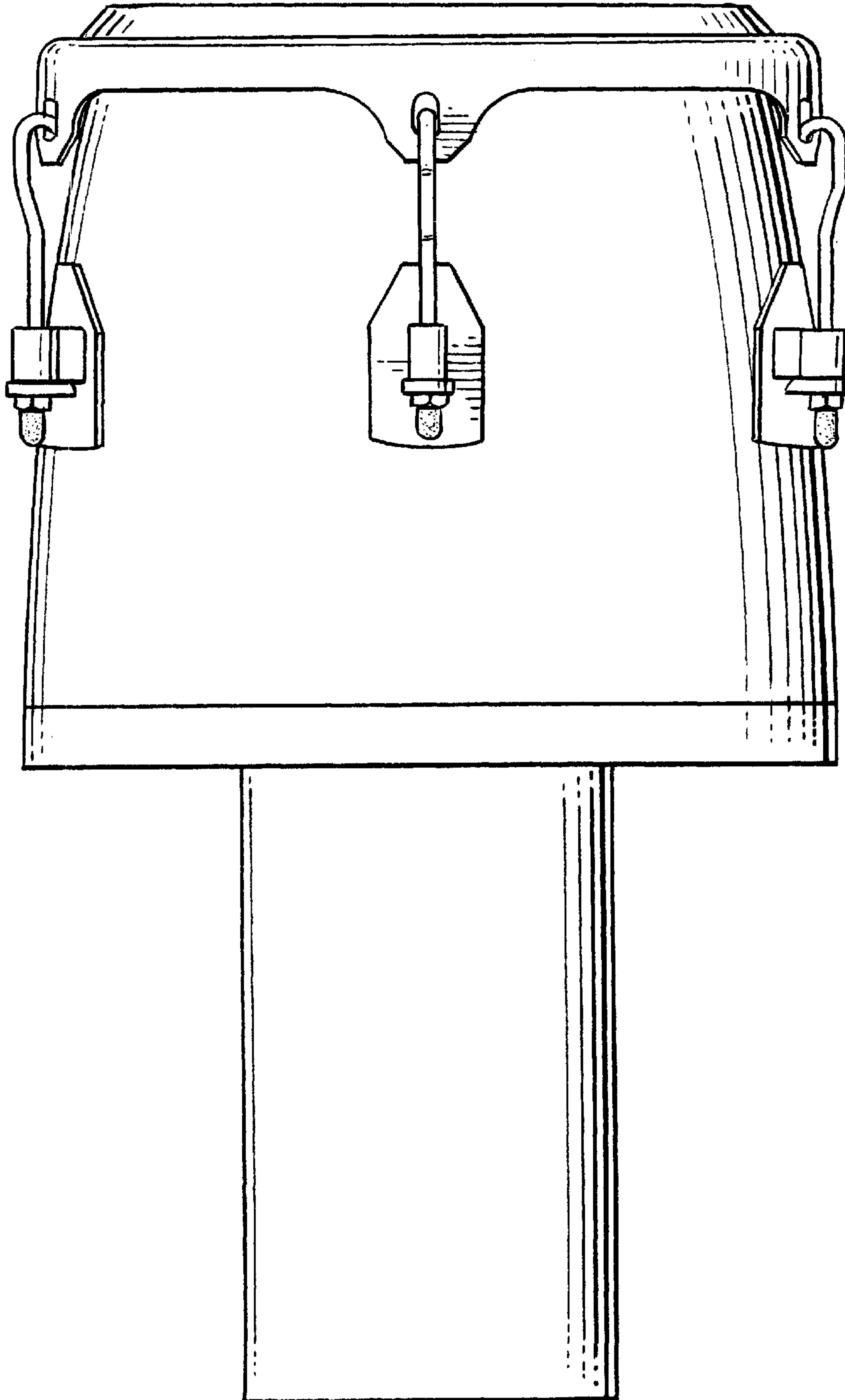
*FIG. 1.*



*FIG. 2.*



*FIG. 3.*



*FIG. 4.*

