



US00D541327S

(12) **United States Design Patent**
Ogino et al.

(10) **Patent No.: US D541,327 S**

(45) **Date of Patent: ** Apr. 24, 2007**

(54) **DIGITAL CAMERA**

(75) Inventors: **Masaki Ogino**, Tokyo (JP); **Akihiro Miyahara**, Kunitachi (JP); **Kazuhito Sakaguchi**, Sagamihara (JP)

(73) Assignee: **Casio Keisanki Kabushiki Kaisha**, Tokyo (JP)

(**) Term: **14 Years**

(21) Appl. No.: **29/226,950**

(22) Filed: **Apr. 5, 2005**

(51) **LOC (8) Cl.** **16-05**

(52) **U.S. Cl.** **D16/219; D16/202**

(58) **Field of Classification Search** D16/200–204,
D16/208, 209, 218, 219; 348/373–376; 358/909.1;
396/349, 448, 535–541

See application file for complete search history.

(56) **References Cited**

U.S. PATENT DOCUMENTS

D367,283 S	*	2/1996	Lyon et al.	D16/208
5,970,265 A	*	10/1999	Schelling	396/448
D423,544 S	*	4/2000	Yamamoto et al.	D16/218
D496,380 S	*	9/2004	Isomoto	D16/202
D503,946 S	*	4/2005	Chao et al.	D16/202

D516,599 S	*	3/2006	Nakamura	D16/202
D524,349 S	*	7/2006	Nagayama et al.	D16/219
D524,350 S	*	7/2006	Hayamizu	D16/219
D531,652 S	*	11/2006	Ogino et al.	D16/202
D532,435 S	*	11/2006	Ogino et al.	D16/219

* cited by examiner

Primary Examiner—Adir Aronovich

(74) *Attorney, Agent, or Firm*—Frishauf, Holtz, Goodman & Chick, P.C.

(57) **CLAIM**

The ornamental design for a digital camera, as shown and described.

DESCRIPTION

FIG. 1 is a reduced scale front, right side, top perspective view of a digital camera showing our new design;

FIG. 2 is a front elevational view thereof;

FIG. 3 is a rear elevational view thereof;

FIG. 4 is a left side view thereof;

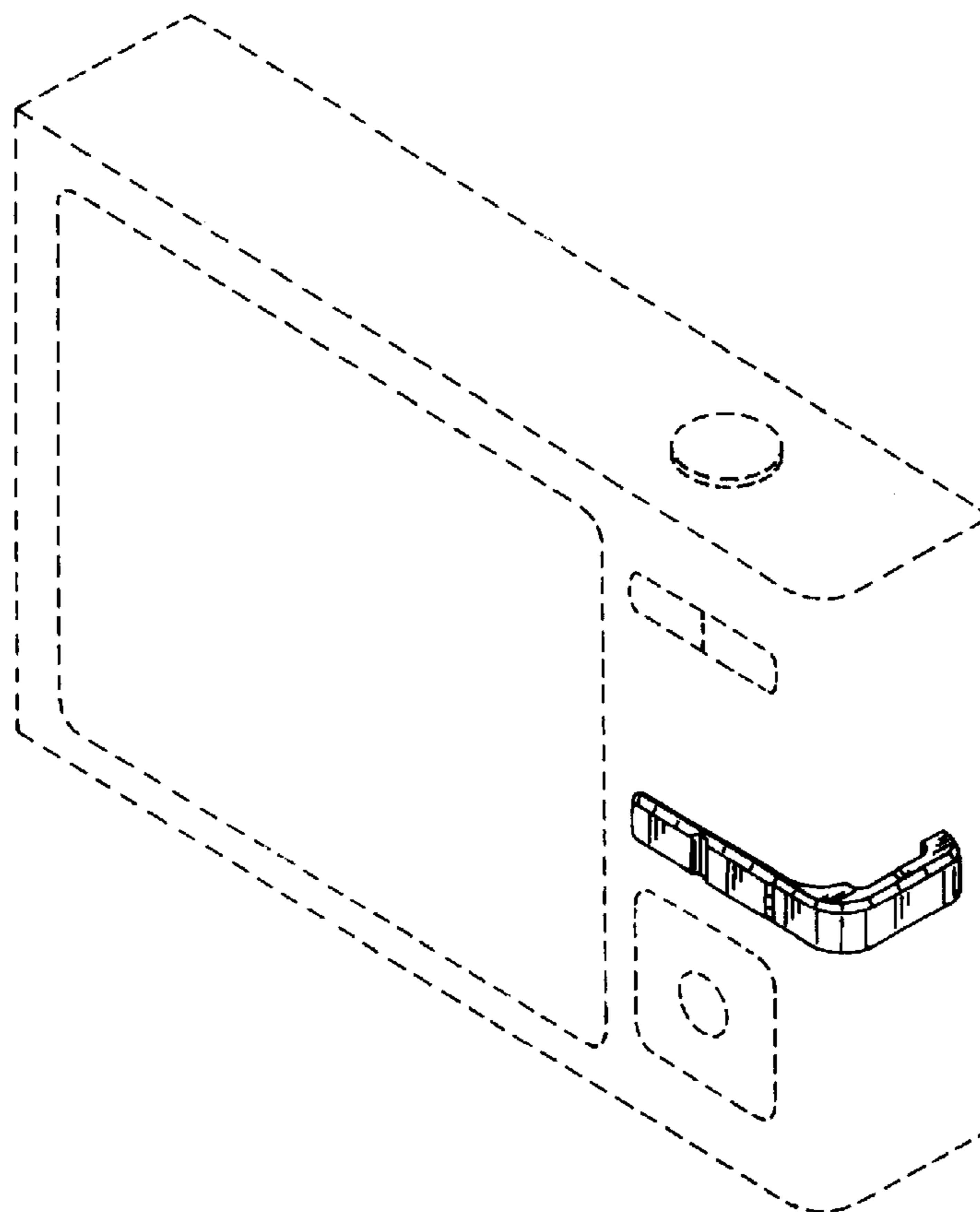
FIG. 5 is a right side view thereof;

FIG. 6 is a top plan view thereof; and,

FIG. 7 is a bottom plan view thereof.

The broken line showings are for illustrative purposes only and form no part of the claimed design.

1 Claim, 4 Drawing Sheets



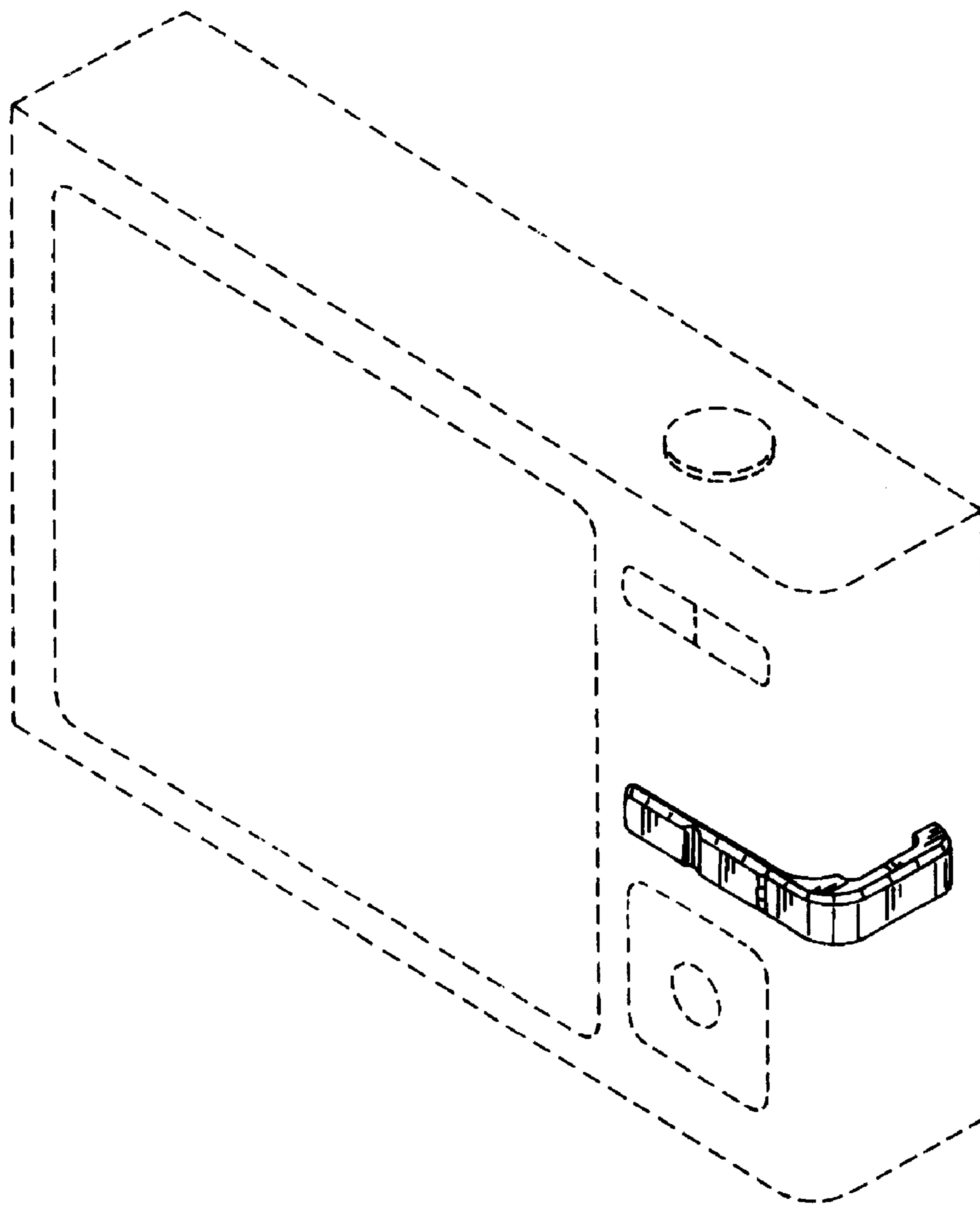


FIG. 1

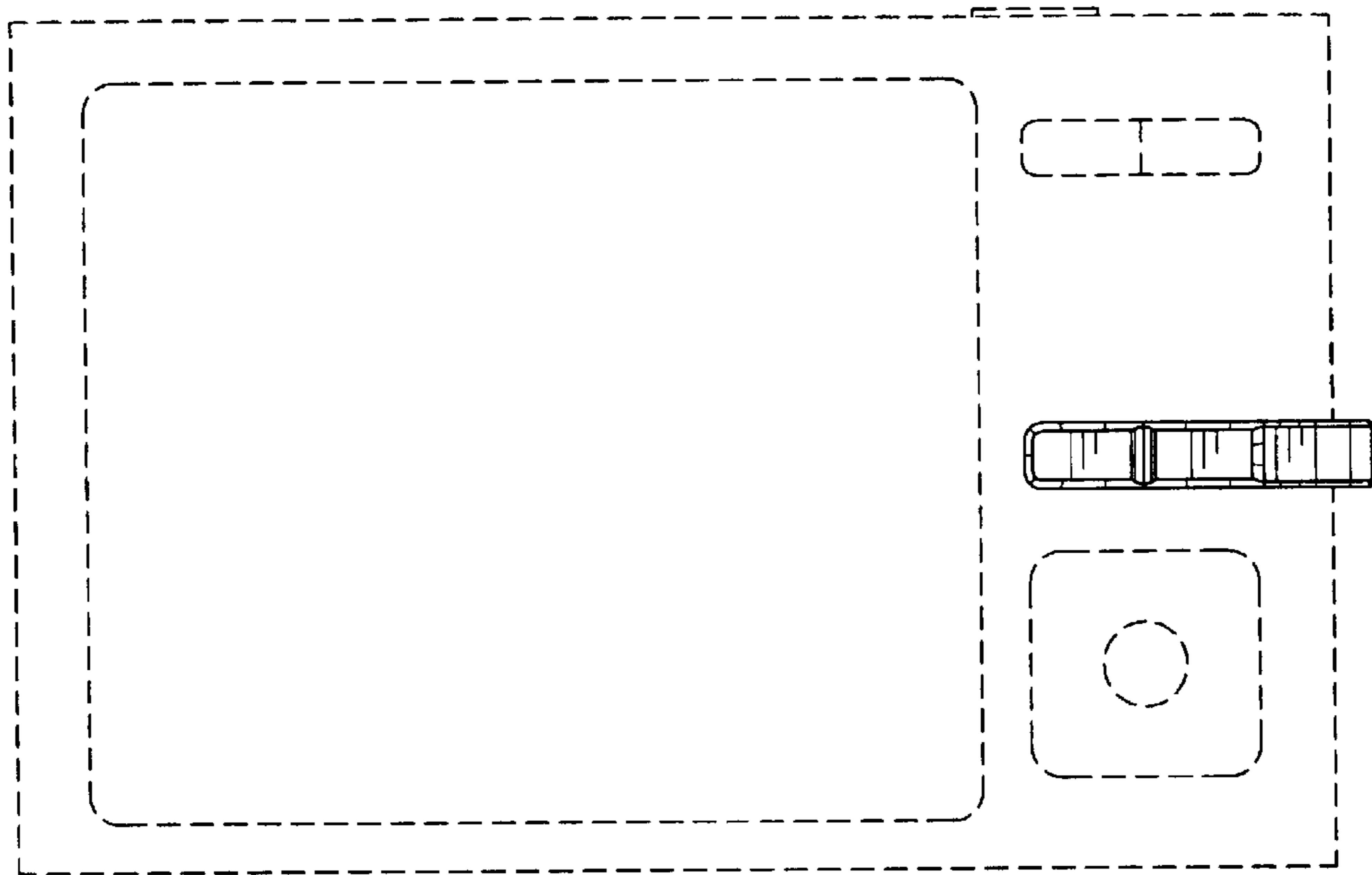


FIG. 2

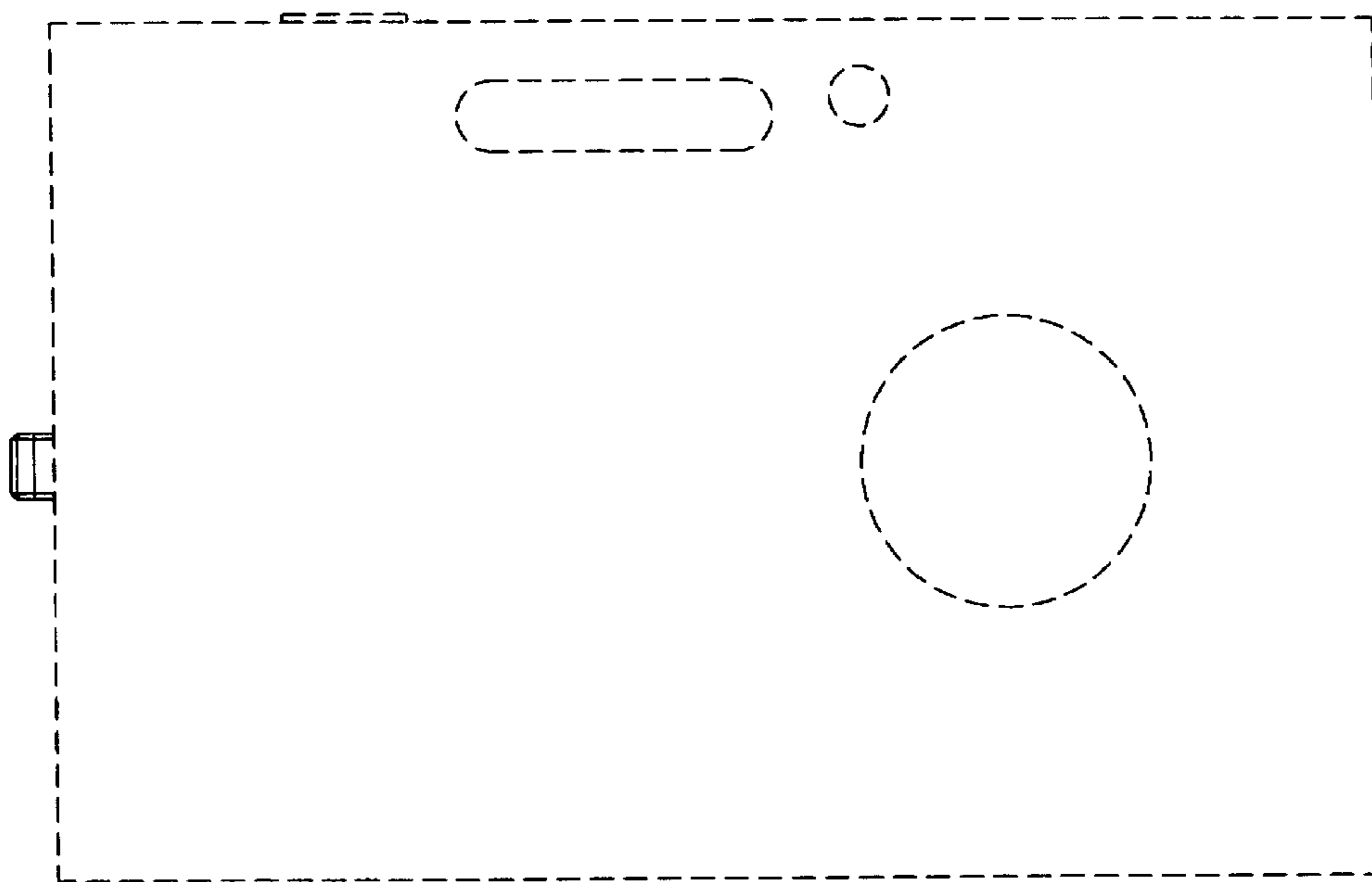


FIG. 3

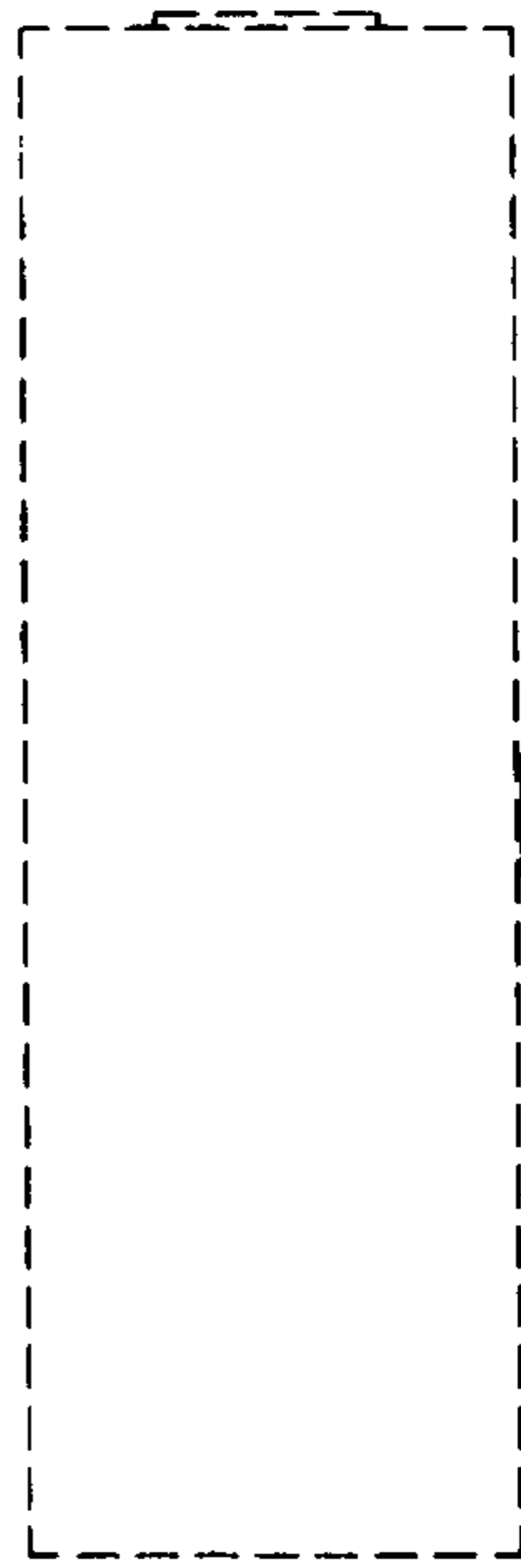


FIG. 4

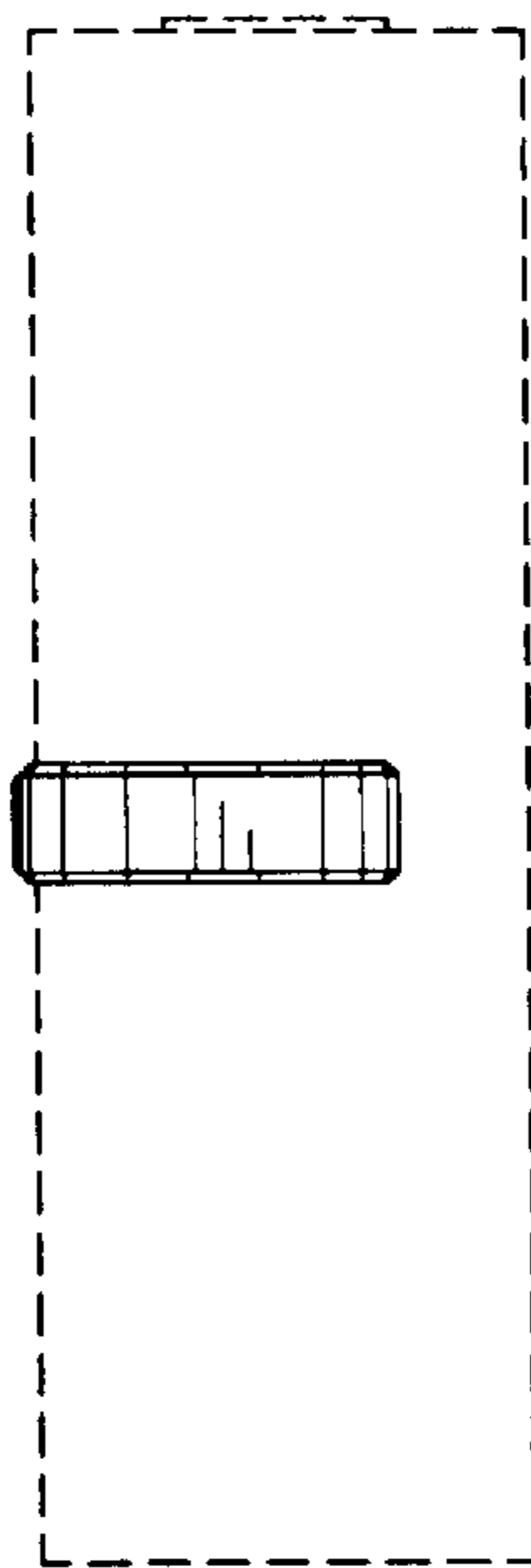


FIG. 5



FIG. 6



FIG. 7