



US00D541326S

(12) **United States Design Patent**
Ford et al.

(10) **Patent No.:** **US D541,326 S**
(45) **Date of Patent:** **** Apr. 24, 2007**

(54) **CAMERA HOUSING**

(75) Inventors: **Jay Ford**, Madera, CA (US); **Mike Higgins**, Fresno, CA (US); **Greg Giroux**, Fresno, CA (US); **Paul Jessen**, Fresno, CA (US); **Joshua Houser**, Fresno, CA (US); **David L. A. Toste**, Fresno, CA (US)

(73) Assignee: **Pelco**, Clovis, CA (US)

(**) Term: **14 Years**

(21) Appl. No.: **29/207,743**

(22) Filed: **Jun. 17, 2004**

(51) **LOC (8) Cl.** **16-01**

(52) **U.S. Cl.** **D16/203**

(58) **Field of Classification Search** D16/200-206,
D16/208, 218, 242; 348/143, 151, 373-376;
358/906; 396/427, 535, 536-541
See application file for complete search history.

(56) **References Cited**

U.S. PATENT DOCUMENTS

D387,791 S * 12/1997 Wen D16/242

D446,534 S * 8/2001 Zimmer D16/203
D474,489 S * 5/2003 Kawashima D16/203
6,674,476 B1 * 1/2004 Suzuki 348/375
2004/0095506 A1 * 5/2004 Scott 348/373

OTHER PUBLICATIONS

Hernis Scan Systems AS, CAM.ST.EX285-W, Specifications; Datasheet 1.1.110D; 3 pages.

* cited by examiner

Primary Examiner—Adir Aronovich

(74) *Attorney, Agent, or Firm*—Paul T. Kashimba, Esq.

(57) **CLAIM**

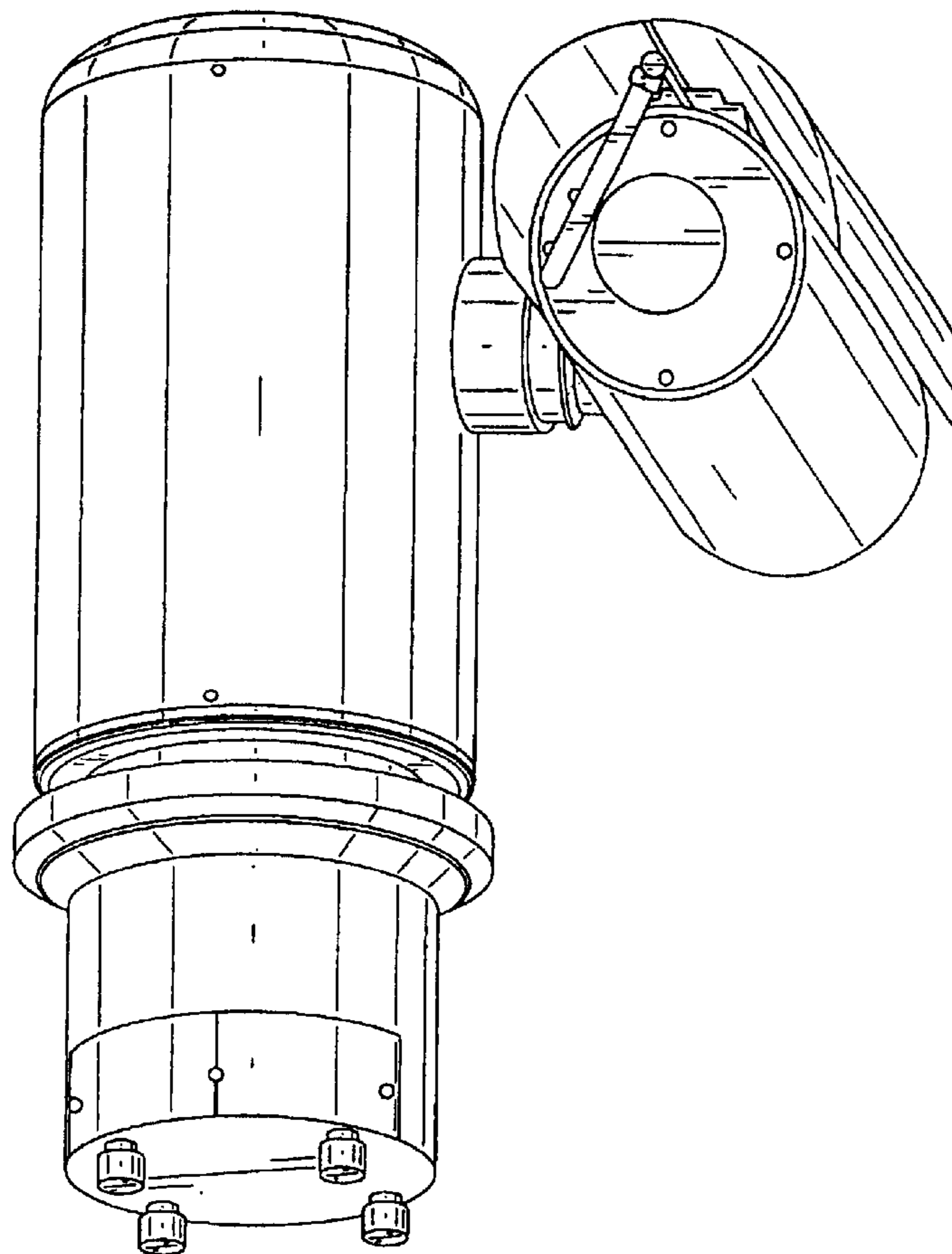
The ornamental design for a camera housing, as shown.

DESCRIPTION

FIG. 1 is a perspective lower front, left side view thereof; and,

FIG. 2 is a perspective upper rear, right side view thereof.

1 Claim, 2 Drawing Sheets



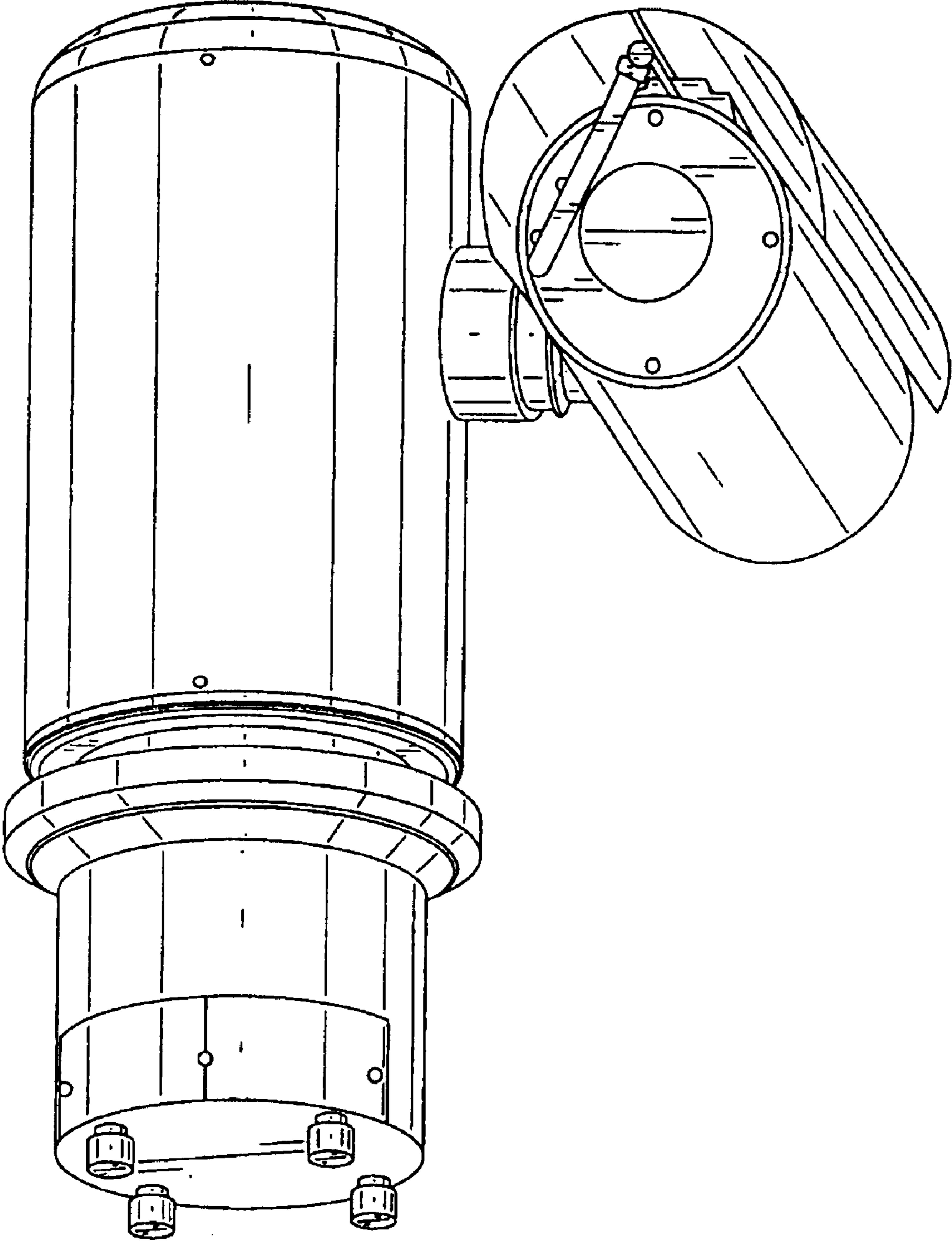


FIG. 1

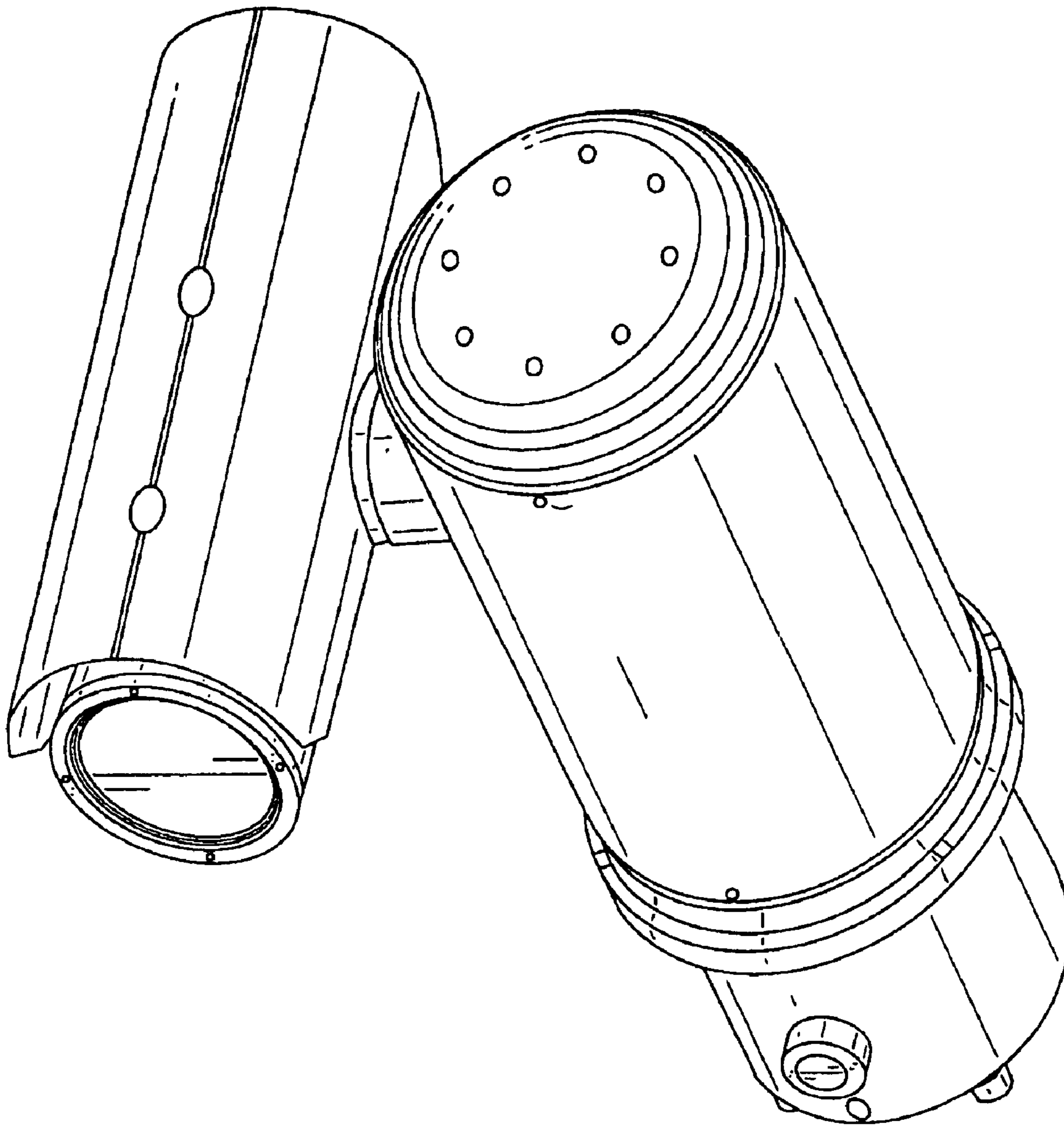


FIG. 2