

US00D541325S

(12) **United States Design Patent**  
**Sumita**

(10) **Patent No.:** **US D541,325 S**

(45) **Date of Patent:** **\*\* Apr. 24, 2007**

(54) **VIDEO CAMERA**

7,123,304 B2 \* 10/2006 Lu et al. .... 348/373

(75) Inventor: **Kaoru Sumita**, Tokyo (JP)

FOREIGN PATENT DOCUMENTS

(73) Assignee: **Sony Corporation**, Tokyo (JP)

JP D1131098 S 11/2001

(\*\*) Term: **14 Years**

OTHER PUBLICATIONS

(21) Appl. No.: **29/235,017**

Web page "GR-DV5000," <http://www.jvc-victor.co.jp/dv-main/gr-dr5000/index.html>, 2 sheets, Japan Victor (Feb. 2005).

(22) Filed: **Jul. 27, 2005**

\* cited by examiner

(30) **Foreign Application Priority Data**

Apr. 5, 2005 (JP) ..... D2005-010186

*Primary Examiner*—Adir Aronovich

(51) **LOC (8) Cl.** ..... **16-01**

(74) *Attorney, Agent, or Firm*—Rader, Fishman & Grauer PLLC

(52) **U.S. Cl.** ..... **D16/202**

(58) **Field of Classification Search** ..... D16/200–205,  
D16/208, 218; 348/373–376; 358/906; 396/535–541  
See application file for complete search history.

(57) **CLAIM**

The ornamental design for a video camera, as shown.

(56) **References Cited**

**DESCRIPTION**

U.S. PATENT DOCUMENTS

FIG. 1 is a perspective view of a video camera showing my new design;

FIG. 2 is a front elevational view thereof;

FIG. 3 is a rear elevational view thereof;

FIG. 4 is a left side elevational view thereof;

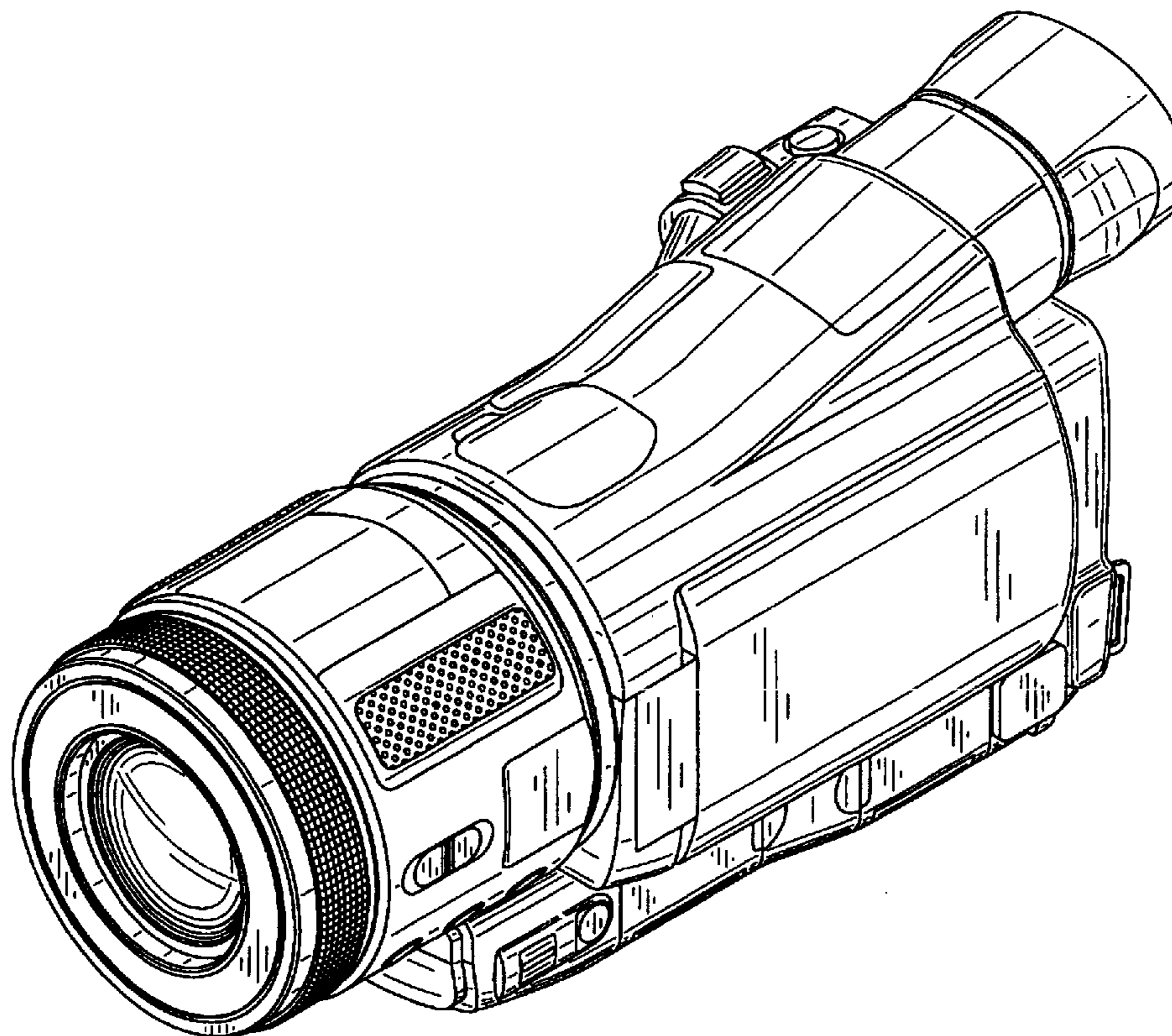
FIG. 5 is a right side elevational view thereof;

FIG. 6 is a top plan view thereof; and,

FIG. 7 is a bottom plan view thereof.

D381,996 S	8/1997	Kobayashi	
D445,816 S	* 7/2001	Tanaka	D16/203
D448,783 S	10/2001	Suzuki	
D476,022 S	6/2003	Sumita	
D477,343 S	* 7/2003	Miyashita	D16/202
D508,066 S	* 8/2005	Ikenaga	D16/202
D511,350 S	* 11/2005	Sumita	D16/202
D517,106 S	* 3/2006	Onuma	D16/202

**1 Claim, 7 Drawing Sheets**



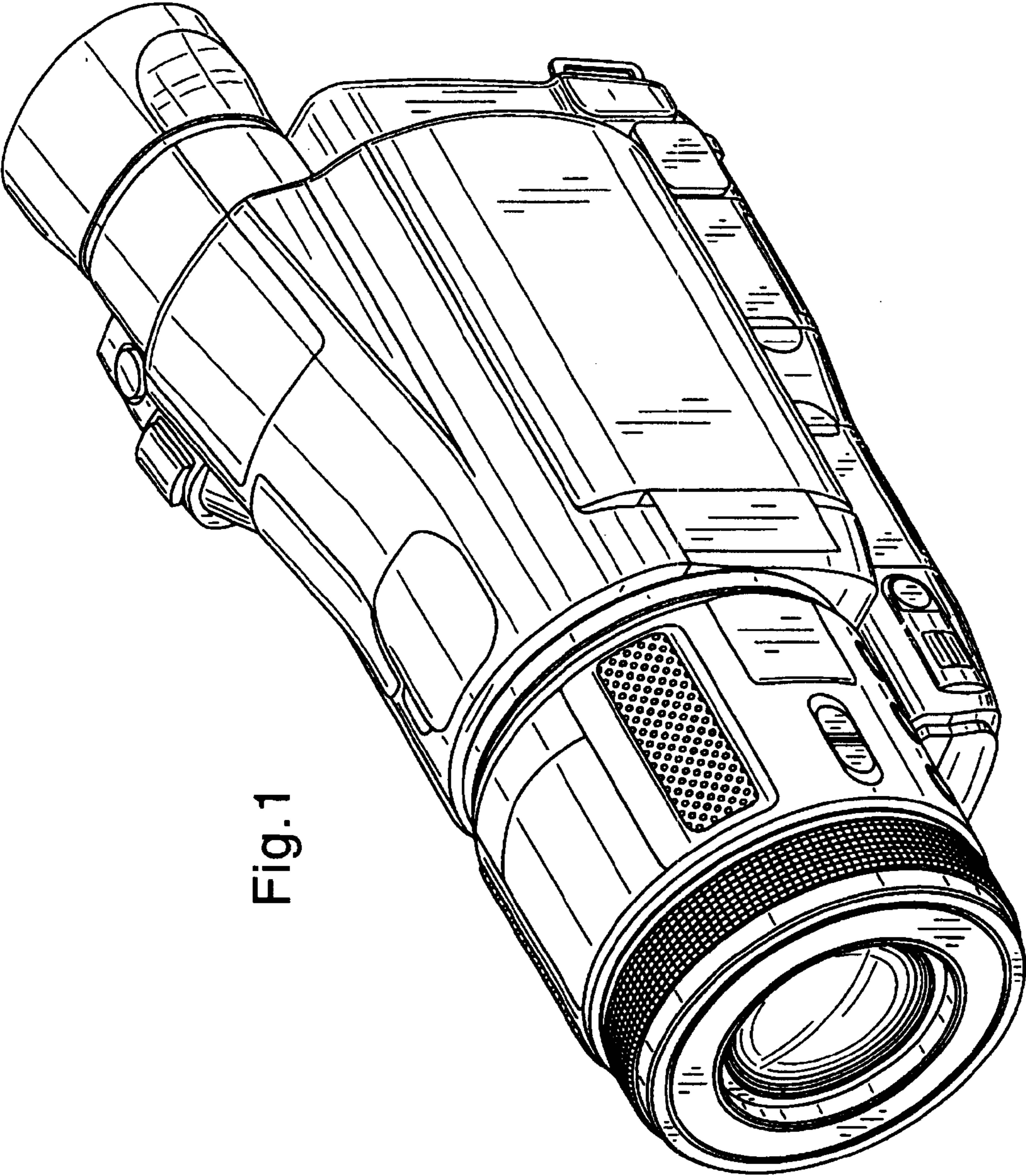


Fig. 1

Fig.2

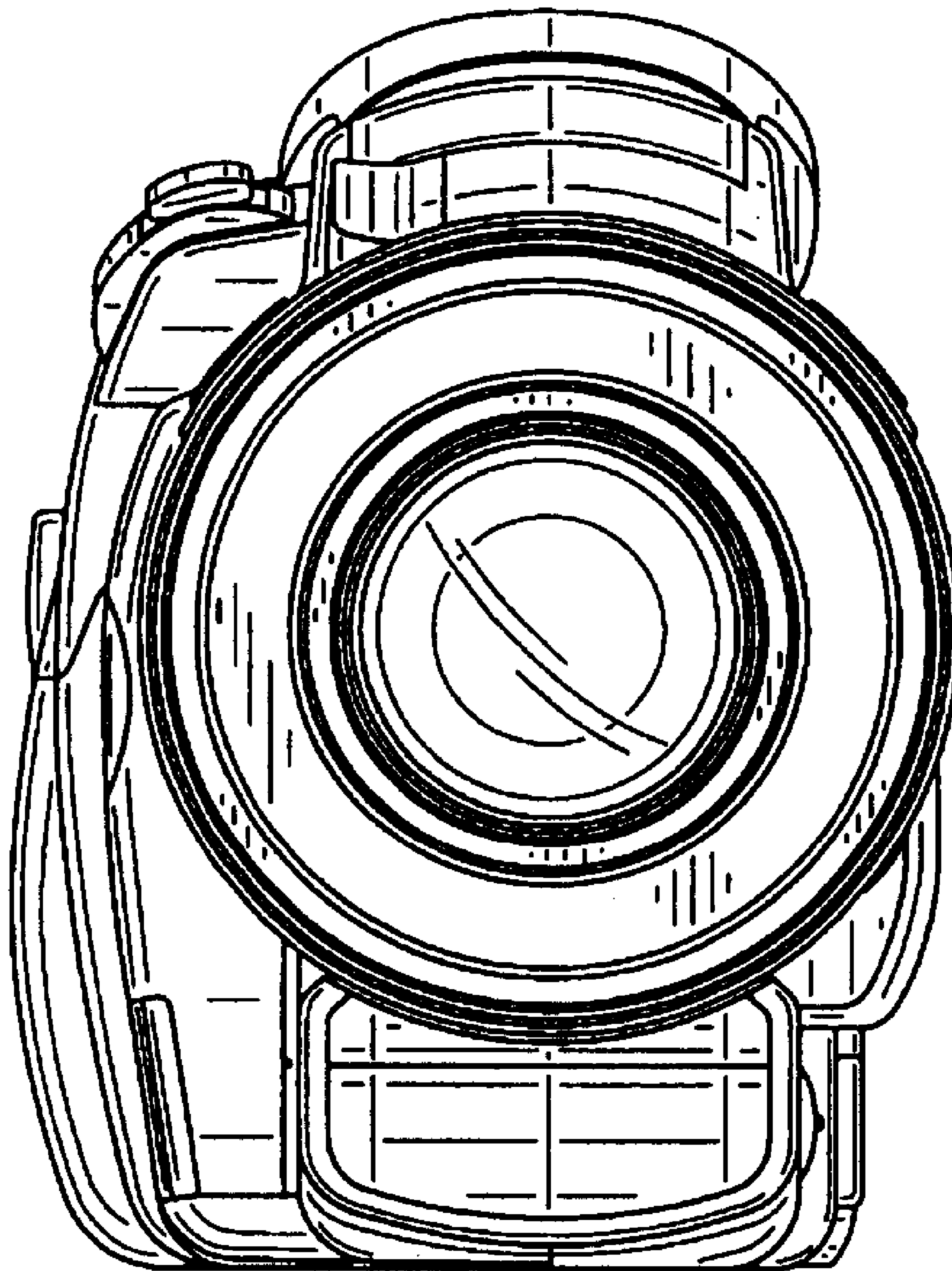


Fig.3

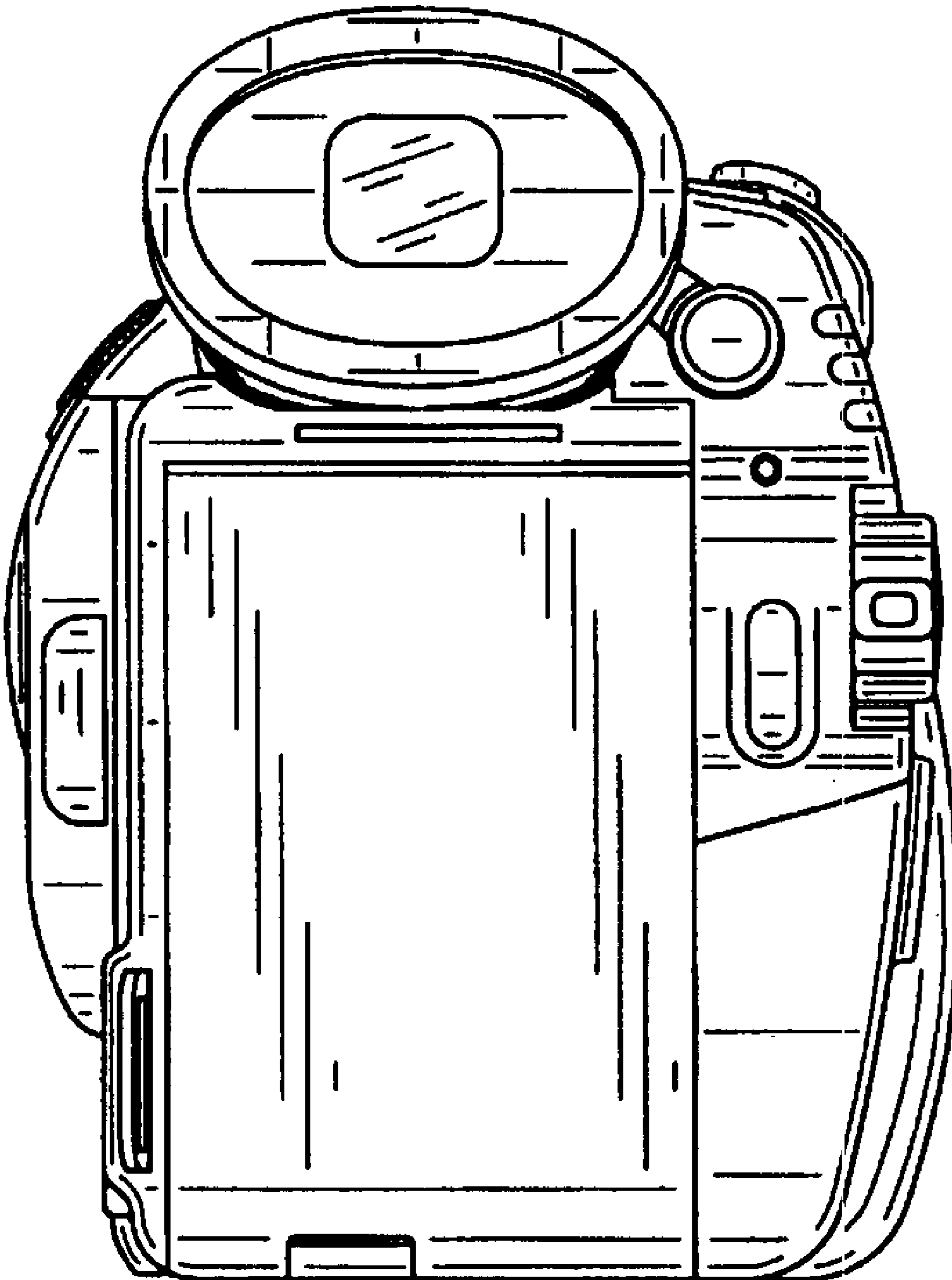


Fig. 4

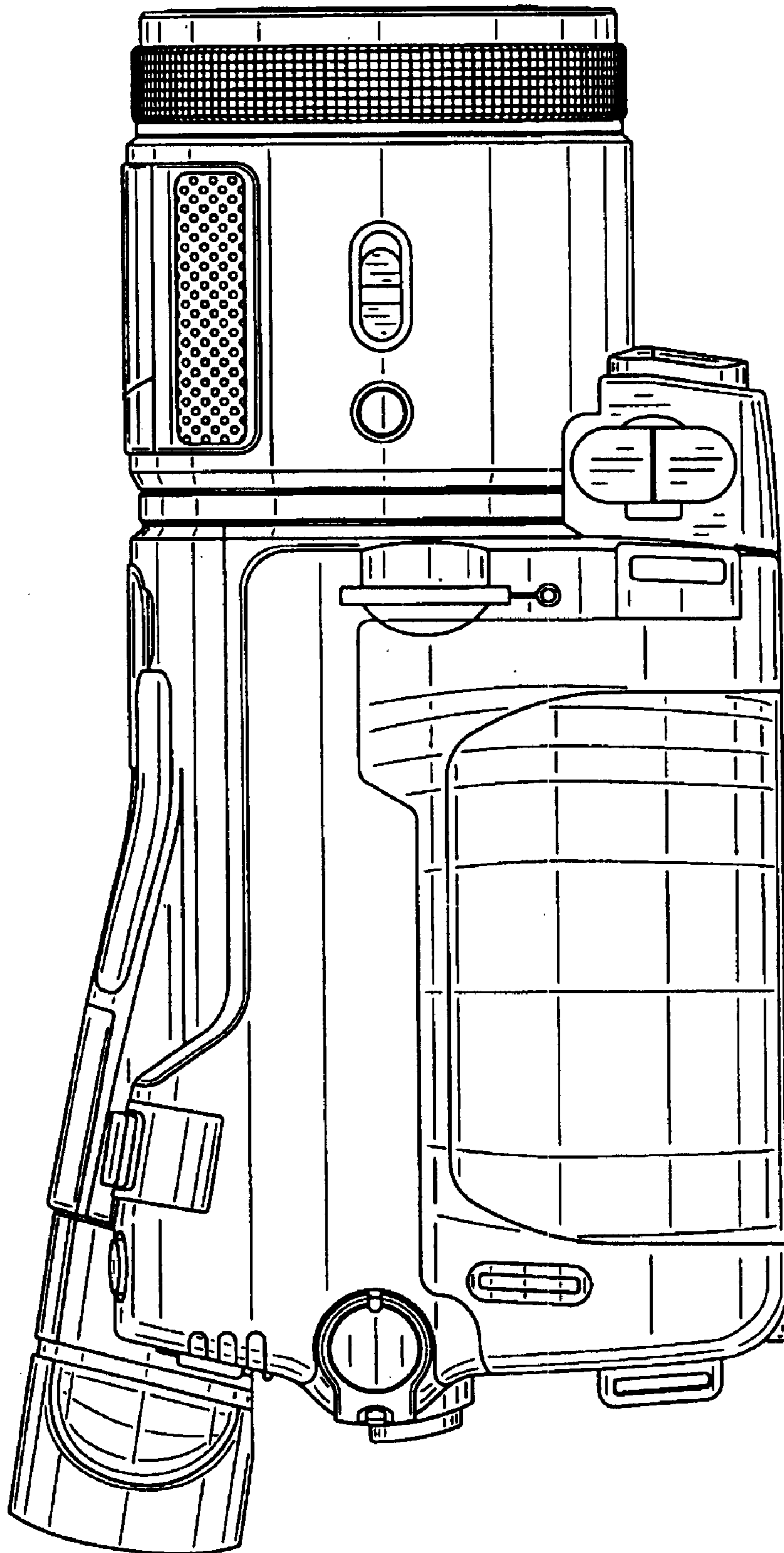


Fig. 5

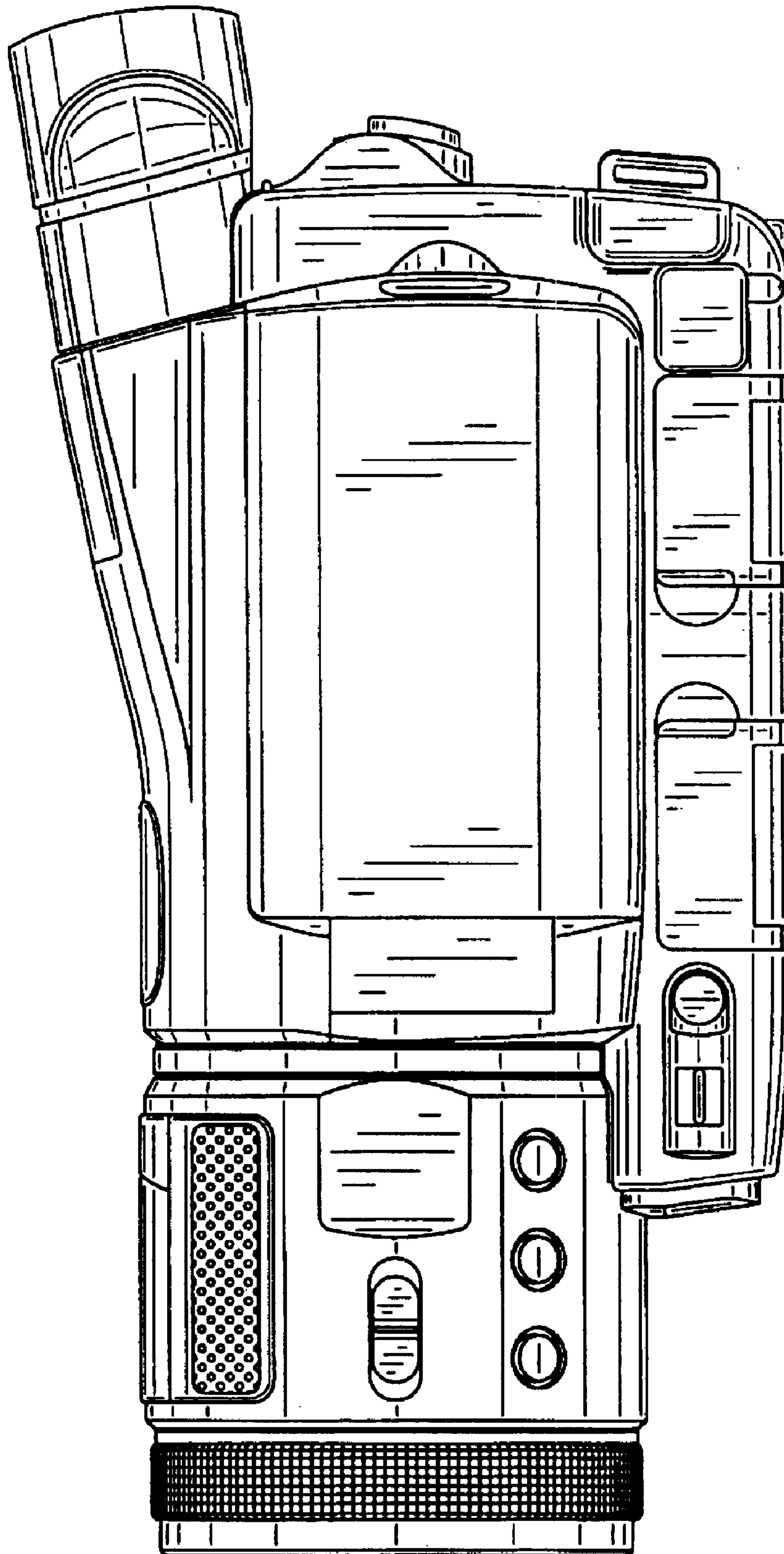


Fig.6

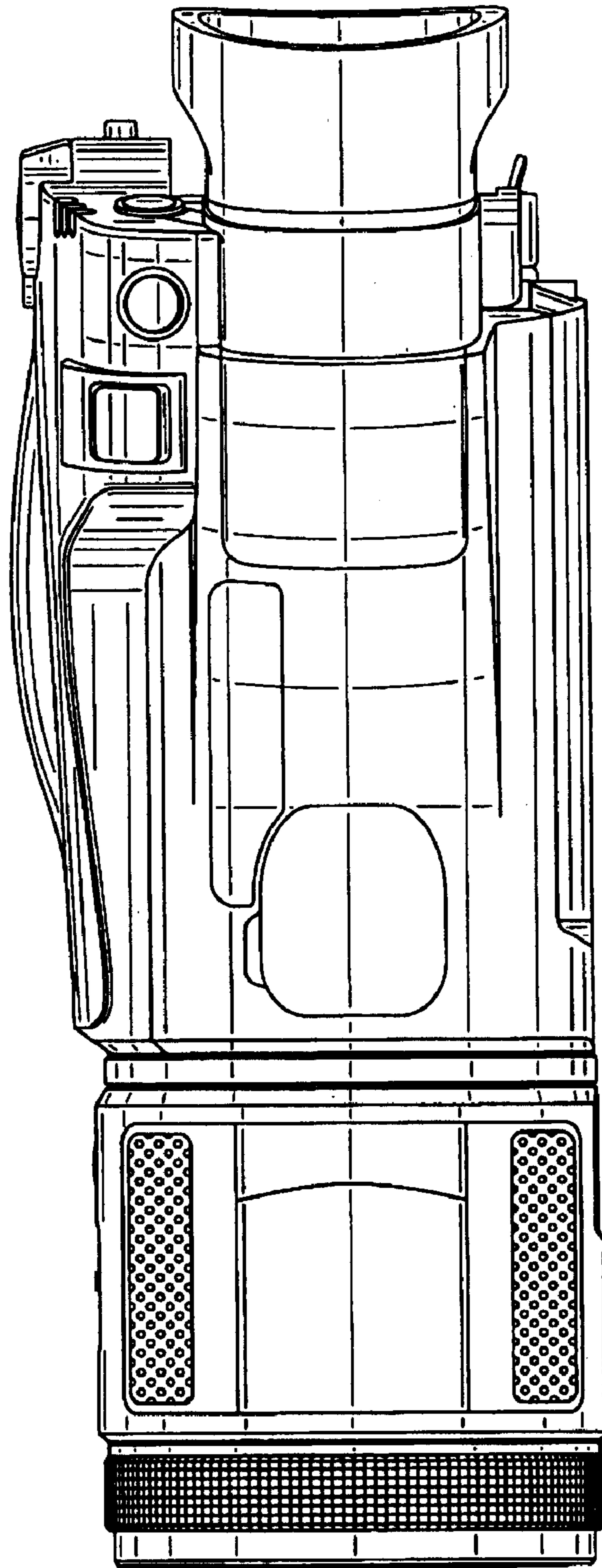


Fig.7

