



US00D541323S

(12) **United States Design Patent**
Tseng

(10) **Patent No.:** **US D541,323 S**

(45) **Date of Patent:** **** Apr. 24, 2007**

(54) **EXTRACTOR DEVICE**

(75) Inventor: **Tien-Tsai Tseng**, Taichung Hsien (TW)

(73) Assignee: **Chuan Jiing Enterprises Co., Ltd.**,
Taichung Hsien (TW)

(**) Term: **14 Years**

(21) Appl. No.: **29/233,310**

(22) Filed: **Jul. 1, 2005**

(51) **LOC (8) Cl.** **15-09**

(52) **U.S. Cl.** **D15/150**

(58) **Field of Classification Search** D15/150-152;
137/565.25; 141/21, 25, 26, 41, 44, 137,
141/309, 565.25; 184/28; 210/146, 237, 251,
210/292, 328, 360.1, 365, 367, 368, 380.2,
210/381, 416.5, 671, 693, 922; 220/571,
220/571.1; 417/199.1

See application file for complete search history.

(56) **References Cited**

U.S. PATENT DOCUMENTS

D224,043 S *	6/1972	Billos	D15/152
5,450,924 A *	9/1995	Tseng	184/28
5,750,021 A *	5/1998	Liang	210/146
6,357,492 B1 *	3/2002	Hsu	141/26

6,848,584 B2 * 2/2005 Weigelt et al. 210/237

* cited by examiner

Primary Examiner—Antoine D. Davis

Assistant Examiner—Patricia Palasik

(74) *Attorney, Agent, or Firm*—Rabin & Berdo, P.C.

(57) **CLAIM**

The ornamental design for an extractor device, as shown and described.

DESCRIPTION

FIG. 1 is a perspective view of an extractor device, showing my new design;

FIG. 2 is a front view thereof;

FIG. 3 is a rear view thereof;

FIG. 4 is a left view thereof;

FIG. 5 is a right view thereof;

FIG. 6 is top view thereof;

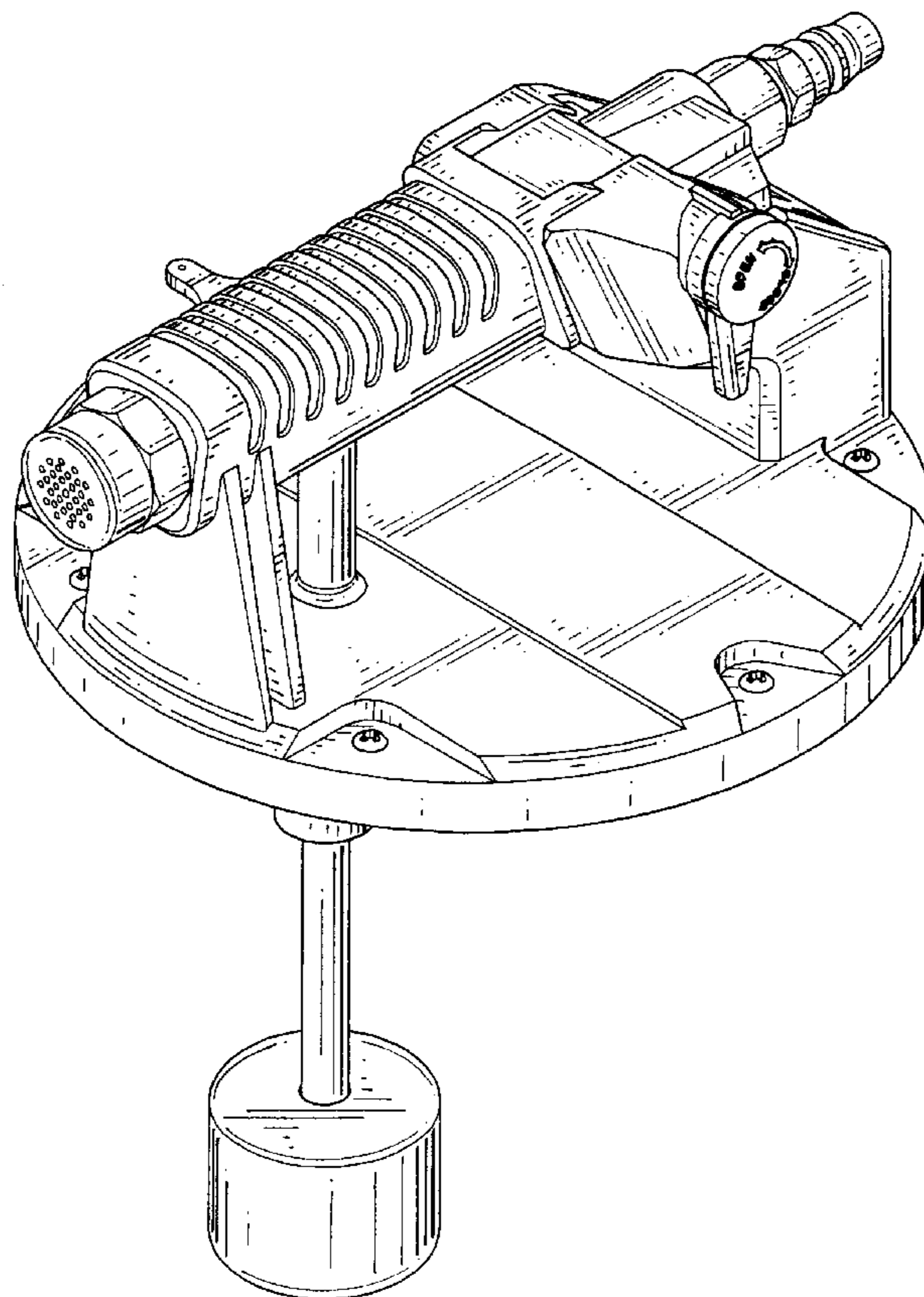
FIG. 7 is a bottom view thereof;

FIG. 8 is an operational perspective view showing the claimed design in FIG. 1; and,

FIG. 9 is an operational perspective view showing the claimed design in FIG. 1.

The broken line showing in FIGS. 8 and 9 of the extractor basket is included for the purpose of illustrating environmental structure and forms no part of the claimed design.

1 Claim, 7 Drawing Sheets



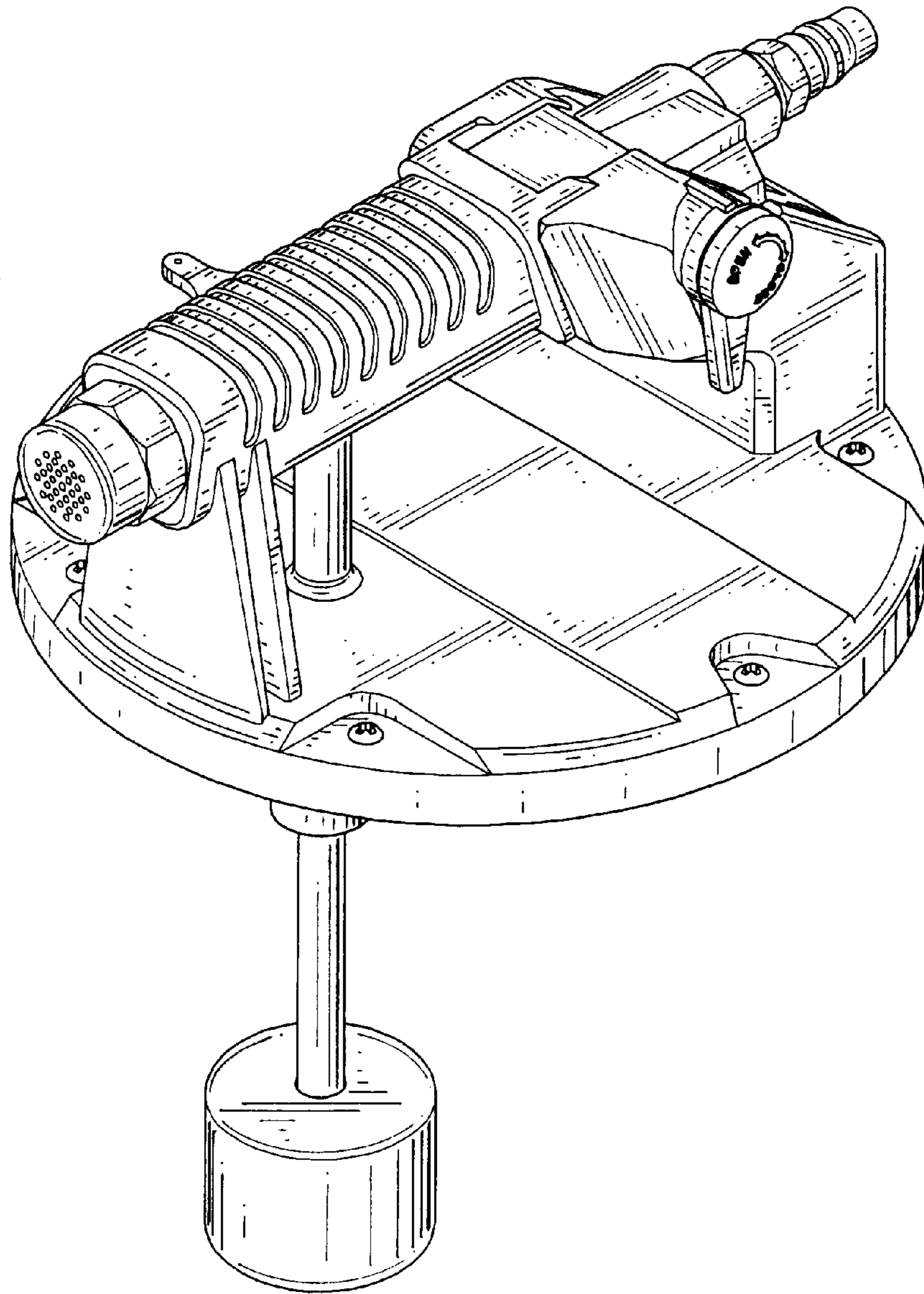
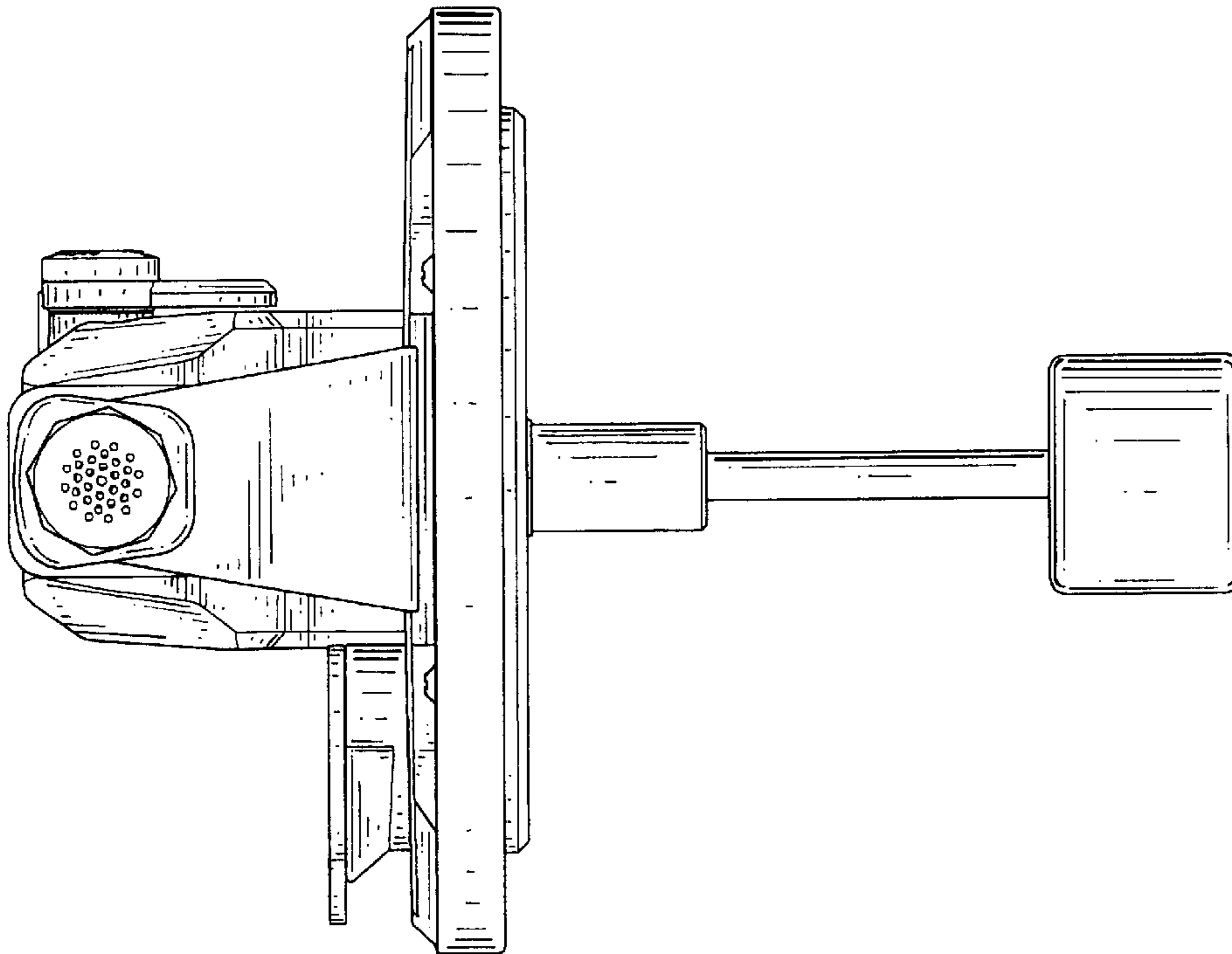
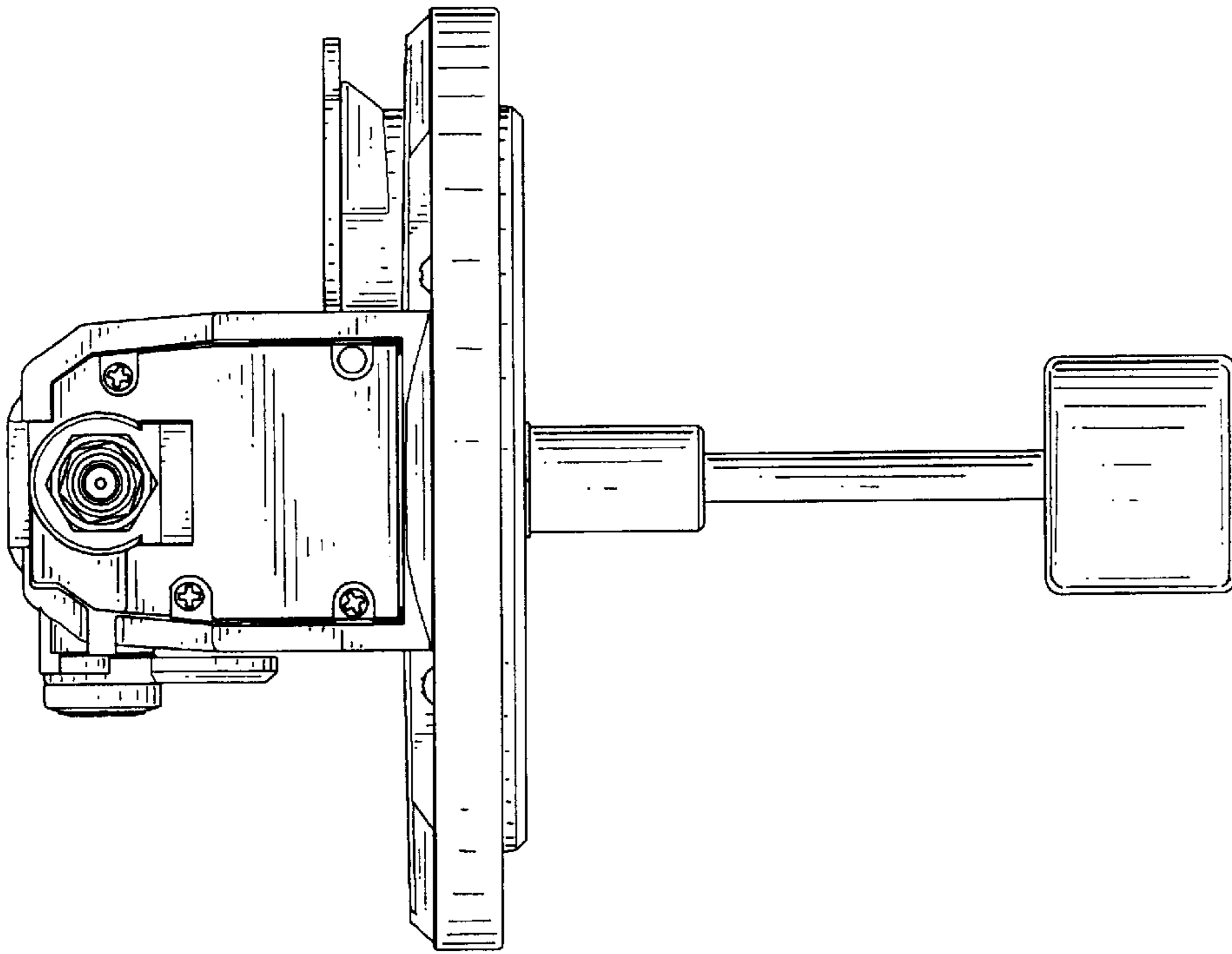


FIG.1



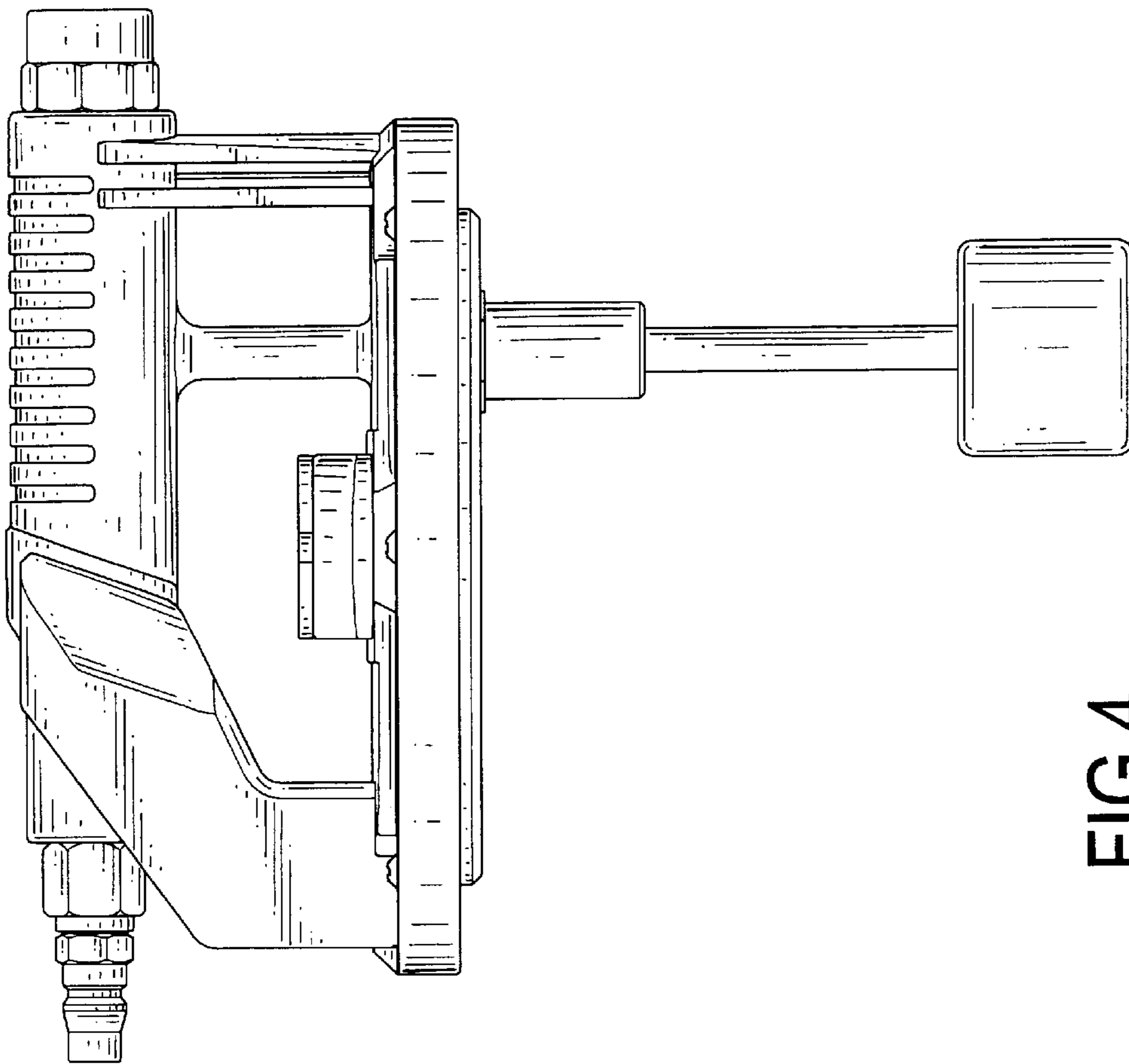


FIG.4

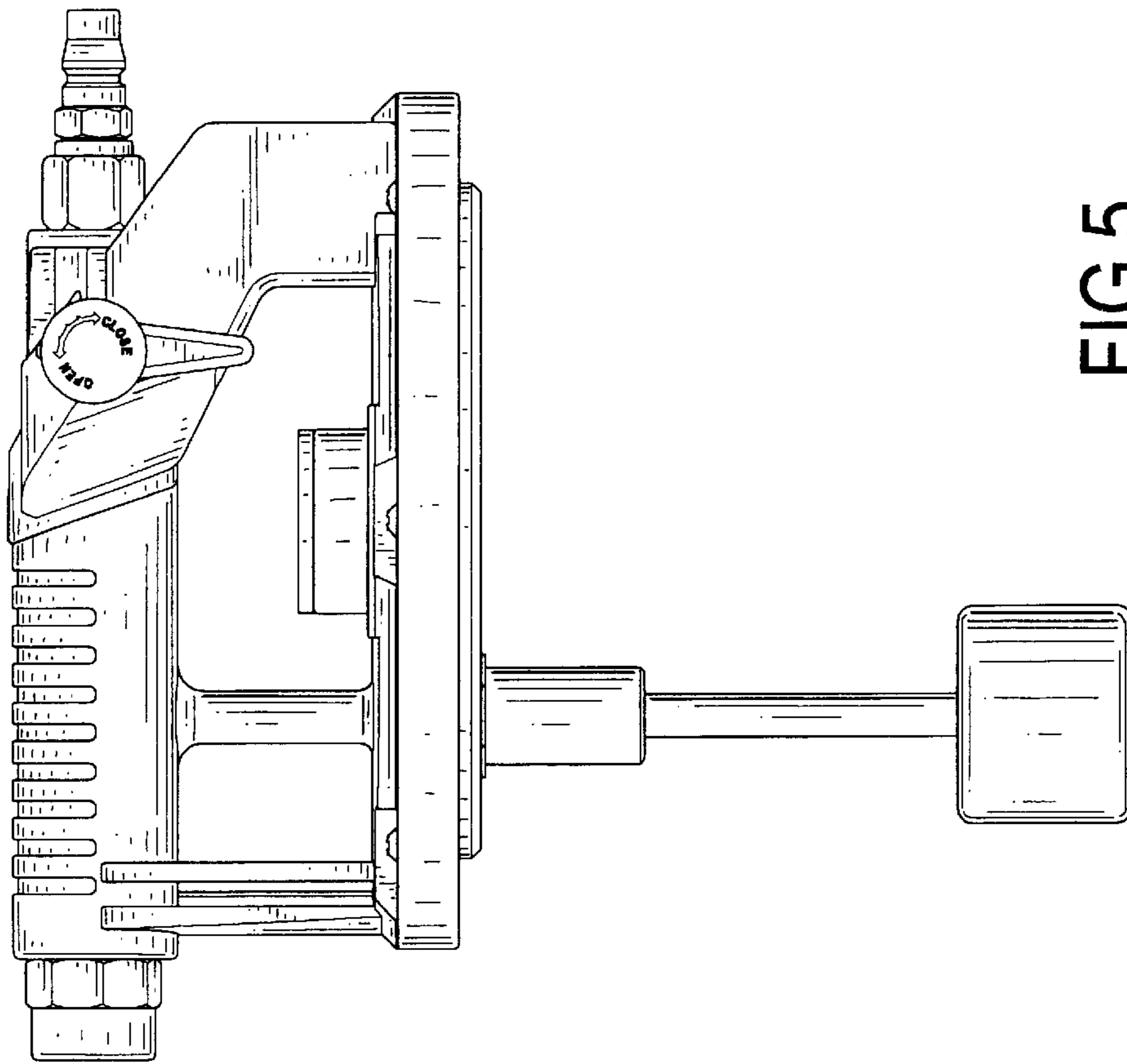


FIG.5

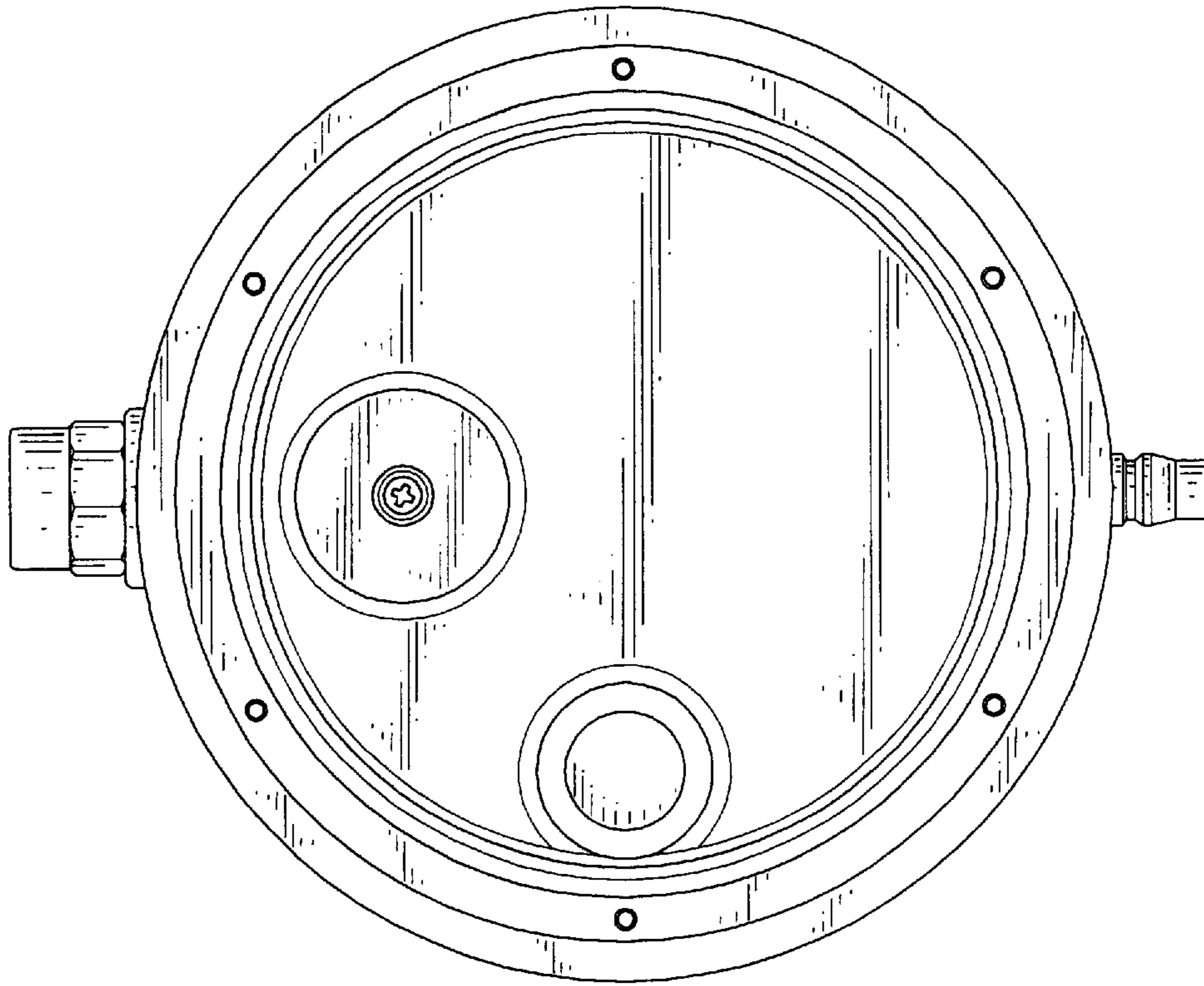


FIG. 7

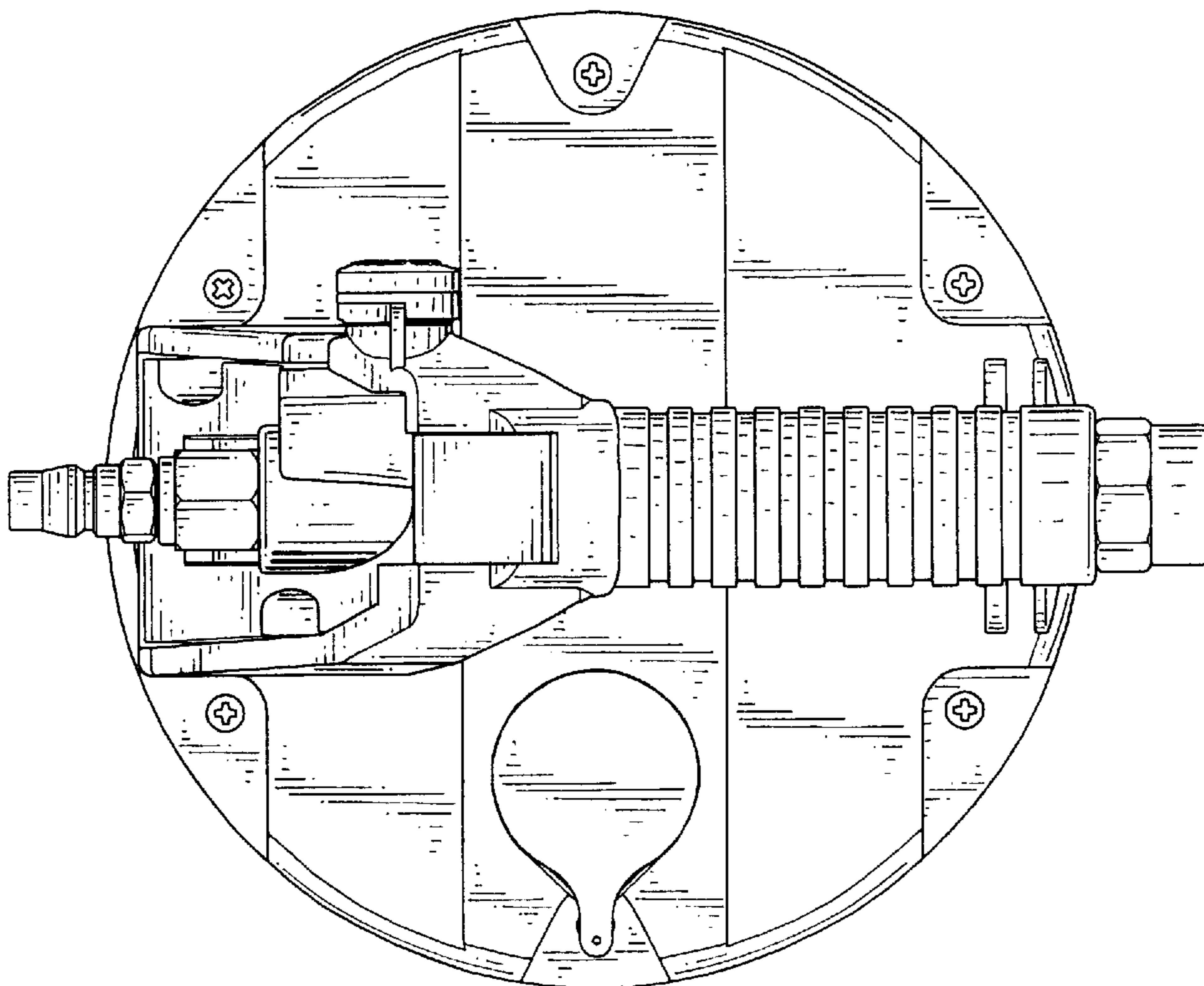


FIG. 6

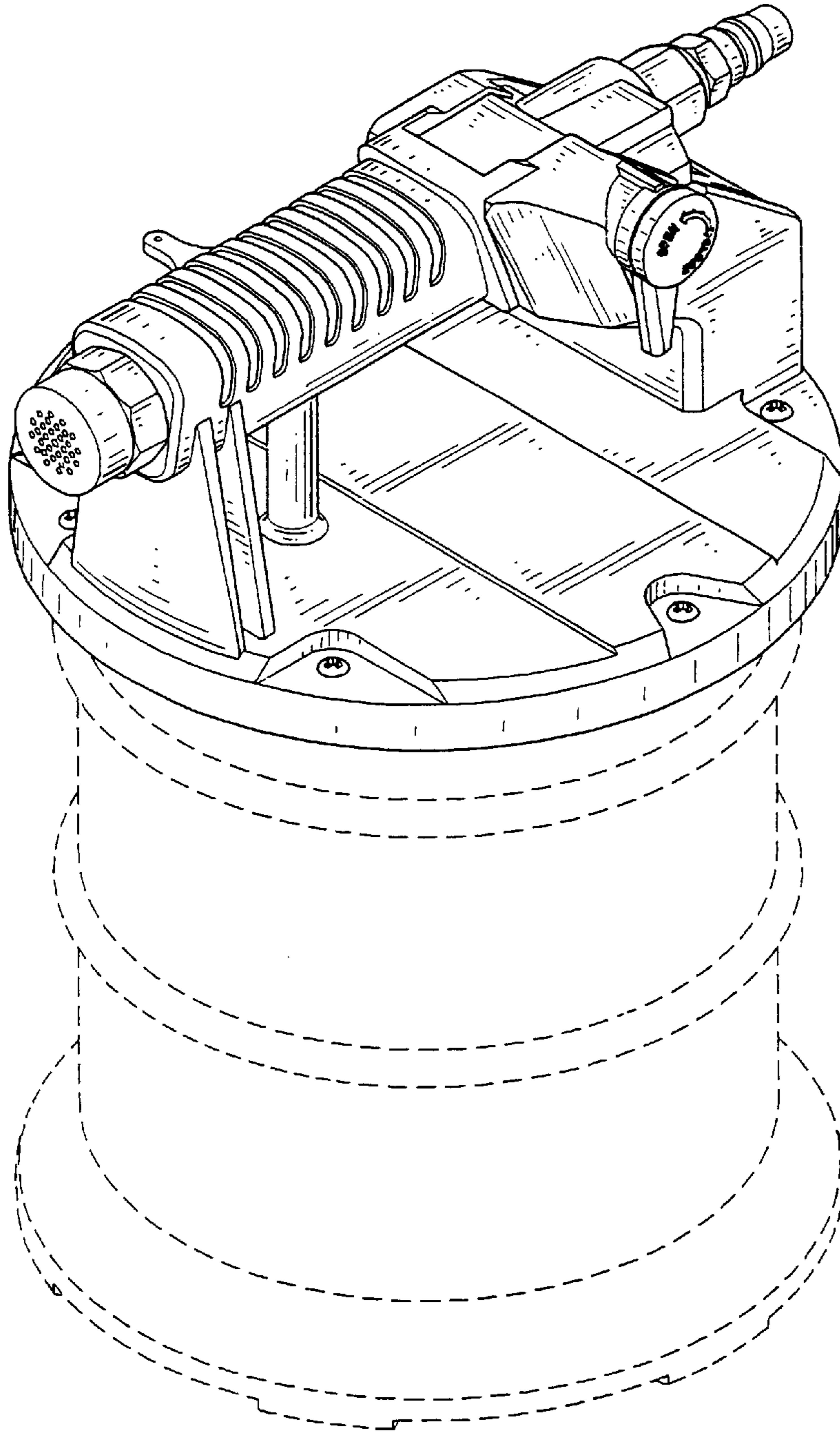


FIG.8

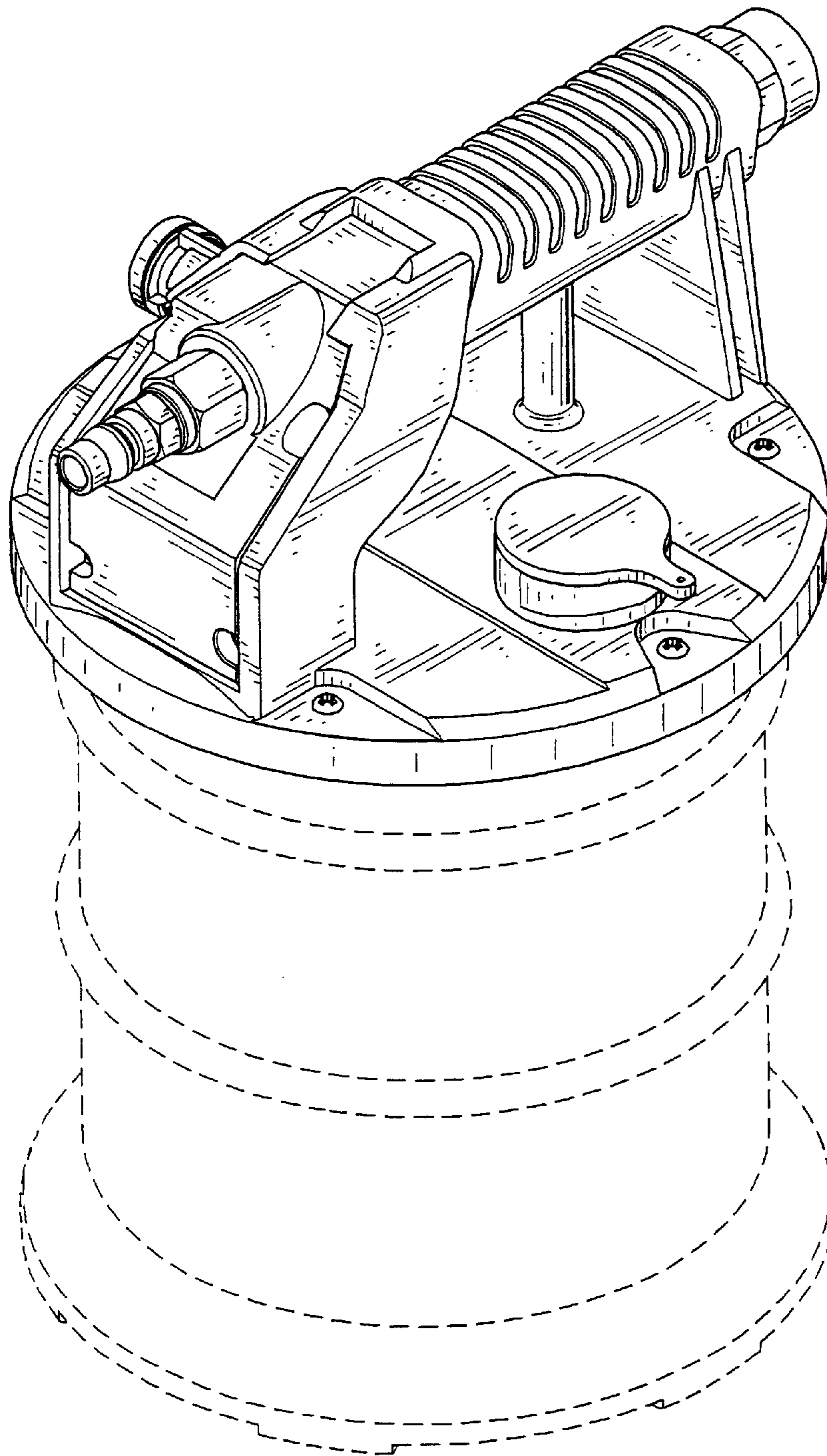


FIG.9