

US00D541320S

(12) **United States Design Patent**  
**Sjöo et al.**

(10) **Patent No.:** **US D541,320 S**  
(45) **Date of Patent:** **\*\* Apr. 24, 2007**

(54) **COMBINATION TOOL FOR CHIP FORMING MACHINING**

(75) Inventors: **Sture Sjöo**, Gävle (SE); **Ronnie Sikström**, Sandviken (SE)

(73) Assignee: **Sandvik Intellectual Property AB**, Sandviken (SE)

(\*\*) Term: **14 Years**

(21) Appl. No.: **29/263,098**

(22) Filed: **Jul. 17, 2006**

**Related U.S. Application Data**

(63) Continuation of application No. 29/219,628, filed on Dec. 21, 2004, now abandoned.

(30) **Foreign Application Priority Data**

Jun. 21, 2004 (SE) ..... 04-0475

(51) **LOC (8) Cl.** ..... **15-09**

(52) **U.S. Cl.** ..... **D15/139**

(58) **Field of Classification Search** ..... D15/138, D15/139; 407/25, 30, 34-39, 43, 48, 53, 407/55, 56, 61, 97-100, 113, 114; 408/56, 408/59, 204, 206, 207, 240

See application file for complete search history.

(56) **References Cited**

**U.S. PATENT DOCUMENTS**

4,411,564 A \* 10/1983 Johnson ..... 407/113

5,071,292 A \* 12/1991 Satran ..... 407/113  
5,984,592 A \* 11/1999 Harper et al. .... 407/34  
D475,379 S \* 6/2003 Sikstrom et al. .... D15/139  
6,579,043 B2 \* 6/2003 Erickson et al. .... 407/35  
6,840,716 B2 \* 1/2005 Morgulis et al. .... 407/34  
6,942,433 B2 \* 9/2005 Schleinkofer et al. .... 407/113  
2004/0005199 A1 \* 1/2004 Janness ..... 407/35  
2005/0152753 A1 \* 7/2005 DeRoche et al. .... 407/48  
2006/0210369 A1 \* 9/2006 Frejd et al. .... 407/36

\* cited by examiner

*Primary Examiner*—Antoine D. Davis

*Assistant Examiner*—Patricia Palasik

(74) *Attorney, Agent, or Firm*—Drinker Biddle & Reath LLP

(57) **CLAIM**

The ornamental design for a combination tool for chip forming machining, as shown and described.

**DESCRIPTION**

FIG. 1 is a front, top perspective view of a combination tool for chip forming machining showing our new design.

FIG. 2 is a side elevational view thereof.

FIG. 3 is a top view thereof.

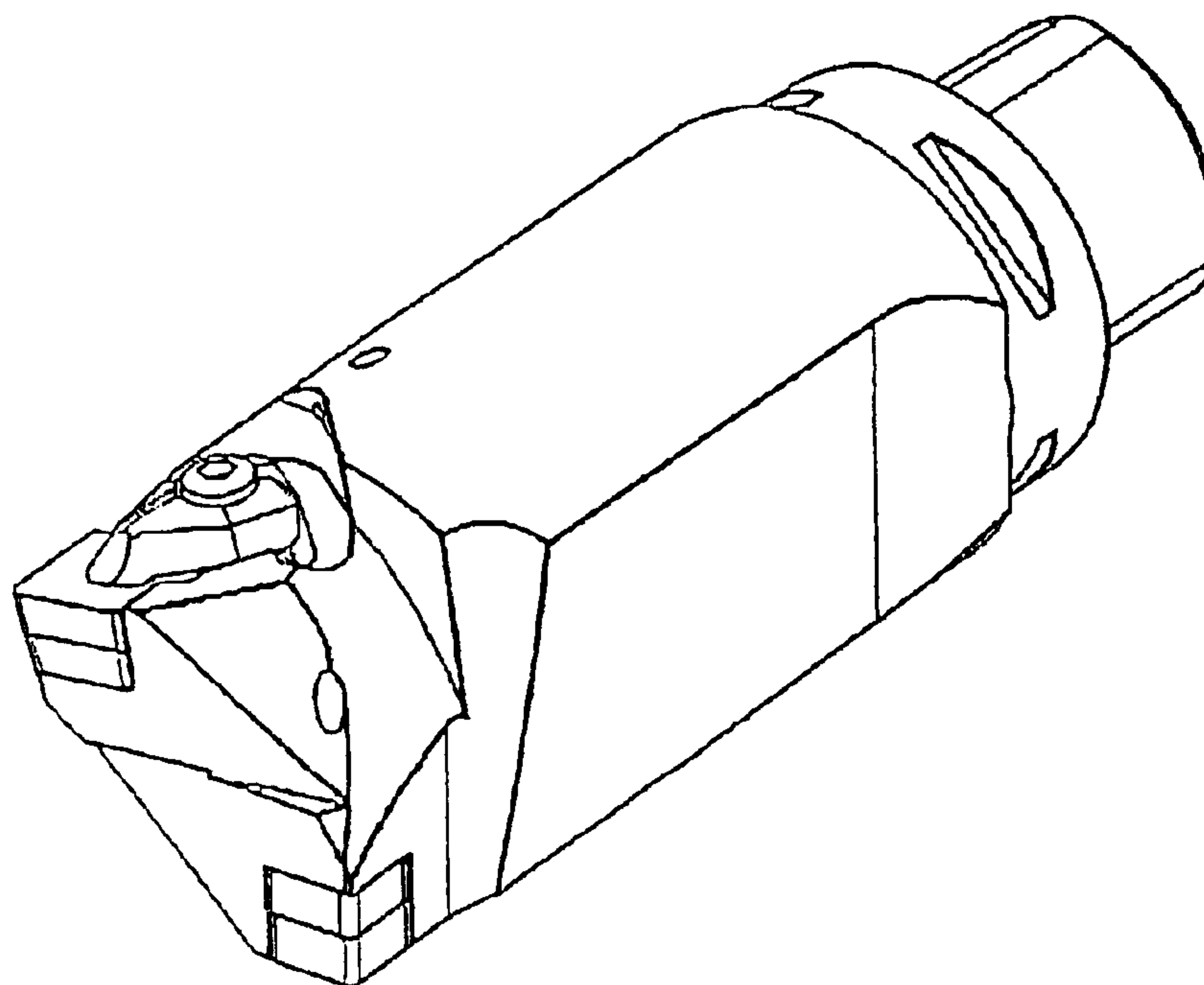
FIG. 4 is a side elevational view thereof.

FIG. 5 is a bottom view thereof.

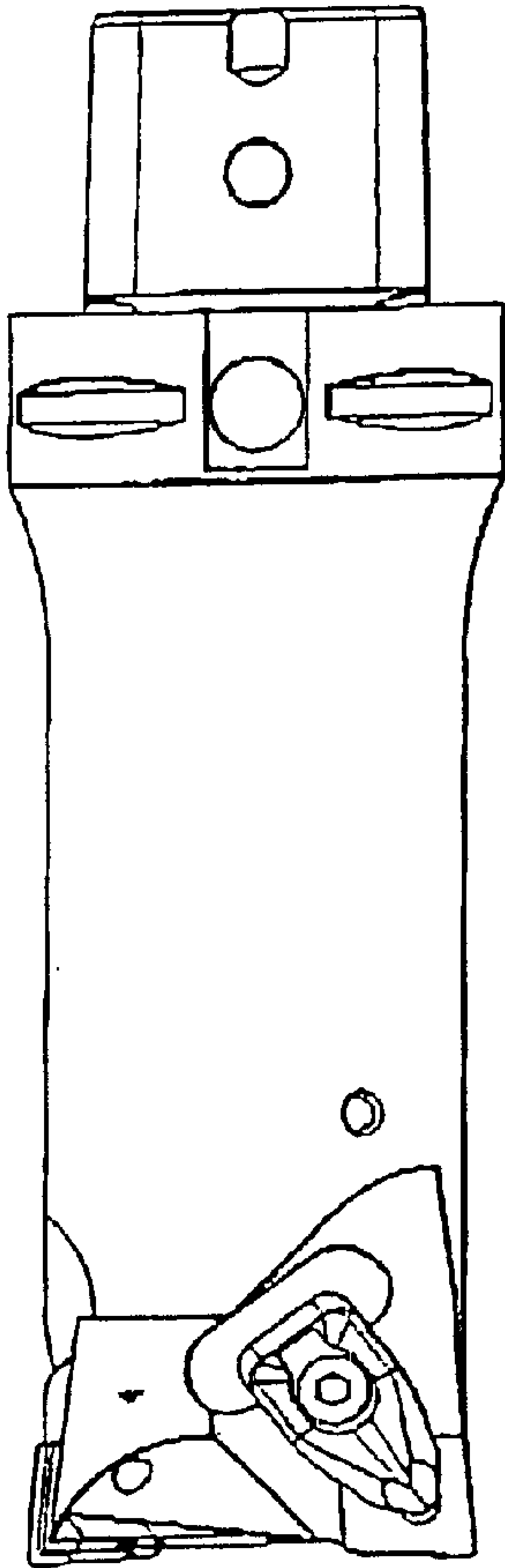
FIG. 6 is a rear plan view thereof; and,

FIG. 7 is a front plan view thereof.

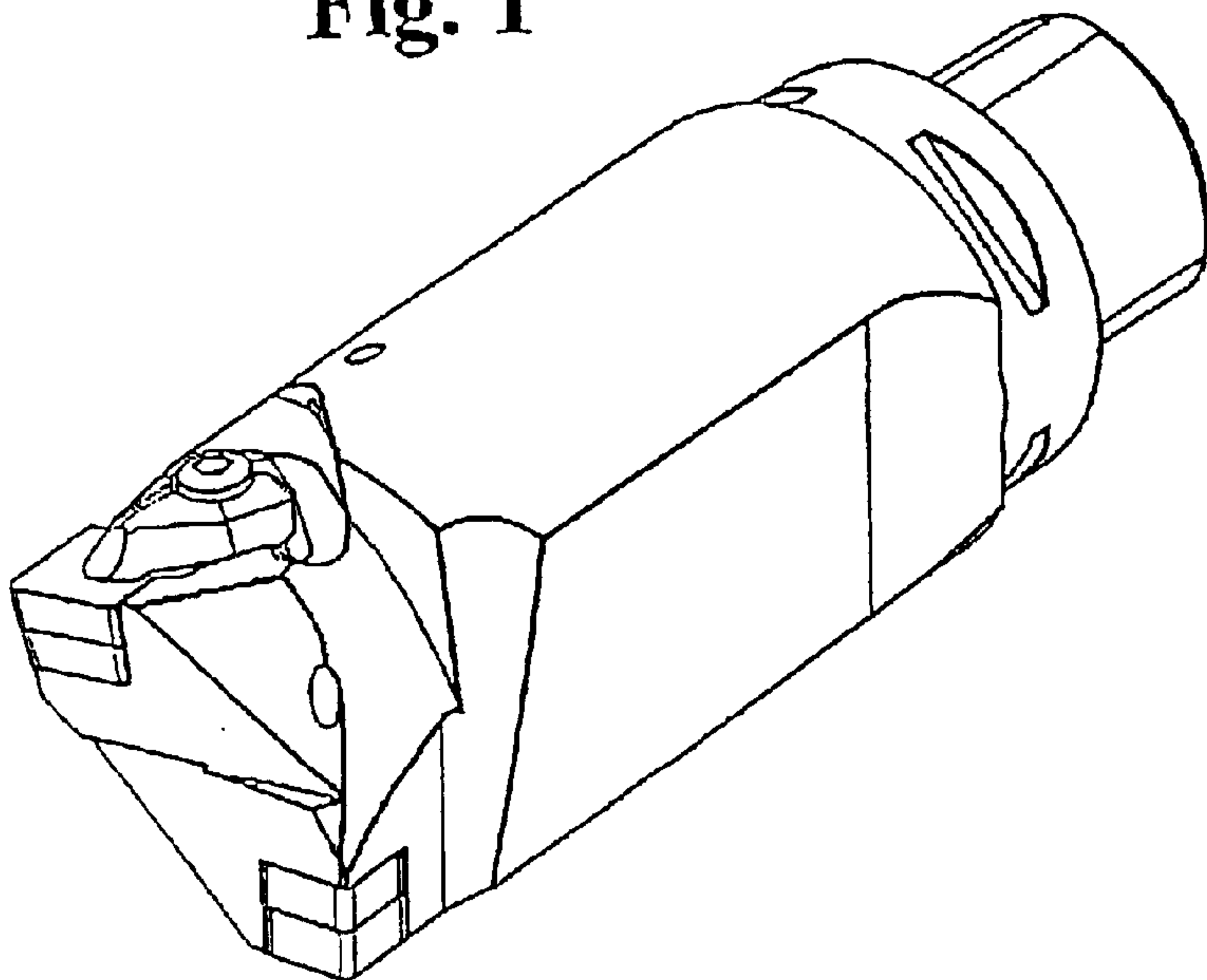
**1 Claim, 2 Drawing Sheets**



**Fig. 2**



**Fig. 1**



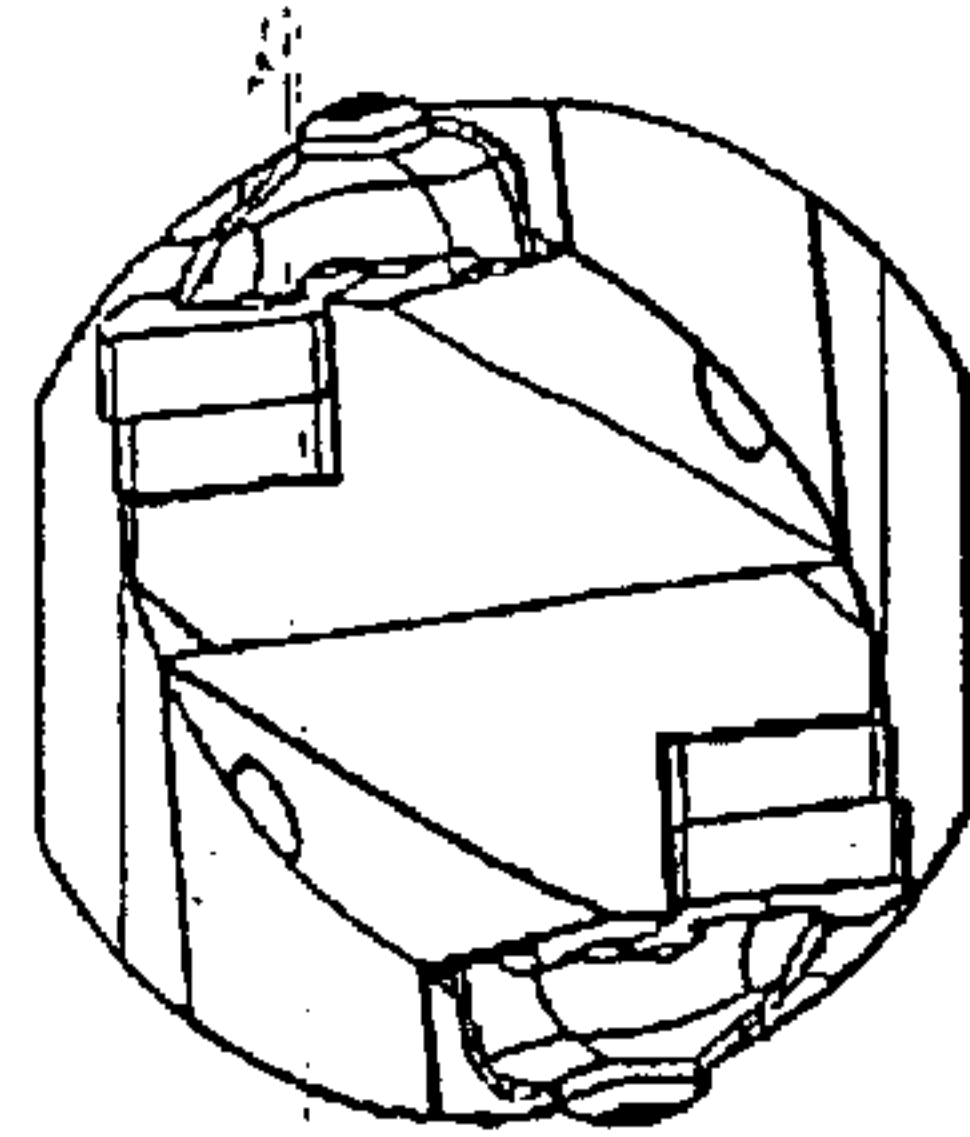


Fig. 7

Fig. 3

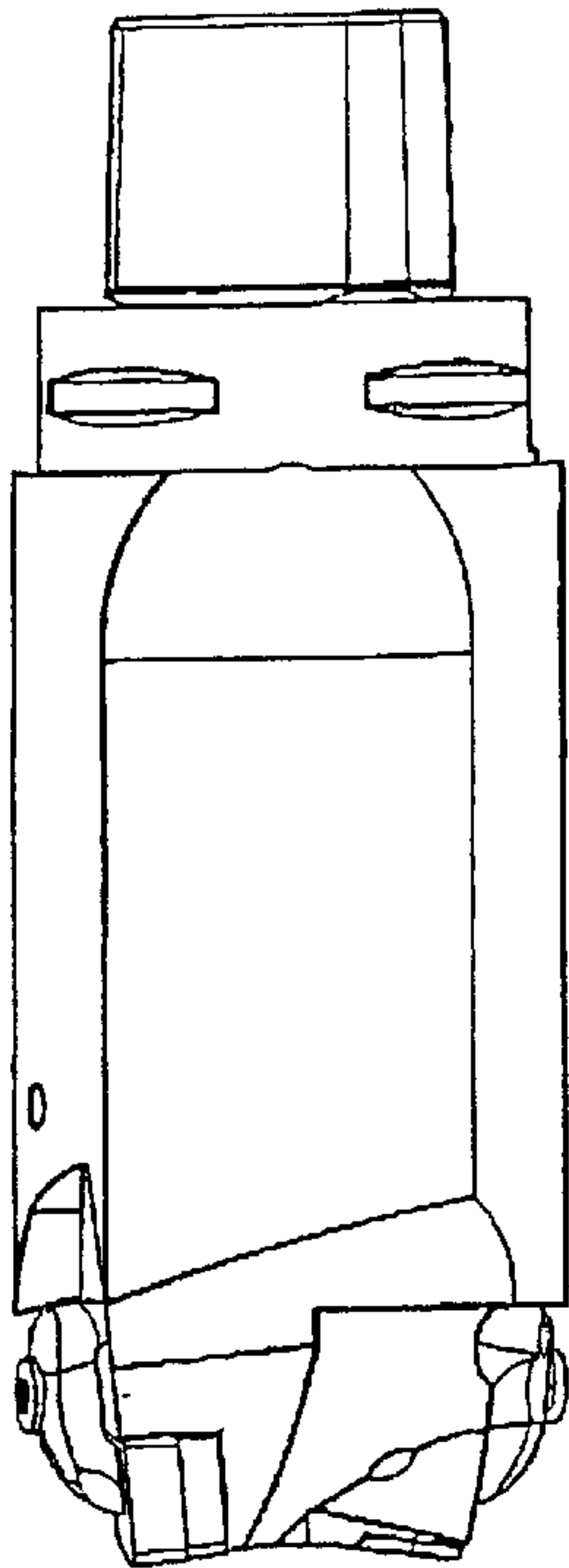


Fig. 4

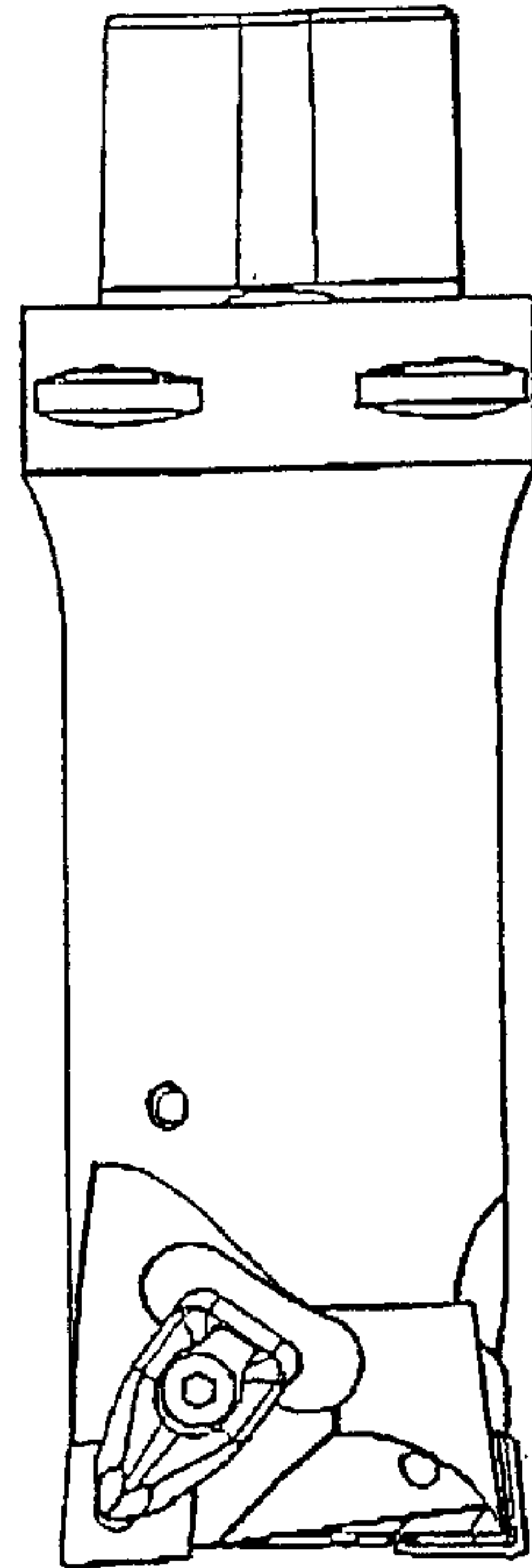


Fig. 5

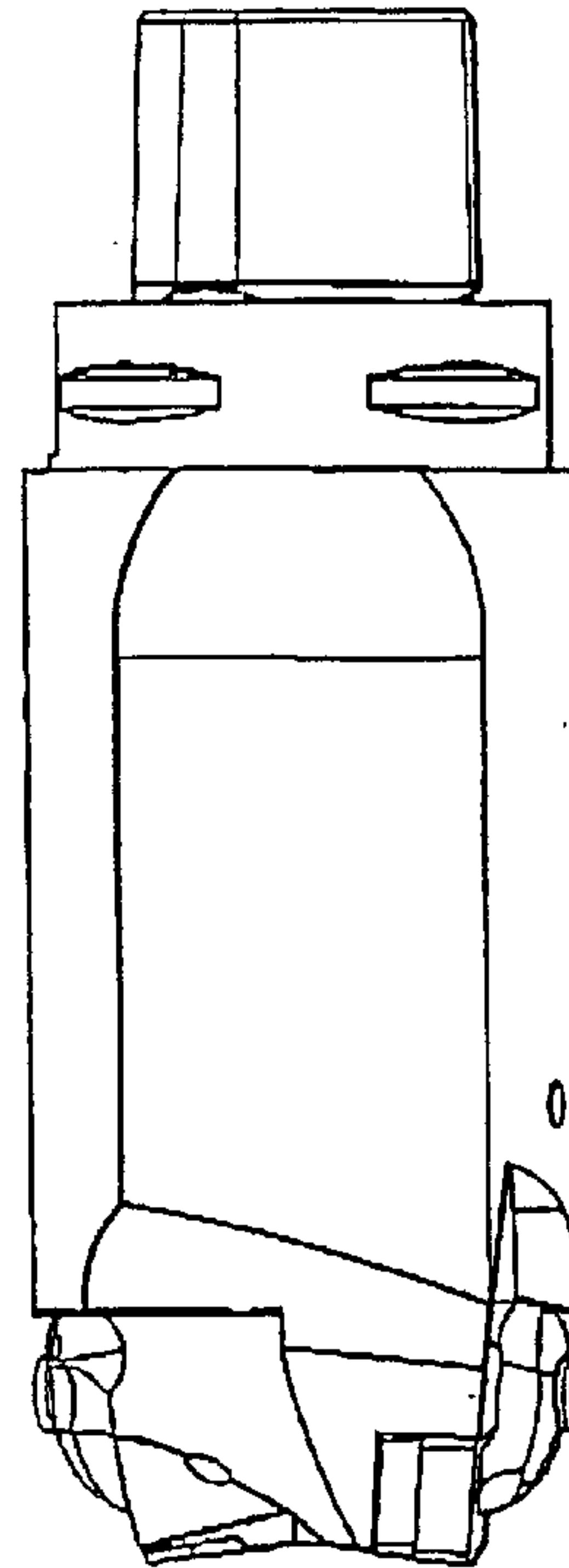


Fig. 6

