



US00D541319S

(12) **United States Design Patent** (10) **Patent No.:** **US D541,319 S**
Etter et al. (45) **Date of Patent:** **** Apr. 24, 2007**

(54) **DRILL PRESS**

(75) Inventors: **Mark A. Etter**, Independence, MO
(US); **Jeremy D. Leasure**, Jackson, TN
(US)

(73) Assignee: **Black & Decker Inc.**, Newark, DE
(US)

(**) **Term:** **14 Years**

(21) Appl. No.: **29/252,513**

(22) Filed: **Jan. 24, 2006**

(51) **LOC (8) Cl.** **15-09**

(52) **U.S. Cl.** **D15/132**

(58) **Field of Classification Search** D15/132;
29/26 A, 27 R, 560; 144/1.1, 46, 253.2, 365;
408/20, 87, 91, 103, 110, 129, 135, 140, 220,
408/227

See application file for complete search history.

D497,622 S 10/2004 Theising et al.
2003/0021644 A1 * 1/2003 Chen 408/87
2004/0047697 A1 * 3/2004 Cheng 408/67
2006/0104731 A1 * 5/2006 Etter et al. 408/16
2006/0104733 A1 * 5/2006 Carroll et al. 408/136

FOREIGN PATENT DOCUMENTS

DE	M 89 01 967	3/1989
DE	M 90 05 305	8/1990
DE	M 90 07 529	11/1990
DE	M 91 05 975	8/1991
DE	M 92 02 327	3/1992
DE	M 92 05 831	8/1992
DE	M 93 02 737	4/1993
DE	M 93 05 468	7/1993
DE	M 93 06 948	9/1993
DE	M 96 09 240	10/1996
DE	M 96 09 312	10/1996
DE	401 10 280	11/2001
DE	402 10 043	11/2002
DE	403 01 324	2/2003
DE	40503250	6/2005
WO	DM/013 780	6/1989
WO	DM/041 356	9/1997

* cited by examiner

Primary Examiner—Antoine D. Davis
Assistant Examiner—Patricia Palasik
(74) *Attorney, Agent, or Firm*—Mehul R. Jani; Adan Ayala

(56) **References Cited**

U.S. PATENT DOCUMENTS

2,463,214 A	3/1949	Stoner	
3,314,312 A *	4/1967	Niehaus, Jr. et al.	408/129
D278,440 S	4/1985	Ferdinand et al.	
D280,626 S *	9/1985	Chen	D15/132
D285,797 S	9/1986	Arehart	
5,102,270 A	4/1992	Warren	
D330,558 S *	10/1992	Chang	D15/132
D331,246 S	11/1992	Chen	
5,318,392 A *	6/1994	Svetlik et al.	408/103
5,639,192 A *	6/1997	Chen	408/110
D386,192 S *	11/1997	Chen	D15/132
D392,653 S	3/1998	Lin	
D393,648 S *	4/1998	Chen	D15/132
5,765,273 A *	6/1998	Mora et al.	29/560
D401,947 S	12/1998	Chen	
D412,509 S	8/1999	Chen et al.	
5,960,531 A	10/1999	Mora et al.	
5,980,167 A *	11/1999	Chen	408/87
D465,501 S	11/2002	Zhang et al.	
D493,182 S	7/2004	Hosking	

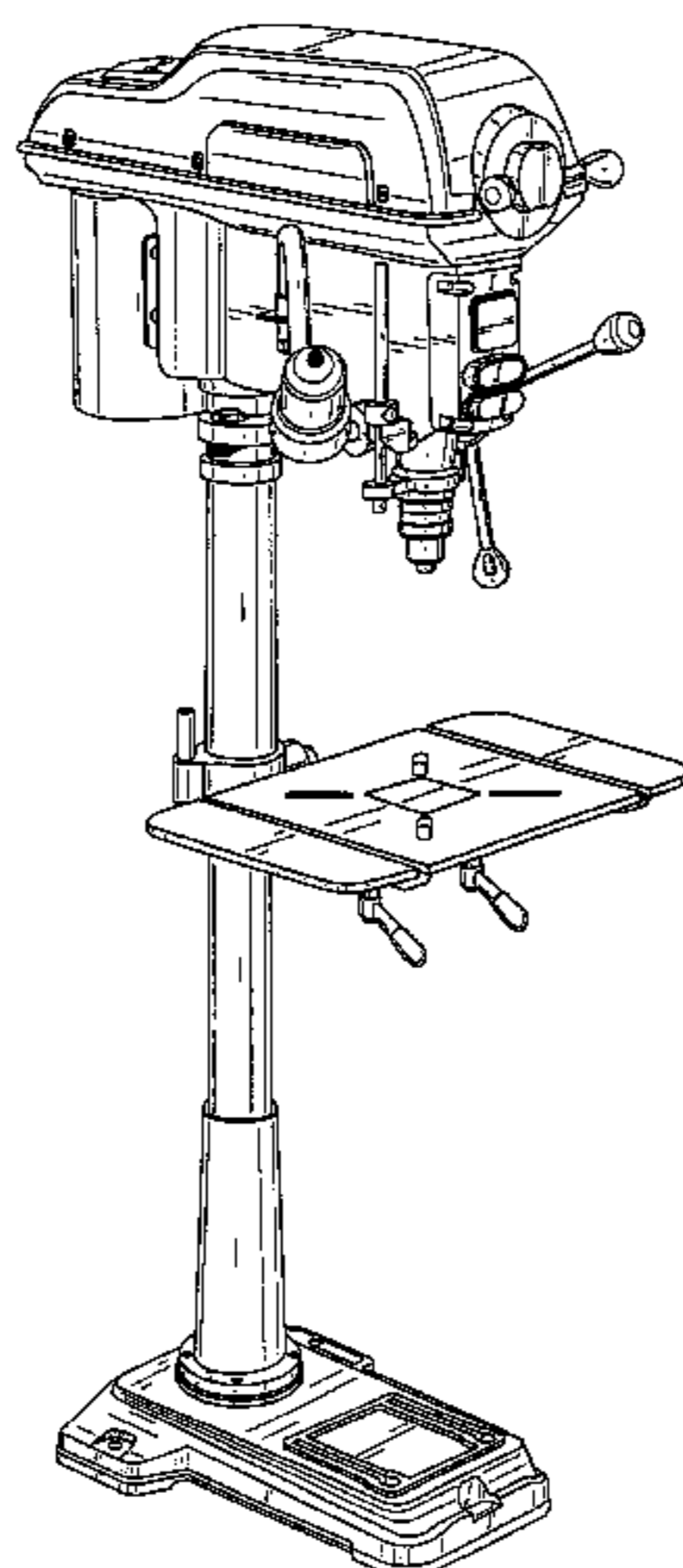
(57) **CLAIM**

The ornamental design for a drill press, as shown and described.

DESCRIPTION

FIG. 1 is a perspective view of a drill press showing the new design.
FIG. 2 is a front view thereof.
FIG. 3 is a rear view thereof.
FIG. 4 is a right side view thereof.
FIG. 5 is a left side view thereof.
FIG. 6 is a top plan view thereof; and,
FIG. 7 is a bottom plan view thereof.

1 Claim, 6 Drawing Sheets



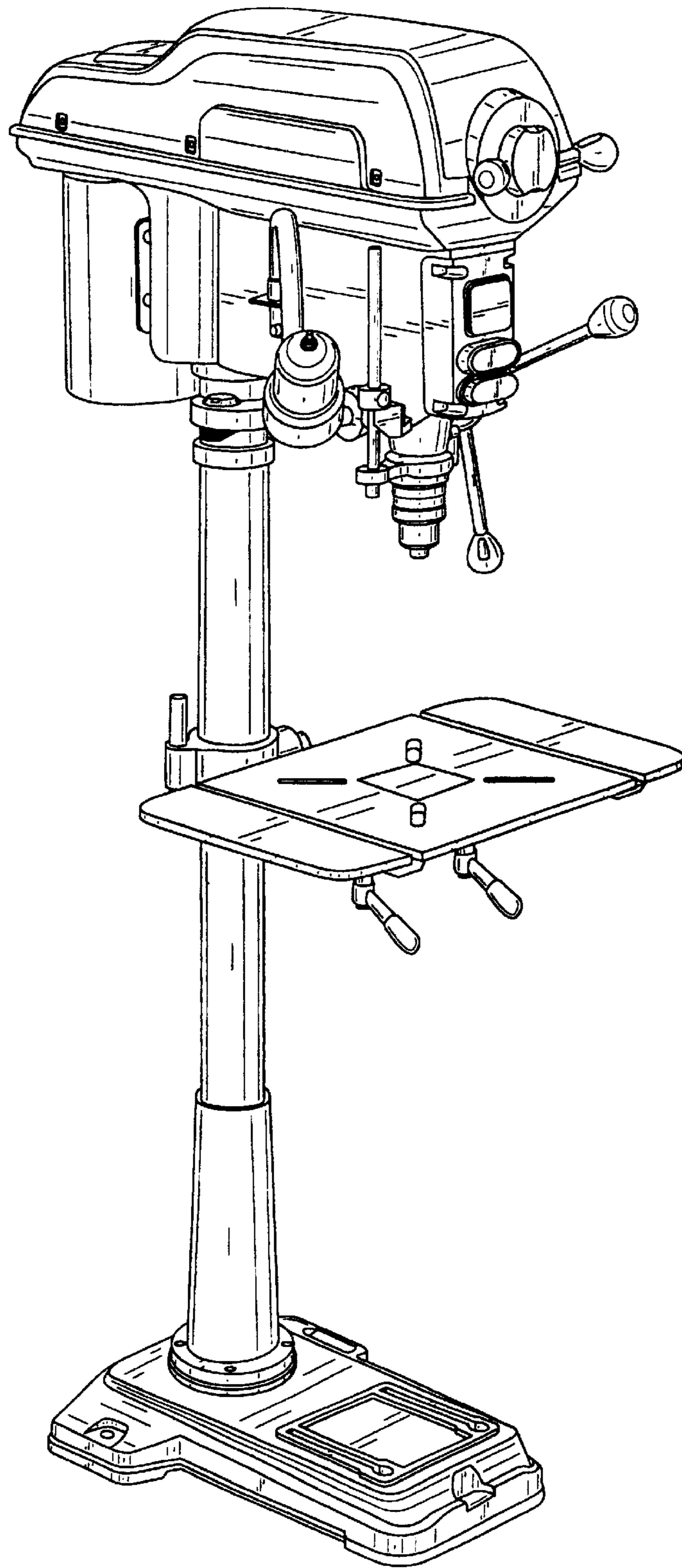


FIG. 1

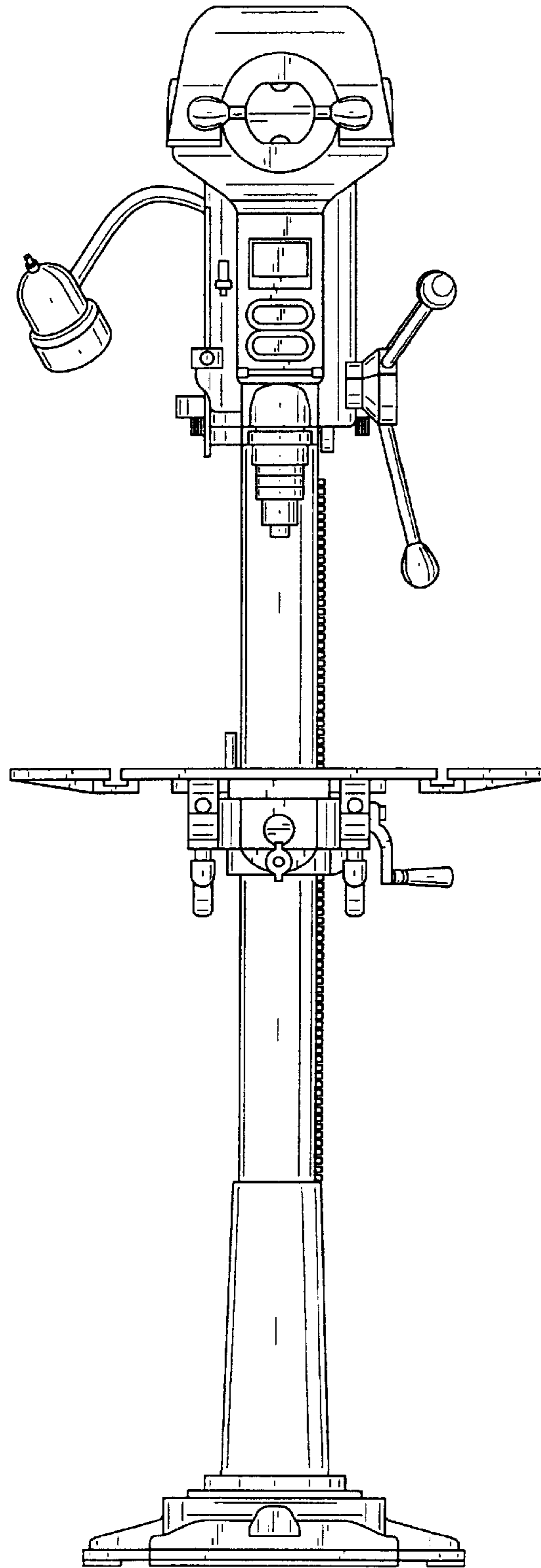


FIG. 2

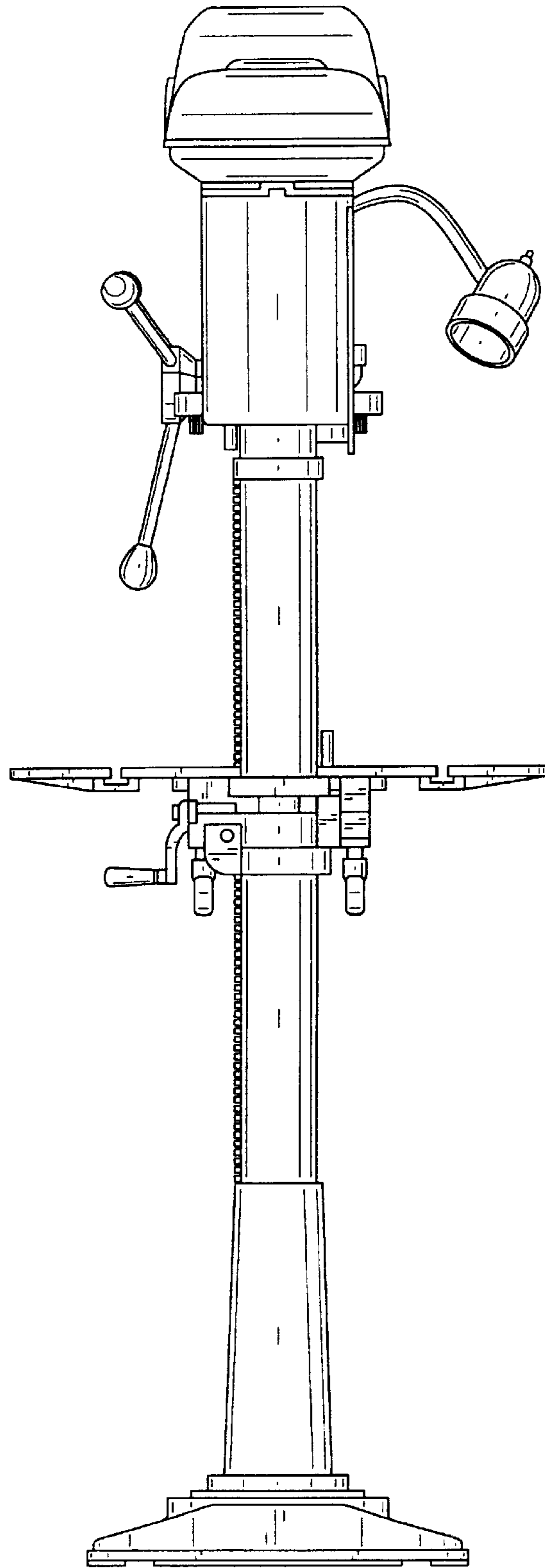


FIG. 3

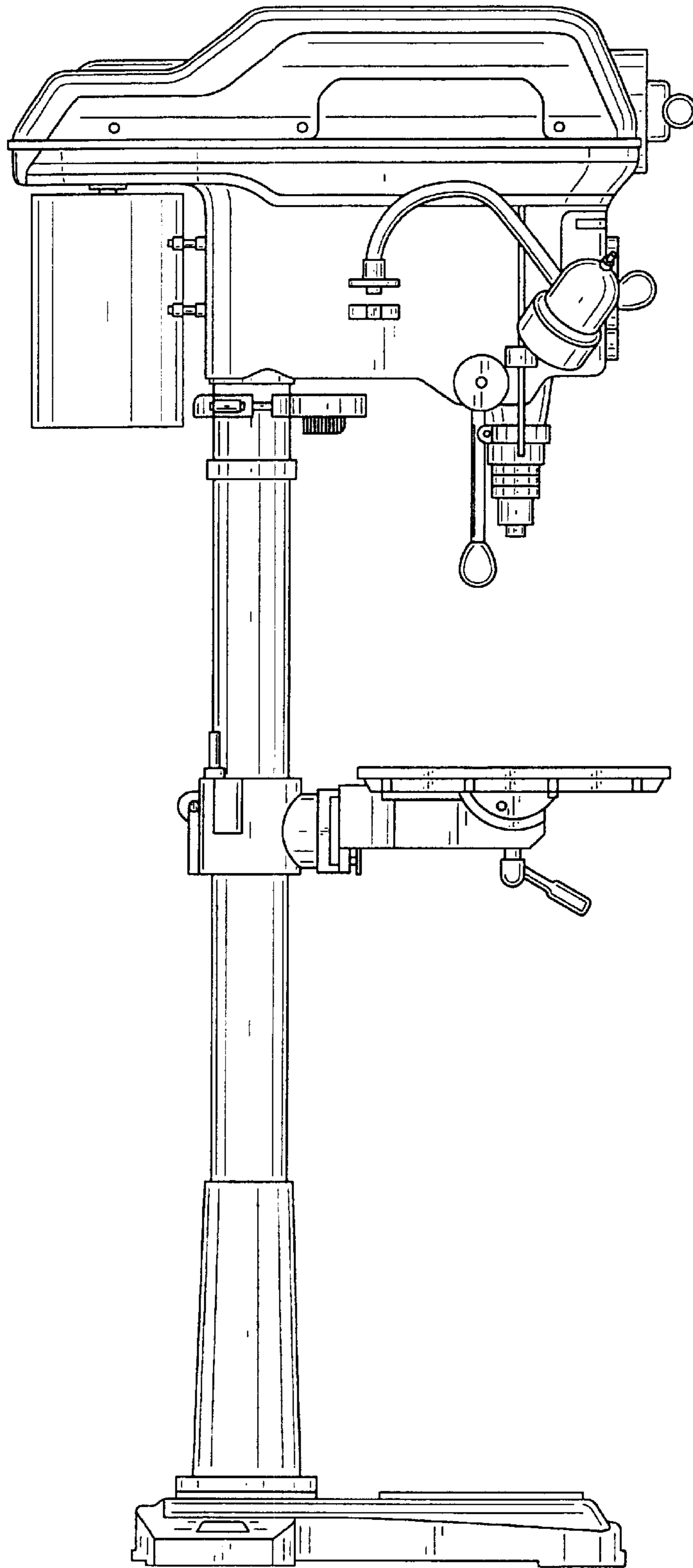


FIG. 4

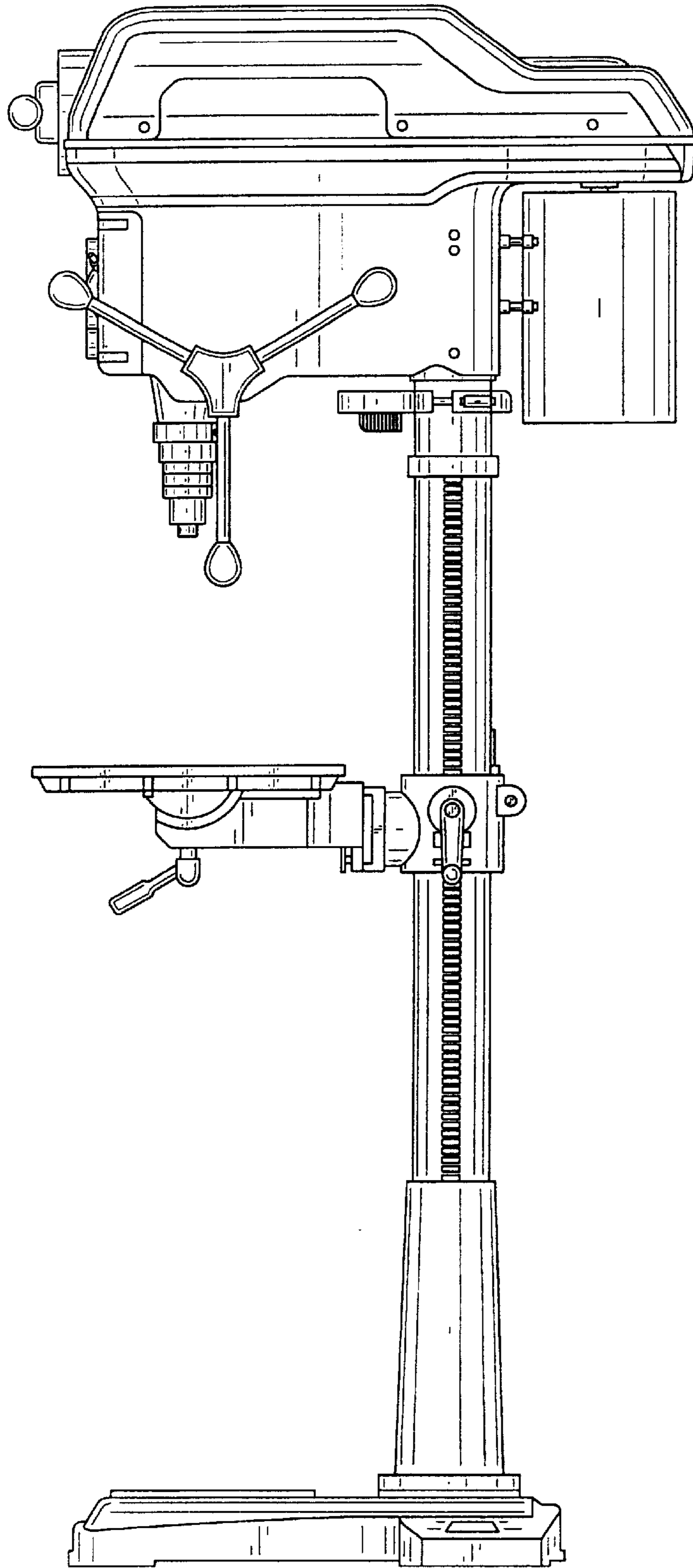


FIG. 5

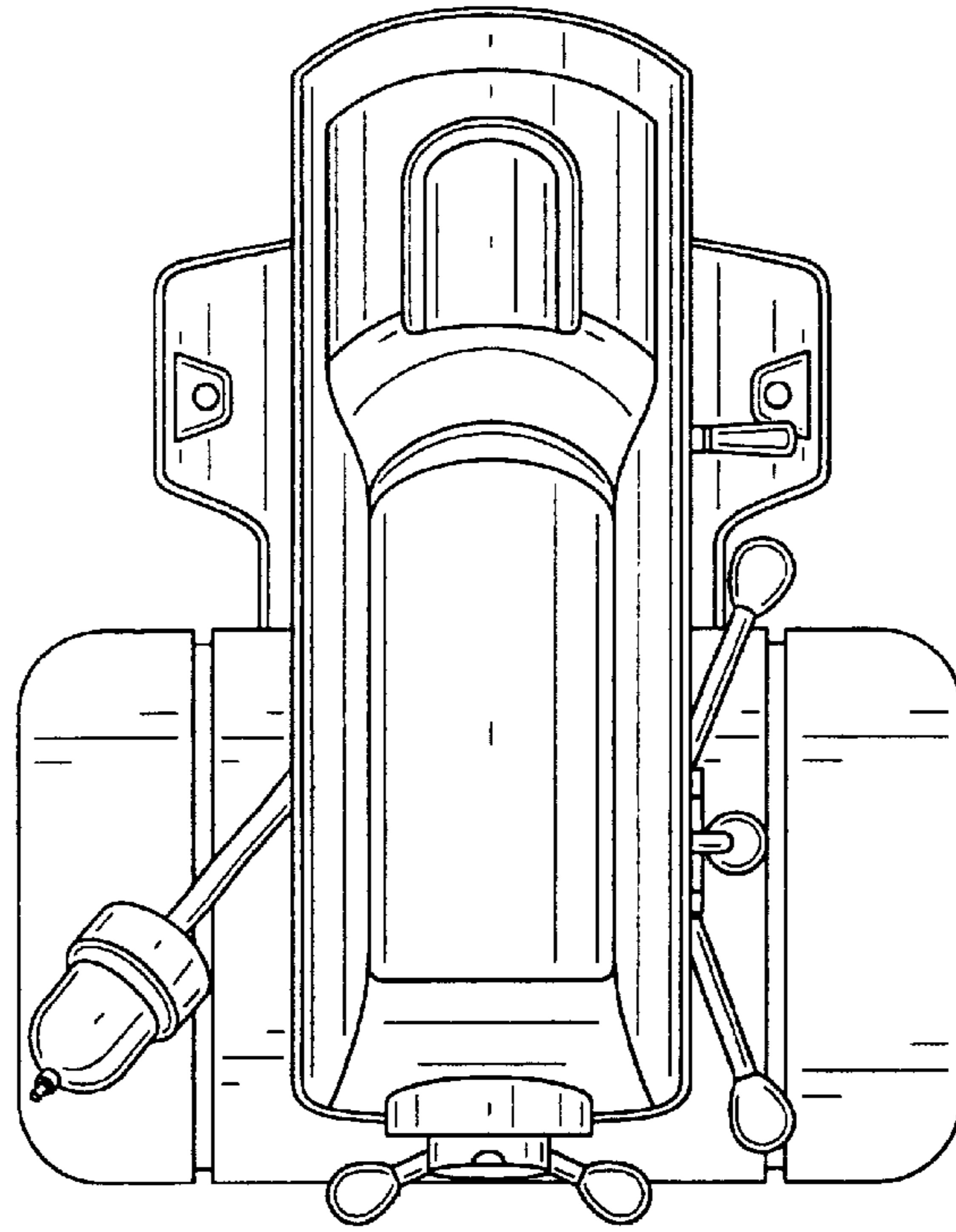


FIG. 6

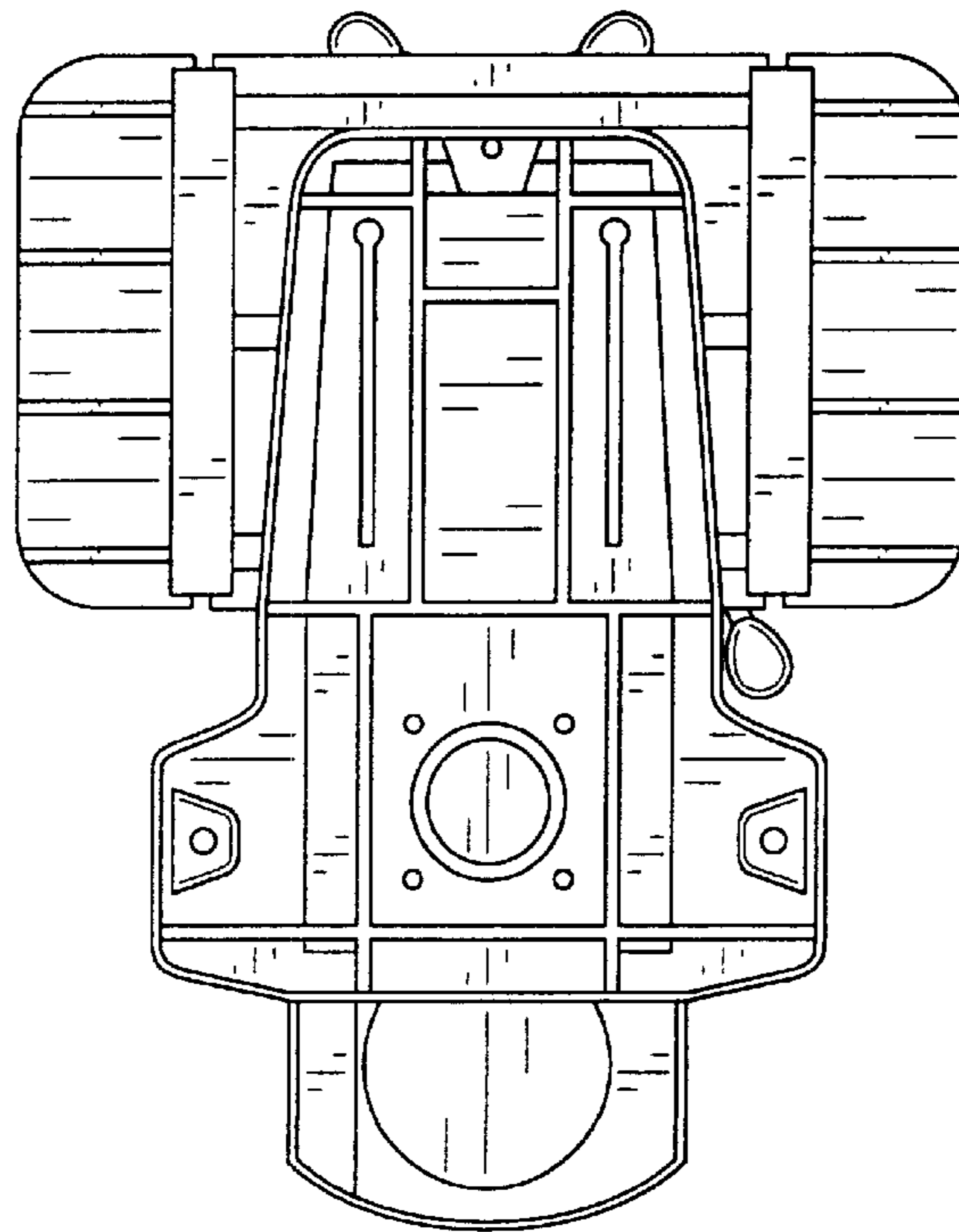


FIG. 7