

US00D541312S

(12) **United States Design Patent**  
**Arato**

(10) **Patent No.:** **US D541,312 S**

(45) **Date of Patent:** **\*\* Apr. 24, 2007**

(54) **PRODUCT DISPLAY HOUSING**

(75) Inventor: **Paul Arato**, Toronto (CA)

(73) Assignee: **QBD Cooling Systems Inc.** (CA)

(\*\*) Term: **14 Years**

(21) Appl. No.: **29/210,363**

(22) Filed: **Jul. 30, 2004**

(51) **LOC (8) Cl.** ..... **15-07**

(52) **U.S. Cl.** ..... **D15/81**

(58) **Field of Classification Search** ..... D15/79,  
D15/81, 83; D6/396, 397, 432, 436, 449,  
D6/470; 312/3.6, 116, 138.1, 236, 405, 406;  
62/125, 126

See application file for complete search history.

(56) **References Cited**

**U.S. PATENT DOCUMENTS**

2,735,739	A	*	2/1956	Patriarca	.....	312/31
3,542,445	A	*	11/1970	Donker	.....	312/116
D280,790	S	*	10/1985	Kooy	.....	D6/471
D305,672	S		1/1990	Corden et al.		
5,112,118	A	*	5/1992	Wiehle	.....	312/116
D355,995	S		3/1995	Stoddard et al.		
D365,828	S	*	1/1996	Lacewell et al.	.....	D15/87
D367,975	S		3/1996	Robertson et al.		
D368,396	S		4/1996	Bidwell		
D395,179	S		6/1998	Primiano et al.		
D421,757	S		3/2000	Volonterio		

D438,404	S	*	3/2001	Topper et al.	.....	D6/470
D440,432	S	*	4/2001	Topper et al.	.....	D6/471
D449,845	S		10/2001	Reese et al.		
D457,354	S		5/2002	Reese et al.		
D460,296	S		7/2002	Reese et al.		
D494,383	S	*	8/2004	Lee	.....	D6/436
D516,591	S	*	3/2006	Vanhoof	.....	D15/81

\* cited by examiner

*Primary Examiner*—Stella Reid

*Assistant Examiner*—Shanda C. Hill

(74) *Attorney, Agent, or Firm*—Stites & Harbison PLLC;  
Marvin Petry

(57) **CLAIM**

The ornamental design for a product display housing, as shown and described.

**DESCRIPTION**

FIG. 1 is a front view of a product display housing showing new design;

FIG. 2 is a left side view thereof;

FIG. 3 is a right side view thereof;

FIG. 4 is a rear view thereof;

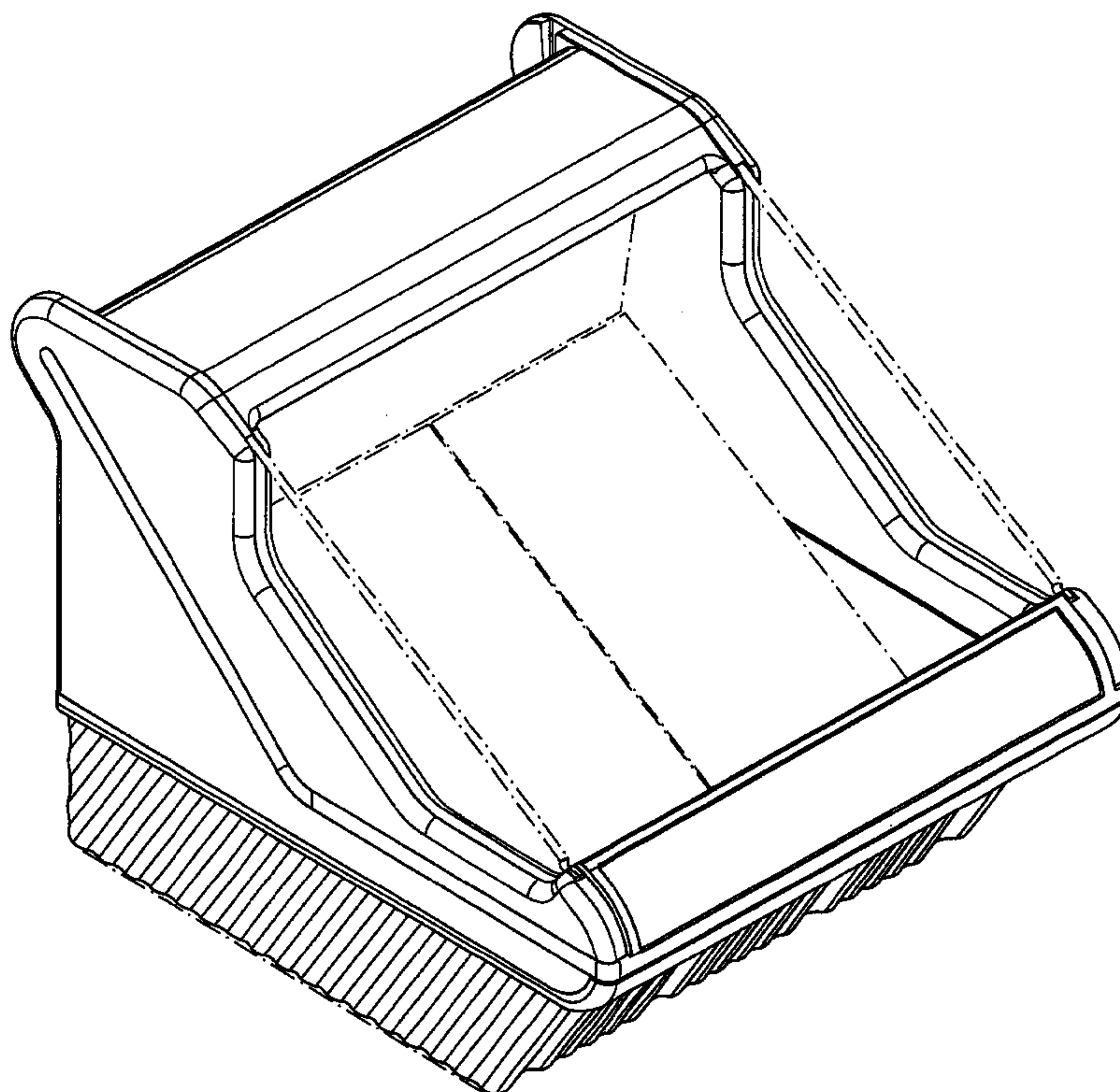
FIG. 5 is a top view thereof;

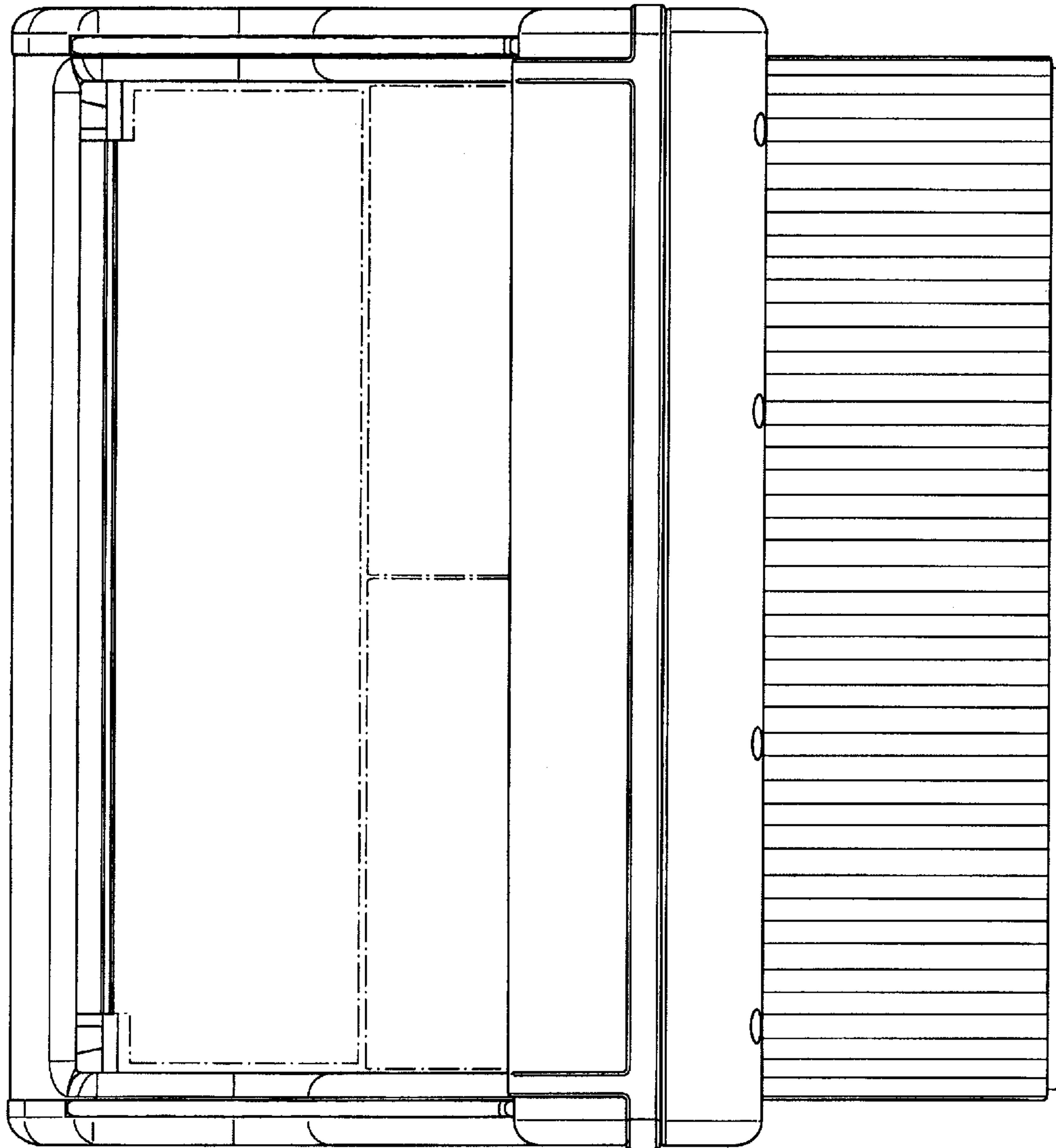
FIG. 6 is a bottom view thereof; and,

FIG. 7 is a front perspective view thereof.

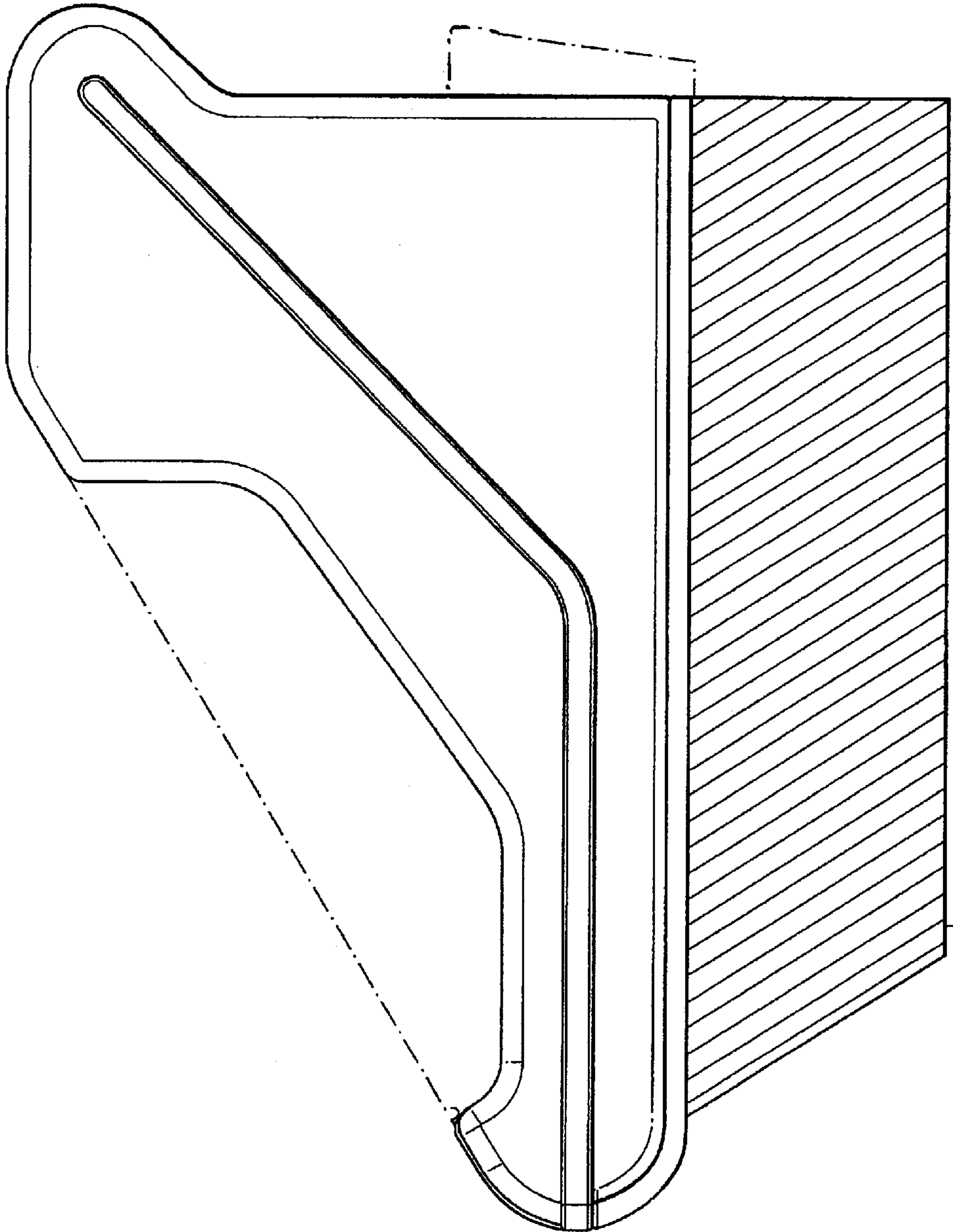
The broken lines shown in the drawing disclosure are for illustrative purposes only and form no part of the claimed design.

**1 Claim, 7 Drawing Sheets**

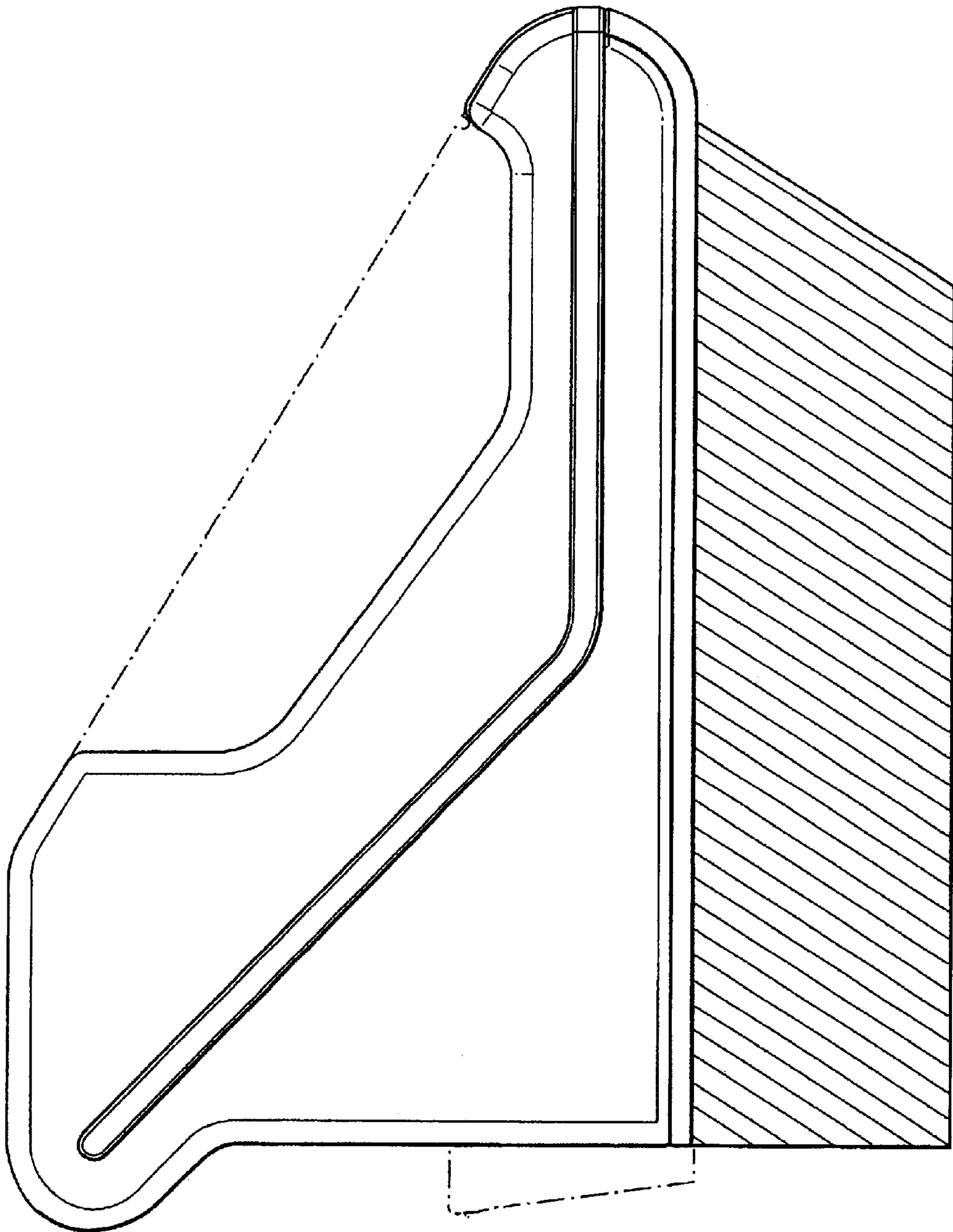




**FIG. 1**

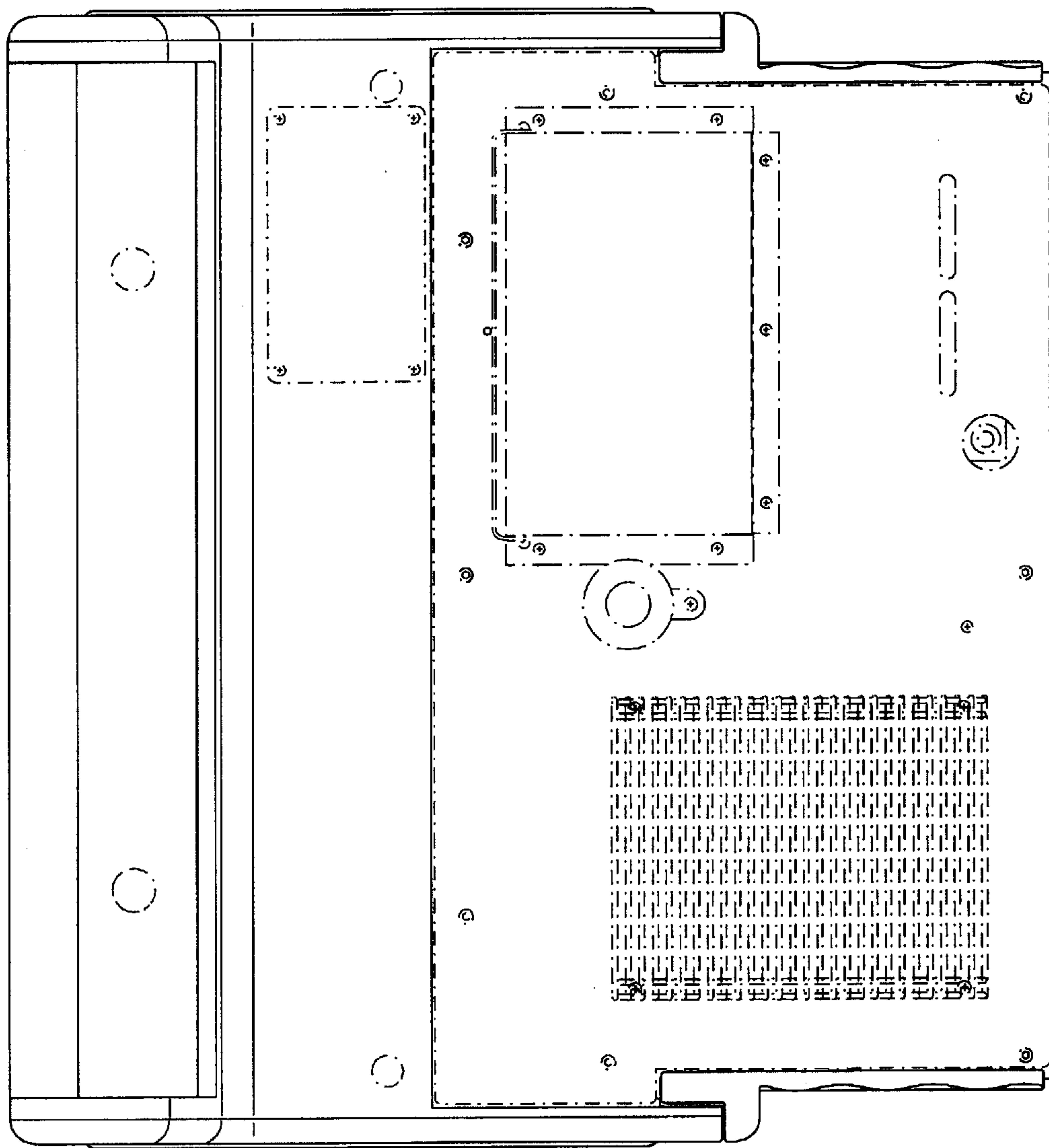


**FIG. 2**

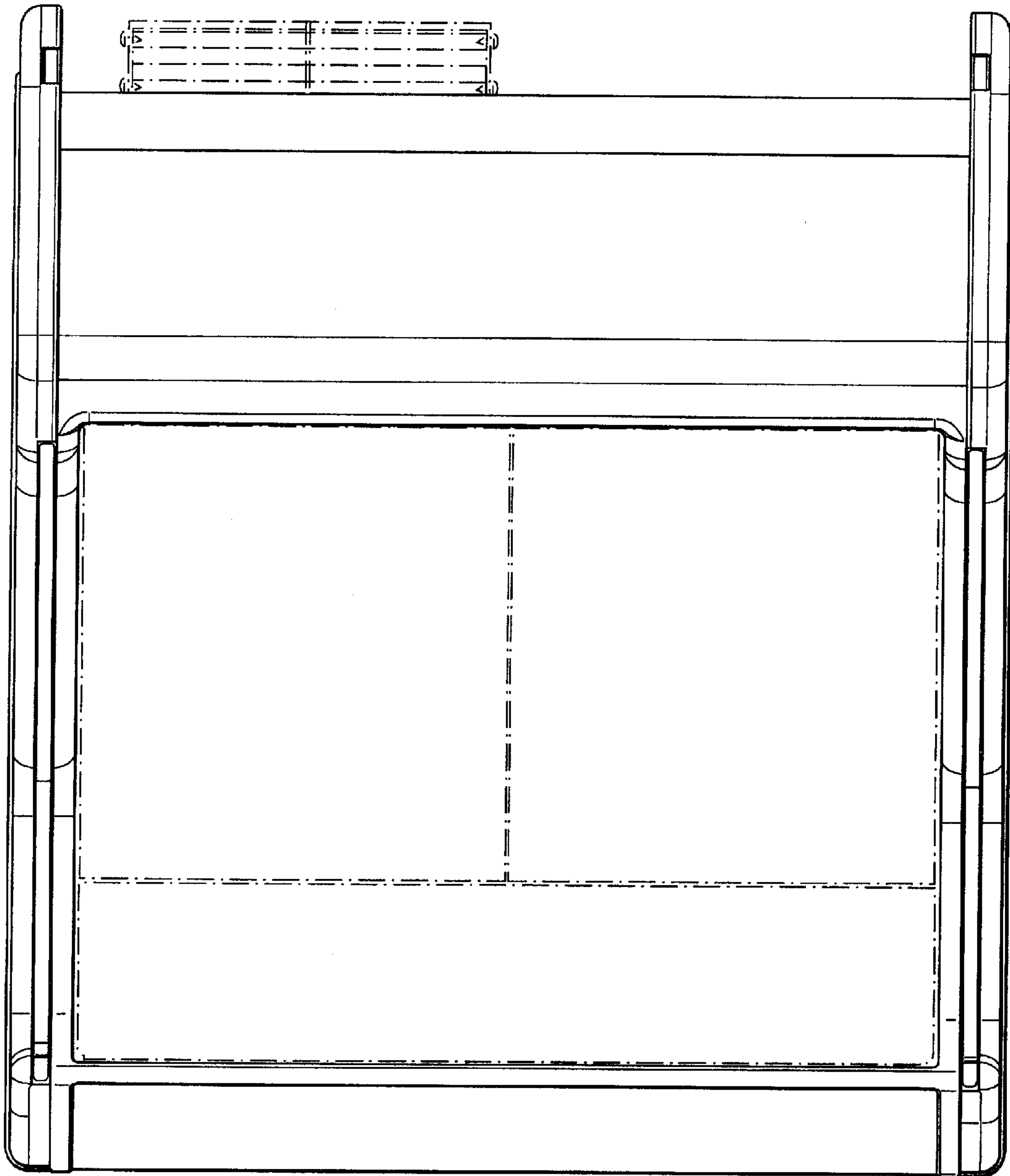


**FIG. 3**

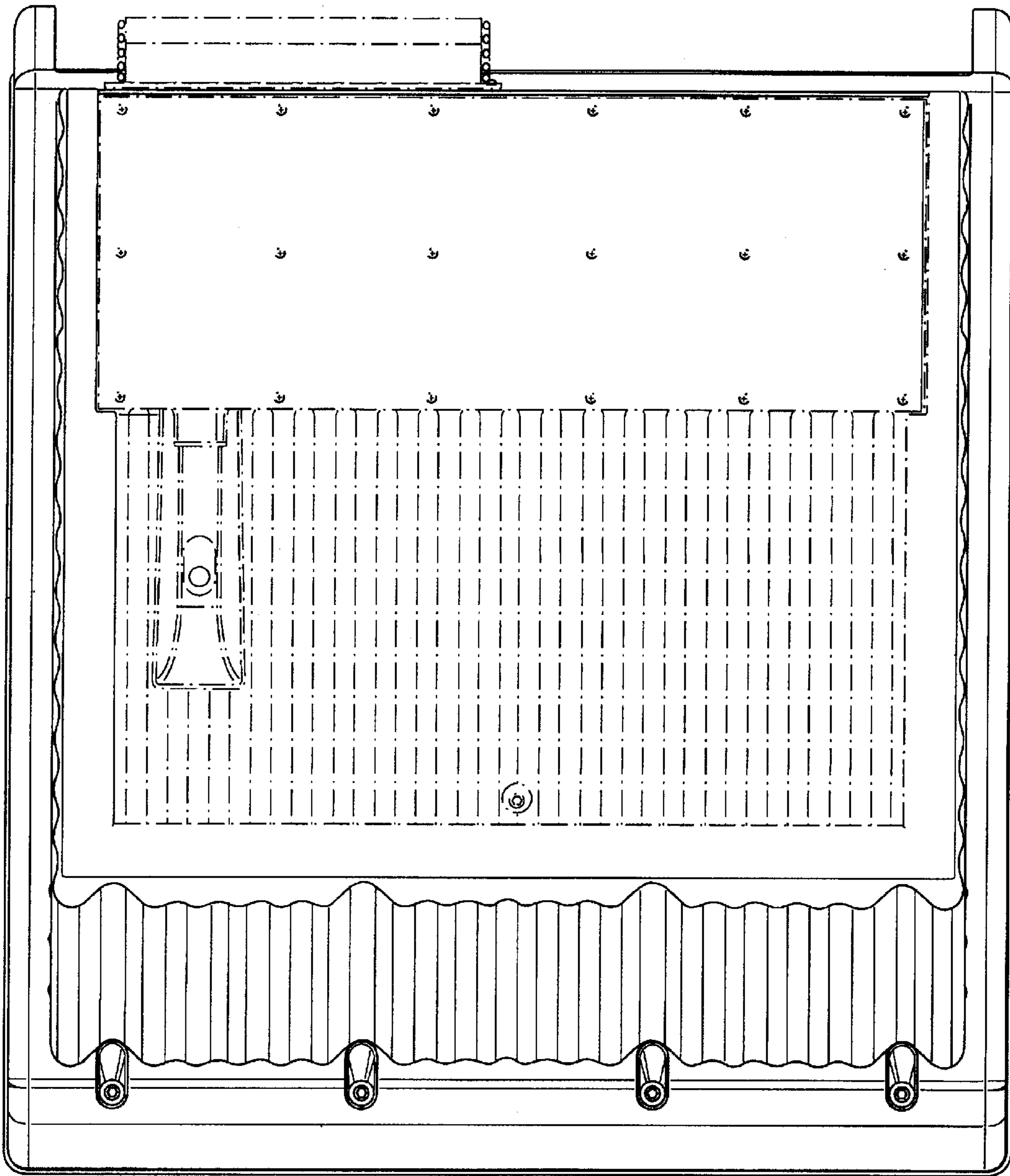




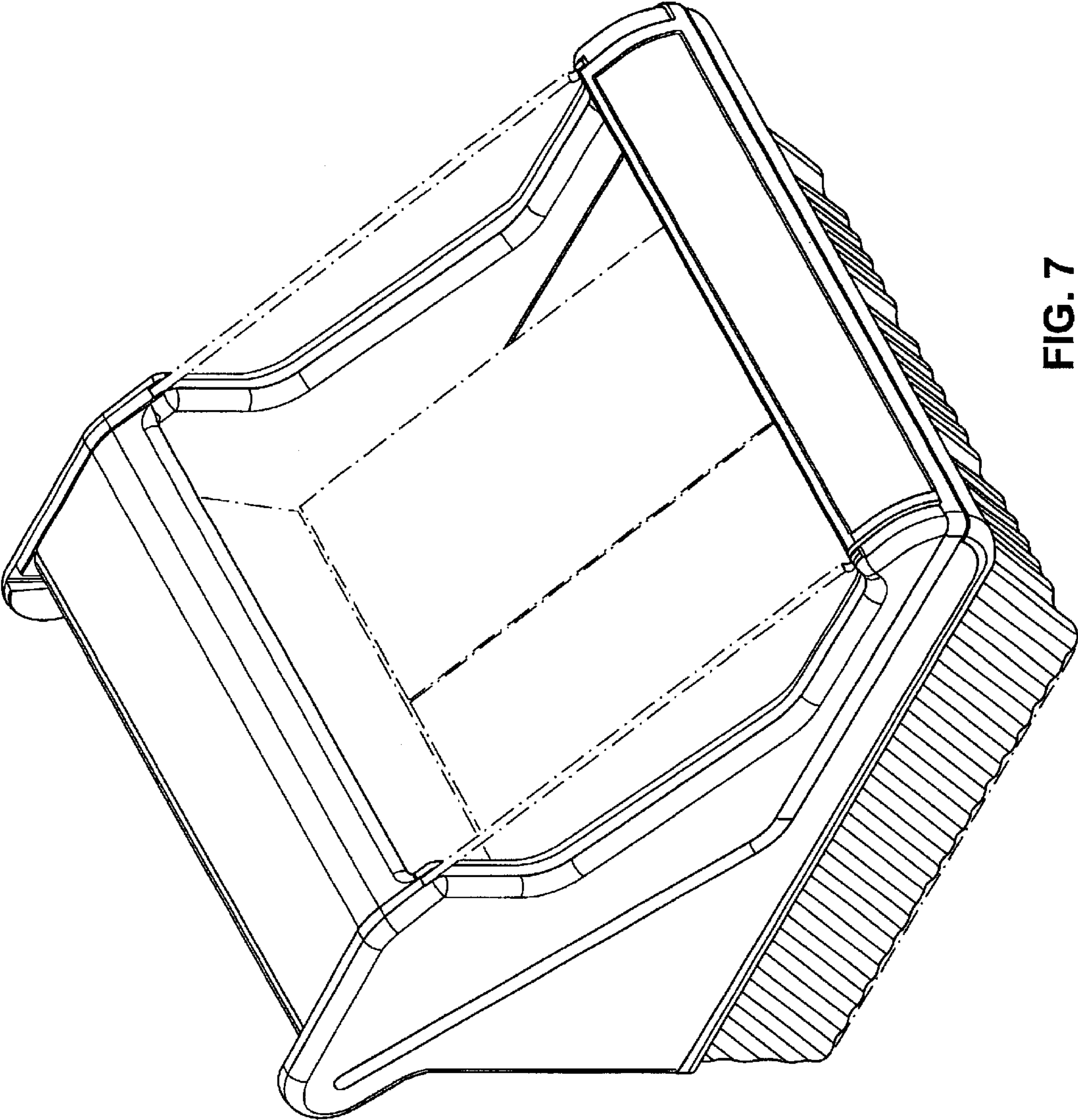
**FIG. 4**



**FIG. 5**



**FIG. 6**



**FIG. 7**