

US00D541311S

(12) **United States Design Patent**
Oh

(10) **Patent No.:** **US D541,311 S**

(45) **Date of Patent:** **** Apr. 24, 2007**

(54) **TOOTH POINT FOR EXCAVATOR BUCKET**

(75) Inventor: **Jung Suk Oh**, Ansan (KR)

(73) Assignee: **Sungbo Industrial Co., Ltd.**, Ansan,
Kyungki-Do (KR)

(**) Term: **14 Years**

(21) Appl. No.: **29/247,079**

(22) Filed: **May 26, 2006**

(30) **Foreign Application Priority Data**

Dec. 22, 2005 (KR) 30-2005-0043379

(51) **LOC (8) Cl.** **15-03**

(52) **U.S. Cl.** **D15/29**

(58) **Field of Classification Search** D15/10,
D15/11, 21-26, 28, 29, 32, 33; 172/699,
172/713; 403/355; 414/685, 694, 722; 180/331,
180/89.1, 452-454, 435, 443, 446, 403, 458,
180/455, 450, 903, 142 R, 141 R, 141 T,
180/411, 412

See application file for complete search history.

(56) **References Cited**

U.S. PATENT DOCUMENTS

D199,133 S * 9/1964 Wilson D15/29
4,117,611 A * 10/1978 Hemphill 37/452

4,175,341 A * 11/1979 Mortimore 37/301
4,428,131 A * 1/1984 Hahn 37/453
4,501,079 A * 2/1985 Hahn et al. 37/450
D297,540 S * 9/1988 Mohlin D15/29
D354,291 S * 1/1995 Edwards D15/29
D363,074 S * 10/1995 Ruvang D15/29
D365,577 S * 12/1995 Ruvang D15/29
D429,258 S * 8/2000 Zaun D15/29
D446,223 S * 8/2001 Edwards D15/29

* cited by examiner

Primary Examiner—Stella Reid

Assistant Examiner—Mark Goodwin

(74) *Attorney, Agent, or Firm*—IPLA P.A.; James E. Bame

(57) **CLAIM**

The ornamental design for a tooth point for excavator bucket, as shown and described.

DESCRIPTION

FIG. 1 is a perspective view of a tooth point for excavator bucket showing my new design;
FIG. 2 is a front elevational view thereof;
FIG. 3 is a top plan view thereof;
FIG. 4 is a rear elevational view thereof;
FIG. 5 is a right side elevation view thereof;
FIG. 6 is a left side elevation view thereof; and,
FIG. 7 is a bottom plan view thereof.

1 Claim, 4 Drawing Sheets

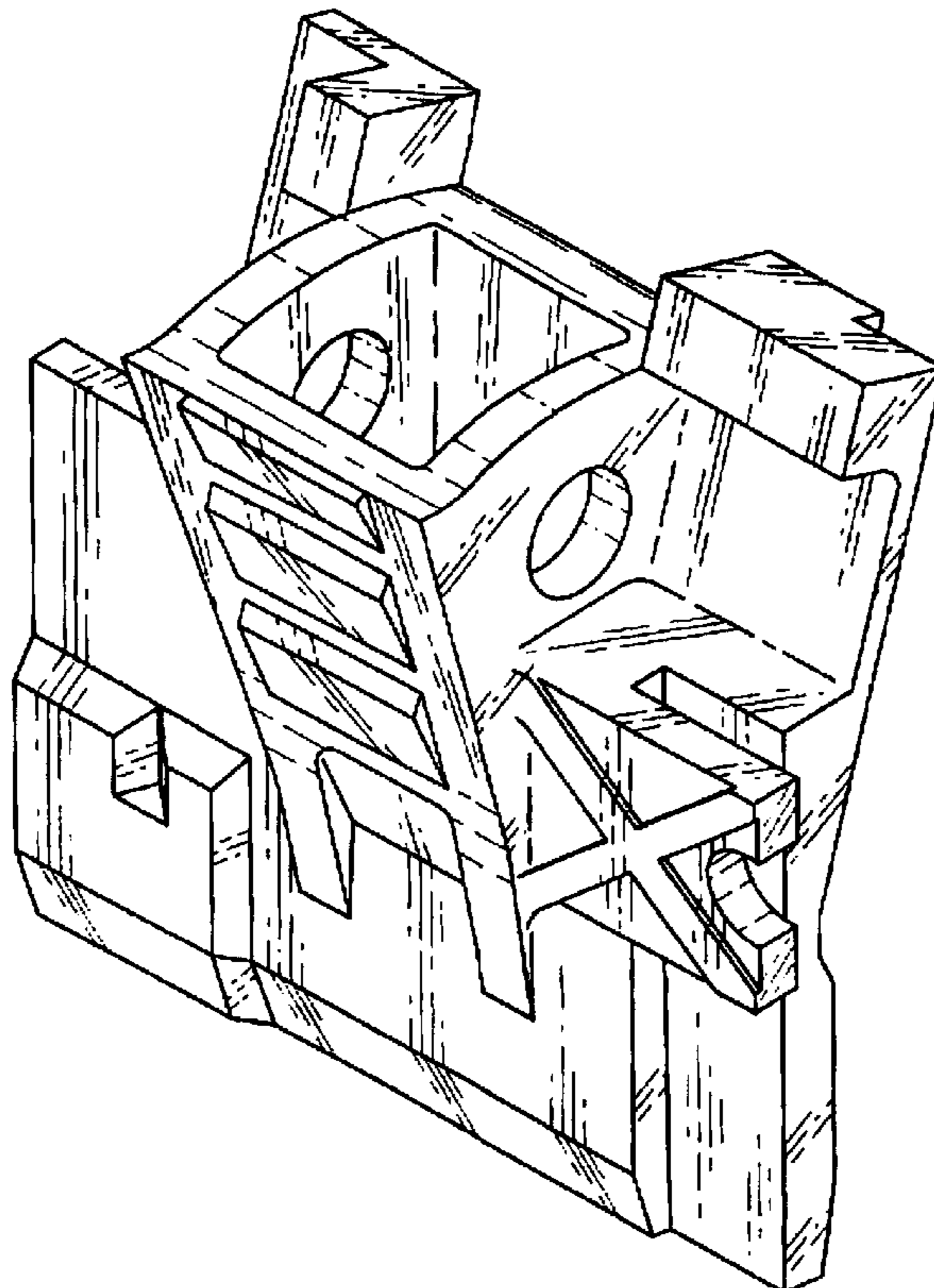


FIG. 1

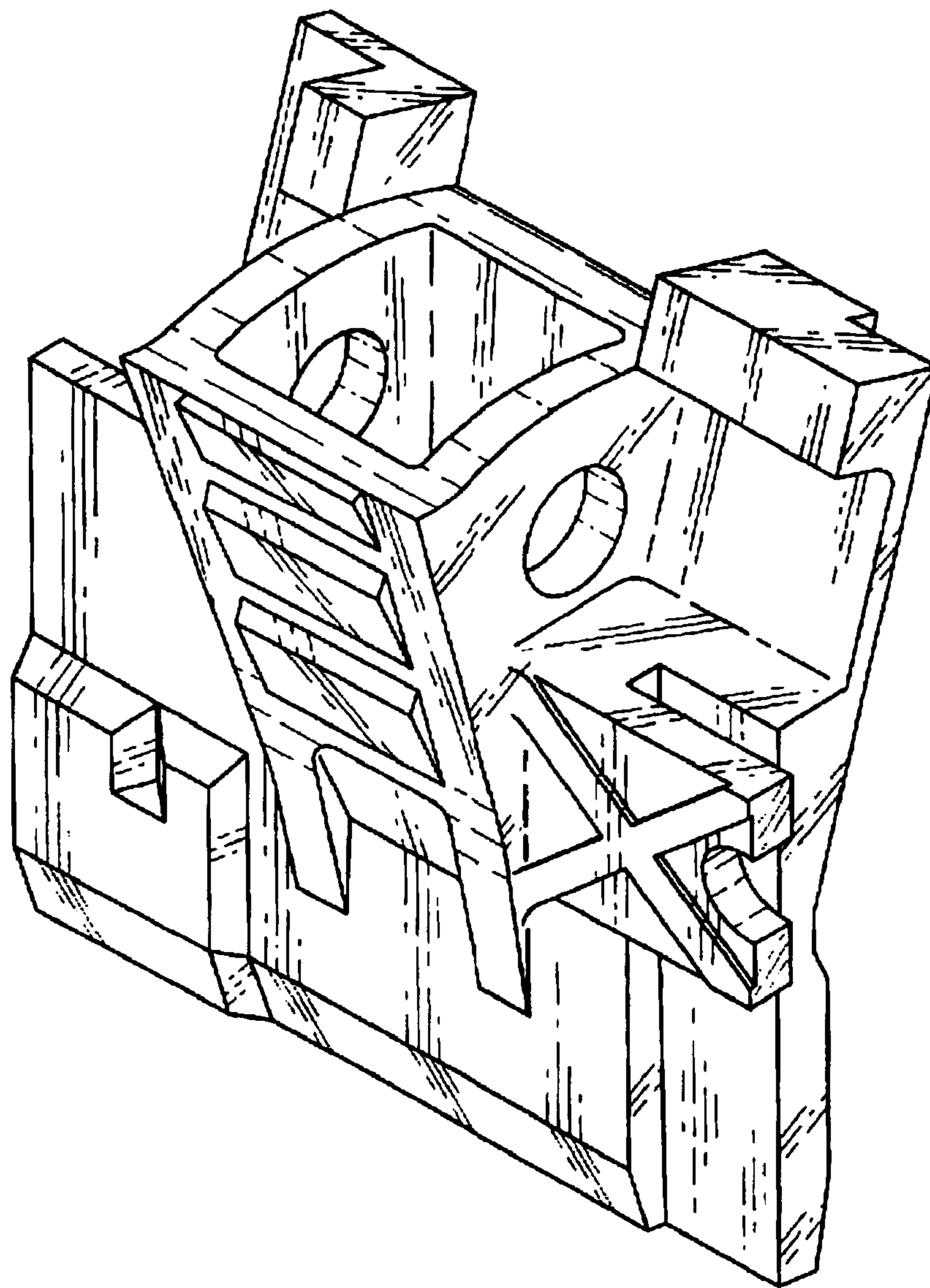


FIG. 2

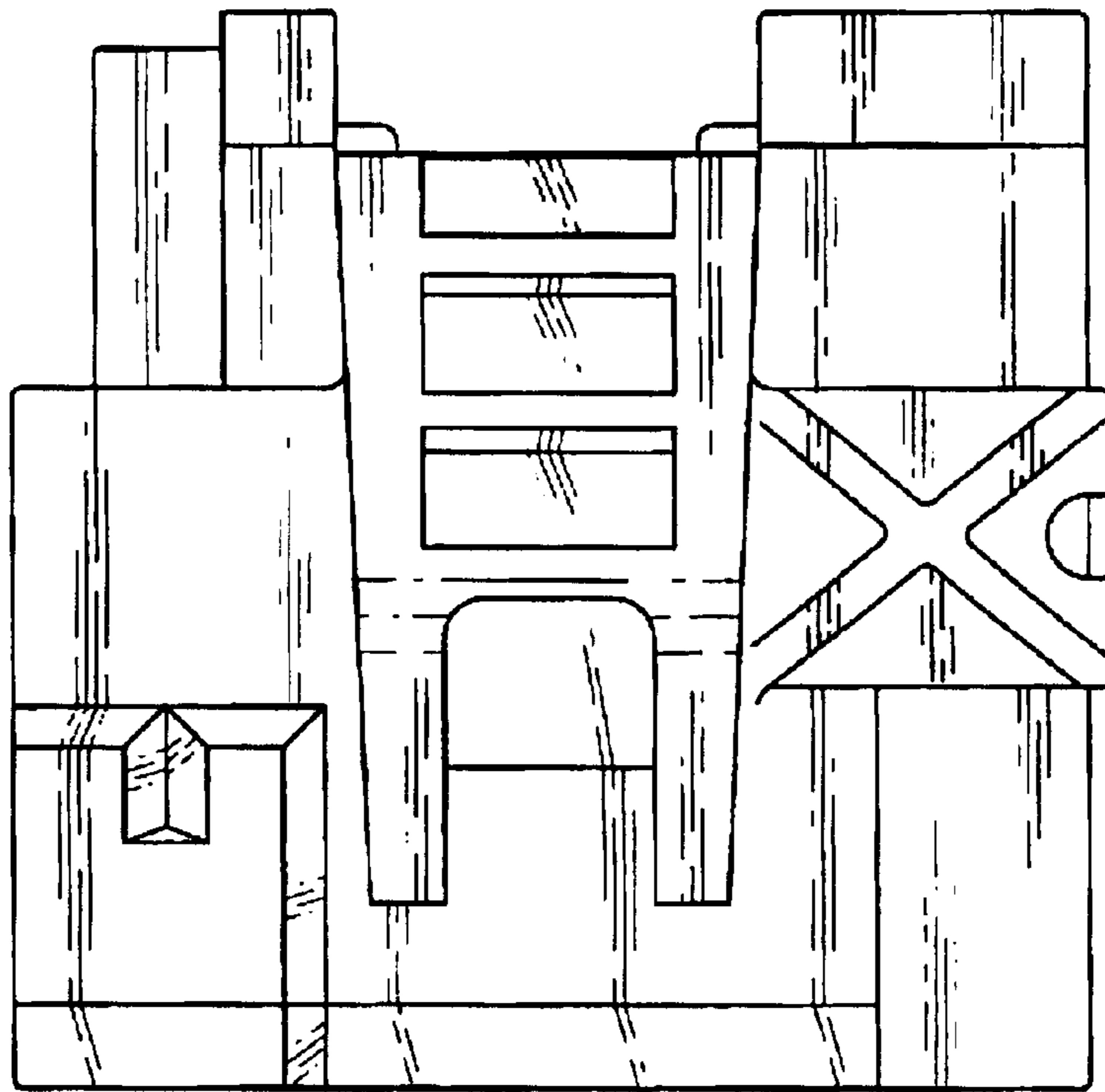


FIG. 3

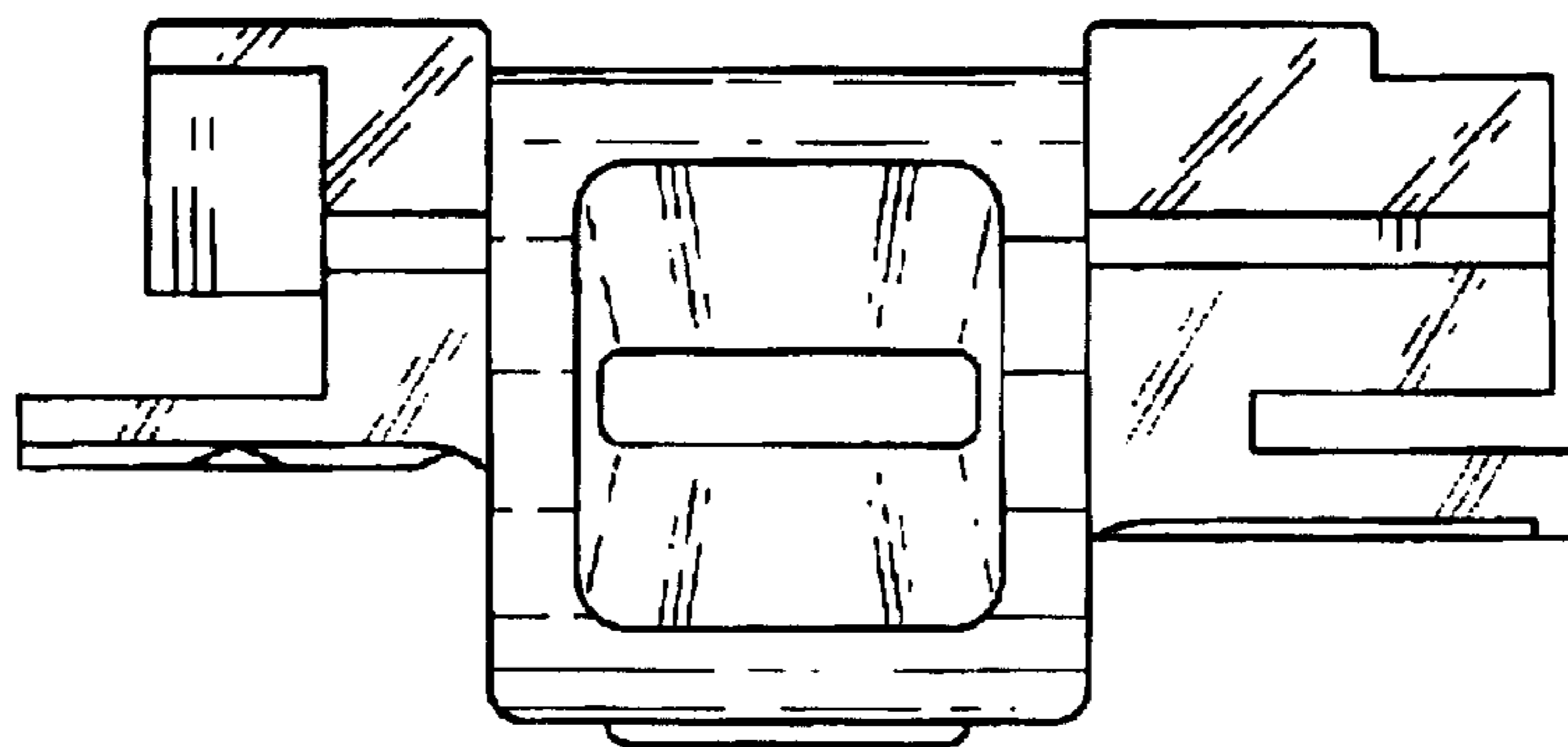


FIG. 4

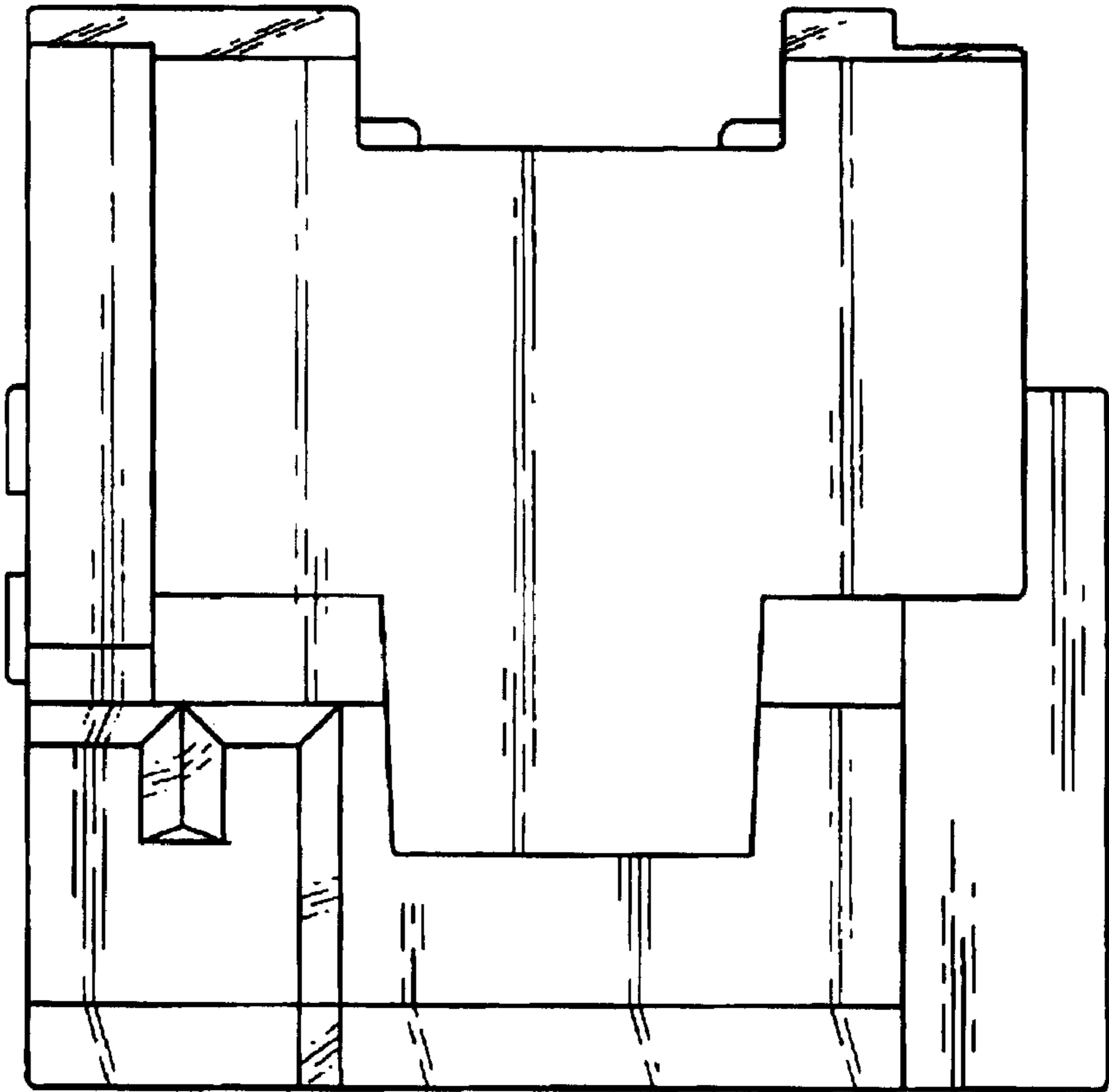


FIG. 5

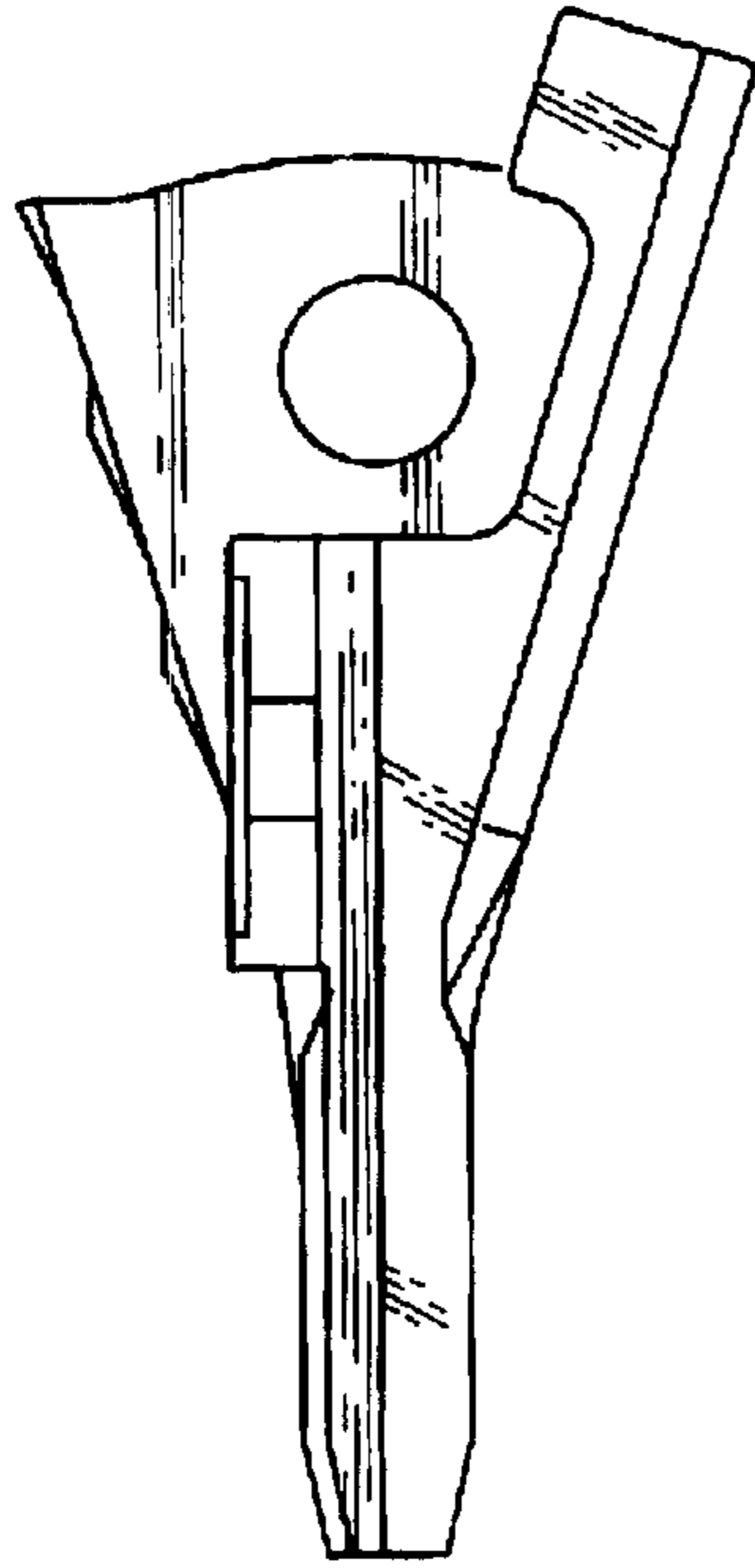


FIG. 6

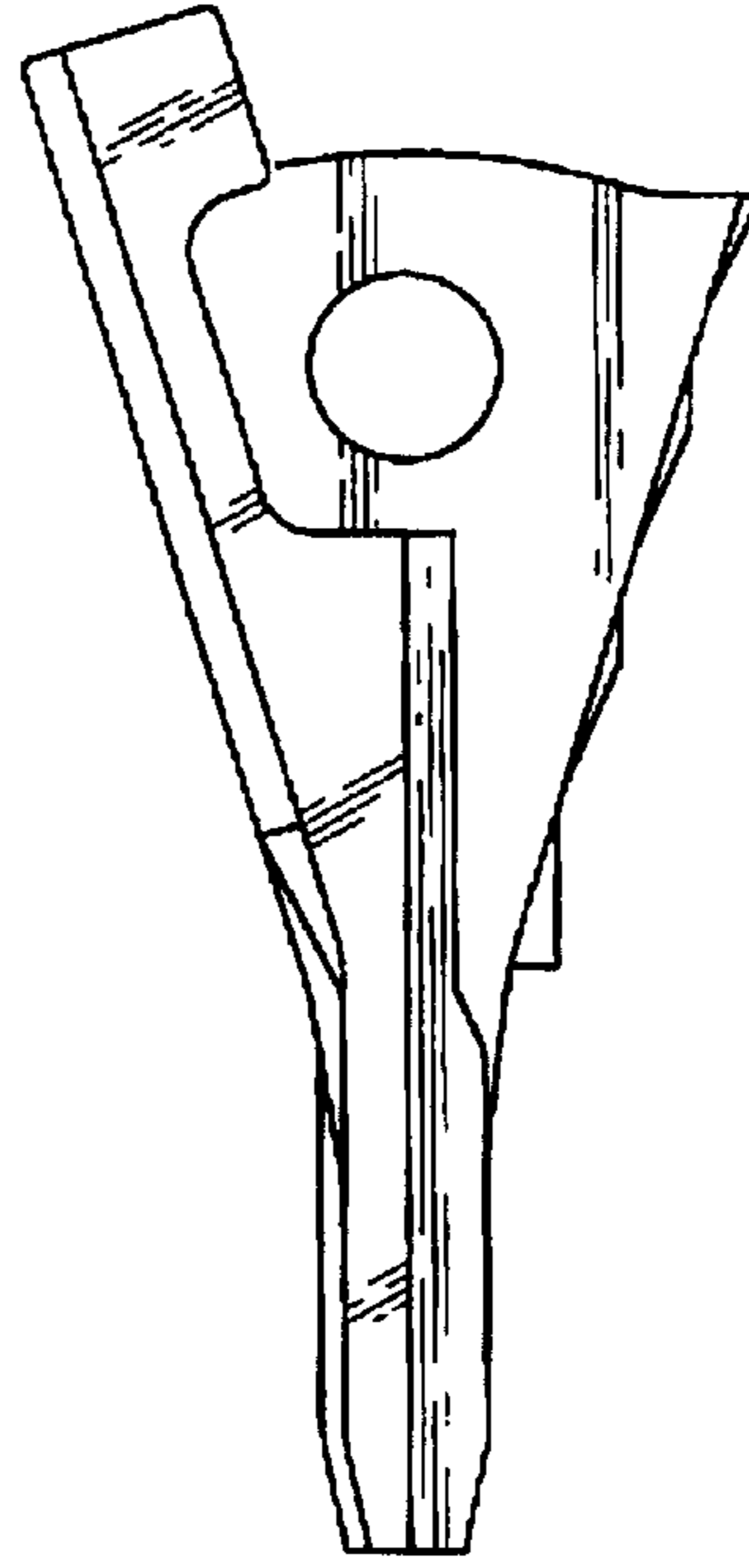


FIG. 7

