

US00D541310S

(12) **United States Design Patent**
Zagorov

(10) **Patent No.:** **US D541,310 S**

(45) **Date of Patent:** **** Apr. 24, 2007**

(54) **MIXING MACHINE**

(75) **Inventor:** **Boyko L. Zagorov**, Sofia (BG)

(73) **Assignee:** **Sparky Eltos AG**, Lovech (BG)

(**) **Term:** **14 Years**

(21) **Appl. No.:** **29/251,172**

(22) **Filed:** **Jan. 5, 2006**

(30) **Foreign Application Priority Data**

Jul. 6, 2005 (BG) 8096

(51) **LOC (8) Cl.** **15-03**

(52) **U.S. Cl.** **D15/19; 15/147**

(58) **Field of Classification Search** D15/10,
D15/19, 28, 147; 241/69, 101.8, 180, 181;
366/47, 47.31, 48, 48.28, 57, 60, 63, 185,
366/228, 232

See application file for complete search history.

(56) **References Cited**

U.S. PATENT DOCUMENTS

D207,505 S * 4/1967 Whitman D15/147

4,347,004 A * 8/1982 Platts D15/147
D271,773 S * 12/1983 Ekelund D15/147
D421,616 S * 3/2000 Shimizu D15/147
D495,343 S * 8/2004 Tomazevic D15/19

* cited by examiner

Primary Examiner—Antoine D. Davis

Assistant Examiner—Patricia Palasik

(74) *Attorney, Agent, or Firm*—Oliff & Berridge, PLC

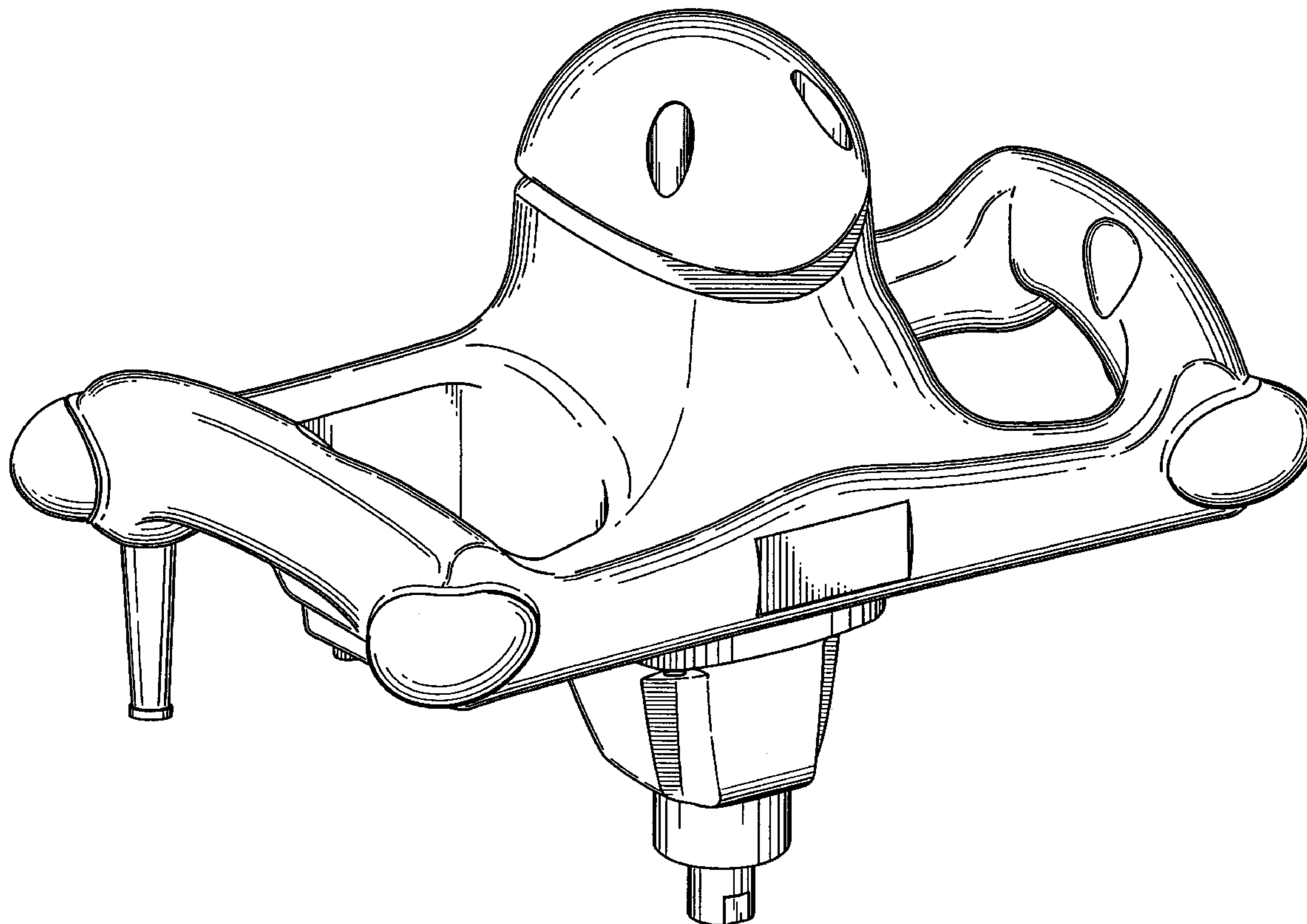
(57) **CLAIM**

The ornamental design for a mixing machine, as shown and described.

DESCRIPTION

FIG. 1 is a perspective view of a mixing machine;
FIG. 2 is a front view thereof;
FIG. 3 is a rear view thereof;
FIG. 4 is a left side view thereof;
FIG. 5 is a right side view thereof;
FIG. 6 is a top view thereof; and,
FIG. 7 is a bottom view thereof.

1 Claim, 6 Drawing Sheets



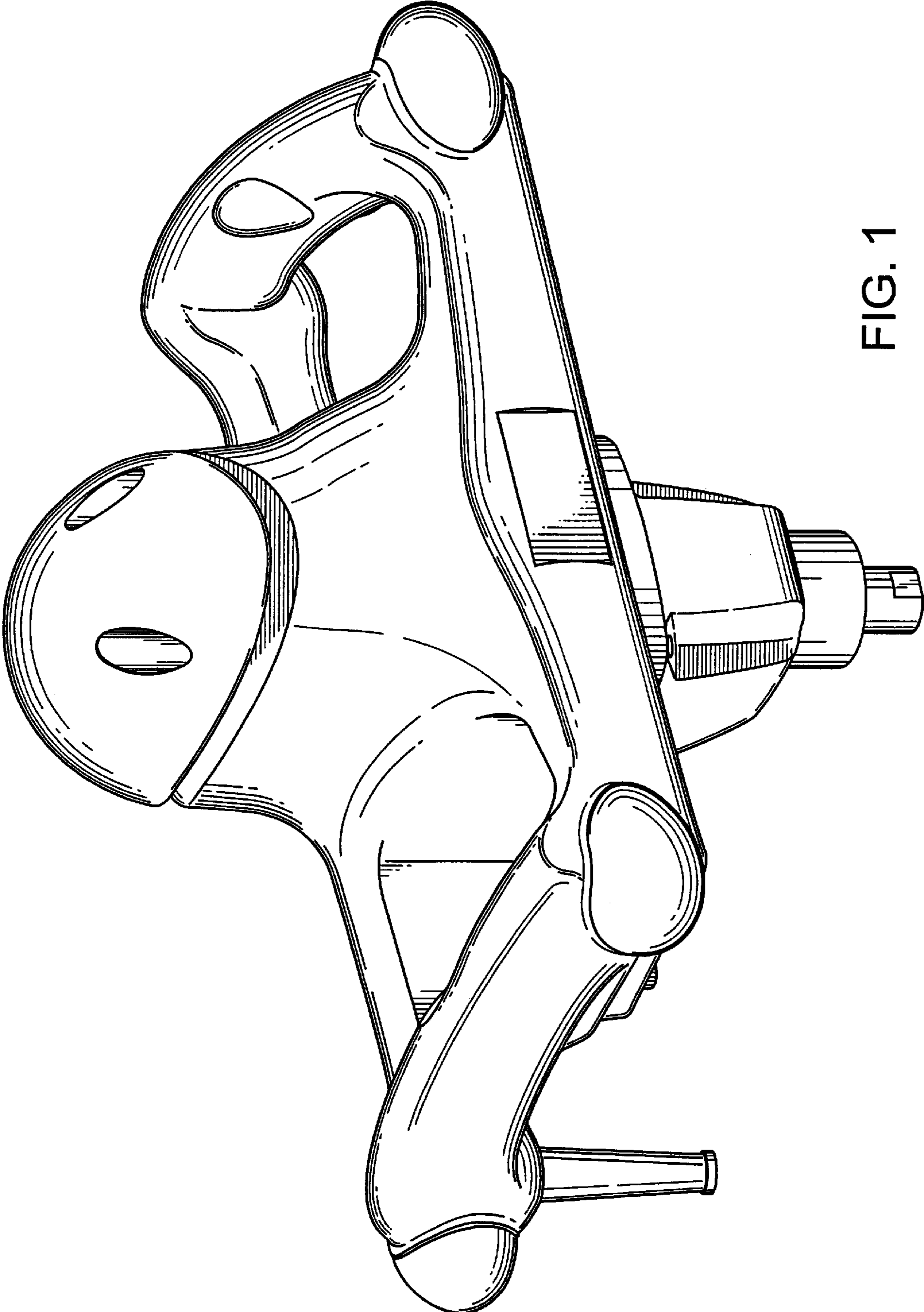


FIG. 1

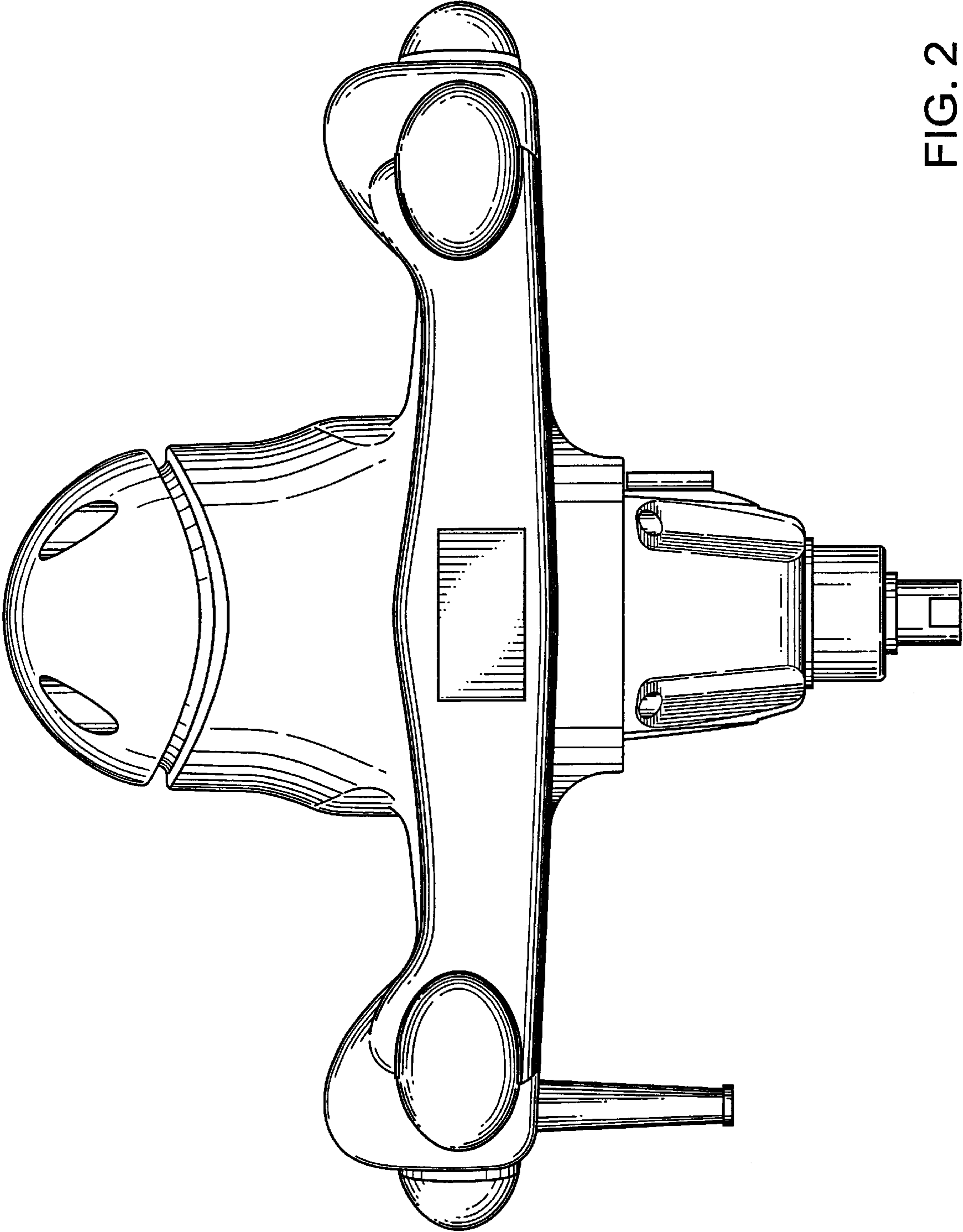


FIG. 2

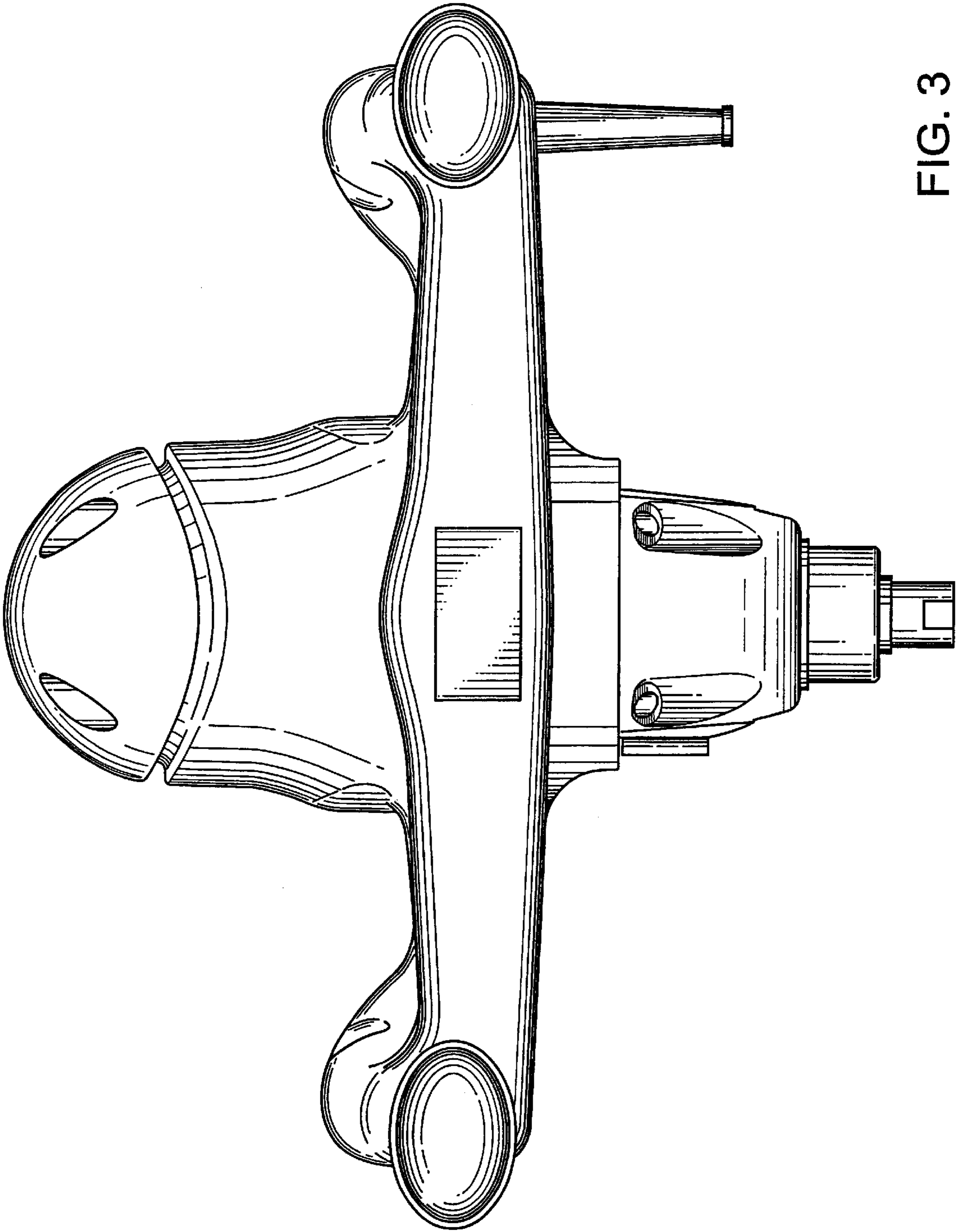


FIG. 3

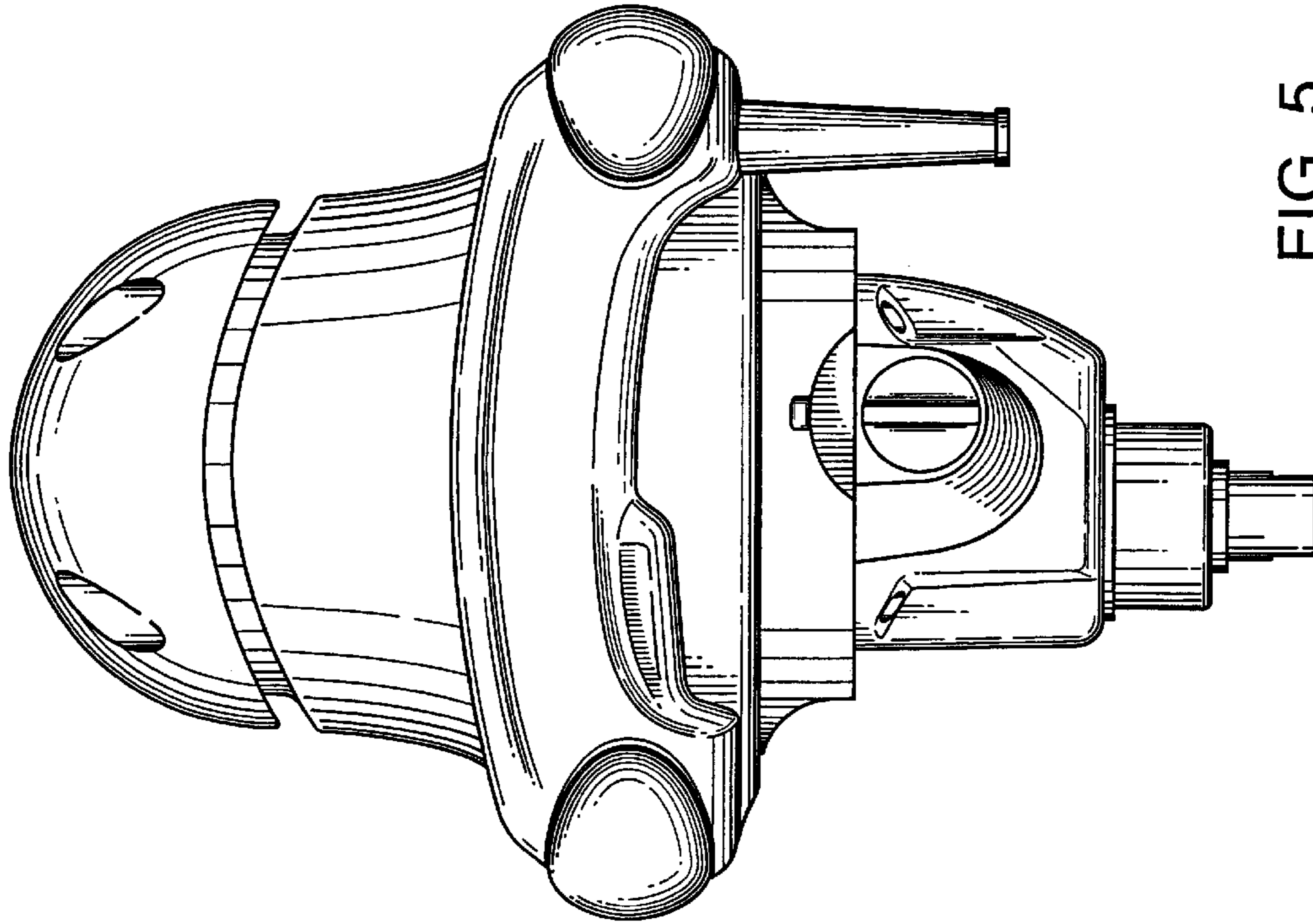


FIG. 5

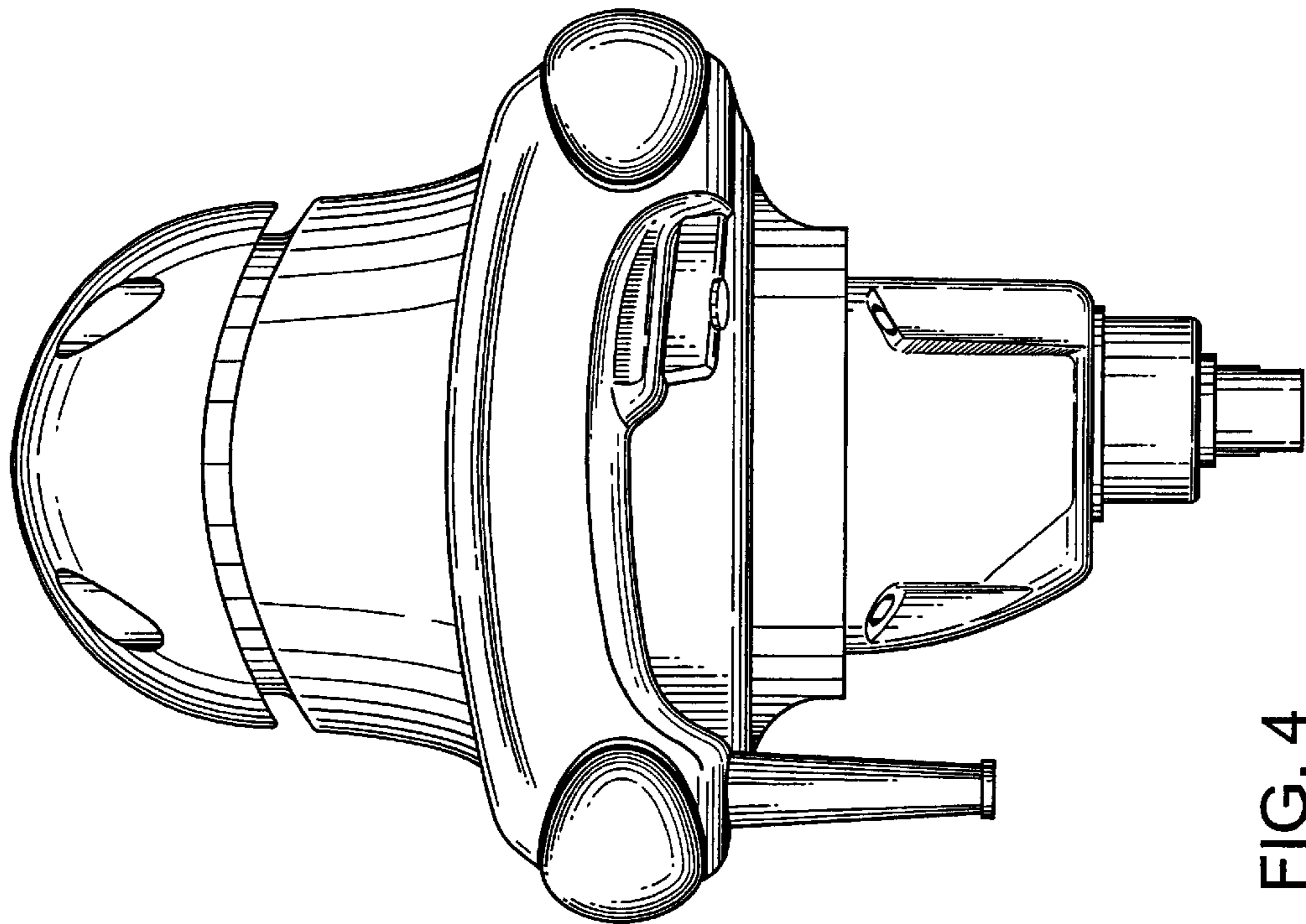


FIG. 4

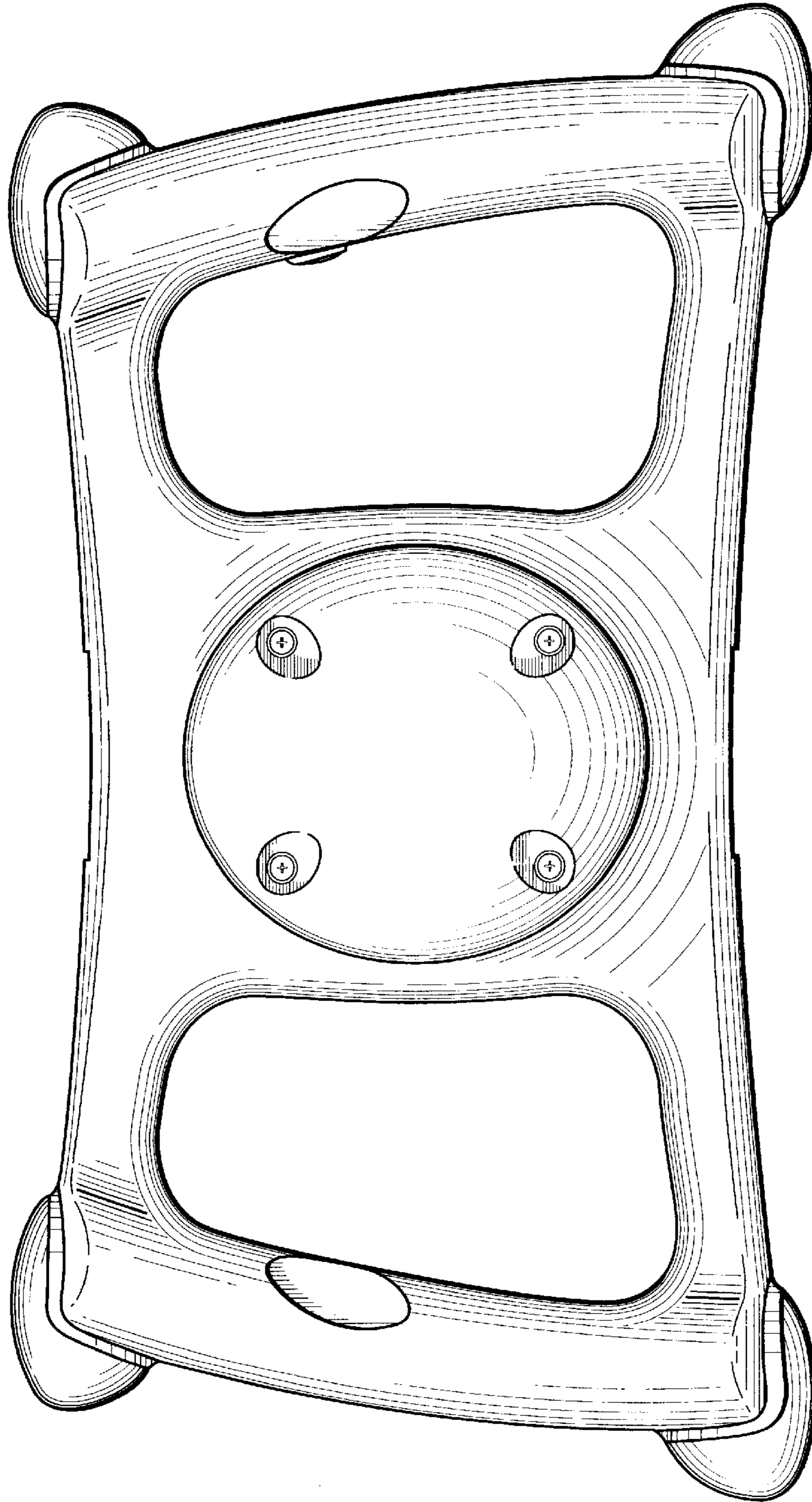


FIG. 6

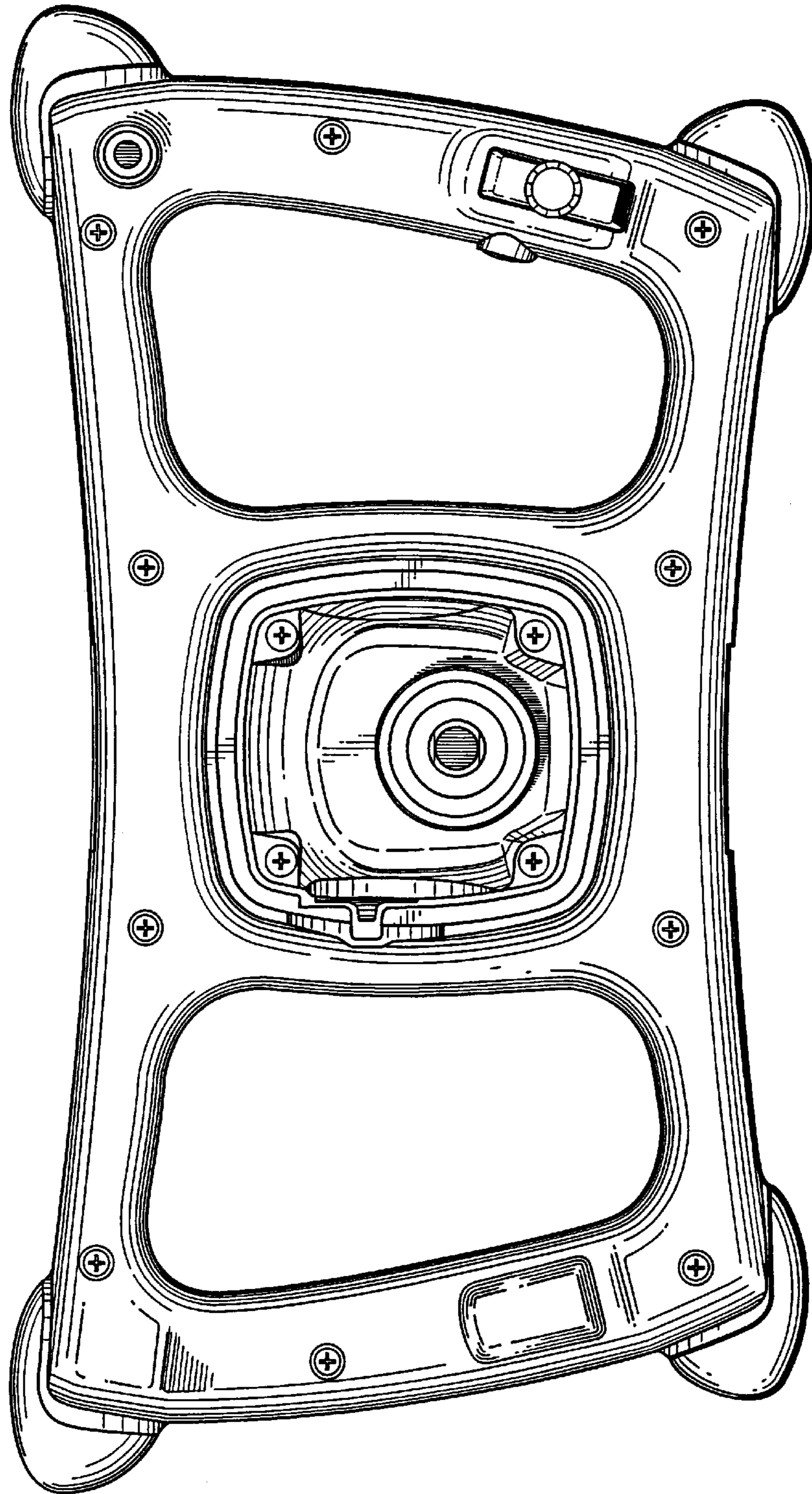


FIG. 7