



US00D541309S

(12) **United States Design Patent**
Wang

(10) **Patent No.:** **US D541,309 S**

(45) **Date of Patent:** **** Apr. 24, 2007**

(54) **AIR COMPRESSOR**

(76) Inventor: **Min-Hsieng Wang**, P.O. Box 90, Taipei City (TW), 70499

(**) Term: **14 Years**

(21) Appl. No.: **29/264,565**

(22) Filed: **Aug. 14, 2006**

(51) **LOC (8) Cl.** **15-02**

(52) **U.S. Cl.** **D15/9**

(58) **Field of Classification Search** D15/7-9;
D23/232, 231; 417/359, 415-416, 410.1,
417/321, 265, 405

See application file for complete search history.

(56) **References Cited**

U.S. PATENT DOCUMENTS

D340,458 S * 10/1993 Wang D15/7
D407,413 S * 3/1999 Wang D15/9
D466,908 S * 12/2002 Poon D15/7

D499,114 S * 11/2004 Poon D15/7
D499,744 S * 12/2004 Orschell et al. D15/7

* cited by examiner

Primary Examiner—Ralf Seifert

(57) **CLAIM**

The ornamental design for an air compressor, as shown as described.

DESCRIPTION

FIG. 1 is a perspective view of an air compressor showing my design;

FIG. 2 is a front elevational view thereof;

FIG. 3 is a rear elevational view thereof;

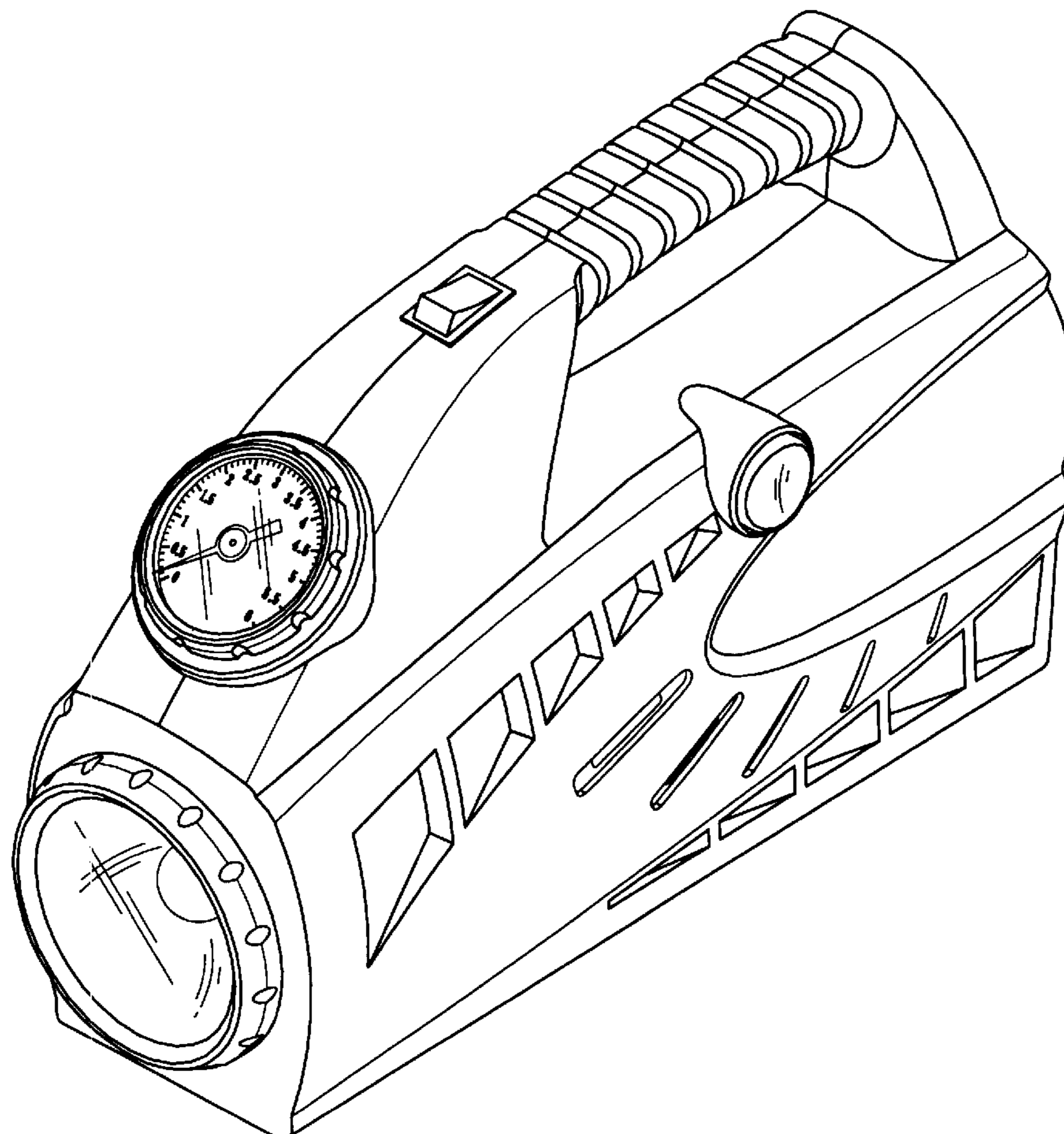
FIG. 4 is a left side elevational view thereof;

FIG. 5 is a right side elevational view thereof;

FIG. 6 is a top plan view thereof; and,

FIG. 7 is a bottom plan view thereof.

1 Claim, 7 Drawing Sheets



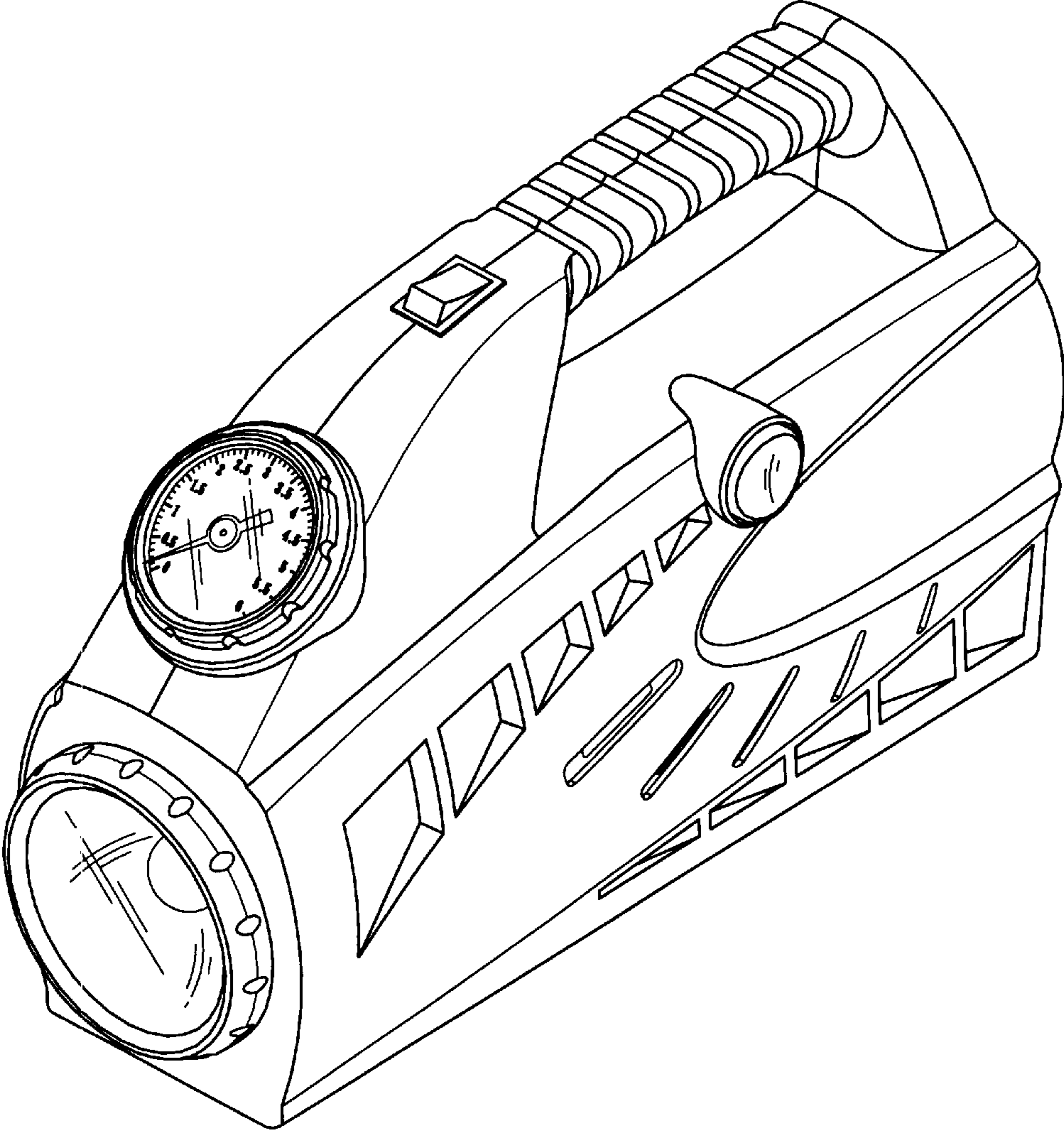


FIG.1

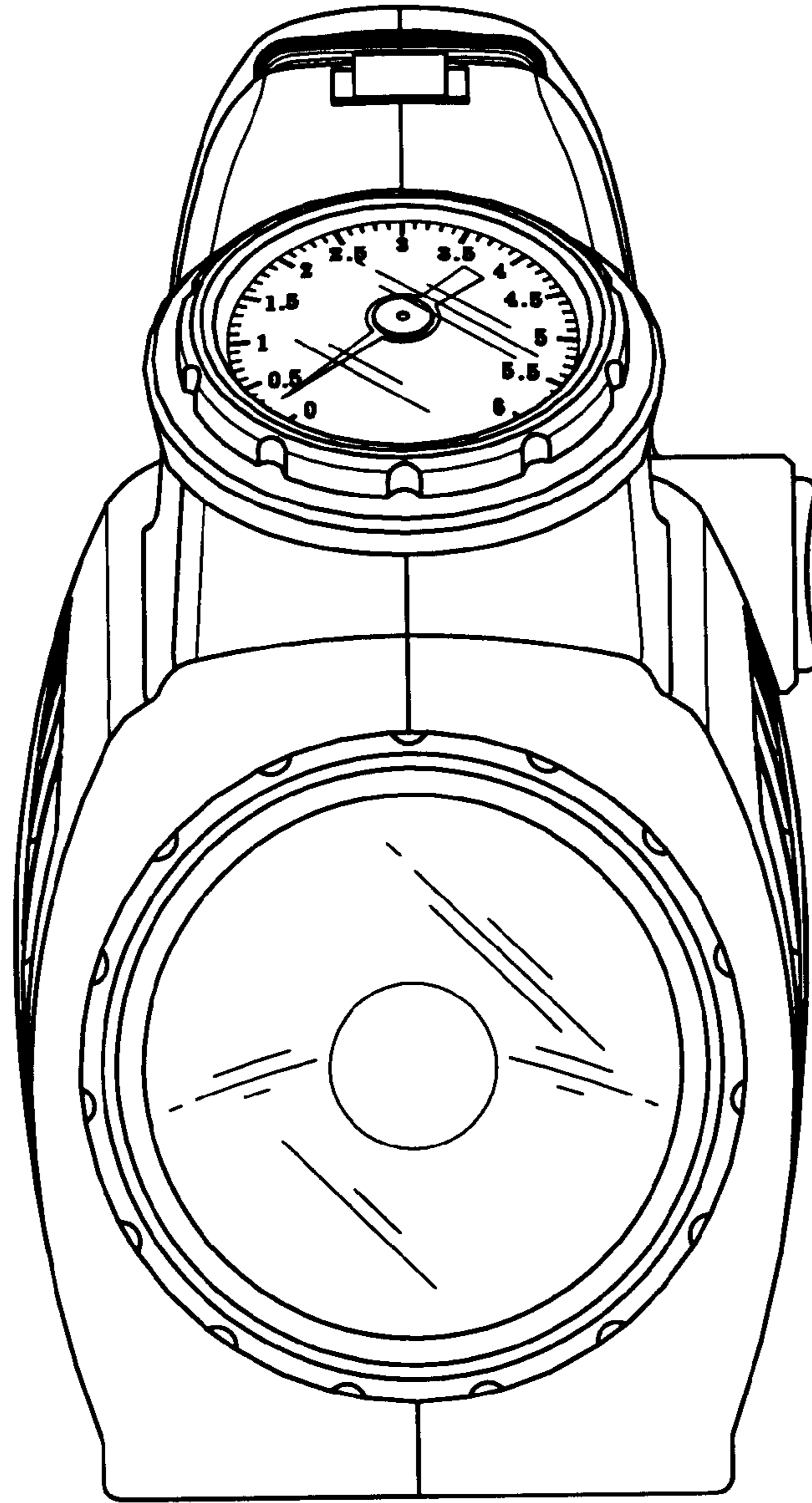


FIG.2

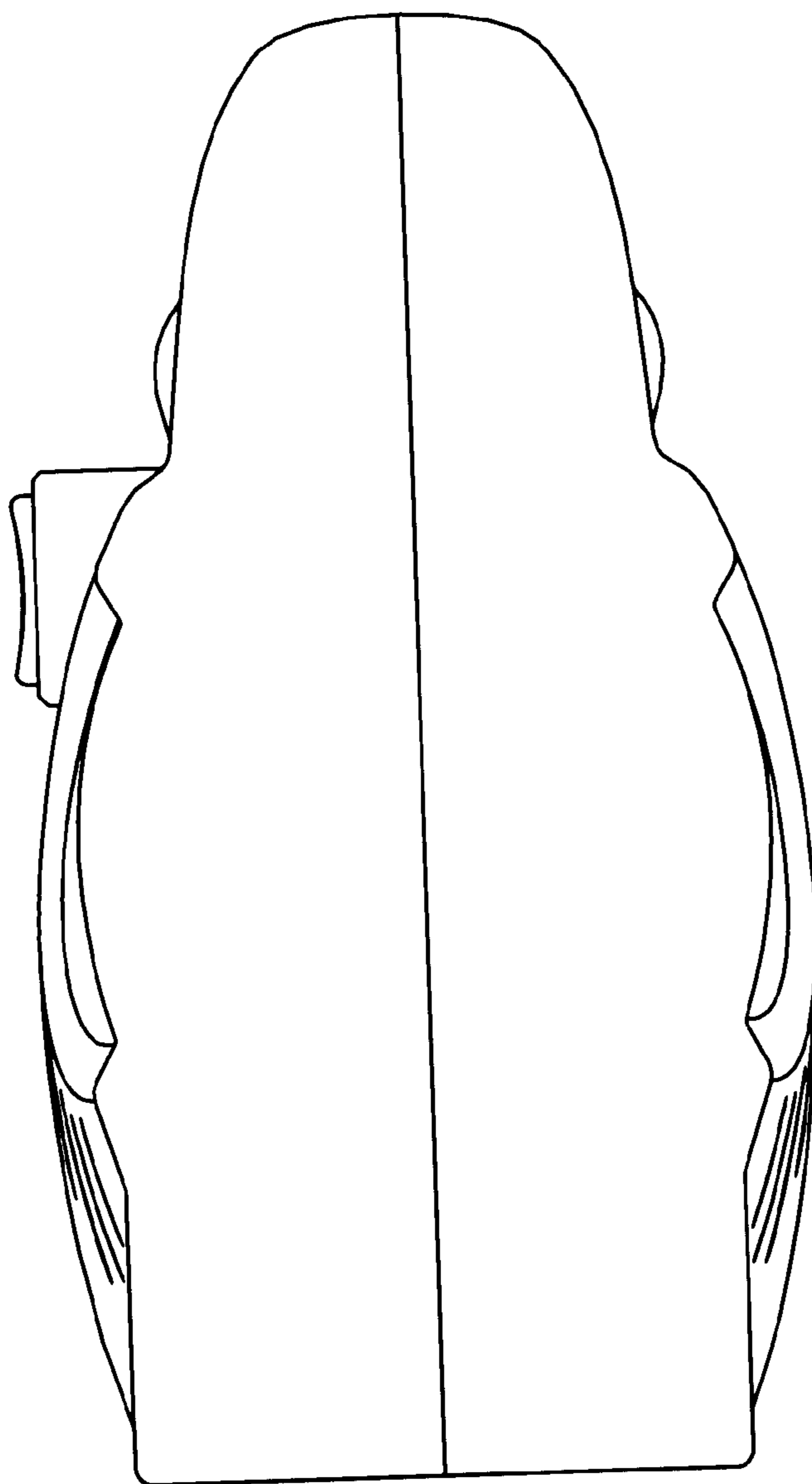


FIG.3

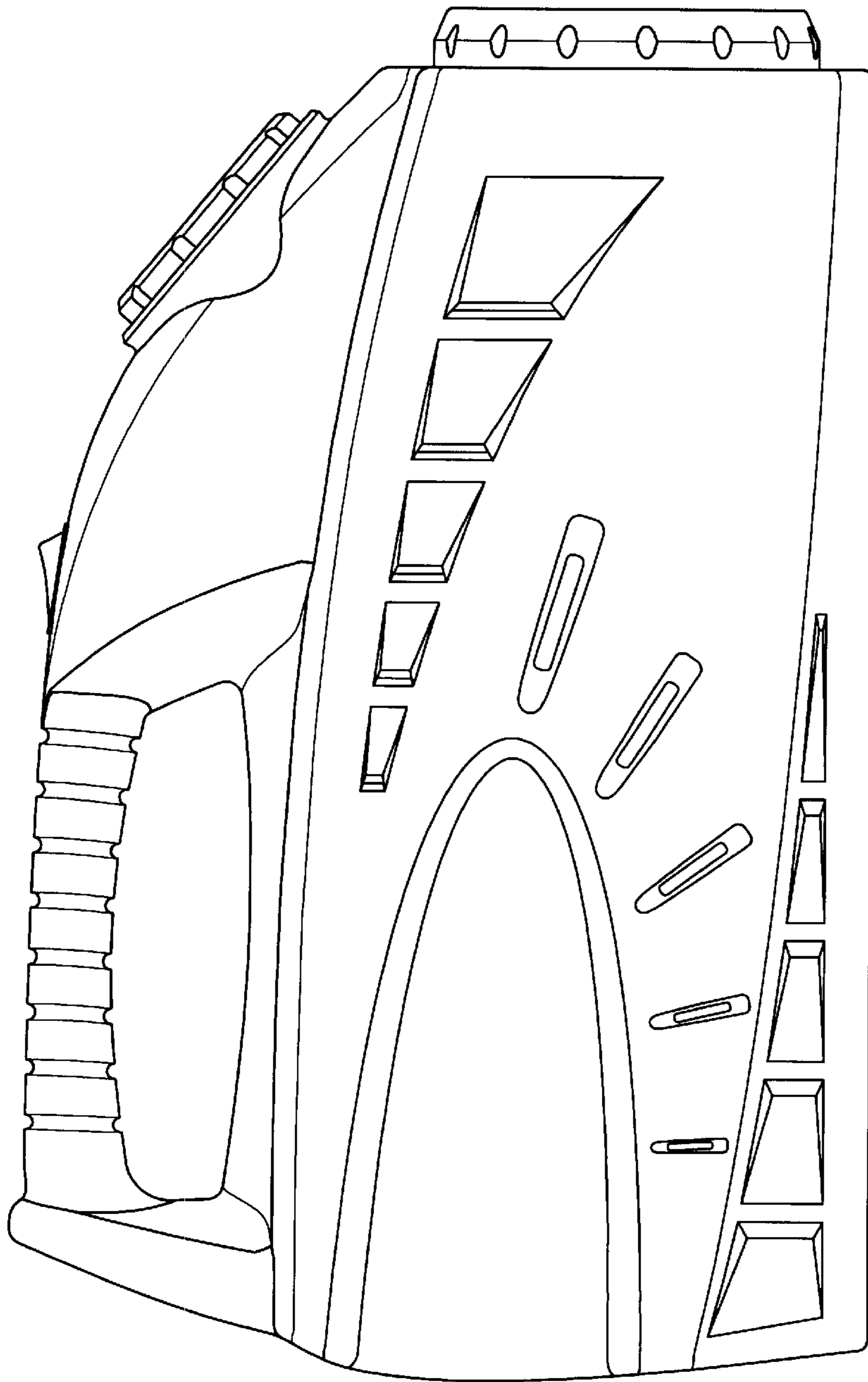


FIG.4

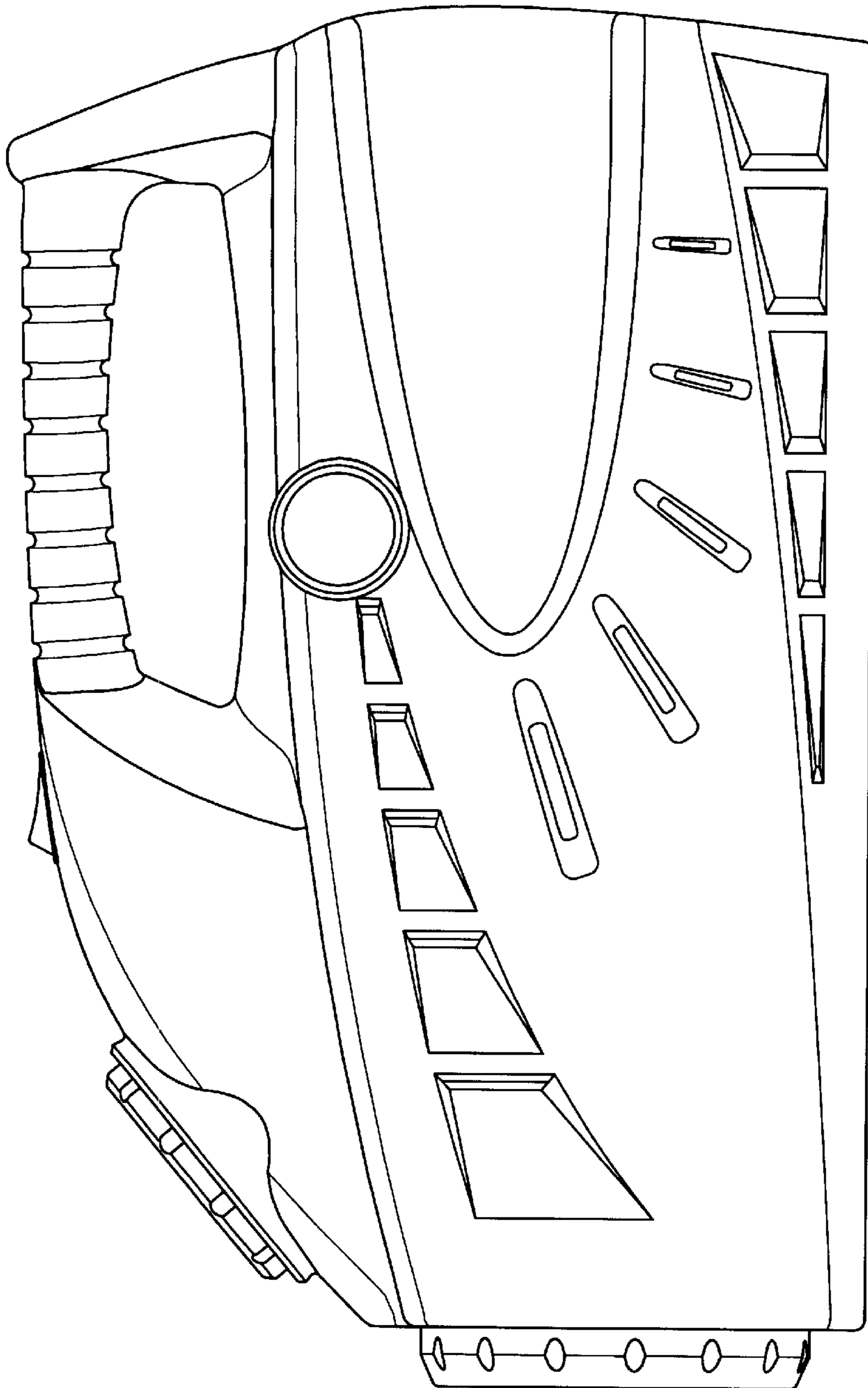


FIG.5

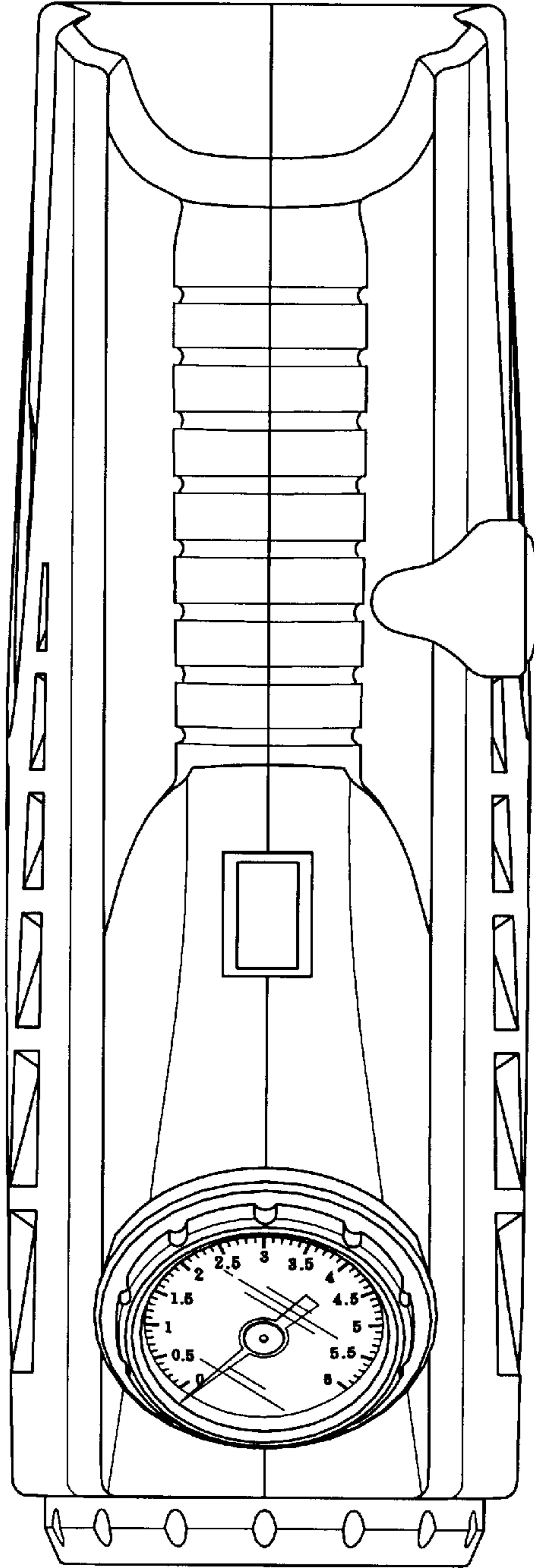


FIG.6

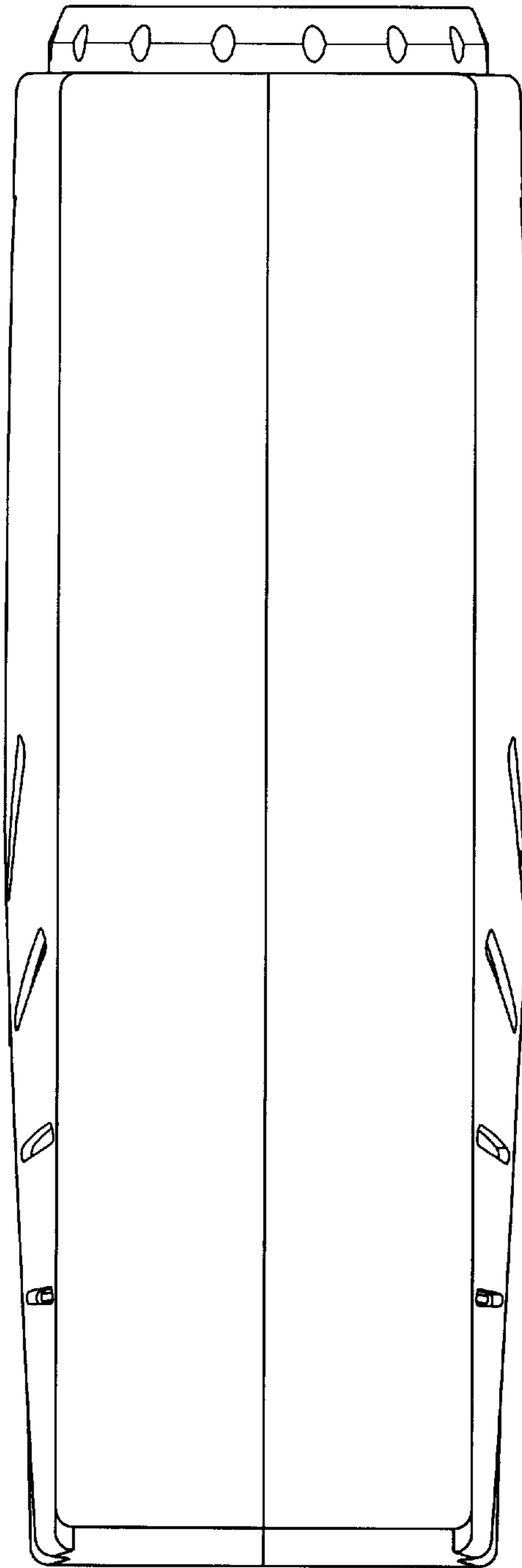


FIG.7