

US00D541307S

(12) **United States Design Patent**
Chu

(10) **Patent No.:** **US D541,307 S**

(45) **Date of Patent:** **** Apr. 24, 2007**

(54) **CAP FOR AIR COMPRESSOR**

(76) Inventor: **Henry C. Chu**, 133N. Lemon St.,
Orange, CA (US) 92866

(**) Term: **14 Years**

(21) Appl. No.: **29/264,058**

(22) Filed: **Aug. 2, 2006**

(51) **LOC (8) Cl.** **15-02**

(52) **U.S. Cl.** **D15/9**

(58) **Field of Classification Search** D15/7-9;
D23/232, 231; 417/359, 415-416, 410.1,
417/321, 265, 405

See application file for complete search history.

(56) **References Cited**

U.S. PATENT DOCUMENTS

| | | | | | |
|------------|---|---------|-----------------|-------|-------|
| D294,582 S | * | 3/1988 | Showman | | D15/7 |
| D465,792 S | * | 11/2002 | Tagami | | D15/9 |
| D467,943 S | * | 12/2002 | Tagami | | D15/9 |
| D490,819 S | * | 6/2004 | Wahlberg | | D15/7 |
| D500,325 S | * | 12/2004 | Reynolds et al. | | D15/7 |
| D506,477 S | * | 6/2005 | Chu et al. | | D15/9 |
| D507,280 S | * | 7/2005 | Chu et al. | | D15/9 |
| D529,049 S | * | 9/2006 | Chu | | D15/9 |
| D529,050 S | * | 9/2006 | Chu | | D15/9 |
| D529,517 S | * | 10/2006 | Chu | | D15/9 |

| | | | | | |
|------------|---|---------|-----|-------|-------|
| D529,927 S | * | 10/2006 | Chu | | D15/9 |
| D529,928 S | * | 10/2006 | Chu | | D15/9 |
| D529,929 S | * | 10/2006 | Chu | | D15/9 |
| D529,930 S | * | 10/2006 | Chu | | D15/9 |

* cited by examiner

Primary Examiner—Ralf Seifert

(74) *Attorney, Agent, or Firm*—Charles E. Baxley

(57) **CLAIM**

The ornamental design for a cap for air compressor, as shown and described.

DESCRIPTION

FIG. 1 is a front perspective view of a cap for air compressor showing my new design;

FIG. 2 is a front elevational view thereof;

FIG. 3 is a rear elevational view thereof;

FIG. 4 is a top plan view thereof;

FIG. 5 is a bottom plan view thereof;

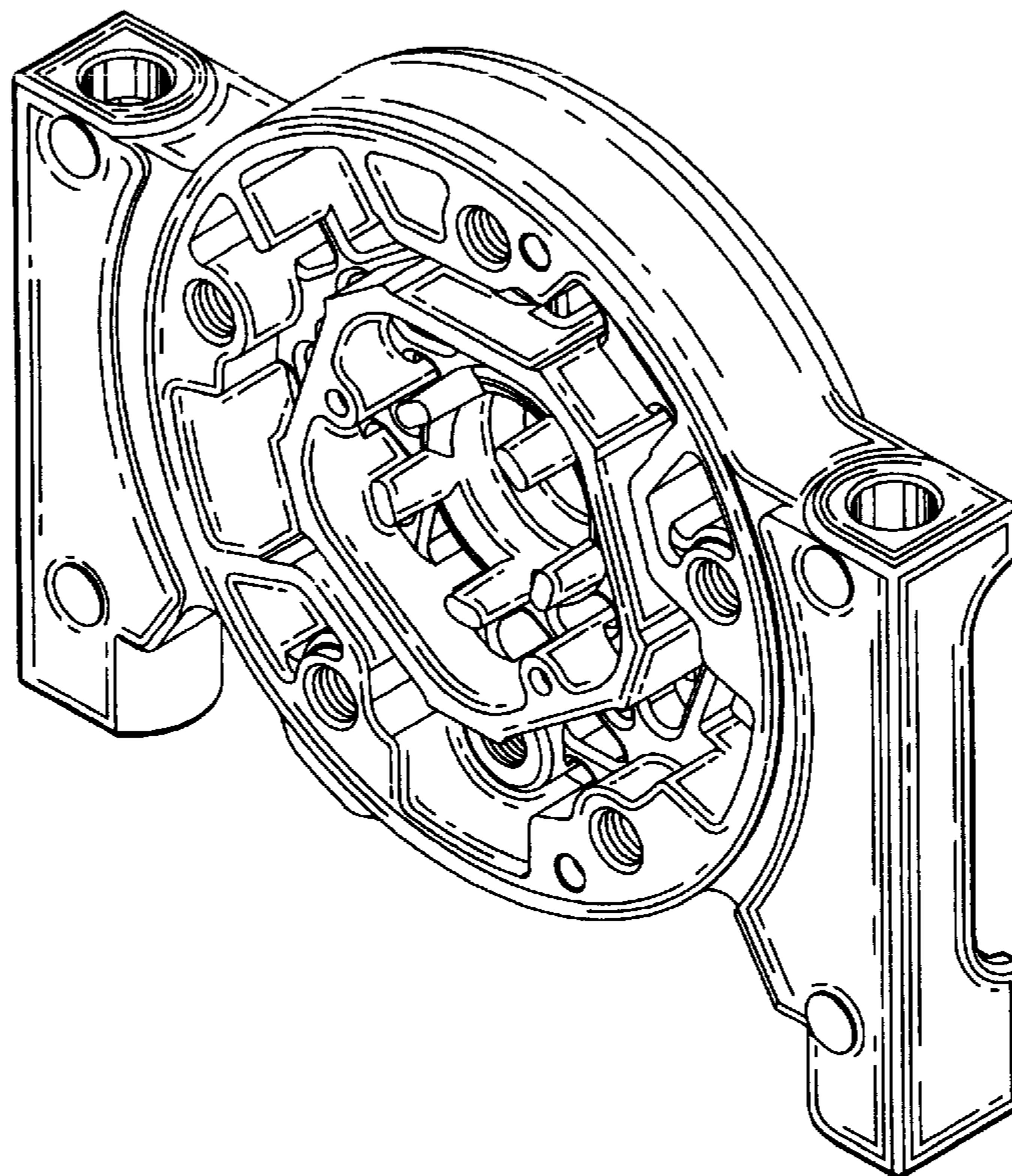
FIG. 6 is a left side elevational view thereof;

FIG. 7 is a right side elevational view thereof;

FIG. 8 is a rear elevational view thereof; and,

FIG. 9 is a rear perspective view thereof, the coupling port depicted by means of broken lines being for illustrative purposes only and forming no part of the claimed design.

1 Claim, 5 Drawing Sheets



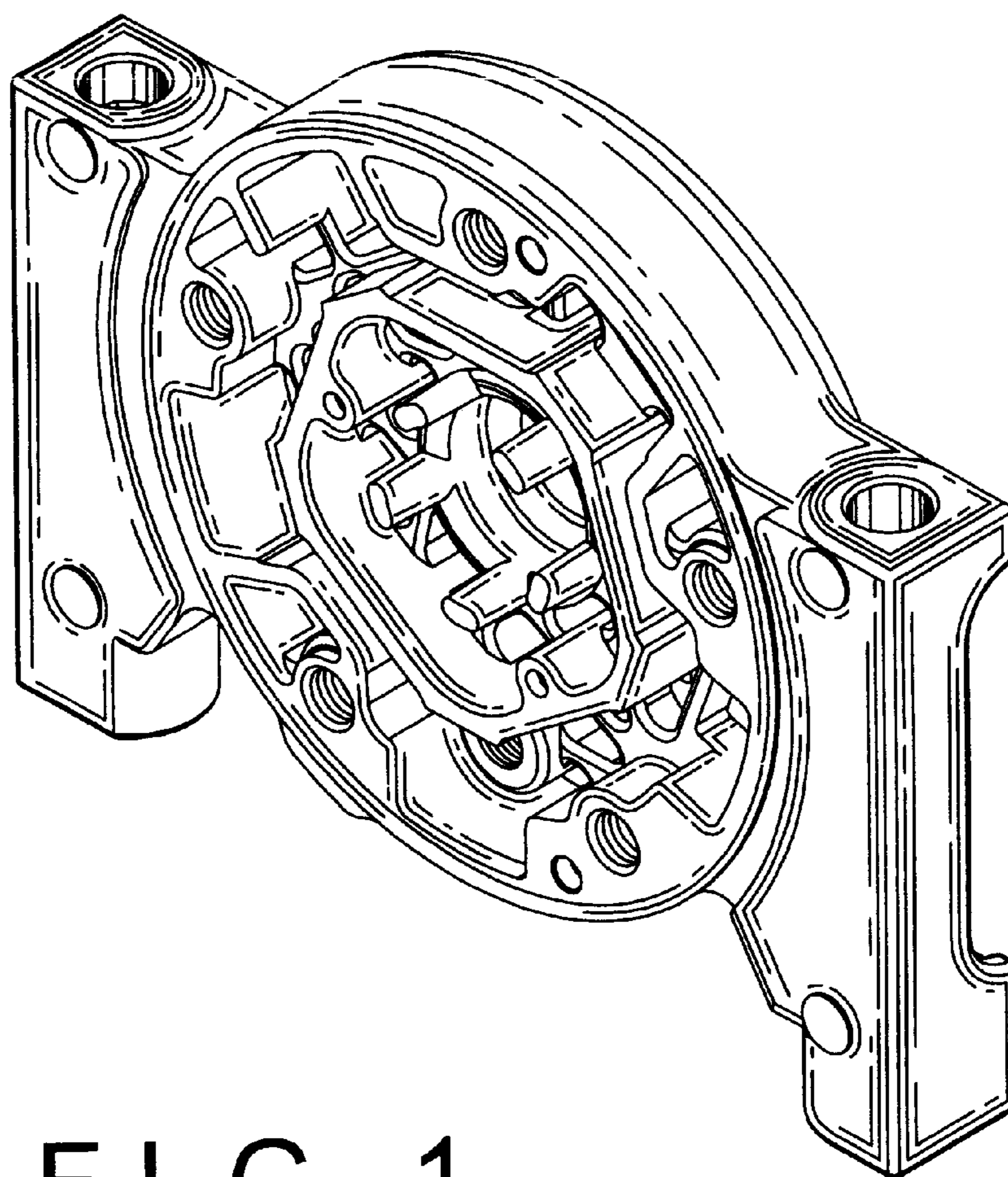


FIG. 1

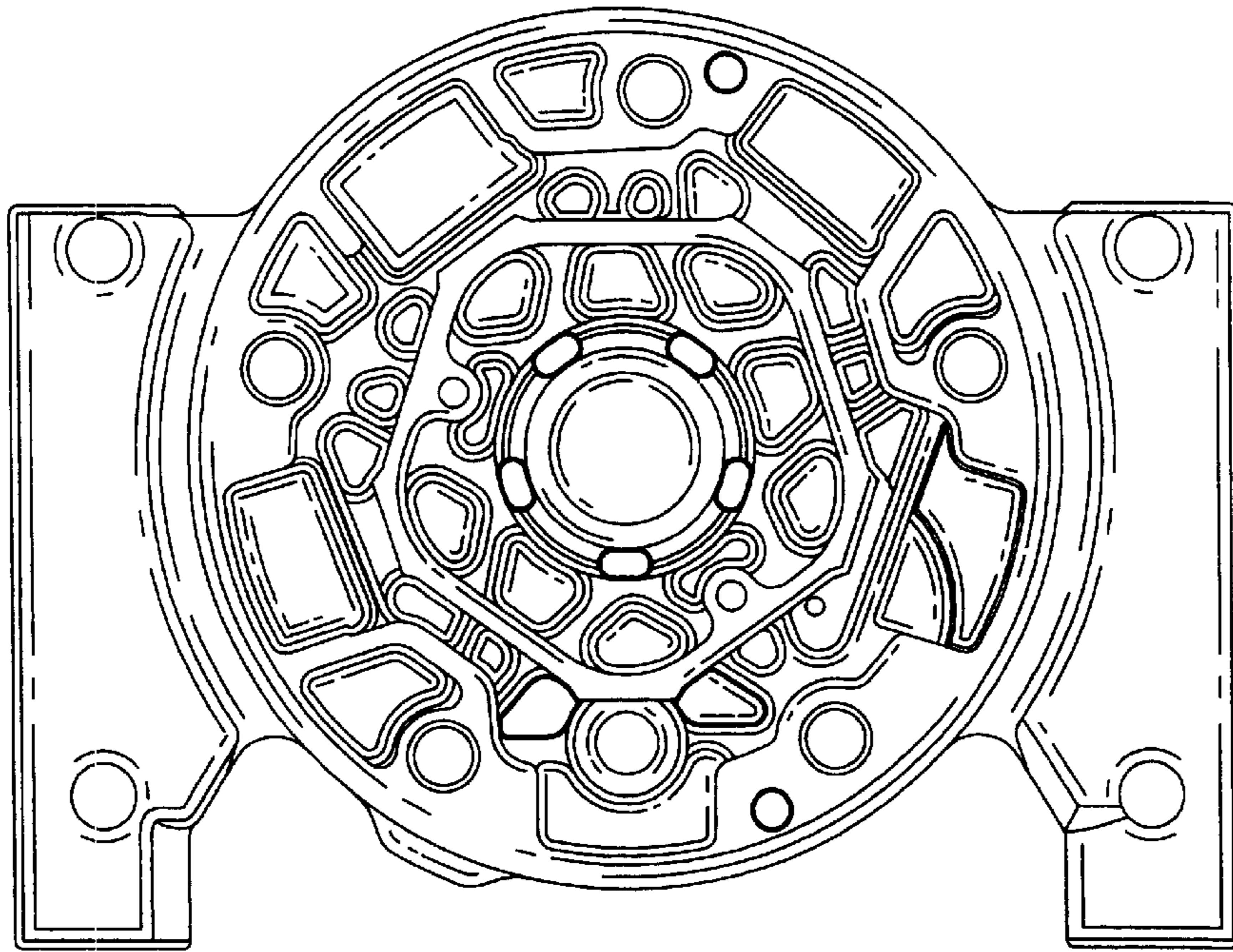


FIG. 2

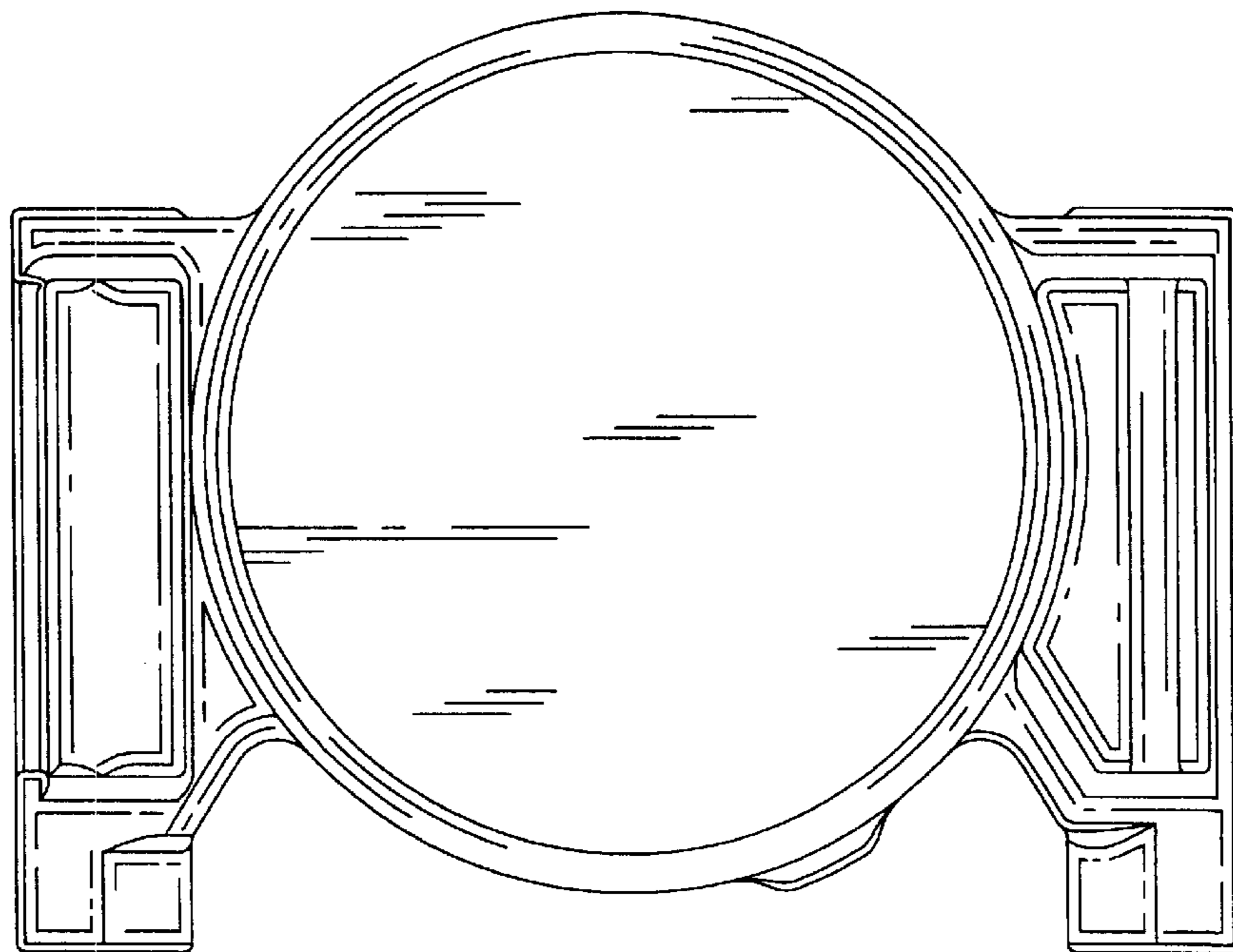


FIG. 3

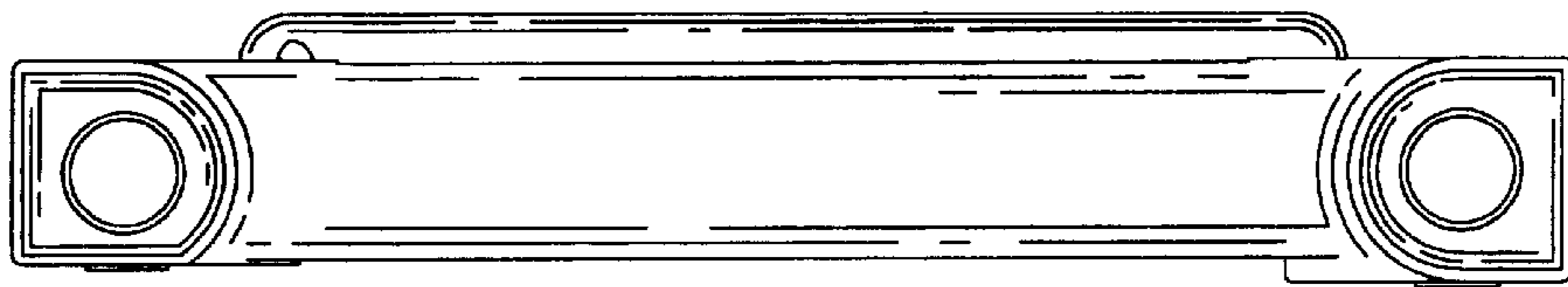


FIG. 4

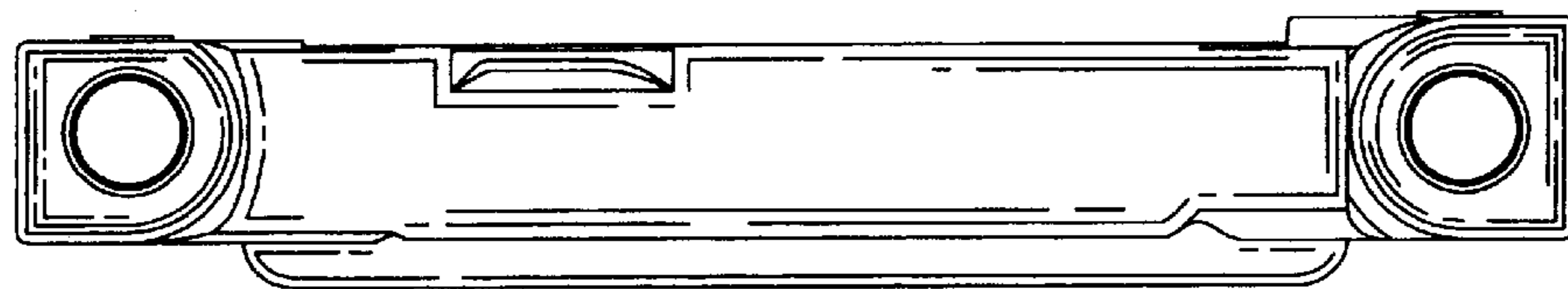


FIG. 5

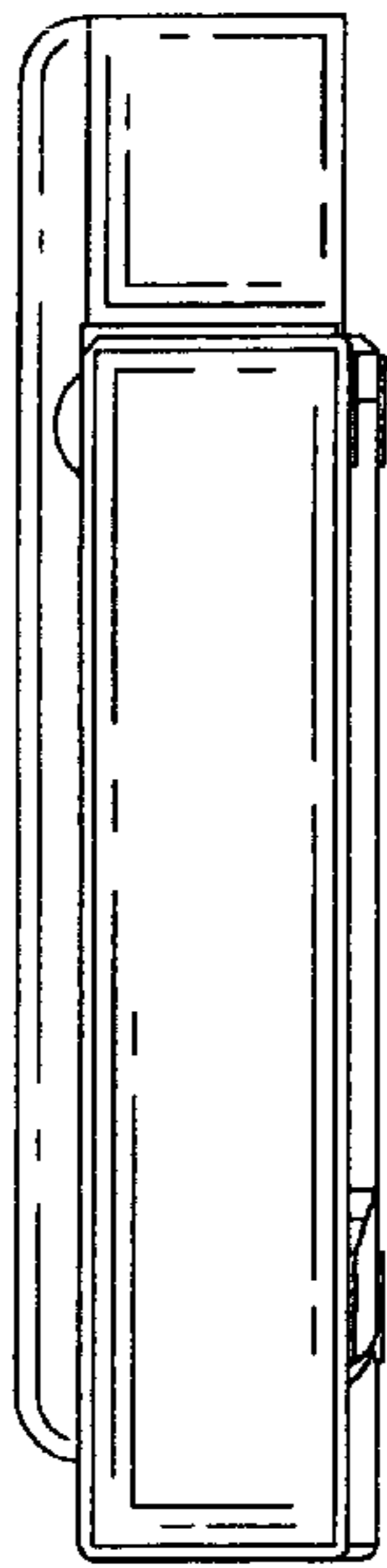


FIG. 6

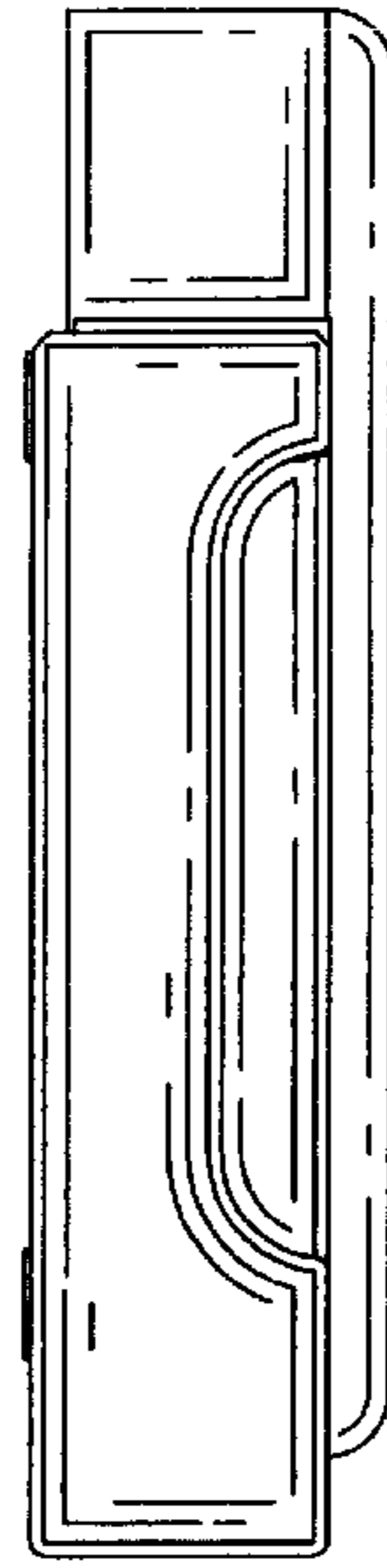


FIG. 7

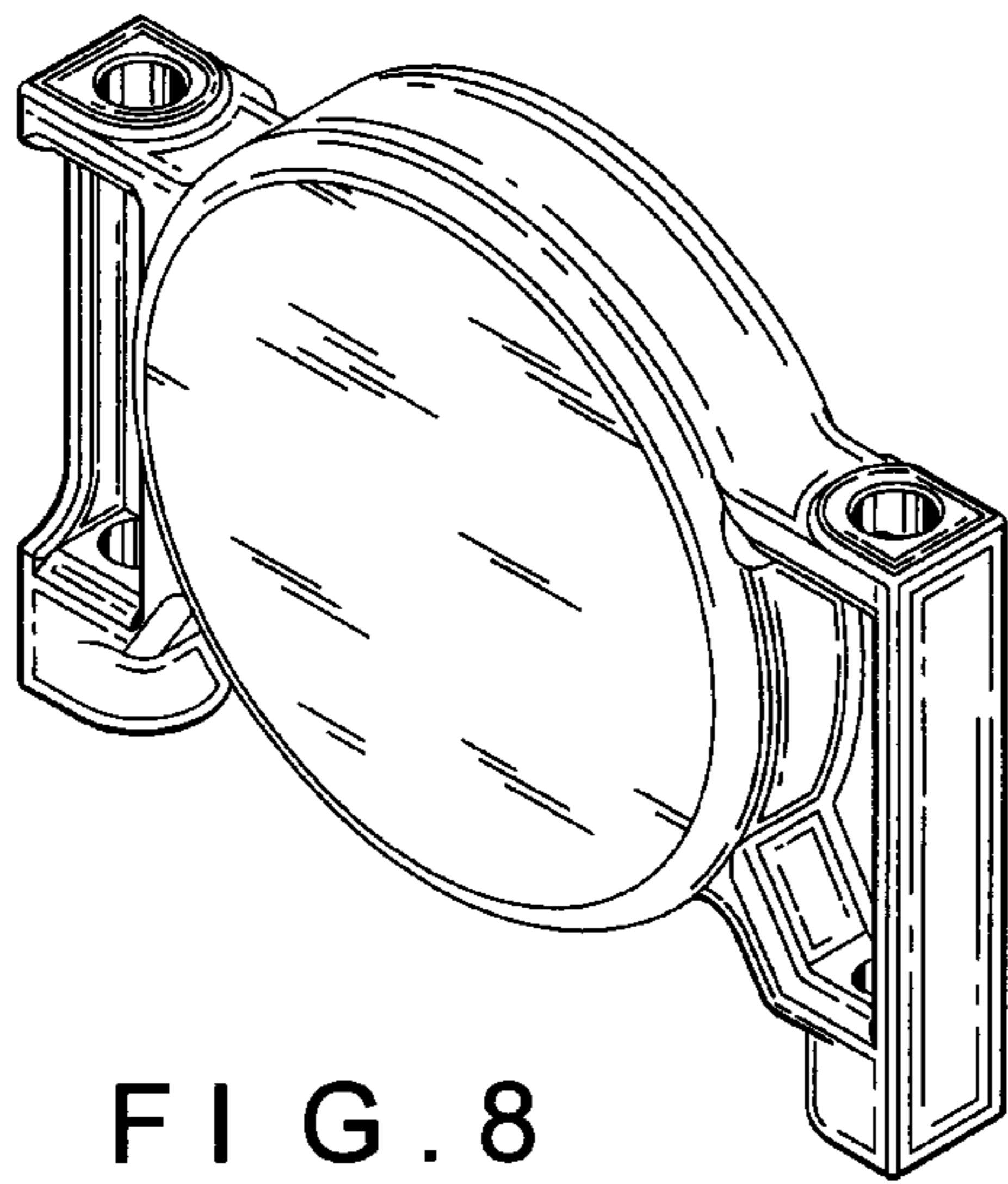


FIG. 8

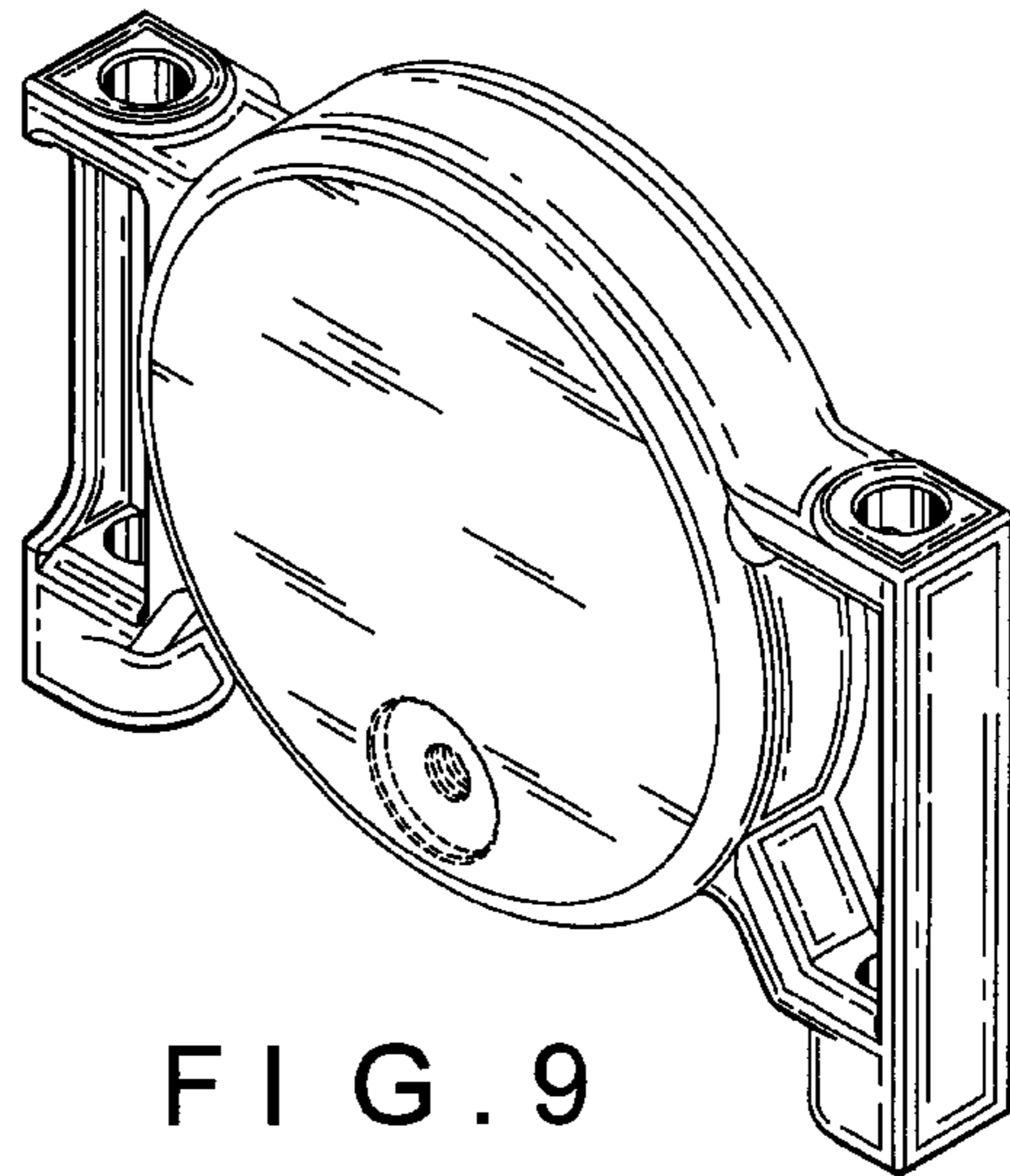


FIG. 9