



US00D541306S

(12) **United States Design Patent**
Welsh et al.

(10) **Patent No.:** **US D541,306 S**

(45) **Date of Patent:** **** Apr. 24, 2007**

(54) **AIR COMPRESSOR**

(75) Inventors: **Robert P. Welsh**, Hunt Valley, MD
(US); **John E. Buck**, Cockeysville, MD
(US)

(73) Assignee: **Black & Decker Inc.**, Newark, DE
(US)

(**) Term: **14 Years**

(21) Appl. No.: **29/257,631**

(22) Filed: **Apr. 7, 2006**

Related U.S. Application Data

(63) Continuation-in-part of application No. 11/343,085, filed on Jan. 30, 2006, which is a continuation-in-part of application No. 10/805,987, filed on Mar. 22, 2004, now Pat. No. 6,994,529, which is a continuation-in-part of application No. 10/630,090, filed on Jul. 30, 2003, now Pat. No. 6,994,528, which is a continuation of application No. 10/154,416, filed on May 23, 2002, now Pat. No. 6,942,464.

(51) **LOC (8) Cl.** **15-02**

(52) **U.S. Cl.** **D15/9**

(58) **Field of Classification Search** D15/7-9;
D23/232, 231; 417/359, 415-416, 410.1,
417/321, 265, 405

See application file for complete search history.

(56) **References Cited**

U.S. PATENT DOCUMENTS

D460,763 S * 7/2002 Buck D15/9

D461,196 S * 8/2002 Buck D15/9
D482,371 S * 11/2003 Buck D15/9
D491,197 S * 6/2004 Stilwell et al. D15/9
D493,179 S * 7/2004 Buck D15/9
D499,430 S * 12/2004 Buck D15/9
D499,747 S * 12/2004 Buck D15/9
D500,051 S * 12/2004 Lucchi D15/9
D512,075 S * 11/2005 Buck D15/9

* cited by examiner

Primary Examiner—Ralf Seifert

(74) *Attorney, Agent, or Firm*—Scott B. Markow

(57) **CLAIM**

The ornamental design for an air compressor, as shown and described.

DESCRIPTION

FIG. 1 is a right/front perspective view of an air compressor showing our new design.

FIG. 2 is a left/front perspective view thereof.

FIG. 3 is a front view thereof.

FIG. 4 is a rear view thereof.

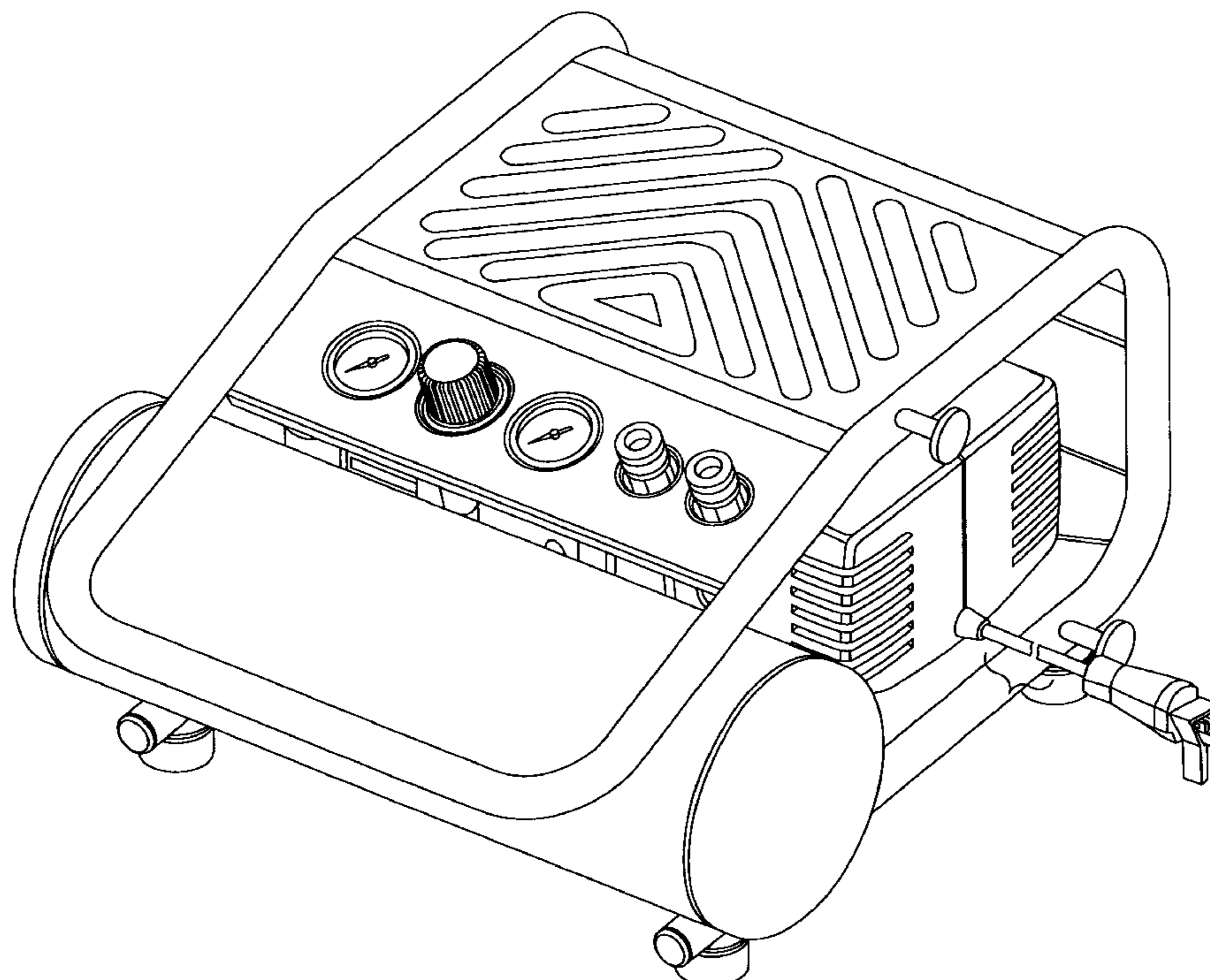
FIG. 5 is a left side view thereof.

FIG. 6 is a right side view thereof.

FIG. 7 is a top view thereof; and,

FIG. 8 is a bottom view thereof.

1 Claim, 8 Drawing Sheets



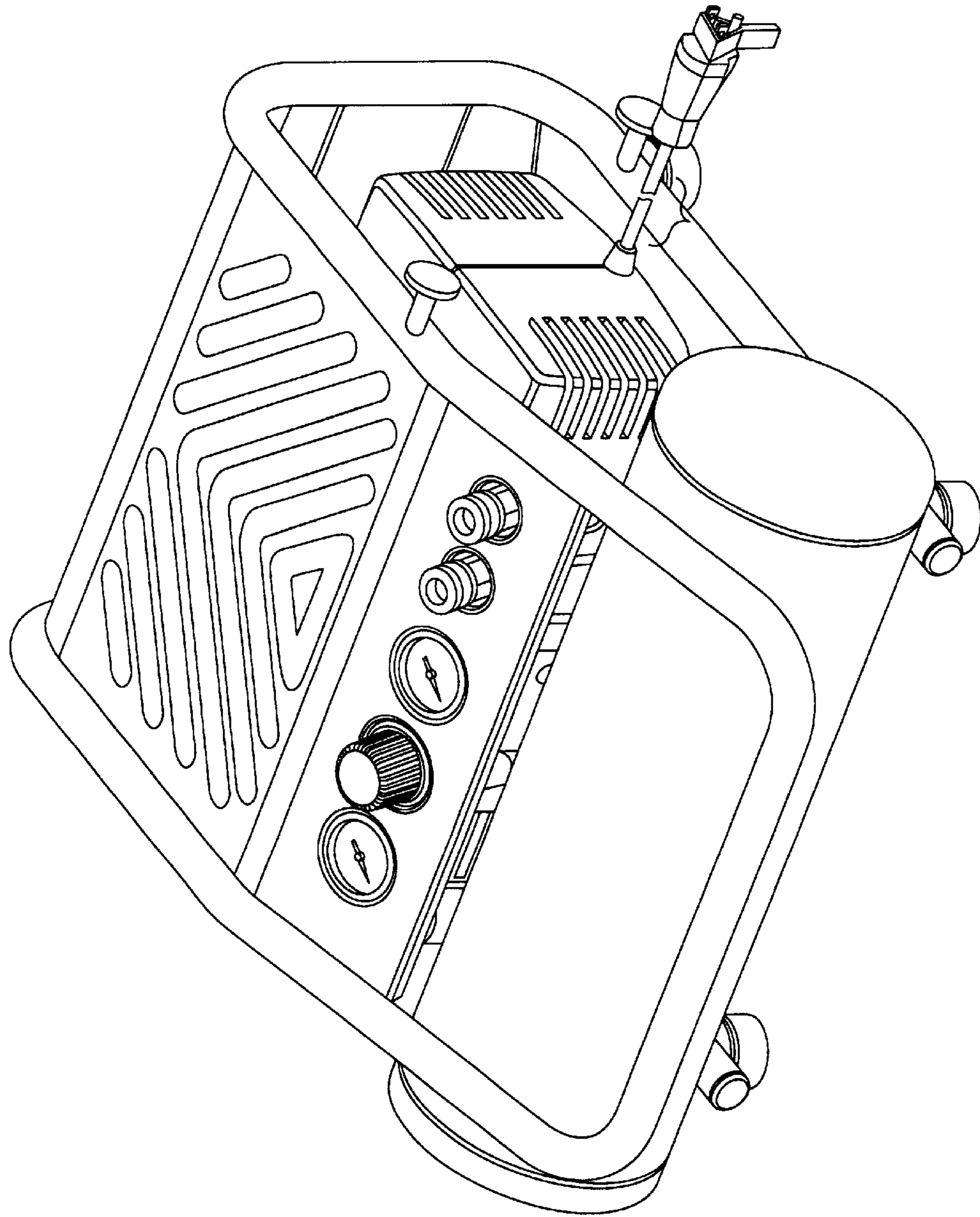


FIG. 1

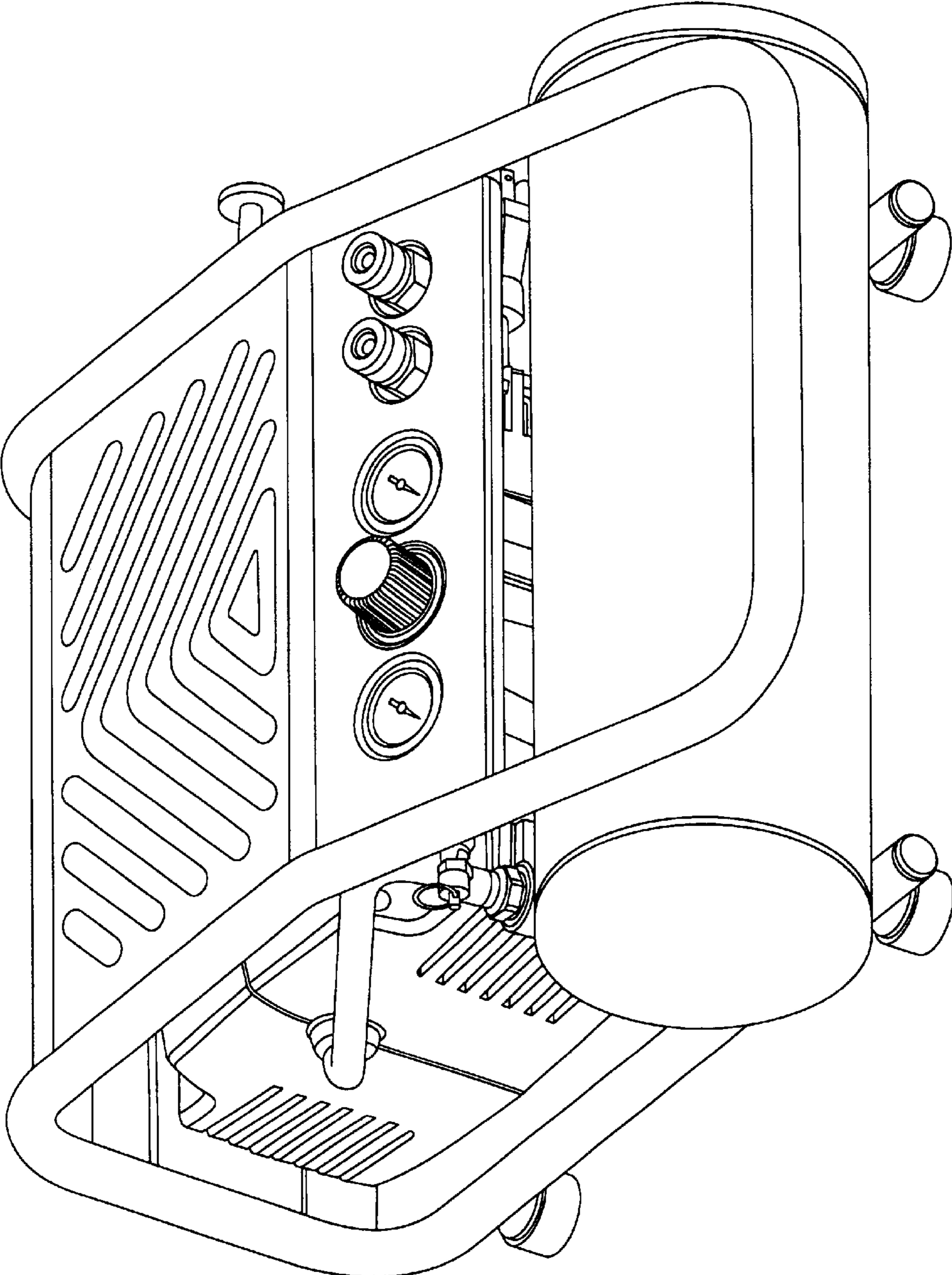


FIG. 2

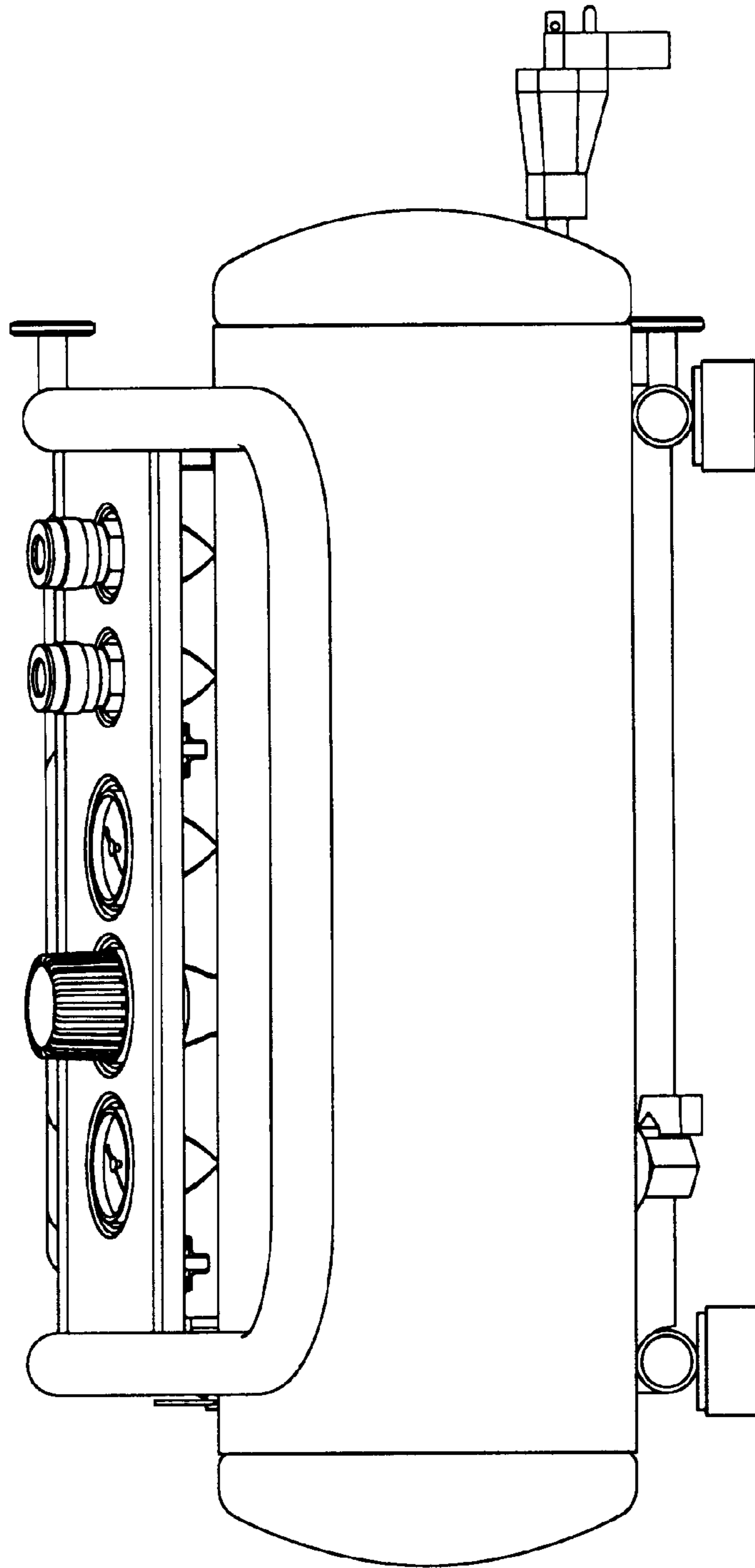


FIG. 3

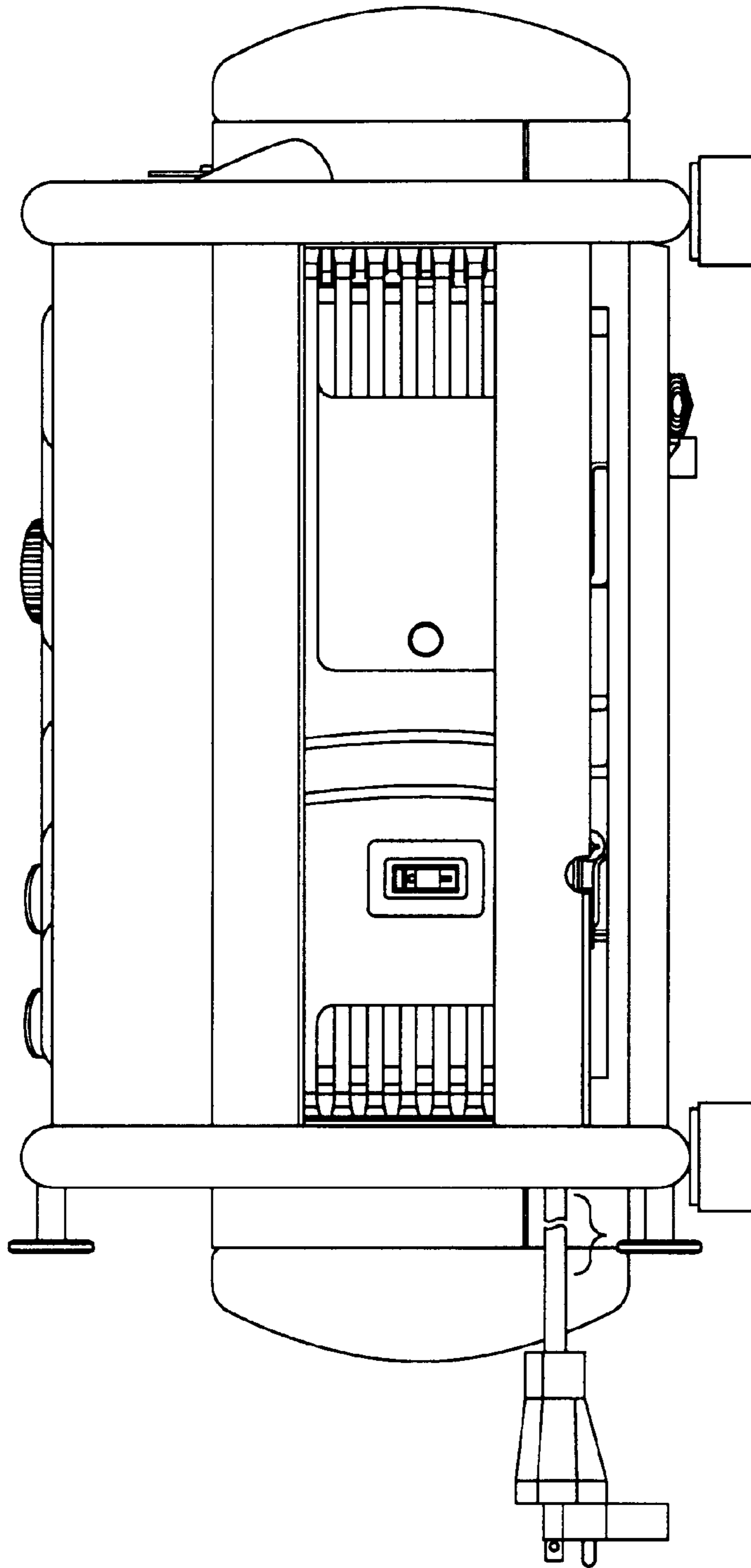


FIG. 4

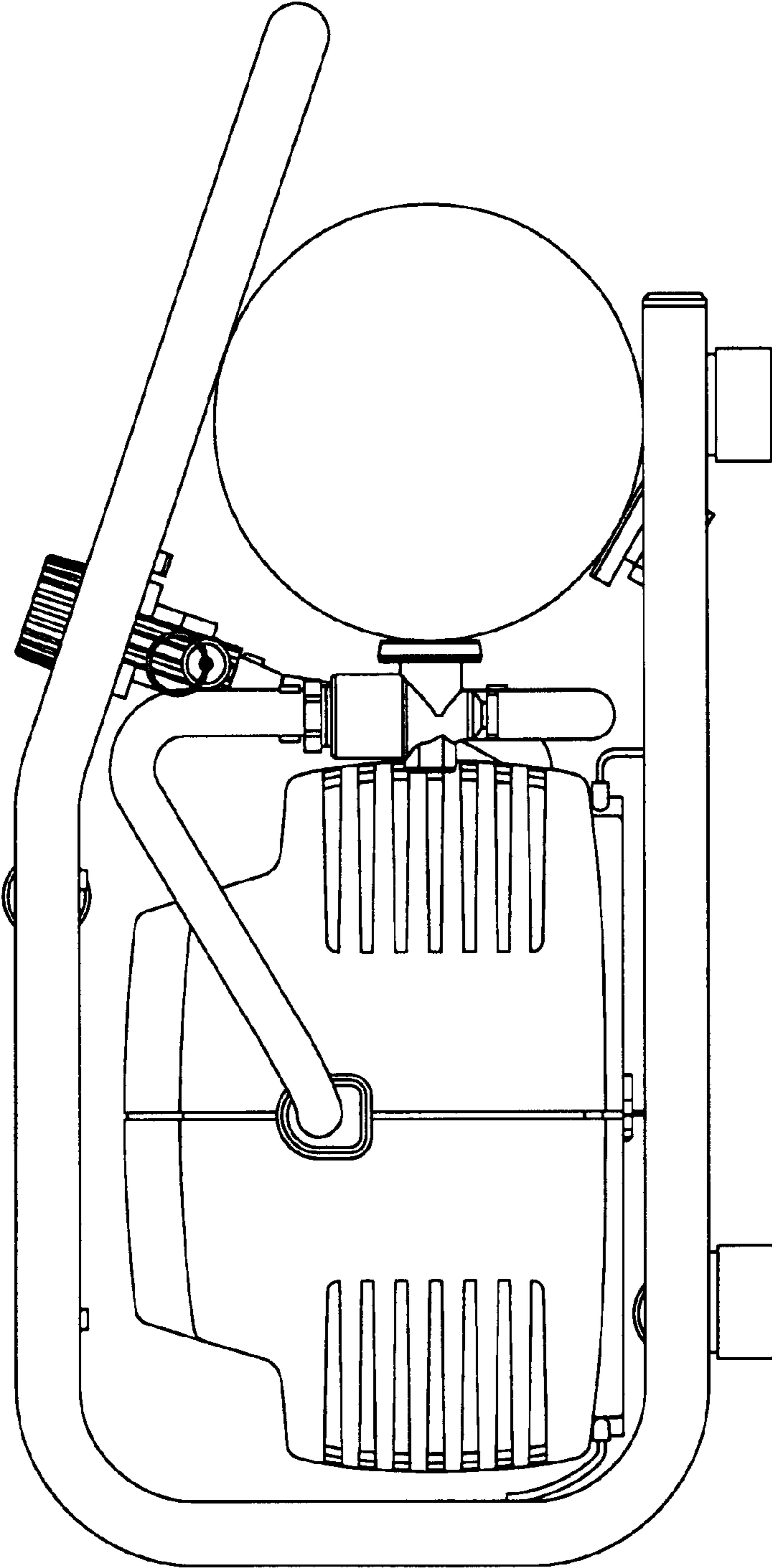


FIG. 5

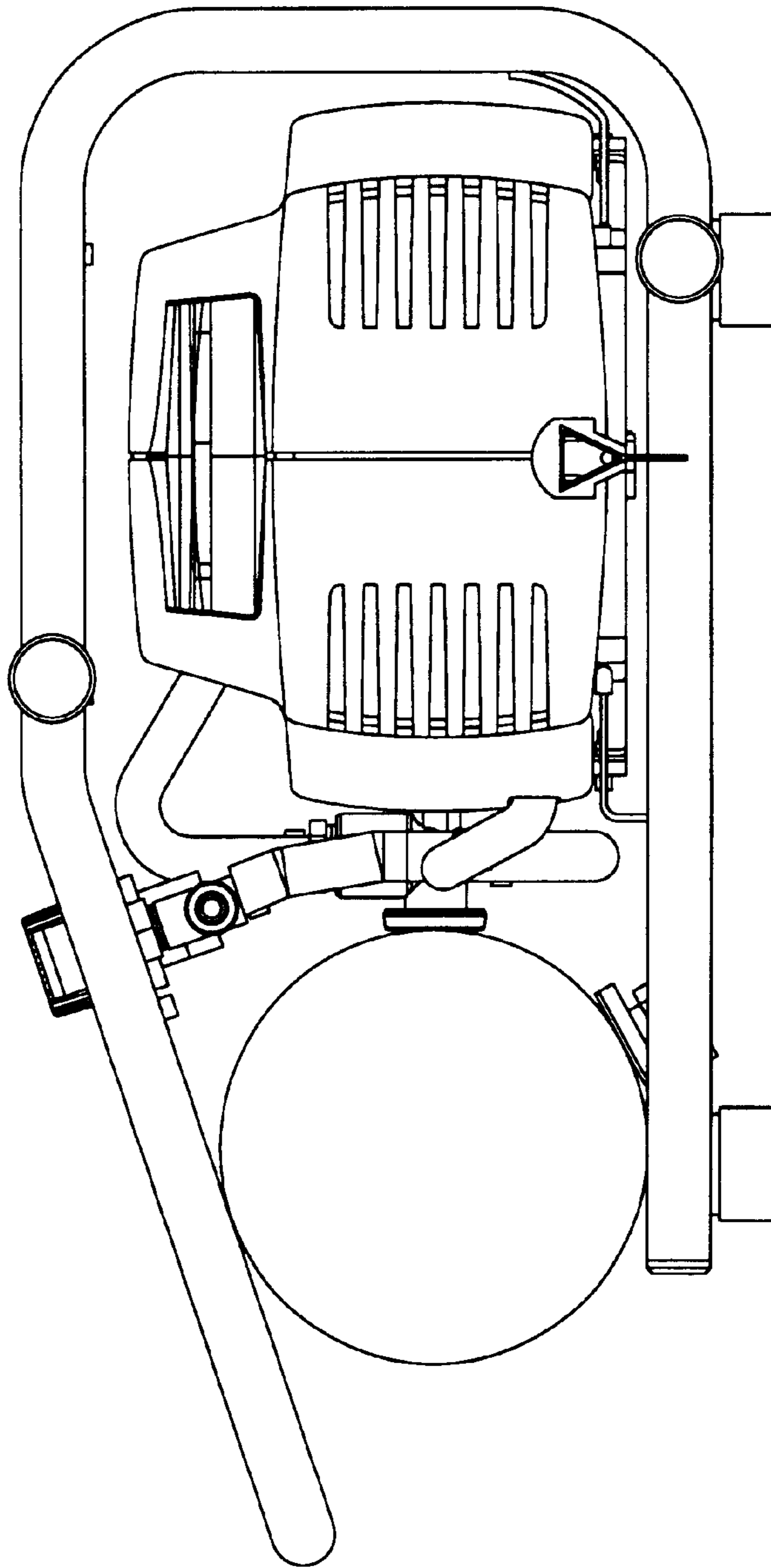


FIG. 6

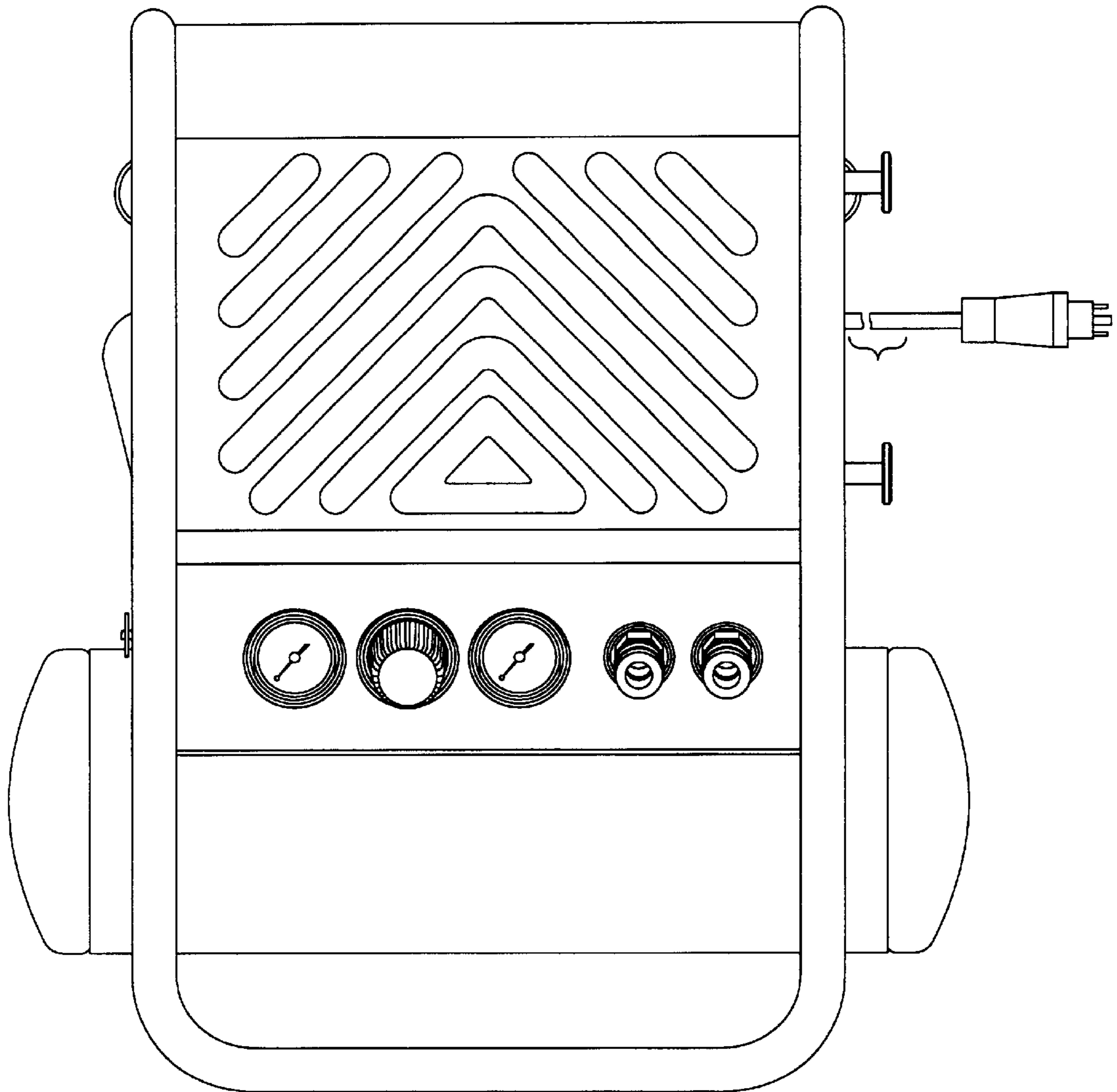


FIG. 7

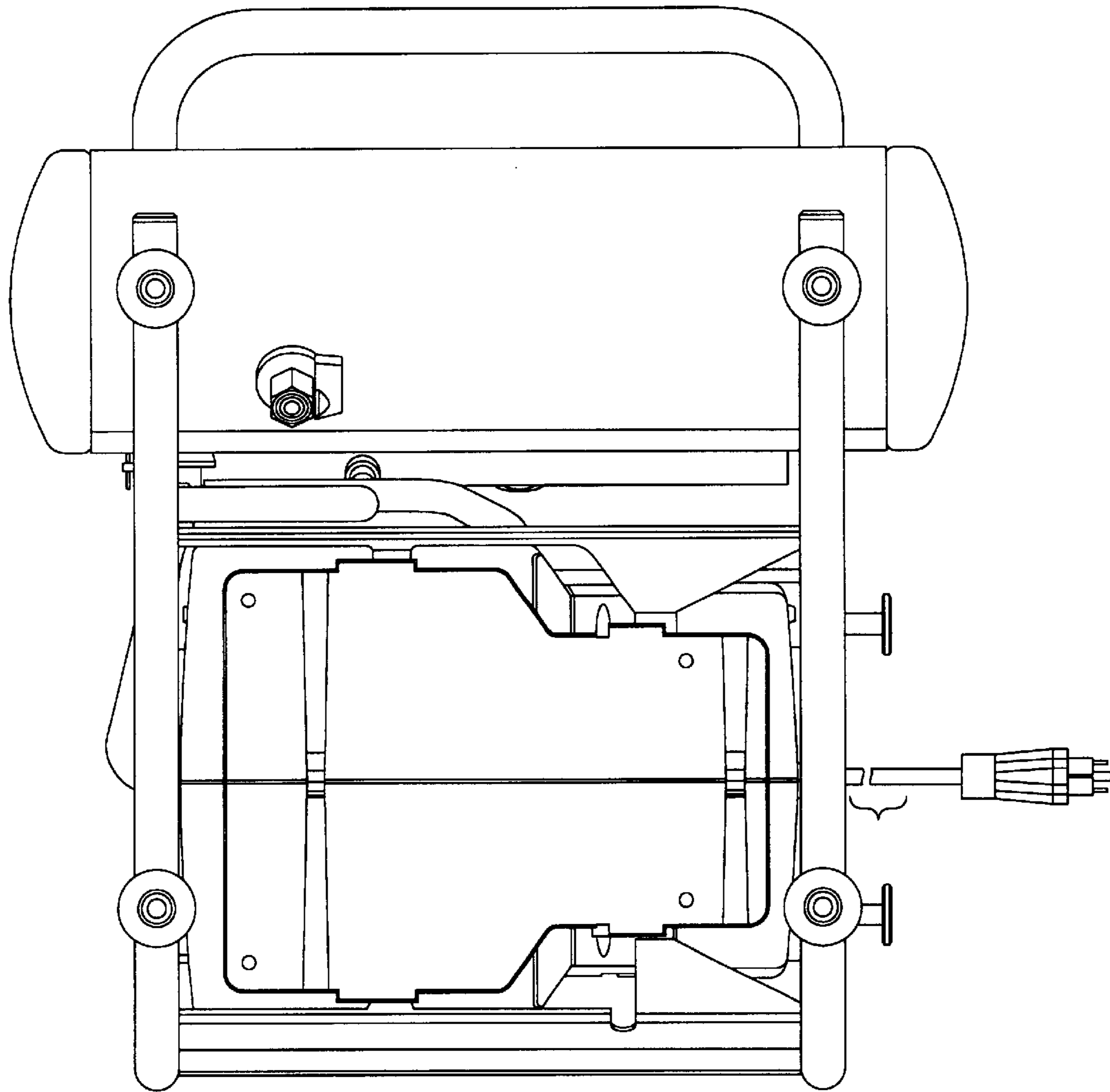


FIG. 8