



US00D541305S

(12) **United States Design Patent**  
**Hernandez et al.**

(10) **Patent No.:** **US D541,305 S**

(45) **Date of Patent:** **\*\* Apr. 24, 2007**

(54) **COMPRESSOR APPARATUS**

(75) Inventors: **Hector R. Hernandez**, Fullerton, CA (US); **Jaime W. Nash**, Rancho Santa Margarita, CA (US)

(73) Assignee: **Alltrade Tools LLC**, Long Beach, CA (US)

(\*\*) Term: **14 Years**

(21) Appl. No.: **29/241,170**

(22) Filed: **Oct. 25, 2005**

D499,431 S 12/2004 Chen  
D500,050 S 12/2004 Lucchi  
D500,052 S 12/2004 Lucchi  
D500,328 S 12/2004 Lucchi  
D505,430 S 5/2005 Buck

\* cited by examiner

*Primary Examiner*—Ralf Seifert

(74) *Attorney, Agent, or Firm*—Fulwider Patton LLP

(57) **CLAIM**

The new ornamental design of a compressor apparatus, as shown and described.

**Related U.S. Application Data**

(63) Continuation of application No. 29/216,288, filed on Nov. 1, 2004, now Pat. No. Des. 513,619.

(51) **LOC (8) Cl.** ..... **15-02**

(52) **U.S. Cl.** ..... **D15/9**

(58) **Field of Classification Search** ..... D15/7-9;  
D23/232, 231; 417/359, 415-416, 410.1,  
417/321, 265, 405

See application file for complete search history.

(56) **References Cited**

**U.S. PATENT DOCUMENTS**

D444,796 S 7/2001 Morgan  
D454,357 S 3/2002 Diels  
D485,508 S \* 1/2004 Hacmon ..... D11/90  
D485,782 S \* 1/2004 Hacmon ..... D11/90

**DESCRIPTION**

FIG. 1 is a perspective view, depicting a compressor apparatus of the present invention;

FIG. 2 is a perspective view, depicting the compressor apparatus of FIG. 1 rotated clockwise;

FIG. 3 is an elevational view, depicting a rear view of the compressor apparatus of the present invention;

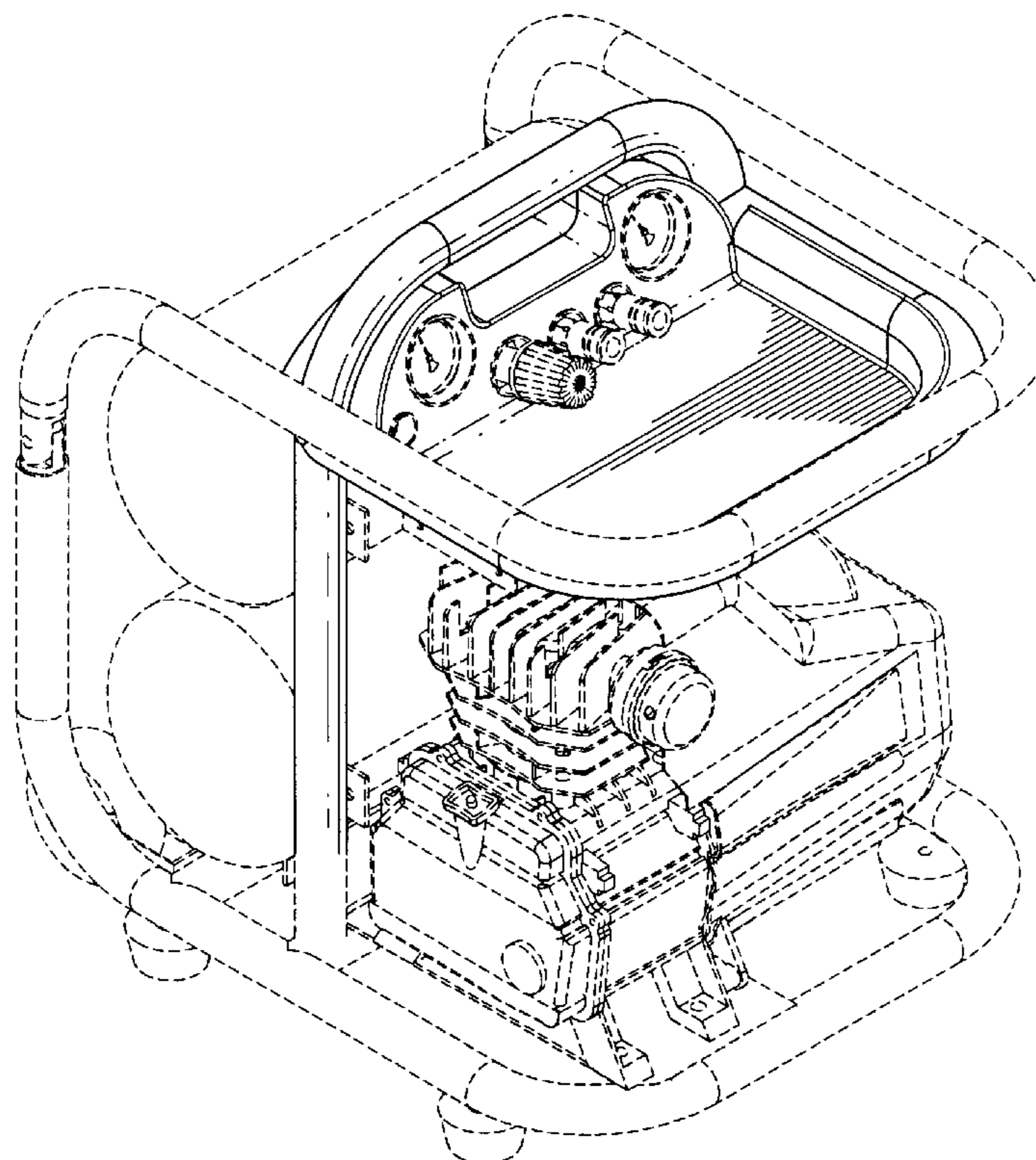
FIG. 4 is an elevational view, depicting a left side view of the compressor apparatus of the present invention;

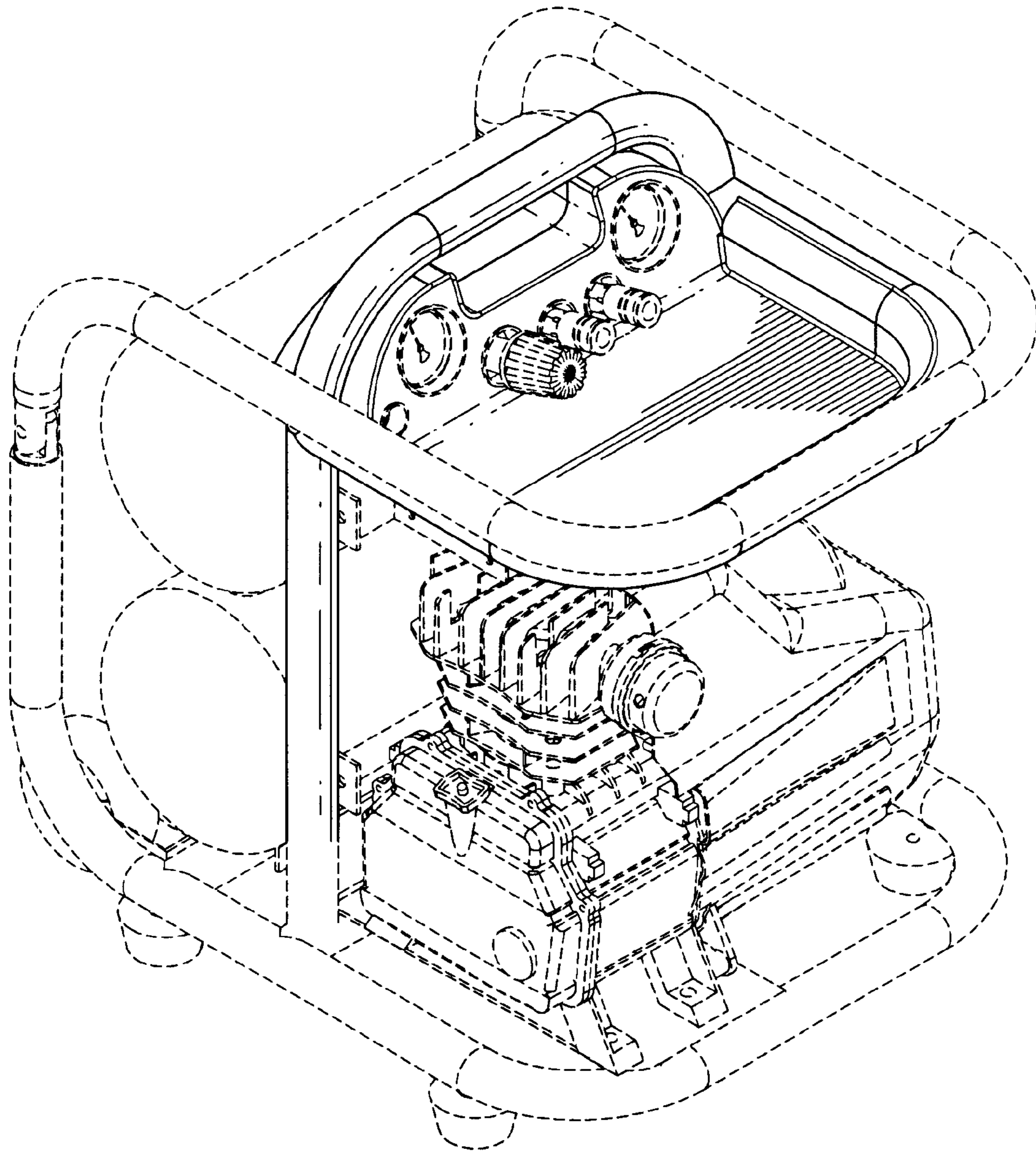
FIG. 5 is an elevational view, depicting a right side view of the compressor apparatus of the present invention;

FIG. 6 is a top view, depicting an upper side view of the compressor apparatus of the present invention; and,

FIG. 7 is a bottom view, depicting a lower side view of the compressor apparatus of the present invention.

**1 Claim, 4 Drawing Sheets**





**FIG. 1**

FIG. 2

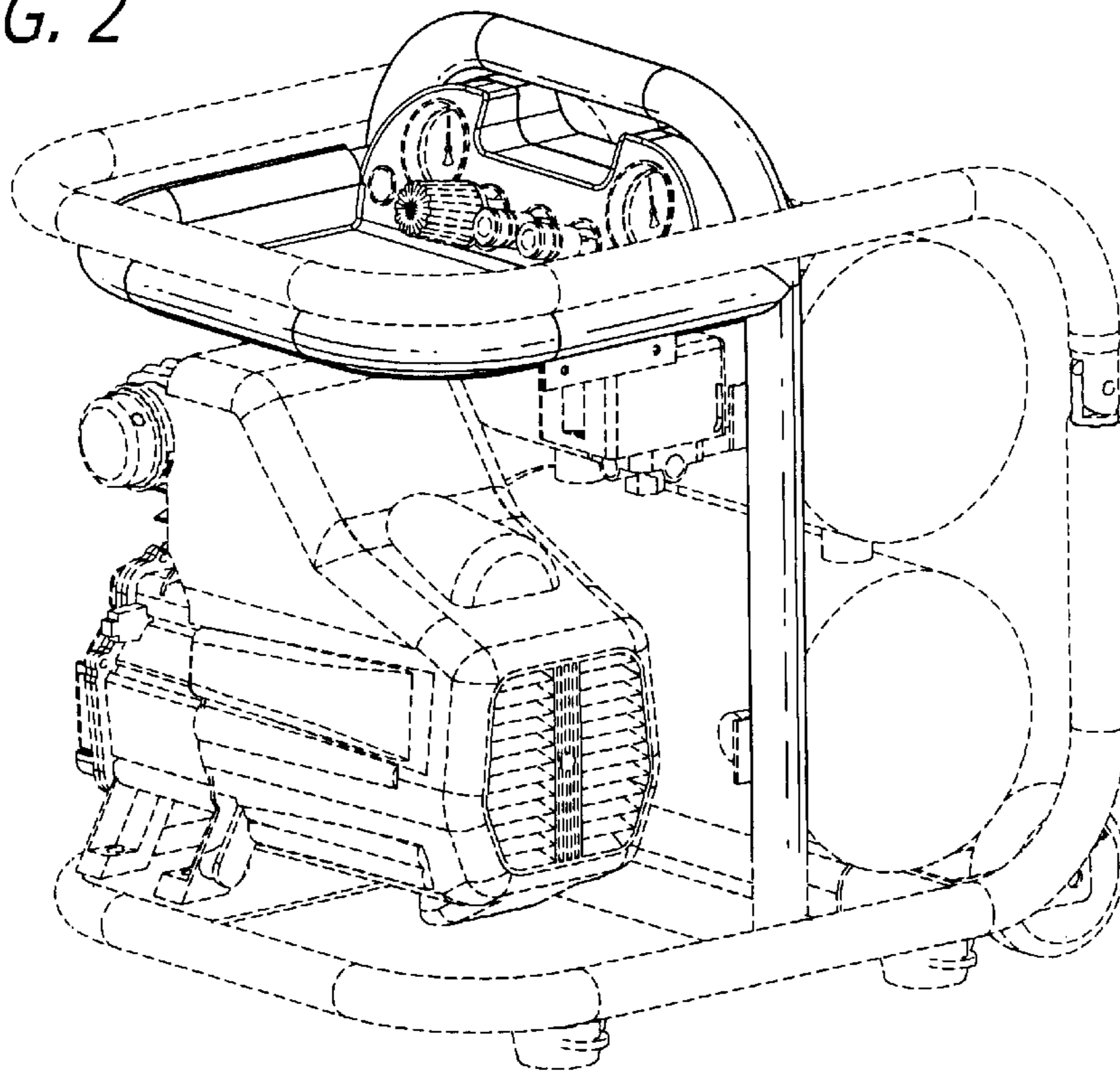


FIG. 3

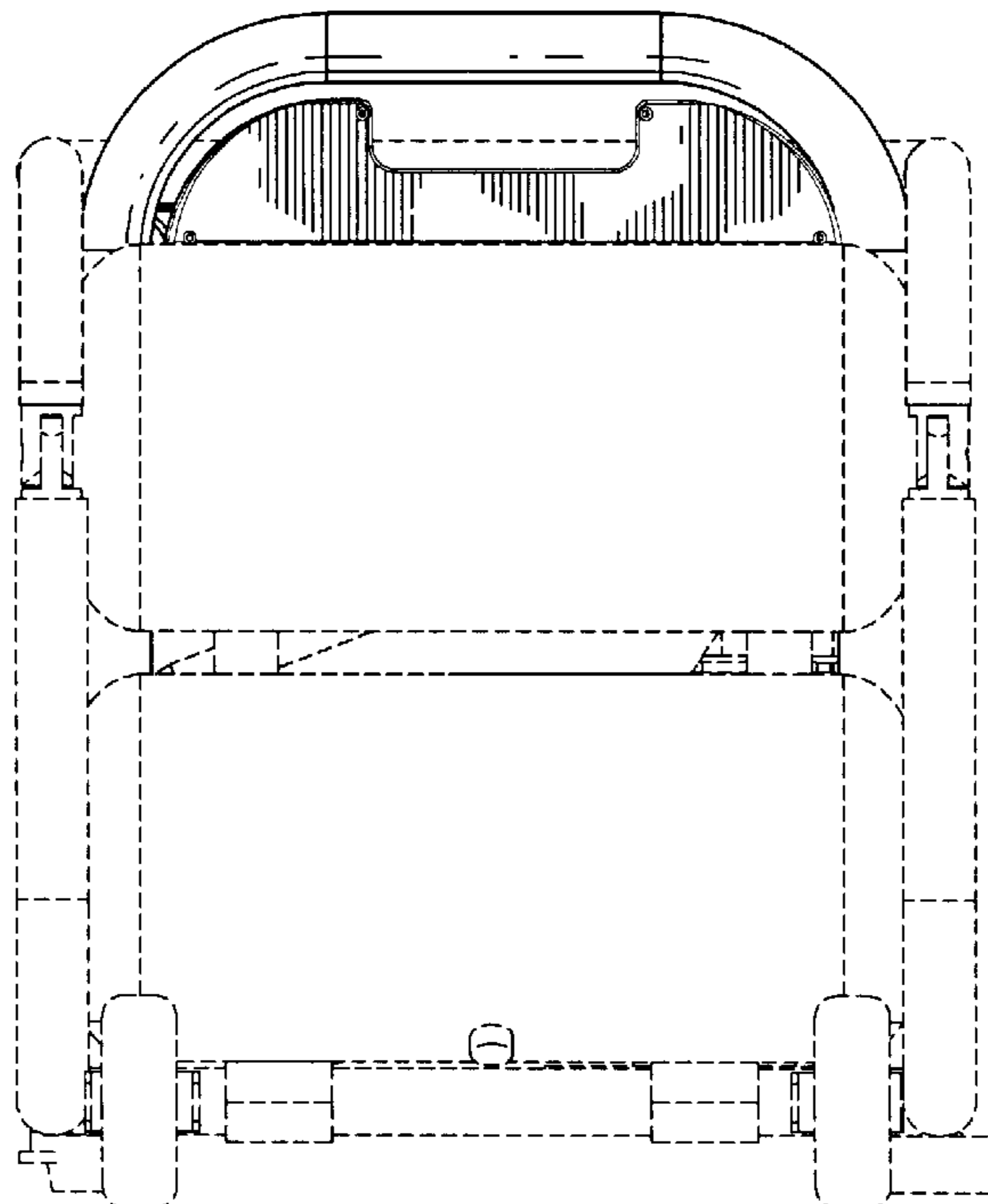


FIG. 4

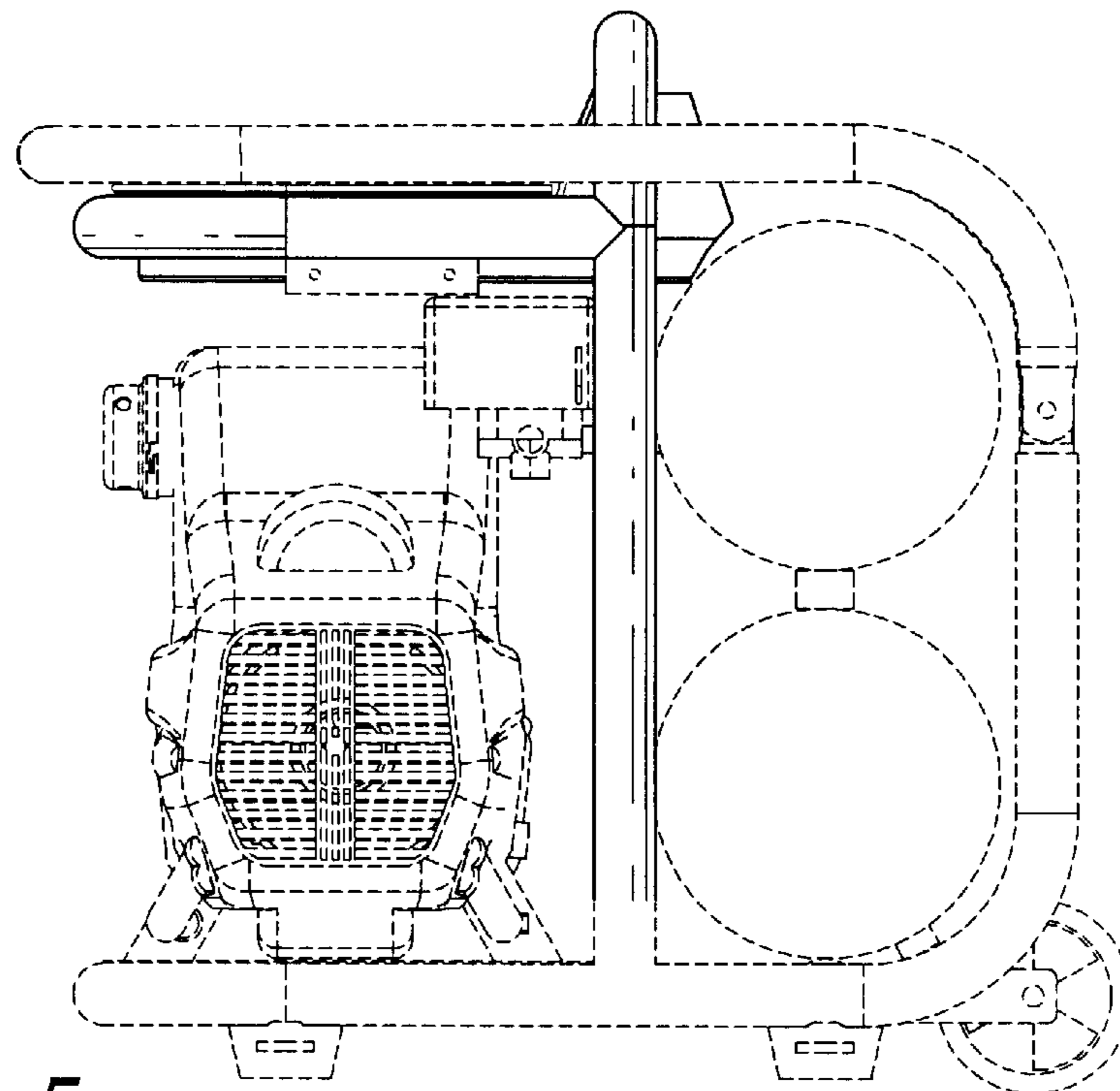
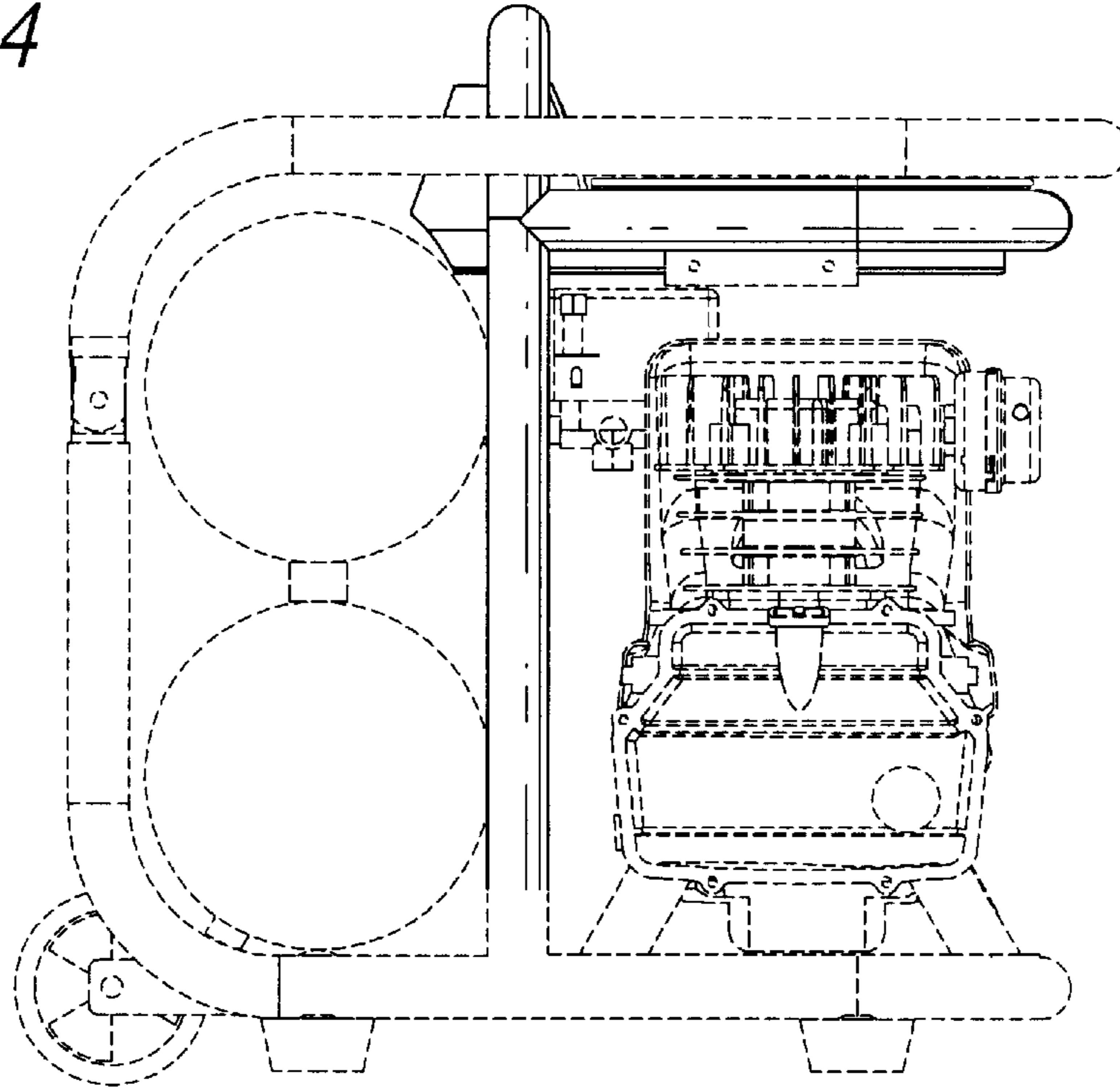


FIG. 5

FIG. 6

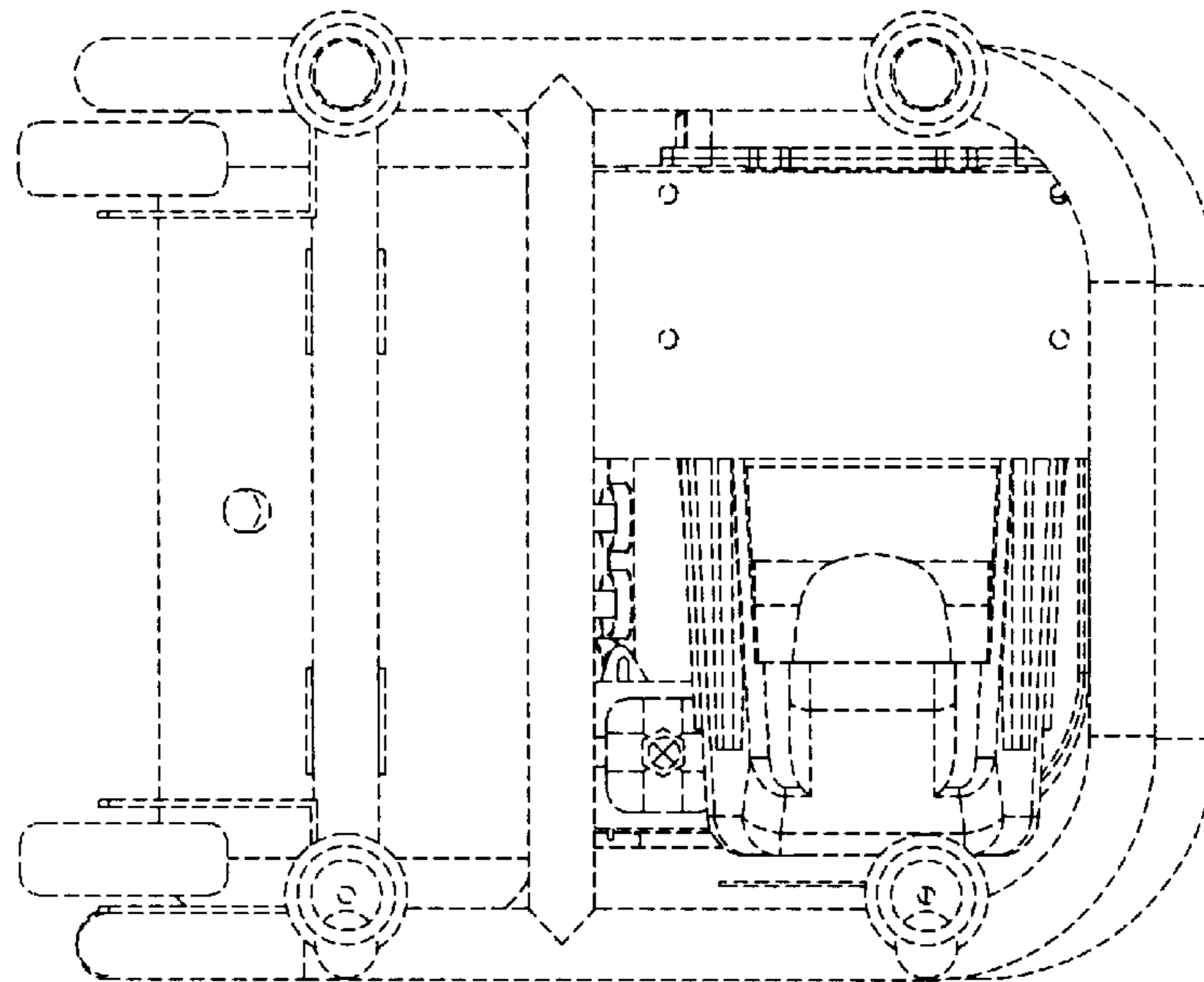
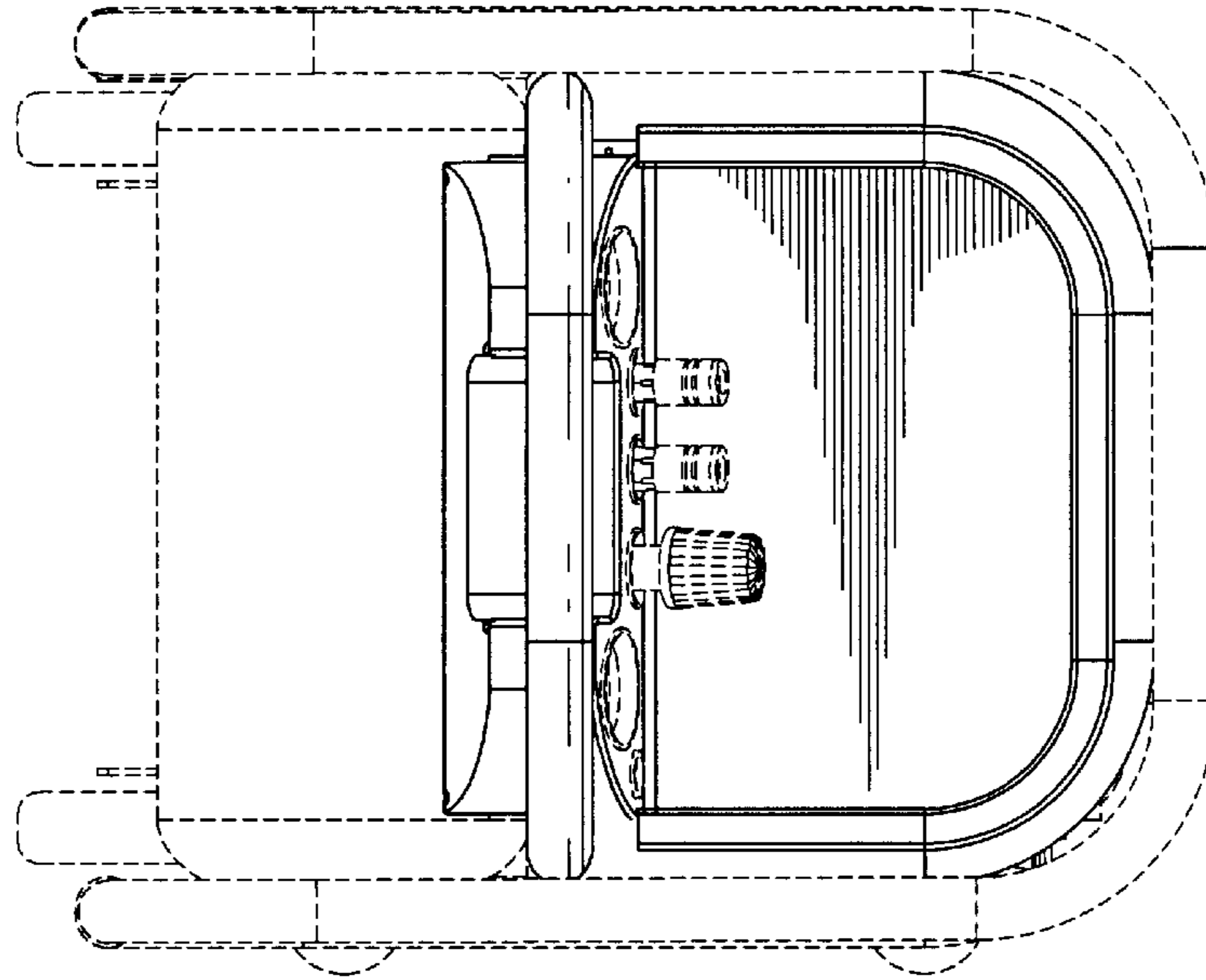


FIG. 7