



US00D541301S

(12) **United States Design Patent**
Cimbura

(10) **Patent No.:** **US D541,301 S**

(45) **Date of Patent:** **** *Apr. 24, 2007**

(54) **WIDE BASE FUEL INJECTION HOUSING**

(75) **Inventor:** **David J. Cimbura**, Denver, CO (US)

(73) **Assignee:** **Momar Injection, Inc.**, Denver, CO (US)

(*) **Notice:** This patent is subject to a terminal disclaimer.

(**) **Term:** **14 Years**

(21) **Appl. No.:** **29/237,651**

(22) **Filed:** **Sep. 2, 2005**

(51) **LOC (8) Cl.** **15-01**

(52) **U.S. Cl.** **D15/5**

(58) **Field of Classification Search** D23/233;
D15/5; 123/587-588, 452-453, 179.16, 495,
123/432, 366-367, 472, 403, 590, 593, 184.21,
123/184.32, 184.36; 251/129.15
See application file for complete search history.

(56) **References Cited**

U.S. PATENT DOCUMENTS

1,499,794 A * 7/1924 Wennerby 123/533

4,064,854 A * 12/1977 Fehrenbach et al. 123/452

4,197,823 A * 4/1980 Schwartz et al. 123/587

5,501,192 A * 3/1996 Cutler 123/336

6,168,135 B1 * 1/2001 Fochtman 251/129.15

* cited by examiner

Primary Examiner—Jeffrey Asch

Assistant Examiner—Maurice Stevens

(74) *Attorney, Agent, or Firm*—Edwin H. Crabtree; Ramon L. Pizarro

(57) **CLAIM**

The ornamental design for a wide base fuel injection housing, as shown and described.

DESCRIPTION

FIG. 1 is a front perspective view of the wide base fuel injection housing illustrating my new design.

FIG. 2 is a top view thereof;

FIG. 3 is a front view thereof;

FIG. 4 is an end view thereof;

FIG. 5 is an opposite end view thereof;

FIG. 6 is a bottom view thereof; and,

FIG. 7 is a rear perspective view thereof.

1 Claim, 2 Drawing Sheets

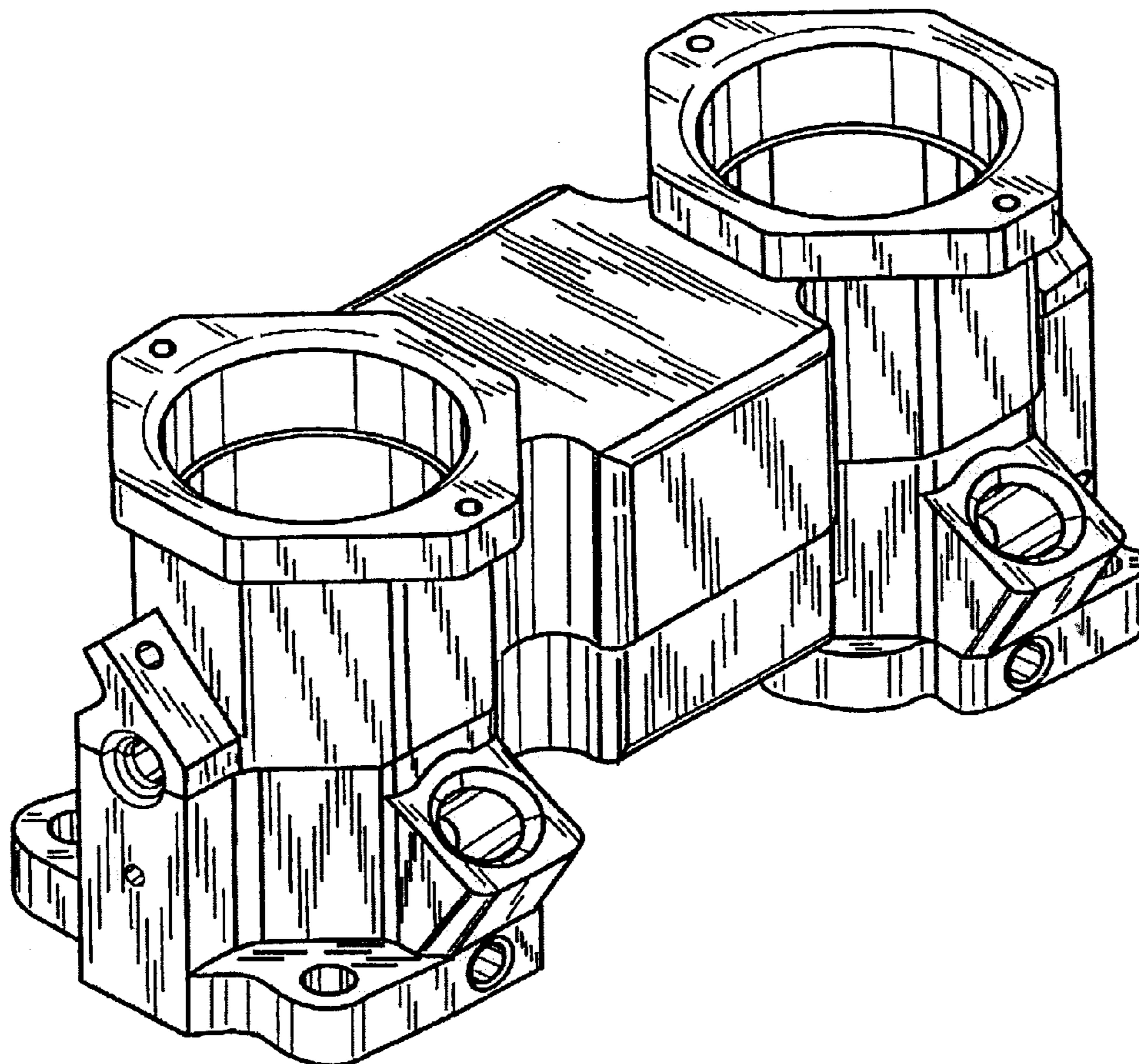


FIG. 1

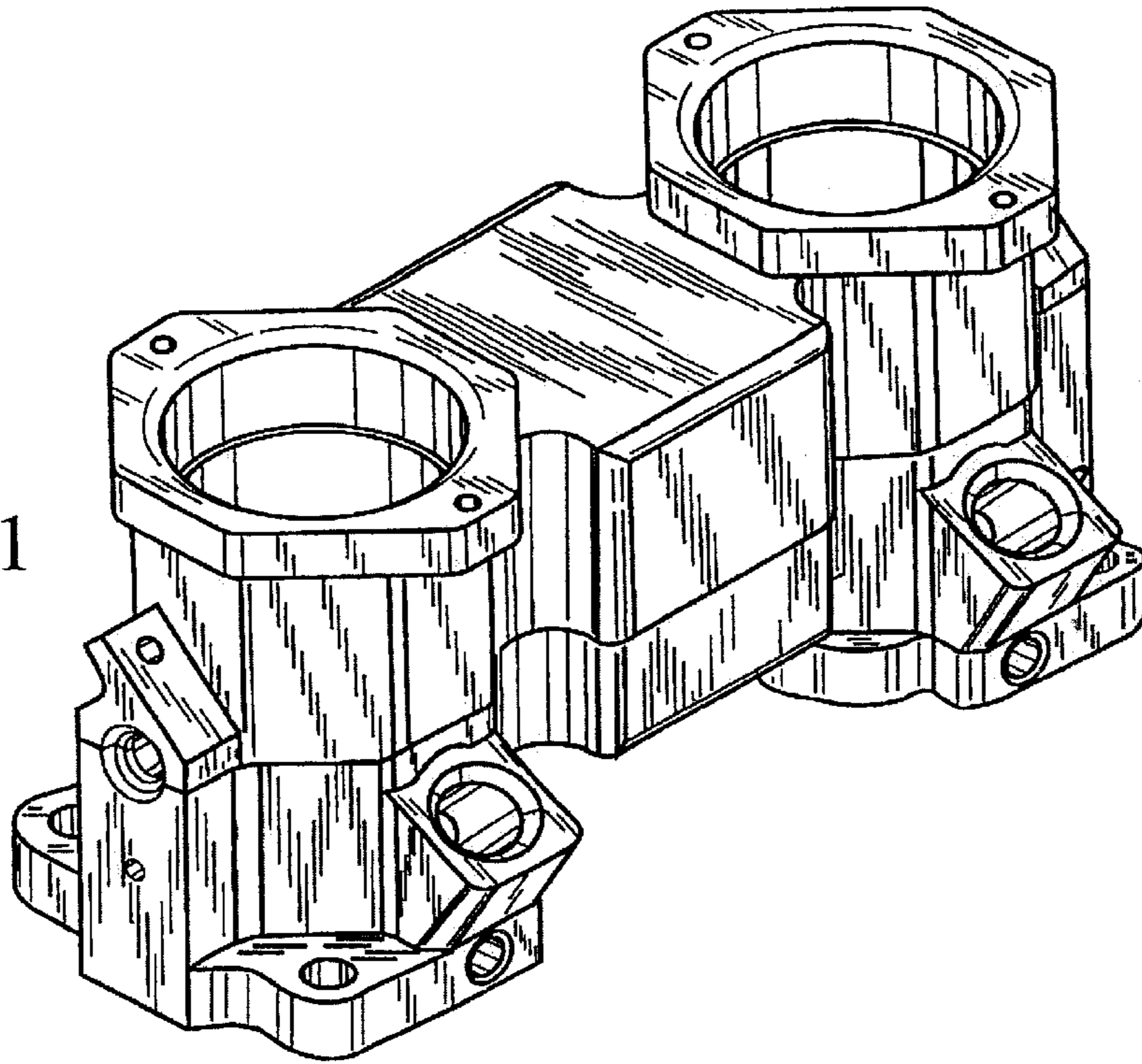


FIG. 2

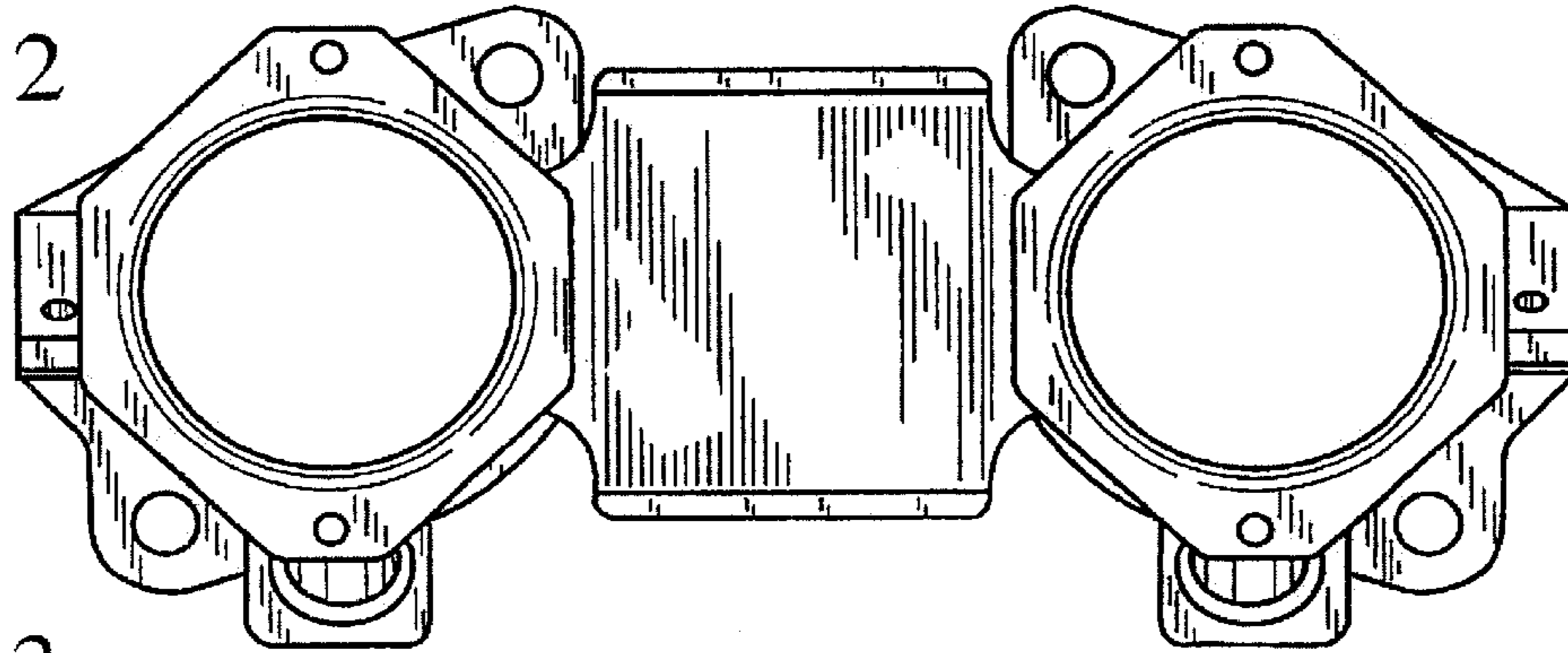
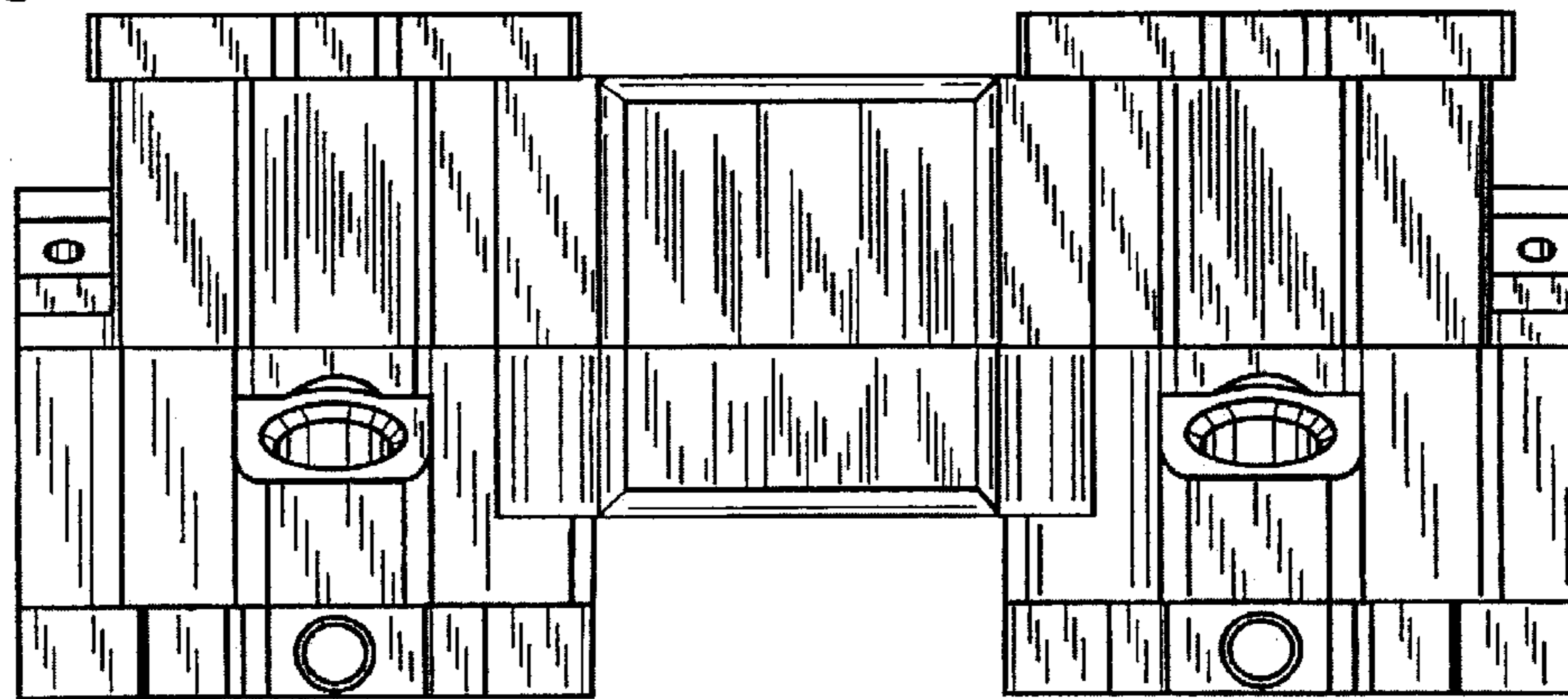


FIG. 3



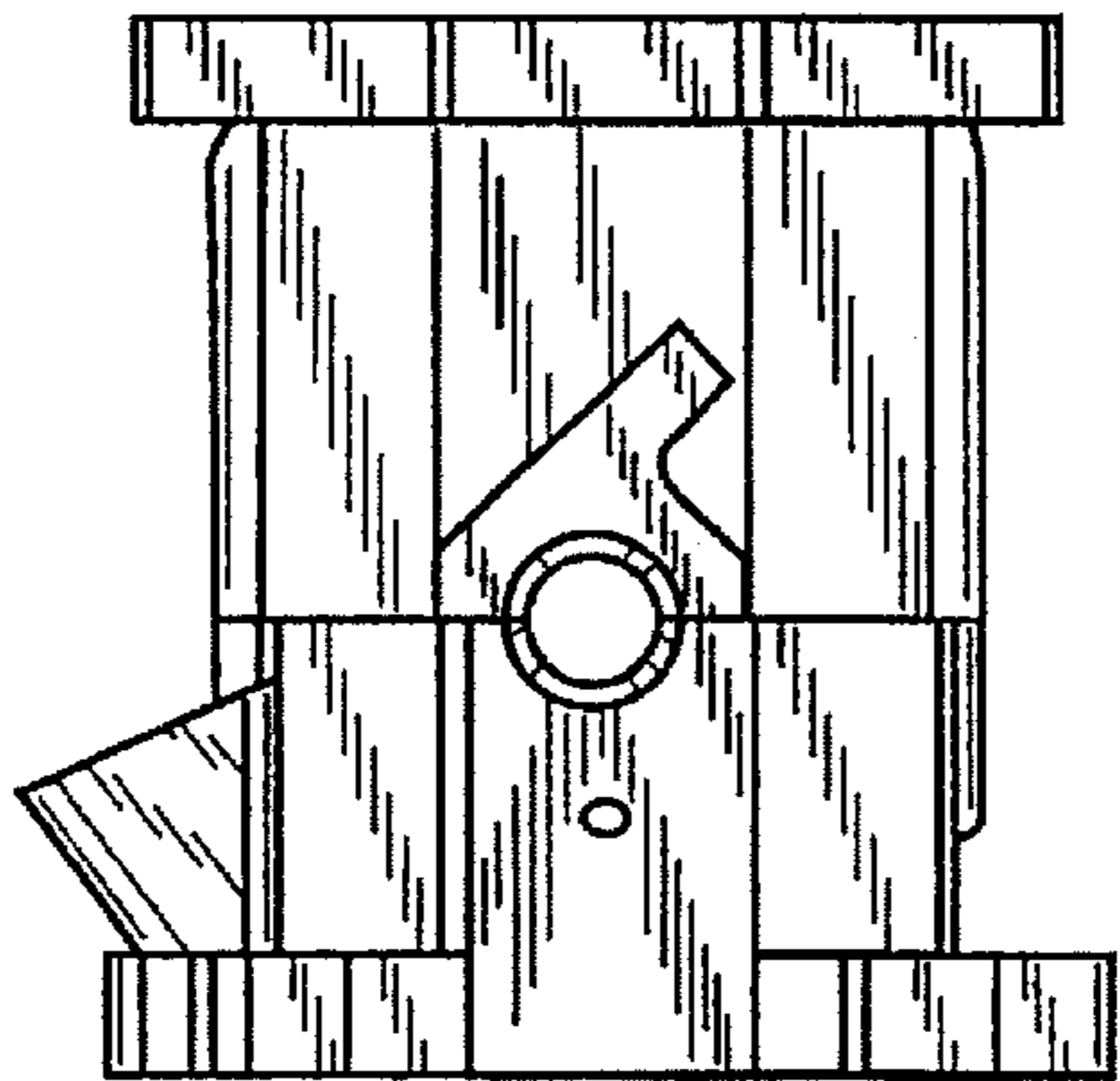


FIG. 4

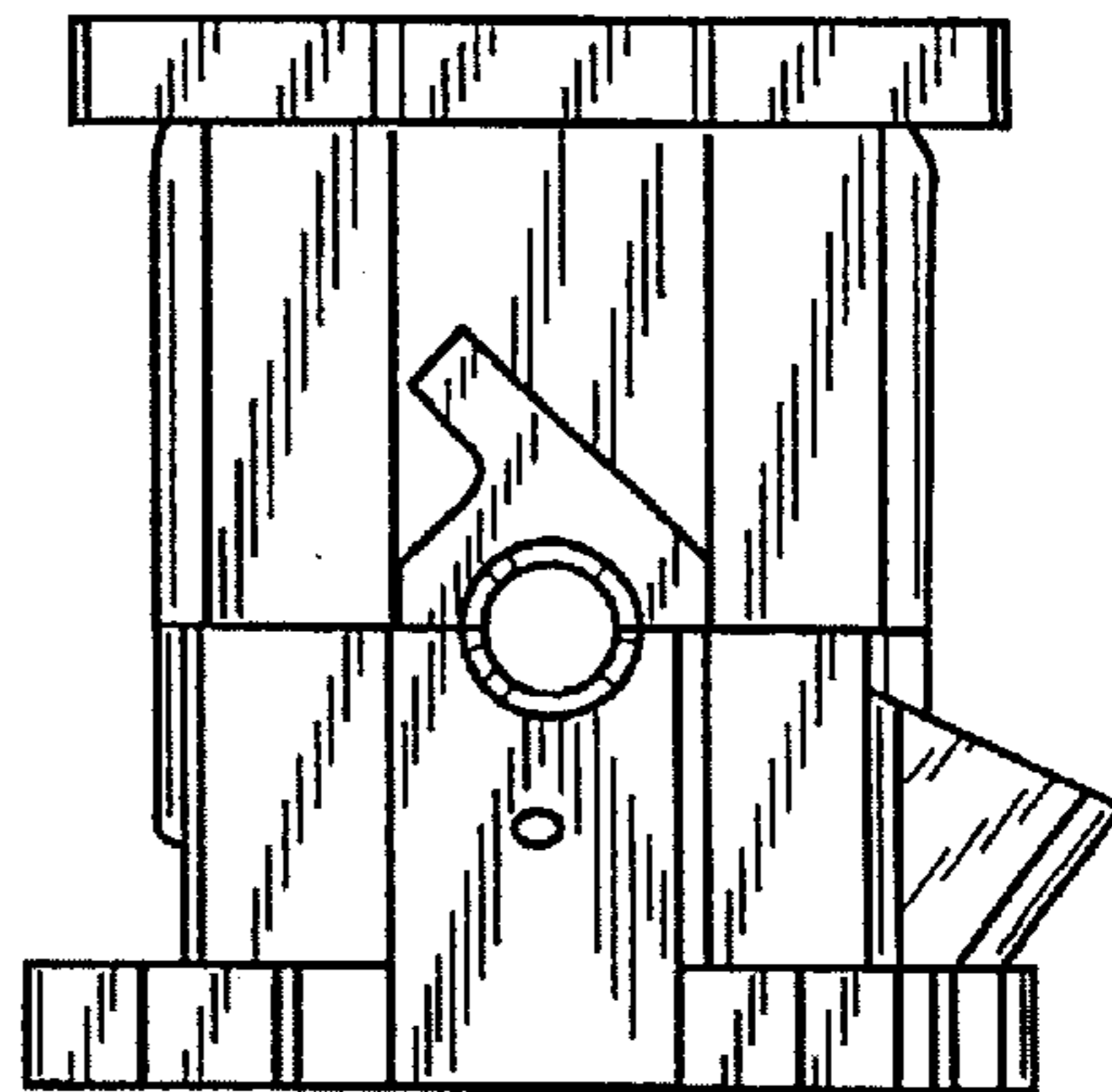


FIG. 5

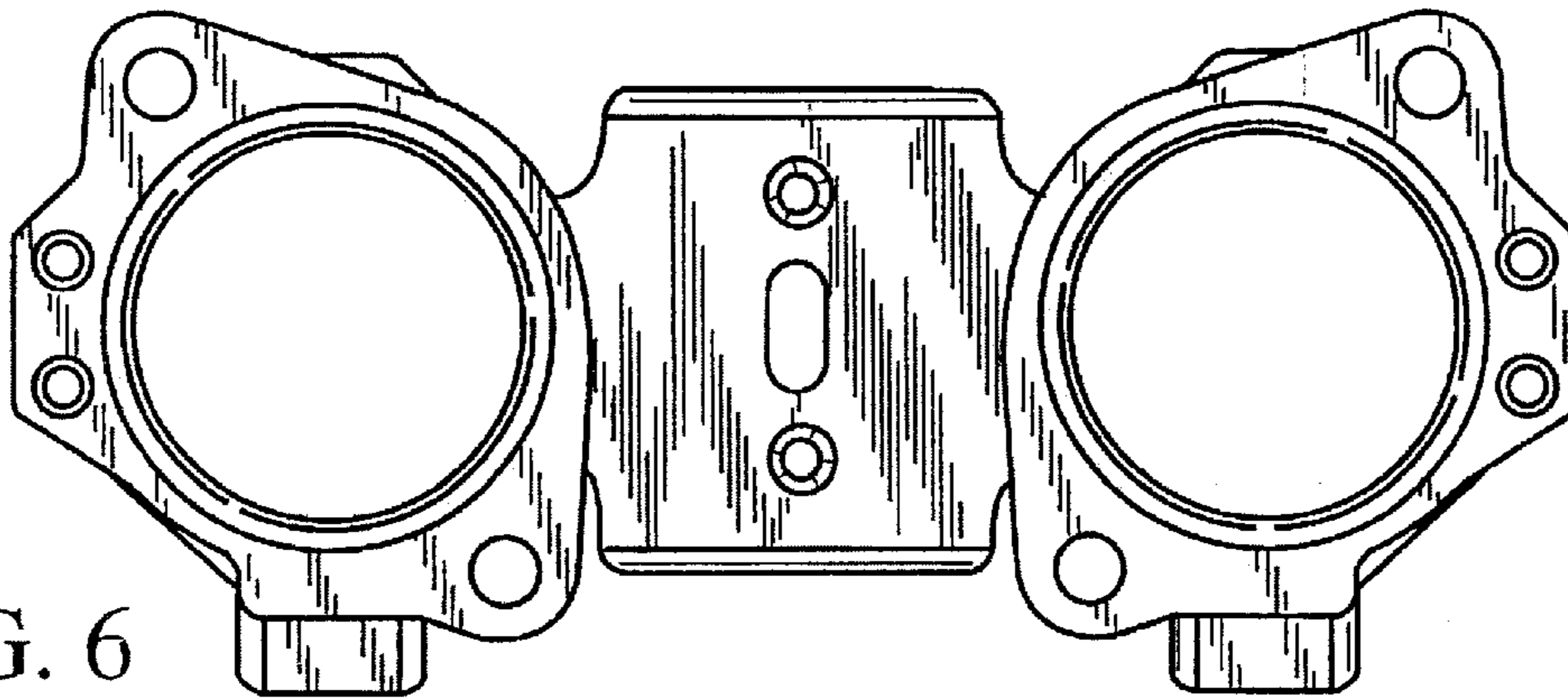


FIG. 6

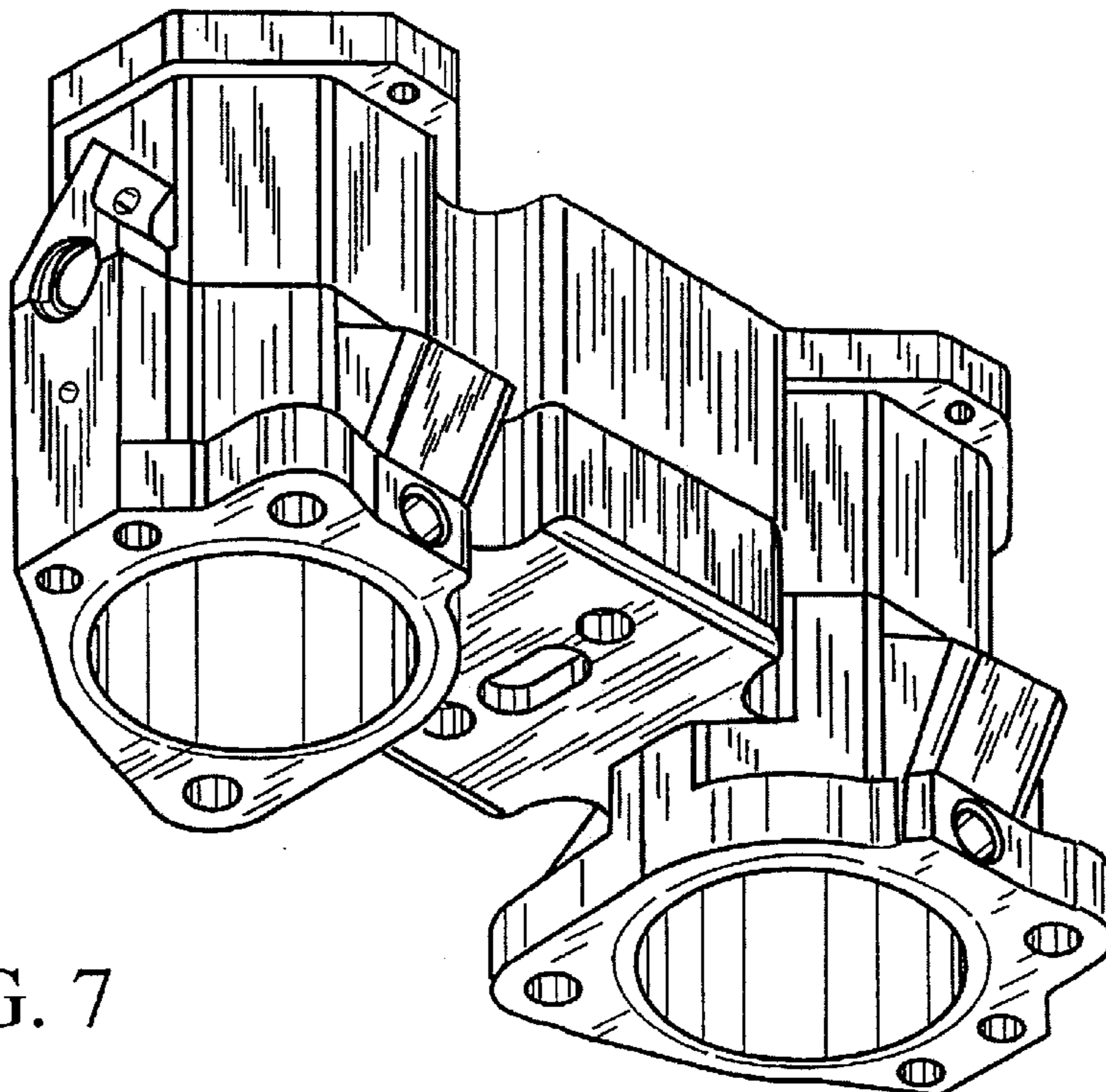


FIG. 7