



US00D541288S

(12) **United States Design Patent**
Lam et al.

(10) **Patent No.:** **US D541,288 S**
(45) **Date of Patent:** **** Apr. 24, 2007**

(54) **KEYBOARD OF A MOBILE COMPUTING DEVICE**

(75) Inventors: **Lawrence Lam**, San Jose, CA (US);
Cathal Loughnane, Bray (IE); **Richard Gioscia**, Santa Clara, CA (US);
Michael Yurochko, Los Gatos, CA (US)

(73) Assignee: **PALM, Inc.**, Sunnyvale, CA (US)

(**) Term: **14 Years**

(21) Appl. No.: **29/235,835**

(22) Filed: **Aug. 5, 2005**

(51) **LOC (8) Cl.** **14-02**

(52) **U.S. Cl.** **D14/455**

(58) **Field of Classification Search** D14/137-8,
D14/217-218, 247, 320, 333, 338, 341, 346,
D14/383, 387, 390-2, 395-6, 398-9, 426,
D14/432, 454-456; D13/171, 174; D18/1,
D18/7, 12.2; 178/17 A, 17 C; 200/5 A; 341/22;
345/160, 168-9; 379/368, 433.07; 382/187;
400/472, 485-490, 493; 455/553.1, 575.1;
710/67

See application file for complete search history.

(56) **References Cited**

U.S. PATENT DOCUMENTS

2,803,714 A *	8/1957	Hesh	200/6 A
5,500,643 A *	3/1996	Grant	341/22
5,680,158 A *	10/1997	Yoshida et al.	345/168
D441,357 S *	5/2001	Kolinen	D14/247
6,396,482 B1 *	5/2002	Griffin et al.	345/169
D460,493 S *	7/2002	Griffin et al.	D21/329

(Continued)

OTHER PUBLICATIONS

I-mate PDA2k, announced 2004, available at http://www.gsmarena.com/i_mate_pda2k-962.php.*

T-Mobile Sidekick, PC World, Sep. 2003, p. 112.*

(Continued)

Primary Examiner—Alan P. Douglas

Assistant Examiner—Angela J. Lee

(74) *Attorney, Agent, or Firm*—Shemwell Mahamedi LLP

(57) **CLAIM**

An ornamental design for a keyboard of a mobile computing device, as shown and described.

DESCRIPTION

FIG. 1 is a frontal view of a keyboard row for a keyboard of a mobile computing device, under a first embodiment, with the mobile computing device shown in phantom forming no part of the invention;

FIG. 2 is a side view of the keyboard row of the first embodiment, with the mobile computing device shown in phantom forming no part of the invention;

FIG. 3 is a first isometric view of the keyboard row of the first embodiment, with the mobile computing device shown in phantom forming no part of the invention;

FIG. 4 is a frontal view of a keyboard row for a keyboard of a mobile computing device, under a second embodiment, with the mobile computing device shown in phantom forming no part of the invention;

FIG. 5 is a side view of the keyboard row of the second embodiment, with the mobile computing device shown in phantom forming no part of the invention;

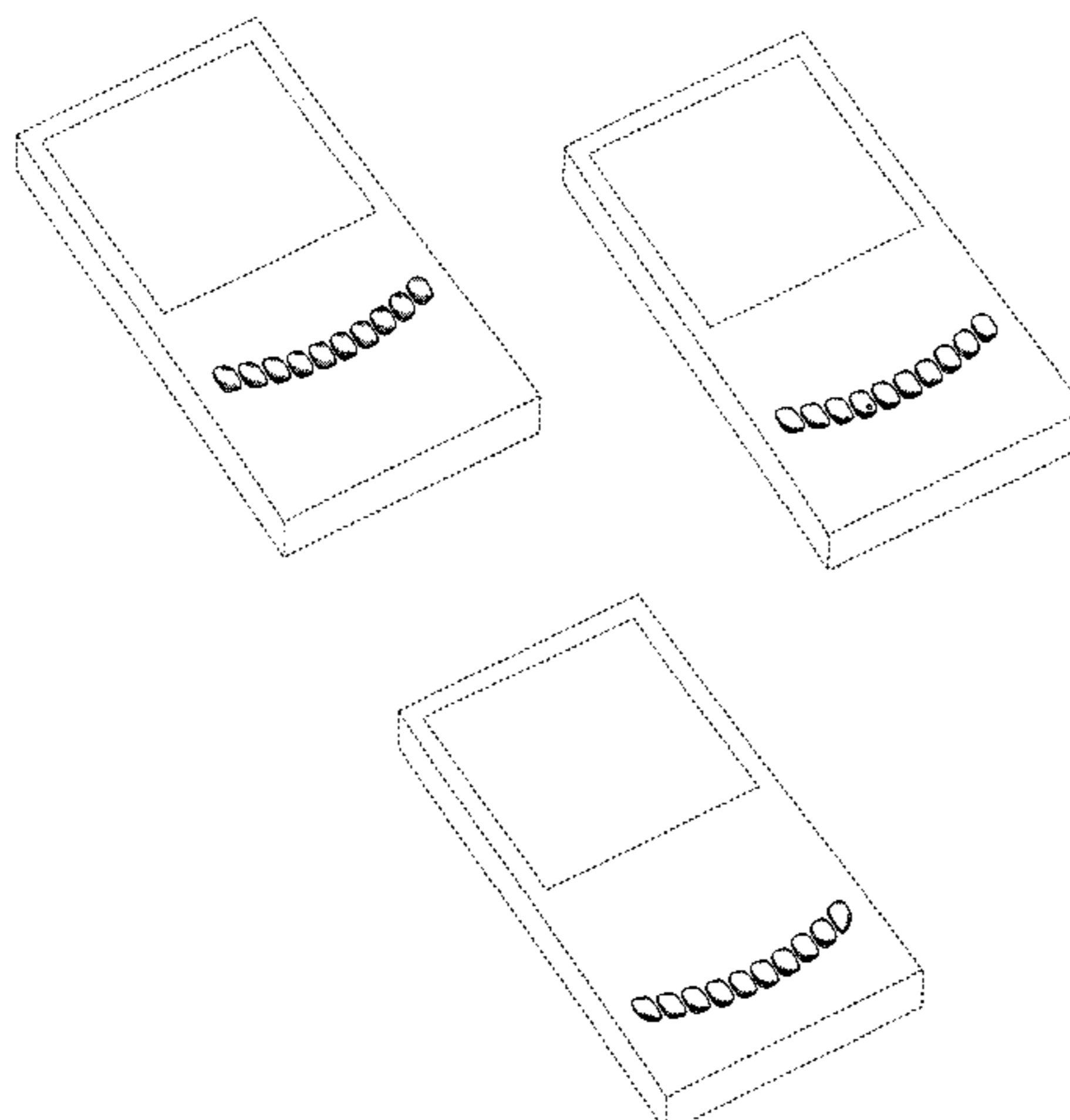
FIG. 6 is a first isometric view of the keyboard row of the second embodiment, with the mobile computing device shown in phantom forming no part of the invention;

FIG. 7 is a frontal view of a keyboard row for a keyboard of a mobile computing device, under a third embodiment, with the mobile computing device shown in phantom forming no part of the invention;

FIG. 8 is a side view of the third embodiment, with the mobile computing device shown in phantom forming no part of the invention; and,

FIG. 9 is a first isometric view of the third embodiment, with the mobile computing device shown in phantom forming no part of the invention.

1 Claim, 9 Drawing Sheets



U.S. PATENT DOCUMENTS

D461,803	S	*	8/2002	Griffin et al.	D14/346
D464,995	S	*	10/2002	Griffin et al.	D21/329
D470,843	S	*	2/2003	Horiki	D14/346
D479,233	S	*	9/2003	Griffin	D14/346
D483,770	S	*	12/2003	Lum et al.	D14/455
D485,838	S	*	1/2004	Wilson et al.	D14/346
D487,085	S	*	2/2004	Wilson et al.	D14/346

OTHER PUBLICATIONS

Photos of Treo 180: three-quarters view of overall device, close up of keyboard & controls) (2 pages).

Handspring Press Release, Introduction of Treo 180, "Handspring Unites Phone, Messaging and PDA In New Treo Communicator," Oct. 15, 2001. www.palm.com/us/pr/hs_archive/101501.html (3 pages).

Photos of Treo 600: front view of device and close up of keyboard & controls (2 pages).

Handspring Press Release, Introduction of Treo 600, "Handspring Introduces Smartphone Design Innovations With Treo 600 Series," Jun. 18, 2003. www.palm.com/us/company/pr/hs_archive/061803.html (2 pages).

Photos of Treo 650: front view of device and close up of keyboard & controls (2 pages).

"Treo 650 Announced," product review and analysis, published on TreoCentral, Oct. 25, 2004, www.treocentral.com/contents/Stories/472-1.htm (4 pages).

* cited by examiner

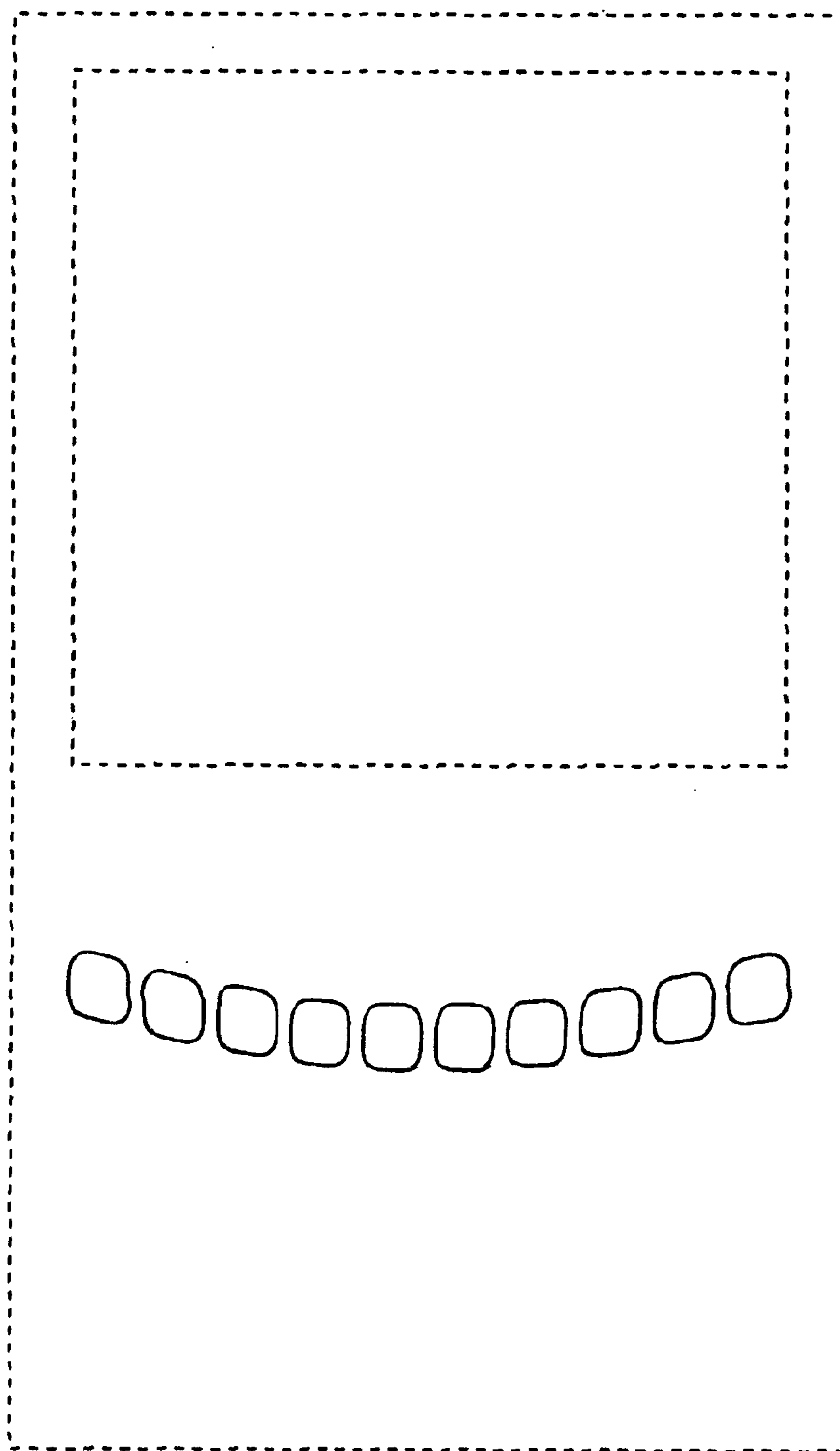


FIG. 1

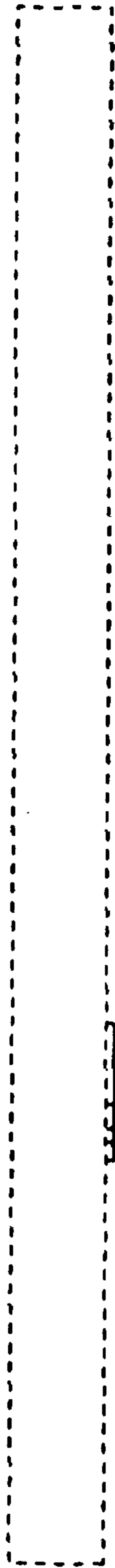


FIG. 2

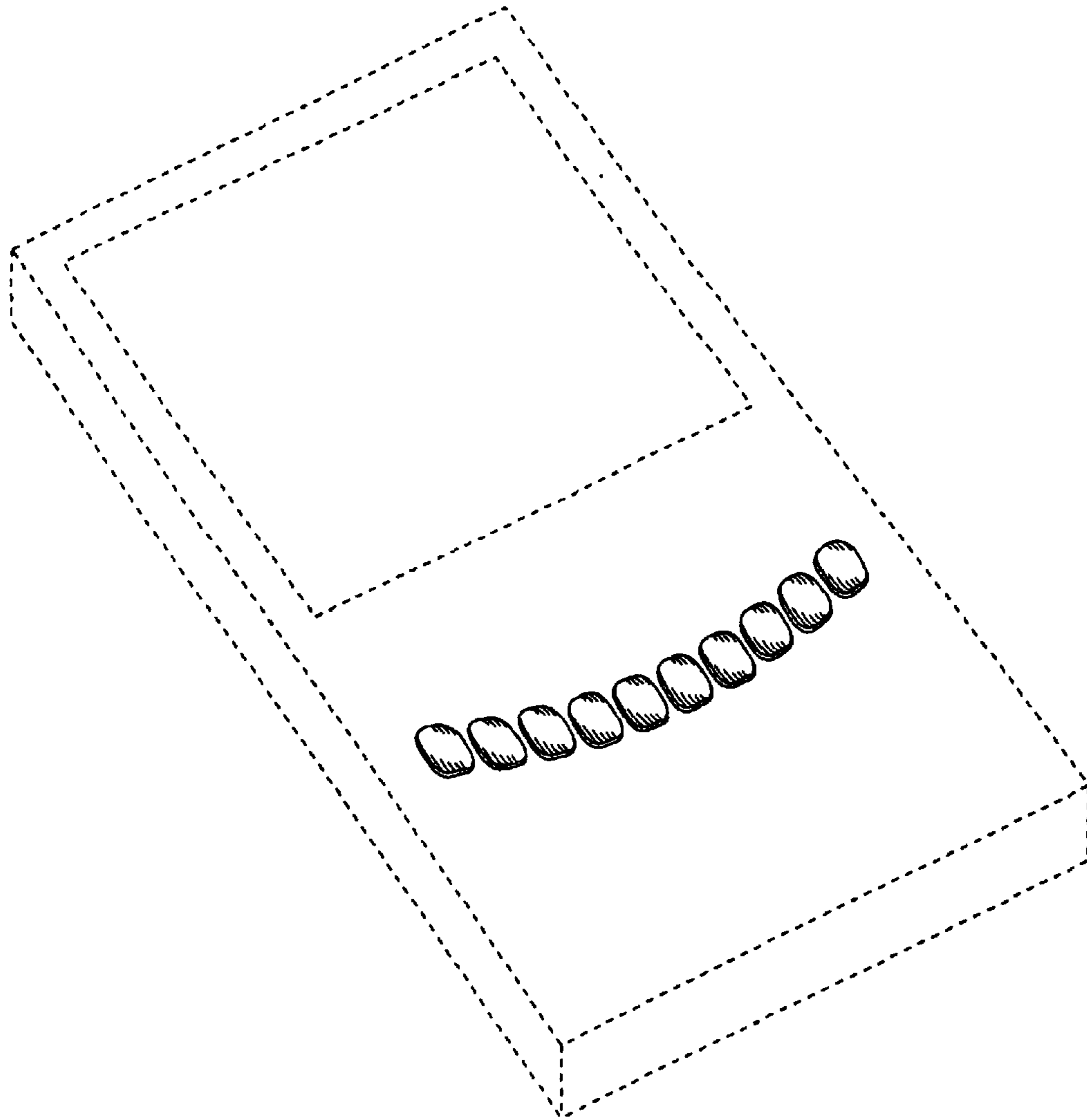


FIG. 3

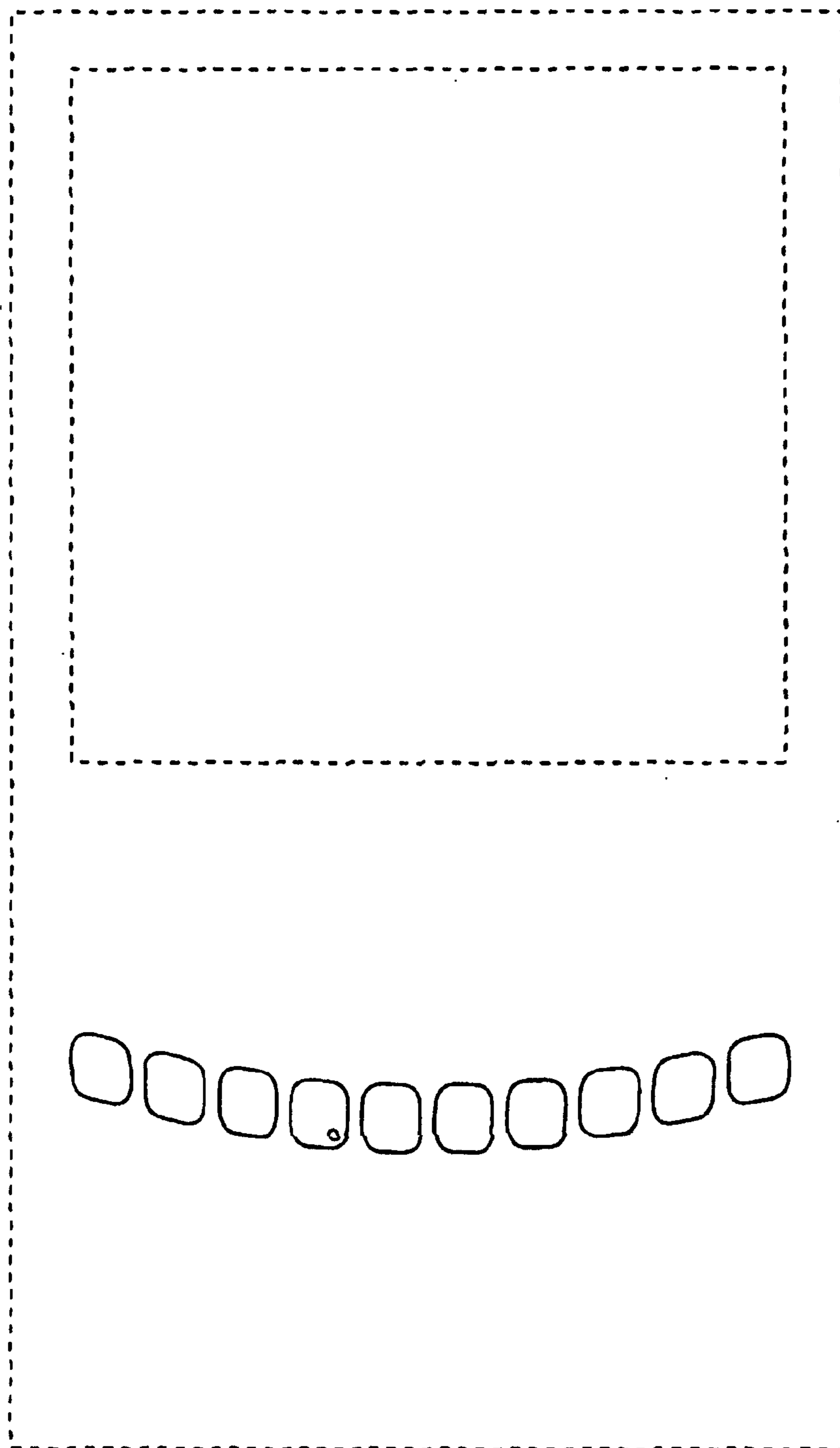


FIG. 4

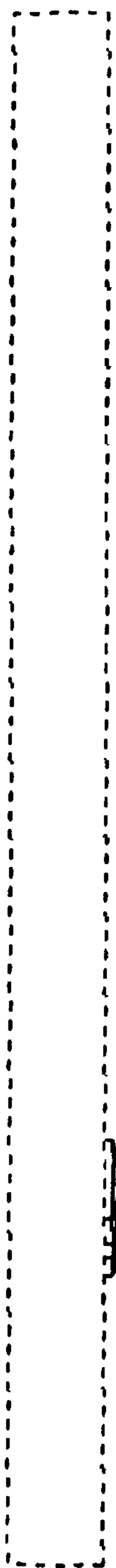


FIG. 5

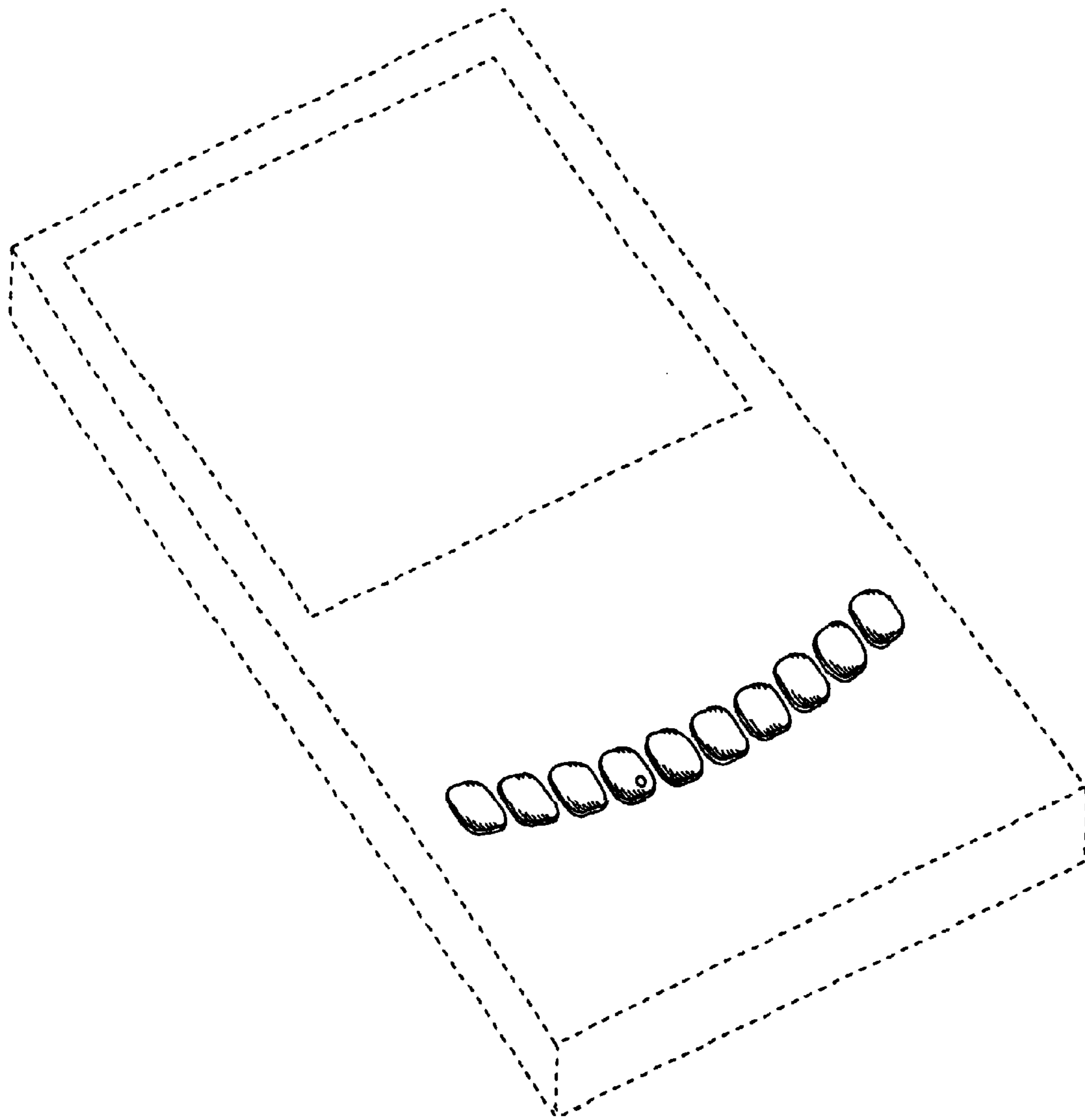


FIG. 6

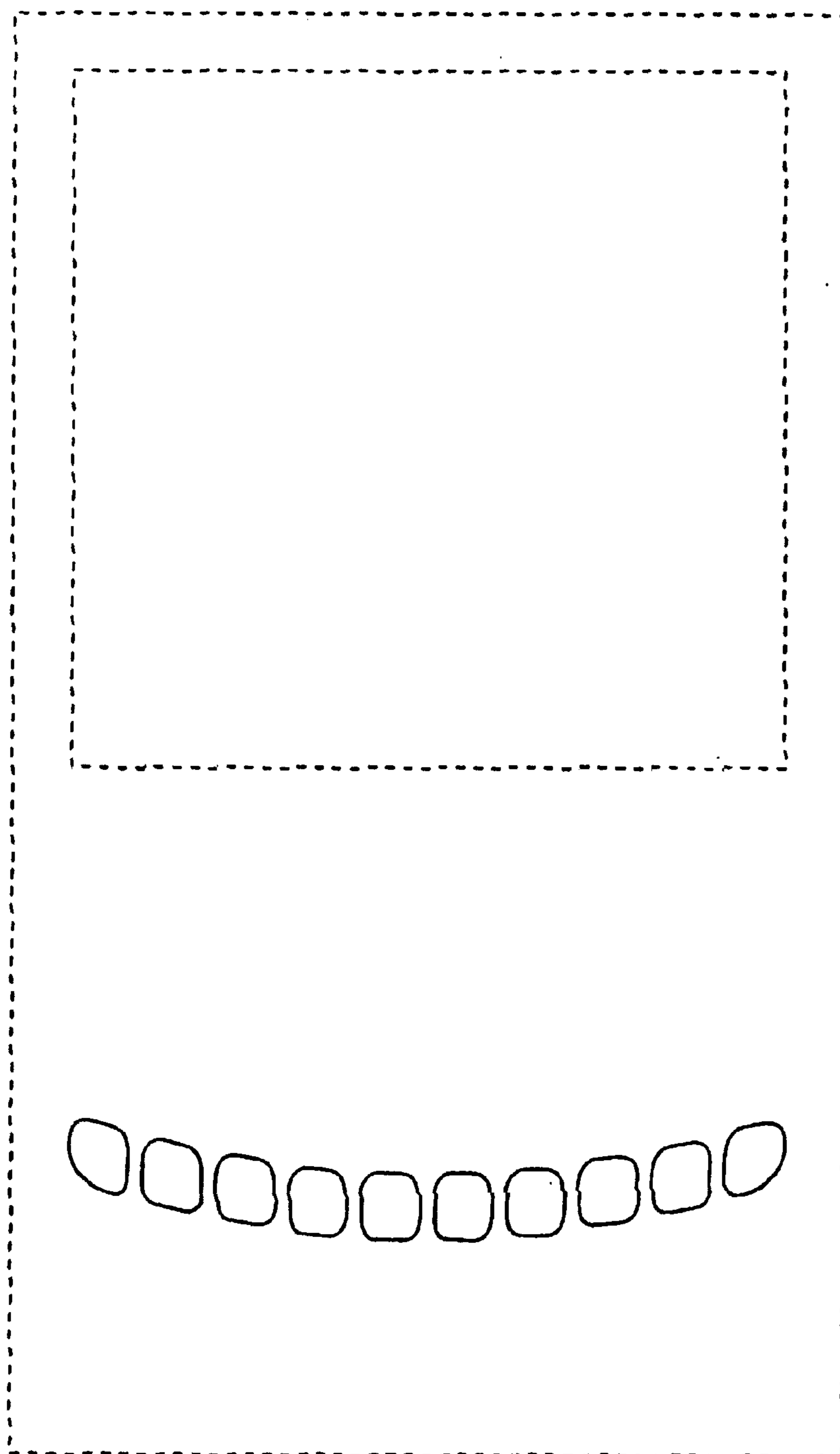


FIG. 7

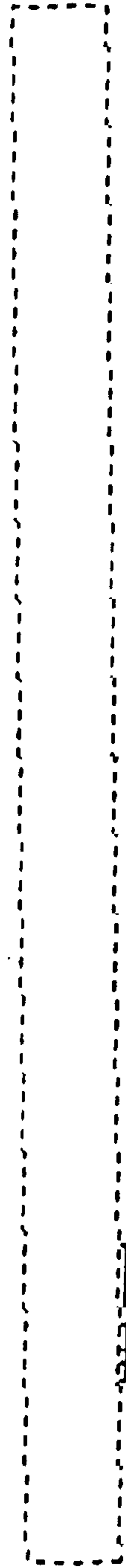


FIG. 8

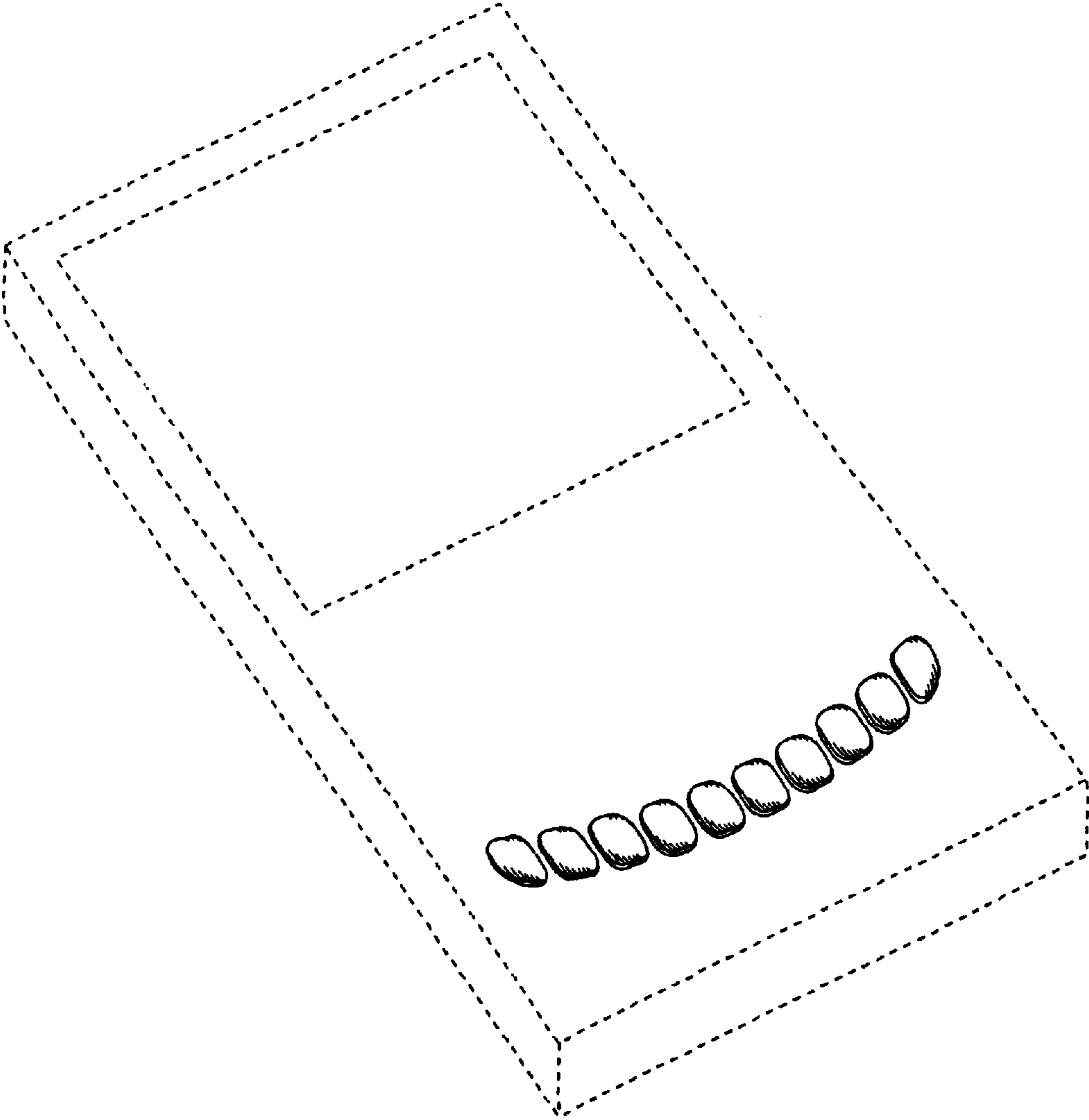


FIG. 9