



US00D541287S

(12) **United States Design Patent**
Lin et al.

(10) **Patent No.:** **US D541,287 S**

(45) **Date of Patent:** **** Apr. 24, 2007**

(54) **CASE FOR LIQUID CRYSTAL DISPLAY**

(75) Inventors: **Neng-Yi Lin**, Taichung (TW);
Jhao-Siang Jiang, Taichung County
(TW); **Kuang-Chi Fu**, Taichung County
(TW)

(73) Assignee: **Wintek Corporation**, Taichung (TW)

(**) Term: **14 Years**

(21) Appl. No.: **29/241,925**

(22) Filed: **Nov. 3, 2005**

(51) **LOC (8) Cl.** **14-02**

(52) **U.S. Cl.** **D14/448**

(58) **Field of Classification Search** D14/125-9,
D14/133, 141.2, 143, 336, 371-7, 380, 432,
D14/439, 447-452; D19/59-60; D21/515;
248/123.11, 276.1, 278.1, 280.11, 284.1,
248/421; 348/836; 361/681; 446/143, 227,
446/408, 476, 491; 385/137

See application file for complete search history.

(56) **References Cited**

U.S. PATENT DOCUMENTS

D293,579 S	*	1/1988	Davis	D14/375
D386,094 S	*	11/1997	Ventrella	D10/30
D397,335 S	*	8/1998	Matsushita	D14/126
6,031,714 A	*	2/2000	Ma	361/681
D444,712 S	*	7/2001	Versace	D10/26
D477,601 S	*	7/2003	Liao	D14/371

D484,505 S	*	12/2003	Olson et al.	D14/375
D497,319 S	*	10/2004	Shaanan	D10/104
6,807,050 B1	*	10/2004	Whitehorn et al.	361/681
D521,962 S	*	5/2006	Voegel et al.	D14/126
2005/0030706 A1	*	2/2005	Kim	361/681
2006/0082957 A1	*	4/2006	Chen	361/681

* cited by examiner

Primary Examiner—Alan P. Douglas

Assistant Examiner—Angela J. Lee

(74) *Attorney, Agent, or Firm*—Bacon & Thomas PLLC

(57) **CLAIM**

The ornamental design for a case for liquid crystal display, as shown and described.

DESCRIPTION

FIG. 1 shows a perspective view of the case for liquid crystal display.

FIG. 2 shows a right side elevational view of the case for liquid crystal display.

FIG. 3 shows a top plan view of the case for liquid crystal display.

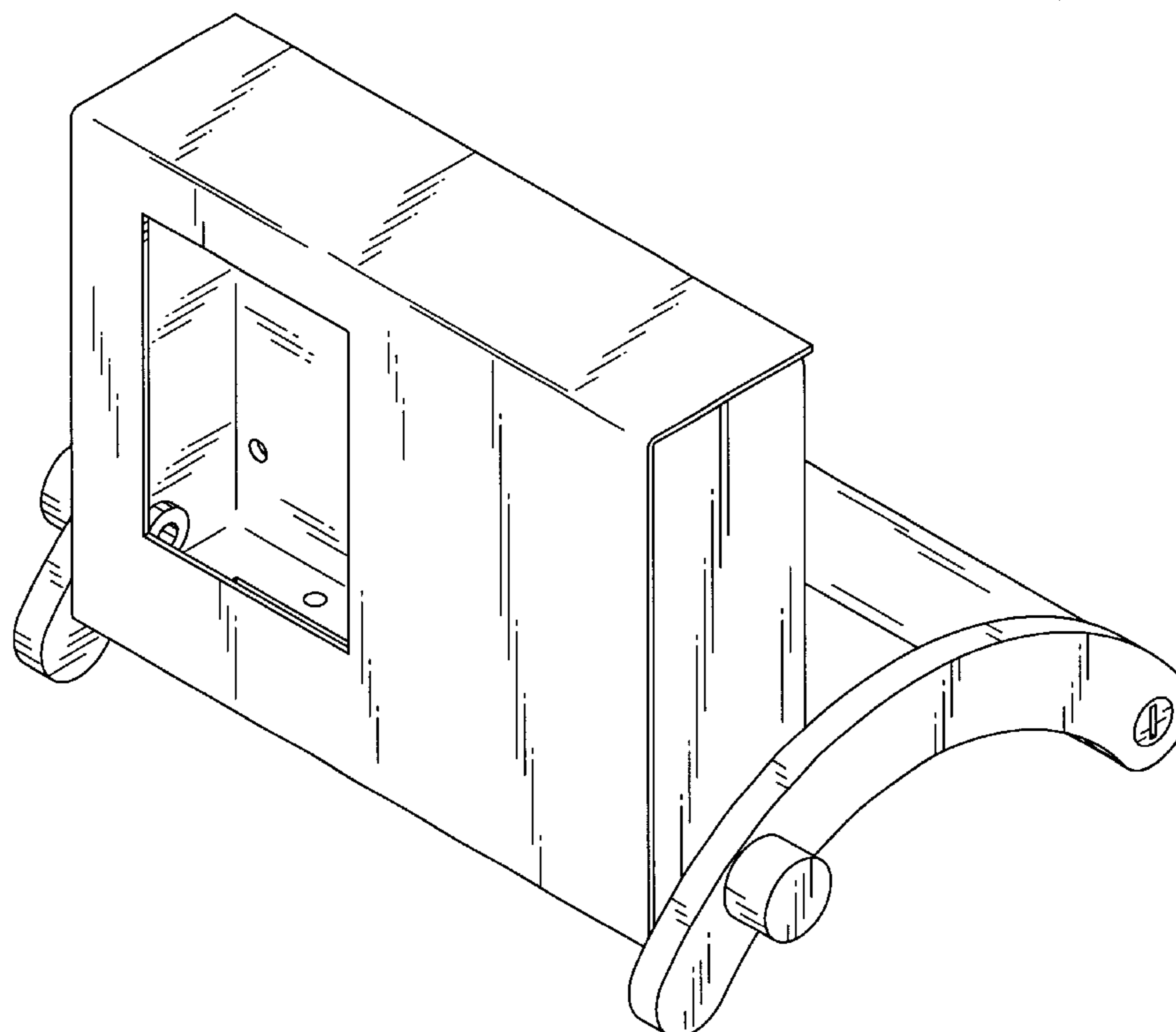
FIG. 4 shows a front elevational view of the case for liquid crystal display.

FIG. 5 shows a bottom plan view of the case for liquid crystal display.

FIG. 6 shows a left side elevational view of the case for liquid crystal display; and,

FIG. 7 shows a rear elevational view of the case for liquid crystal display.

1 Claim, 4 Drawing Sheets



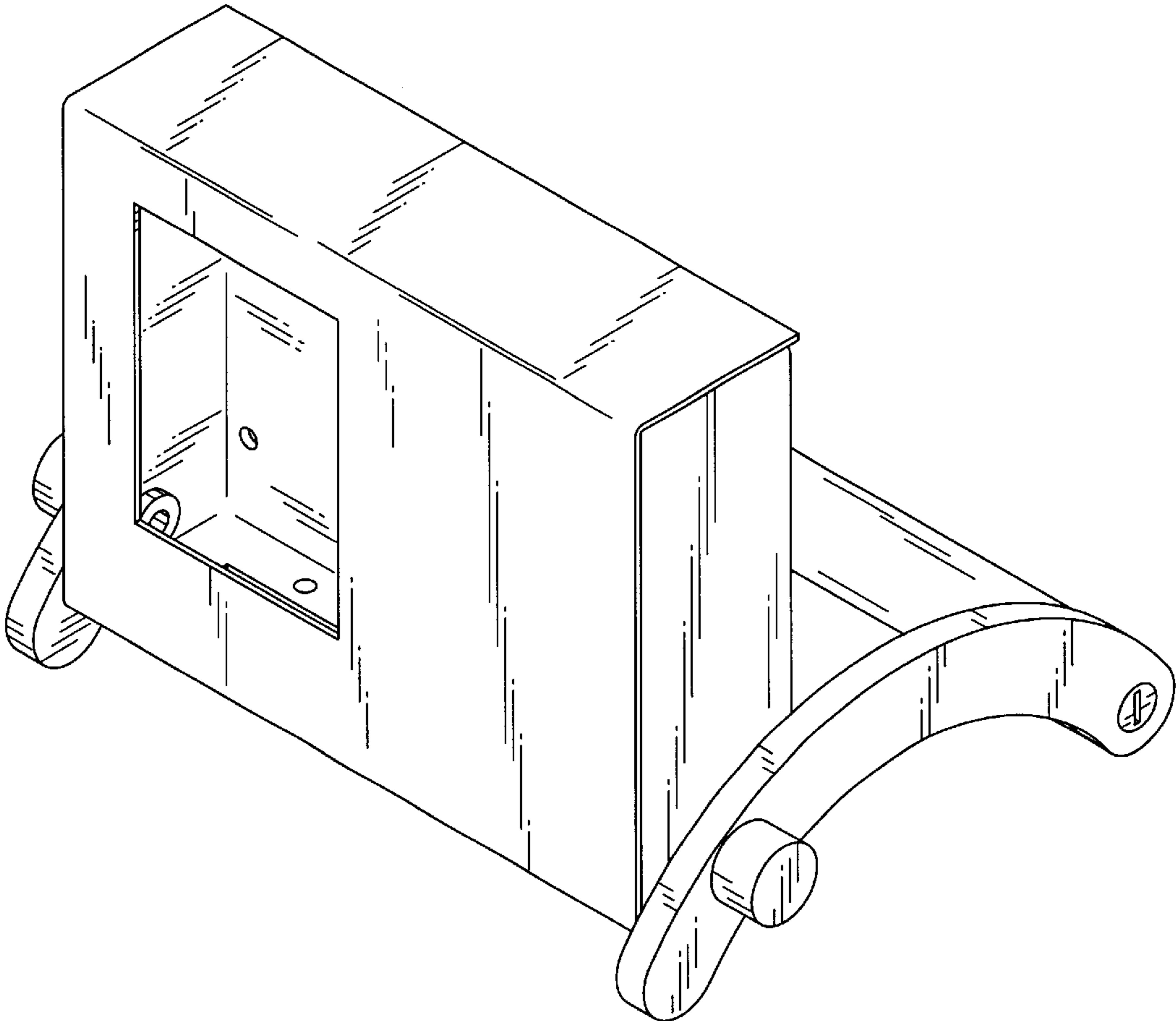


FIG. 1

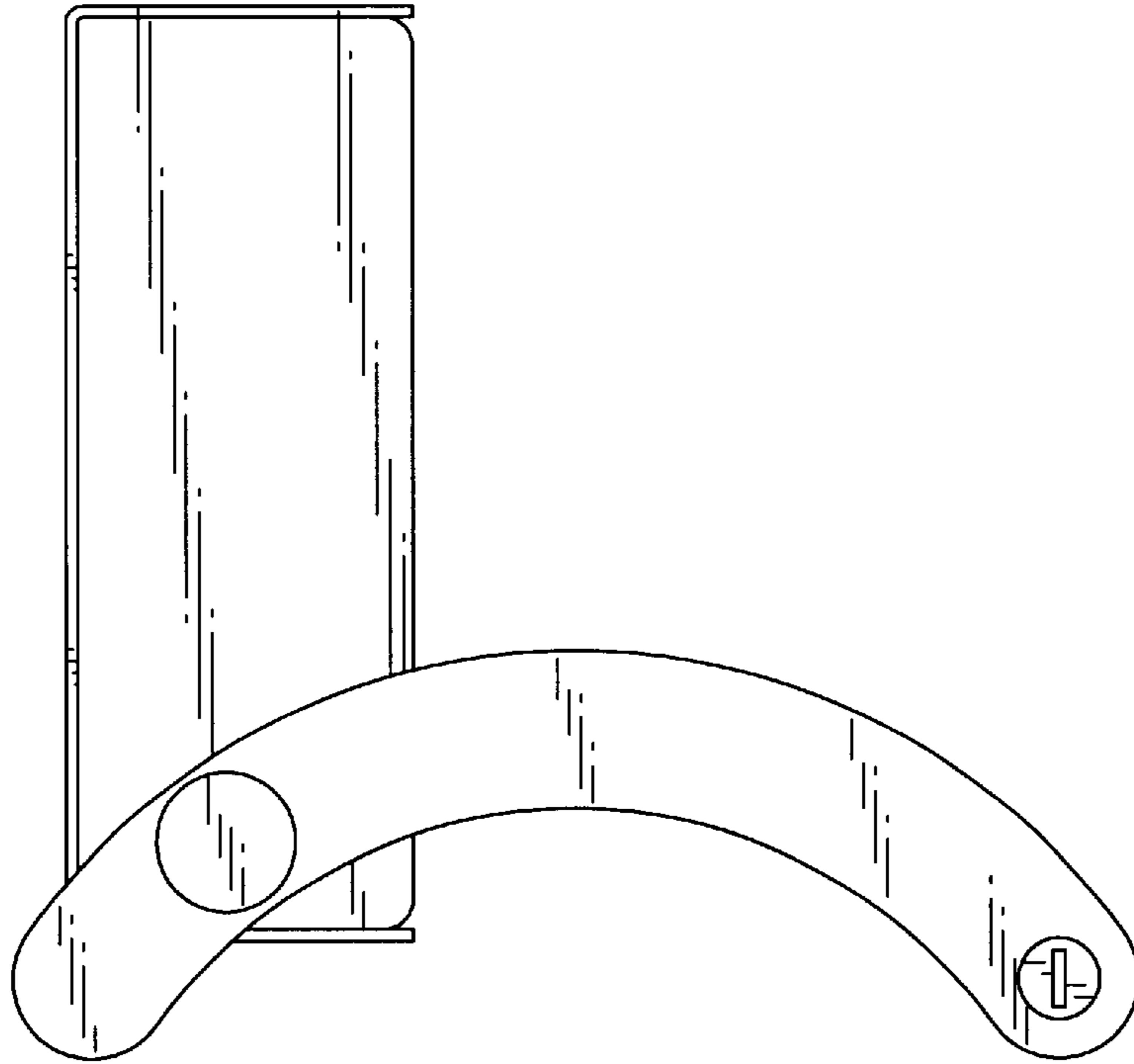


FIG. 2

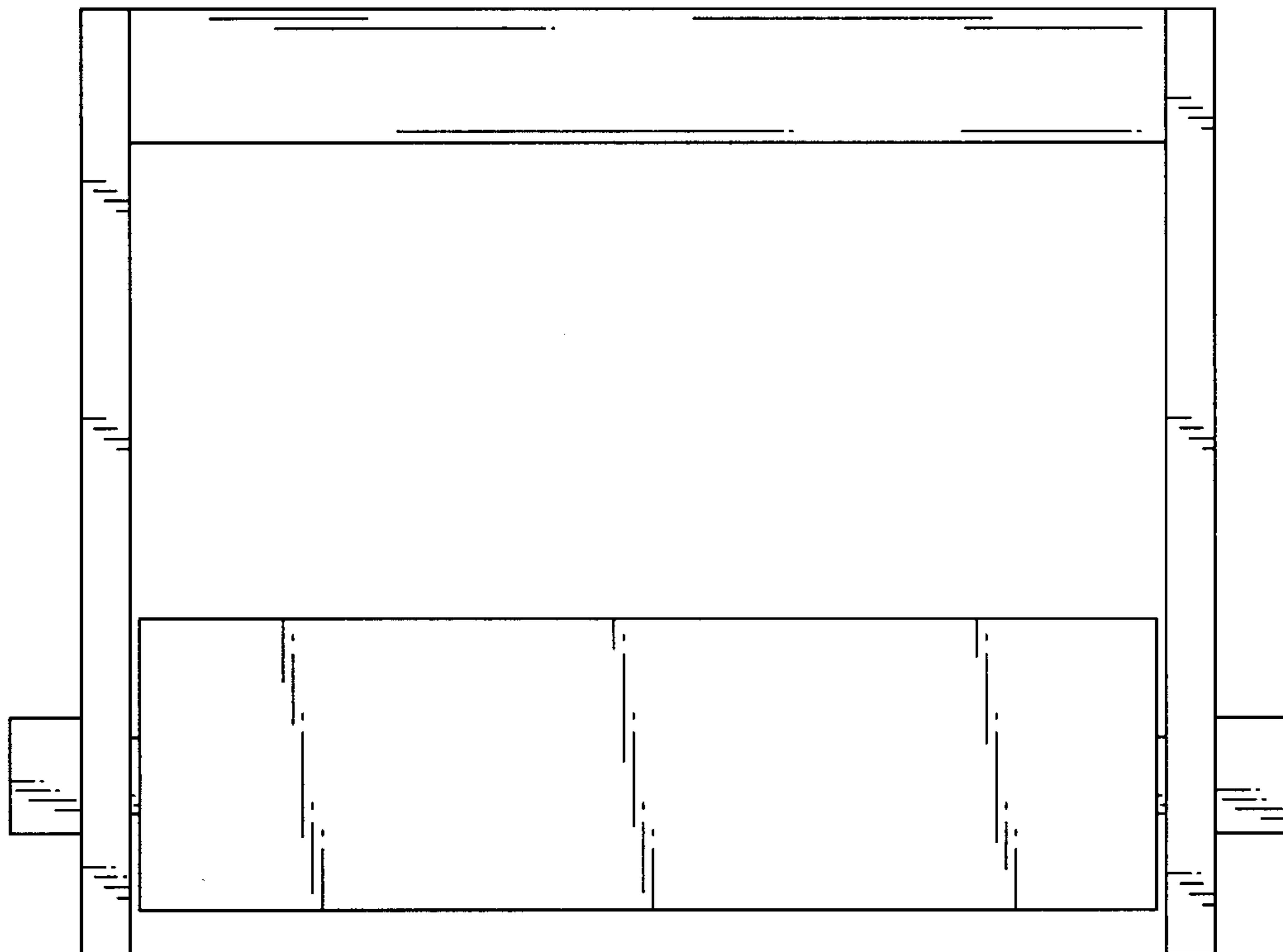


FIG. 3

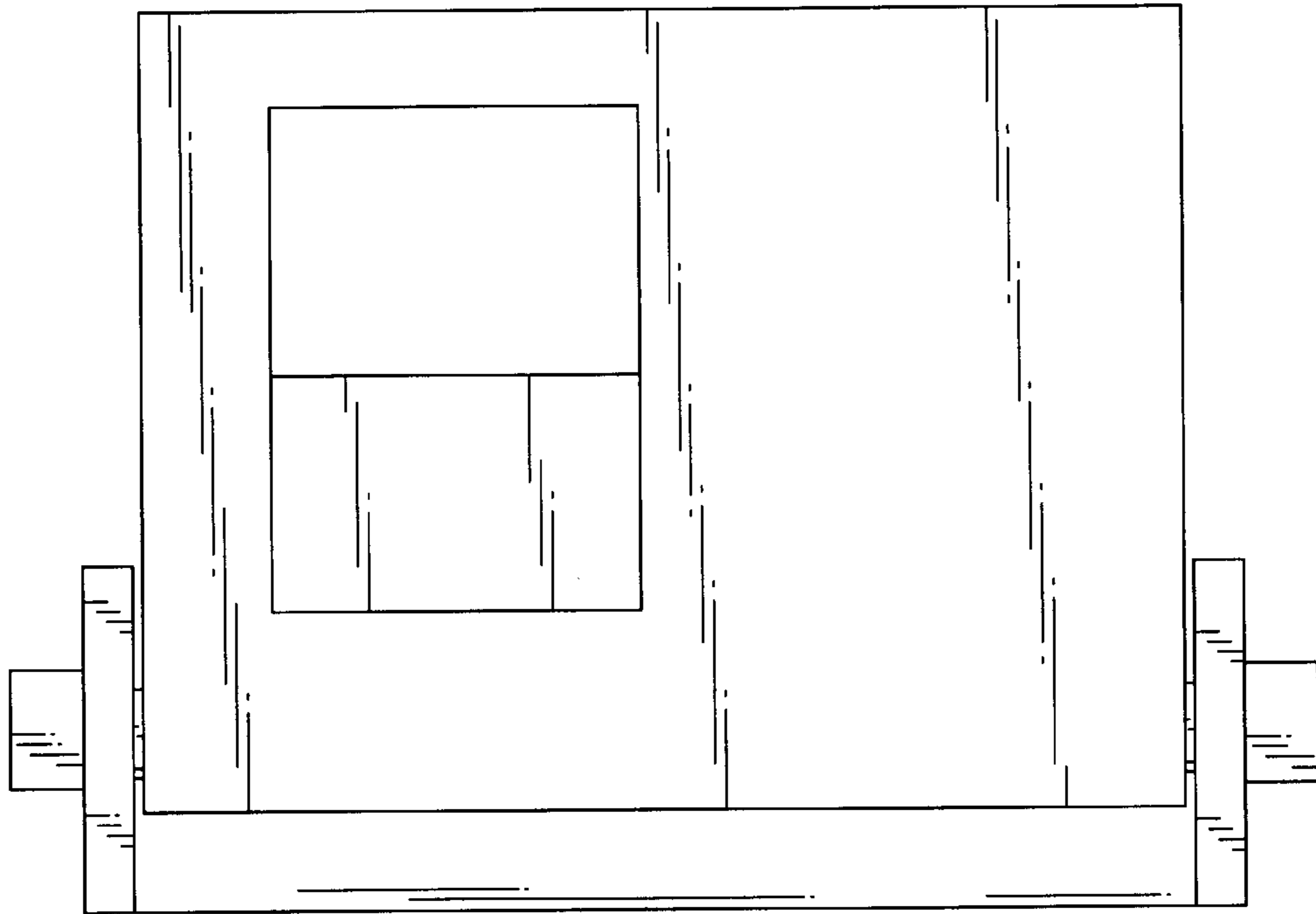


FIG. 4

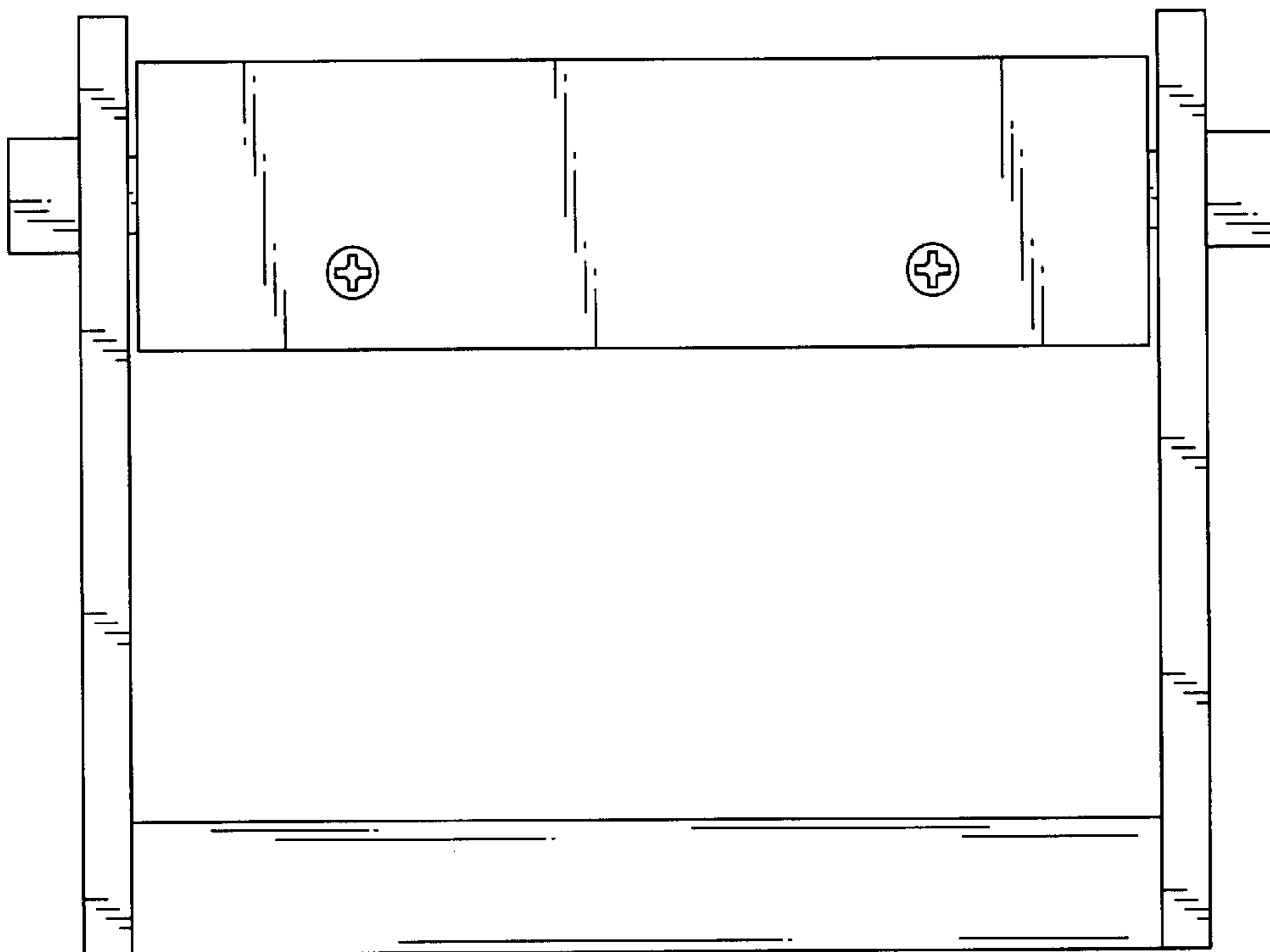


FIG. 5

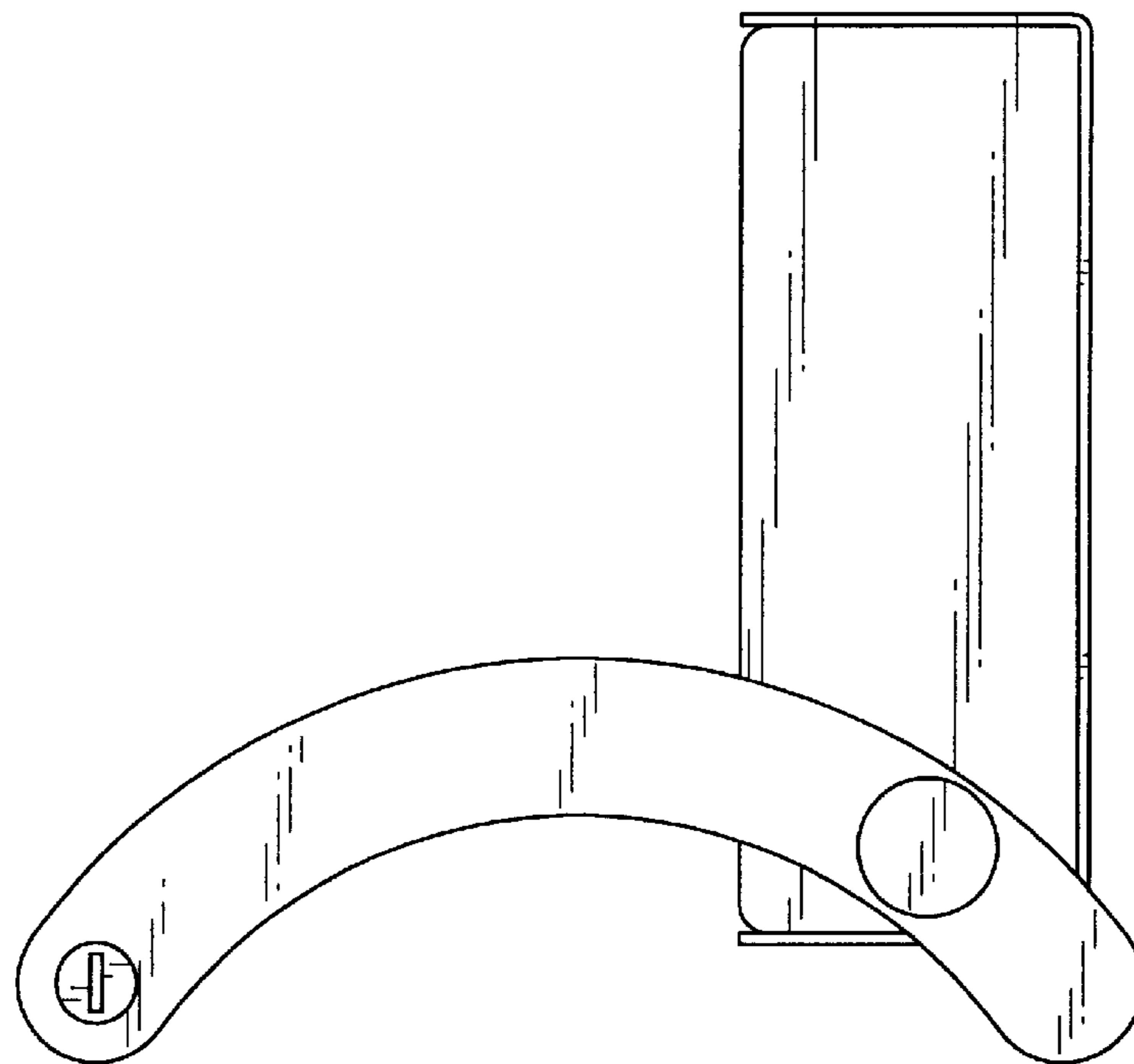


FIG. 6

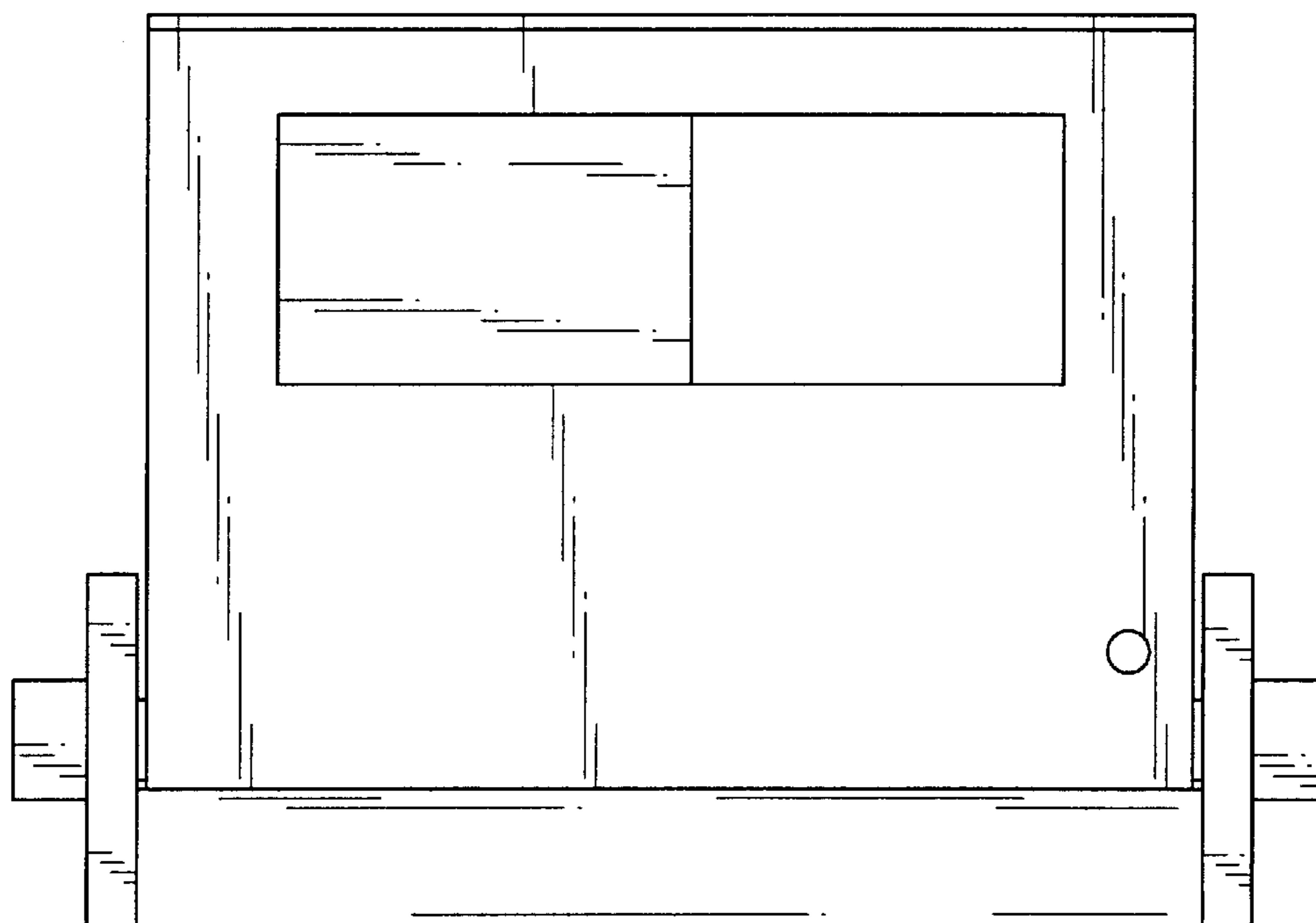


FIG. 7