

US00D541286S

(12) **United States Design Patent**
McClelland, II et al.

(10) **Patent No.:** **US D541,286 S**
(45) **Date of Patent:** **** Apr. 24, 2007**

(54) **COMPUTER HAVING RELEASE HANDLES**

DESCRIPTION

(75) Inventors: **Belgie B. McClelland, II**, Houston, TX (US); **Keith J. Kuehn**, Spring, TX (US); **Qiang Wang**, Cypress, TX (US)

(73) Assignee: **Hewlett-Packard Development Company, L.P.**, Houston, TX (US)

(**) Term: **14 Years**

(21) Appl. No.: **29/235,645**

(22) Filed: **Aug. 3, 2005**

(51) **LOC (8) Cl.** **14-02**

(52) **U.S. Cl.** **D14/445**

(58) **Field of Classification Search** D14/441-446, D14/363-368, 439; D13/182, 184, 199; 312/223.1-223.3; 361/680-686, 690-696; 369/34.01, 36.01
See application file for complete search history.

(56) **References Cited**

U.S. PATENT DOCUMENTS

D308,671 S 6/1990 Aderman et al.

(Continued)

FOREIGN PATENT DOCUMENTS

DE M9401797 * 10/1994

OTHER PUBLICATIONS

U.S. Appl. No. 29/209,597, filed Jul. 19, 2004; Belgie B. McClelland, II et al.; entitled "Computer Have A Drive Carrier".

(Continued)

Primary Examiner—Freda S. Nunn

(57) **CLAIM**

The ornamental design for a computer having release handles, as shown and described.

FIG. 1 is a front plan view of the design for the computer having release handles illustrating the handles in a closed or secured position;

FIG. 2 is a partial front plan view of the design for the computer having release handles illustrated in FIG. 1, further illustrating one of the handles in a lower left portion of the computer;

FIG. 3 is a partial perspective view of the design for the computer having release handles illustrated in FIG. 1, further illustrating the handles in a partially open or partially released position;

FIG. 4 is a partial perspective view of the design for the computer having release handles illustrated in FIG. 3, further illustrating one of the handles in a lower left portion of the computer;

FIG. 5 is a front plan view of the design for the computer having release handles illustrated in FIG. 1, further illustrating the handles in an open or released position;

FIG. 6 is a partial front plan view of the design for the computer having release handles illustrated in FIG. 5, further illustrating one of the handles in a lower left portion of the computer;

FIG. 7 is a partial left side elevational view of the design for the computer having release handles illustrated in FIG. 5, the left side being substantially the same as the illustrated right side;

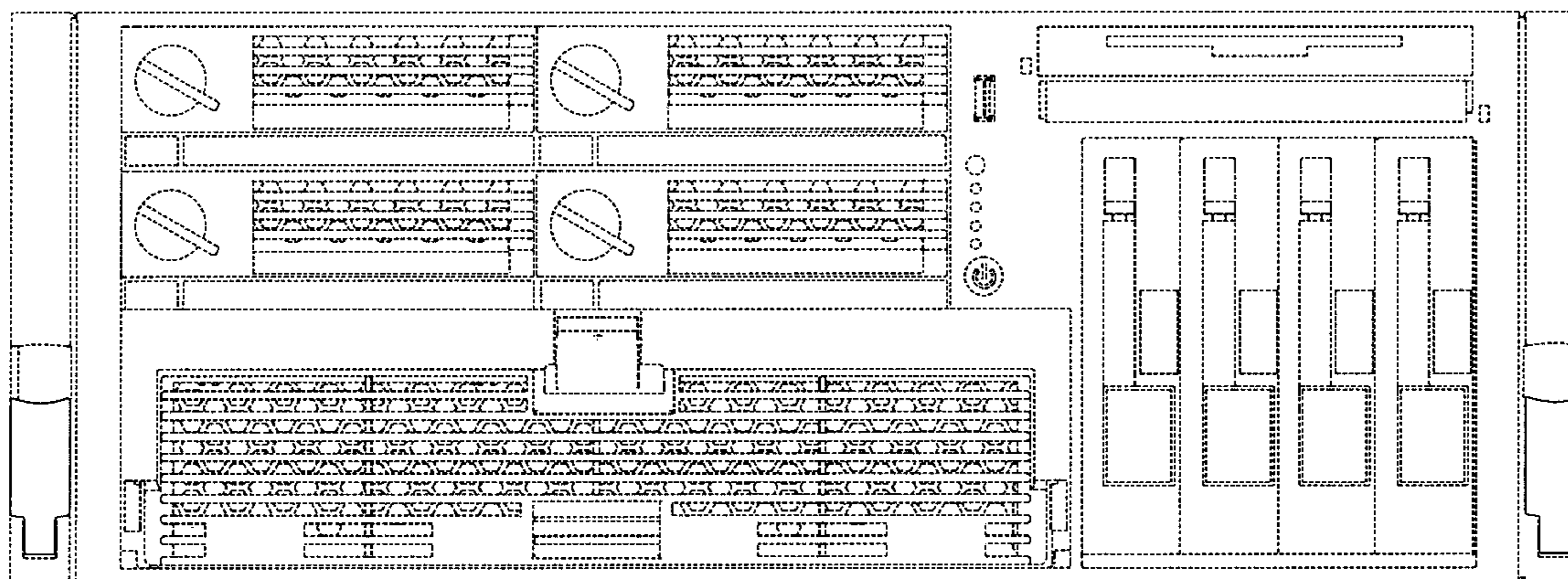
FIG. 8 is a partial top side elevational view of the design for the computer having release handles illustrated in FIG. 5;

FIG. 9 is a partial top side elevational view of the design for the computer having release handles illustrated in FIG. 8, further illustrating one of the handles in a lower left portion of the computer; and,

FIG. 10 is a partial bottom side elevational view of the design for the computer having release handles illustrated in FIG. 5.

In these drawings, the solid lines illustrate the claimed ornamental design, whereas the broken lines illustrative environmental features that form no part of the claimed ornamental design.

1 Claim, 10 Drawing Sheets



US D541,286 S

Page 2

U.S. PATENT DOCUMENTS

4,941,841 A	7/1990	Darden et al.	D462,075 S	8/2002	Hillyard et al.
D338,662 S	8/1993	Sharp	6,442,021 B1	8/2002	Bologna et al.
D348,051 S	6/1994	Noble	D464,056 S	10/2002	Skandalis
D362,433 S	9/1995	Chen	6,473,300 B1	10/2002	Youngquist et al.
D399,193 S	10/1998	Chang	D470,486 S	2/2003	Cheng
D401,569 S	11/1998	Massaro	D473,197 S	4/2003	Bovell
D409,592 S	5/1999	Prestigomo	D474,186 S	5/2003	Frank et al.
D409,593 S	5/1999	Prestigomo	D476,631 S	7/2003	Frank et al.
D410,912 S	6/1999	Bloch et al.	D481,393 S	10/2003	Alo et al.
6,000,769 A	12/1999	Chen	D481,394 S	10/2003	Kuehn et al.
D419,147 S	1/2000	Tanzer et al.	6,661,651 B1	12/2003	Tanzer et al.
6,052,278 A	4/2000	Tanzer et al.	D485,278 S	1/2004	Wang et al.
D428,014 S	7/2000	Bostedt et al.	D491,570 S	6/2004	Fan et al.
6,088,221 A	7/2000	Bologna	6,891,723 B1	5/2005	Lin et al.
D431,245 S	9/2000	Searby et al.	D506,201 S	6/2005	McClelland et al.
D434,395 S	11/2000	Mazzetti et al.	D507,000 S	7/2005	Wang
6,154,361 A	11/2000	Anderson et al.	2003/0011979 A1	1/2003	Tanzer et al.
D442,151 S	5/2001	Mazzetti et al.	2004/0228083 A1 *	11/2004	Wang et al. 361/683
6,247,944 B1	6/2001	Bologna et al.	2005/0040740 A1 *	2/2005	Yun 312/223.2
D447,483 S	9/2001	Wu	2005/0122676 A1 *	6/2005	Clark et al. 361/686
6,302,714 B1	10/2001	Bologna et al.	2005/0157461 A1 *	7/2005	Cauthron 361/683
D454,881 S	3/2002	Daniels et al.			
D455,152 S	4/2002	Caughlan et al.			
D455,153 S	4/2002	Gant et al.			
D455,154 S	4/2002	Daniels et al.			
D455,752 S	4/2002	Gant et al.			
D455,753 S	4/2002	Daniels et al.			
D455,754 S	4/2002	Gant et al.			
D458,924 S	6/2002	Tsuyuki et al.			
D460,457 S	7/2002	Caughlan et al.			
D461,807 S	8/2002	Kuehn et al.			
D461,816 S	8/2002	Caughlan et al.			

OTHER PUBLICATIONS

U.S. Appl. No. 29/209,868, filed Jul. 21, 2004; Qiang Wang et al.; entitled "Computer Having A Drive Carrier".

U.S. Appl. No. 29/215,148, filed Oct. 14, 2004; Belgie B. McClelland, II et al.; entitled "Computer Having A Drive Bezel".

U.S. Appl. No. 29/215,774, filed Oct. 25, 2004; Belgie B. McClelland, II et al.; entitled "Computer Having An External Panel".

* cited by examiner

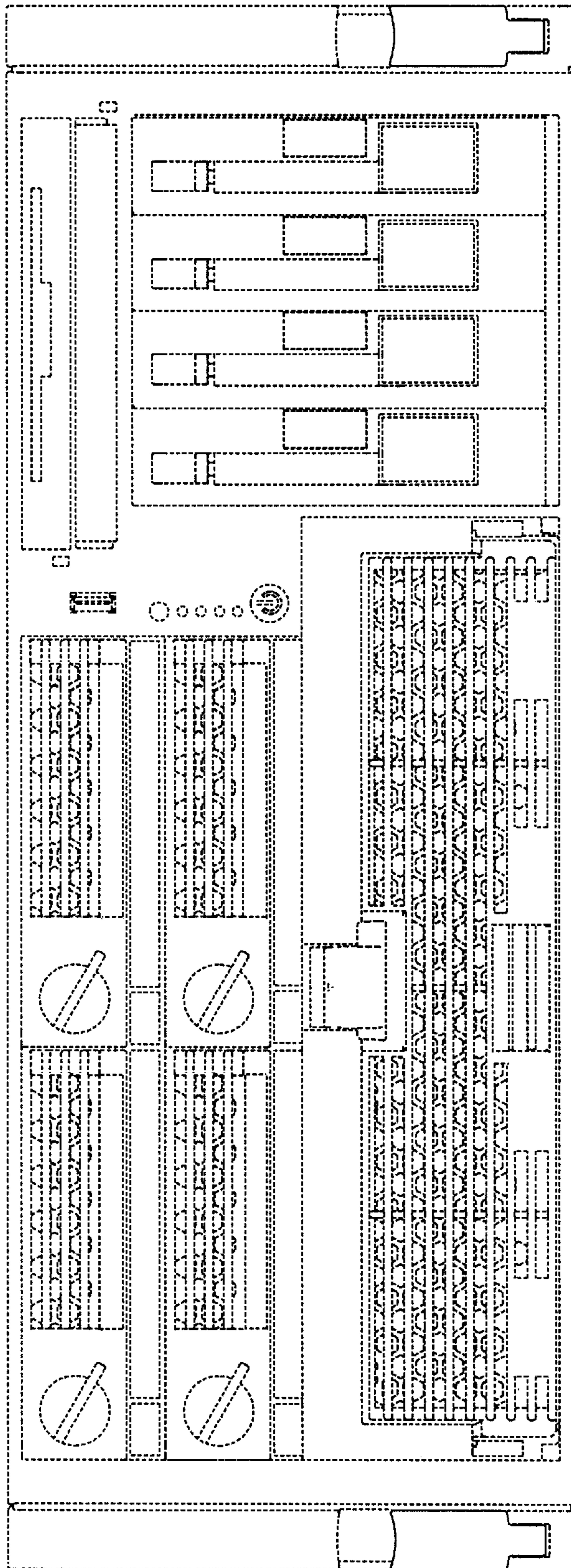


FIG. 1

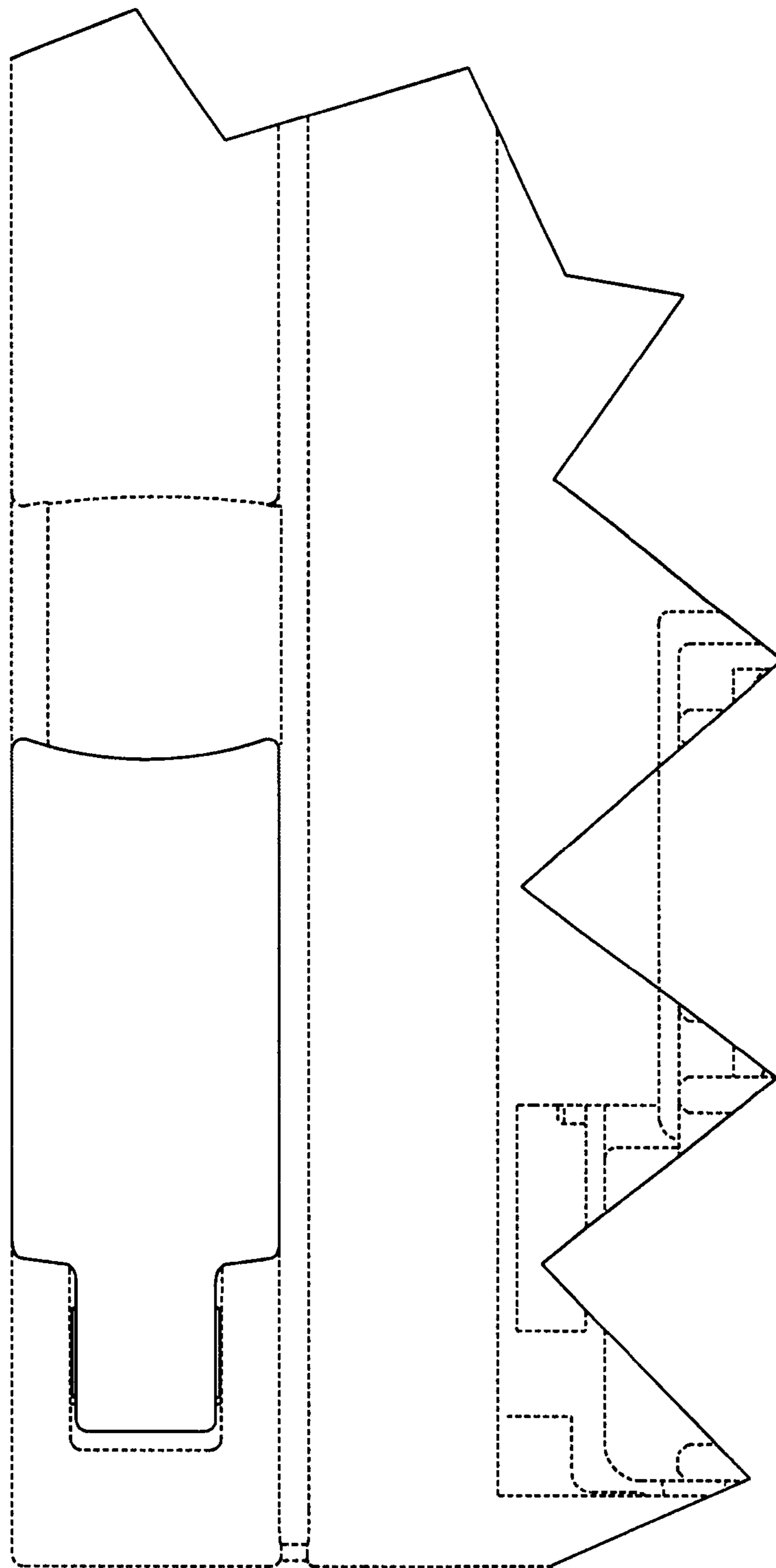


FIG. 2

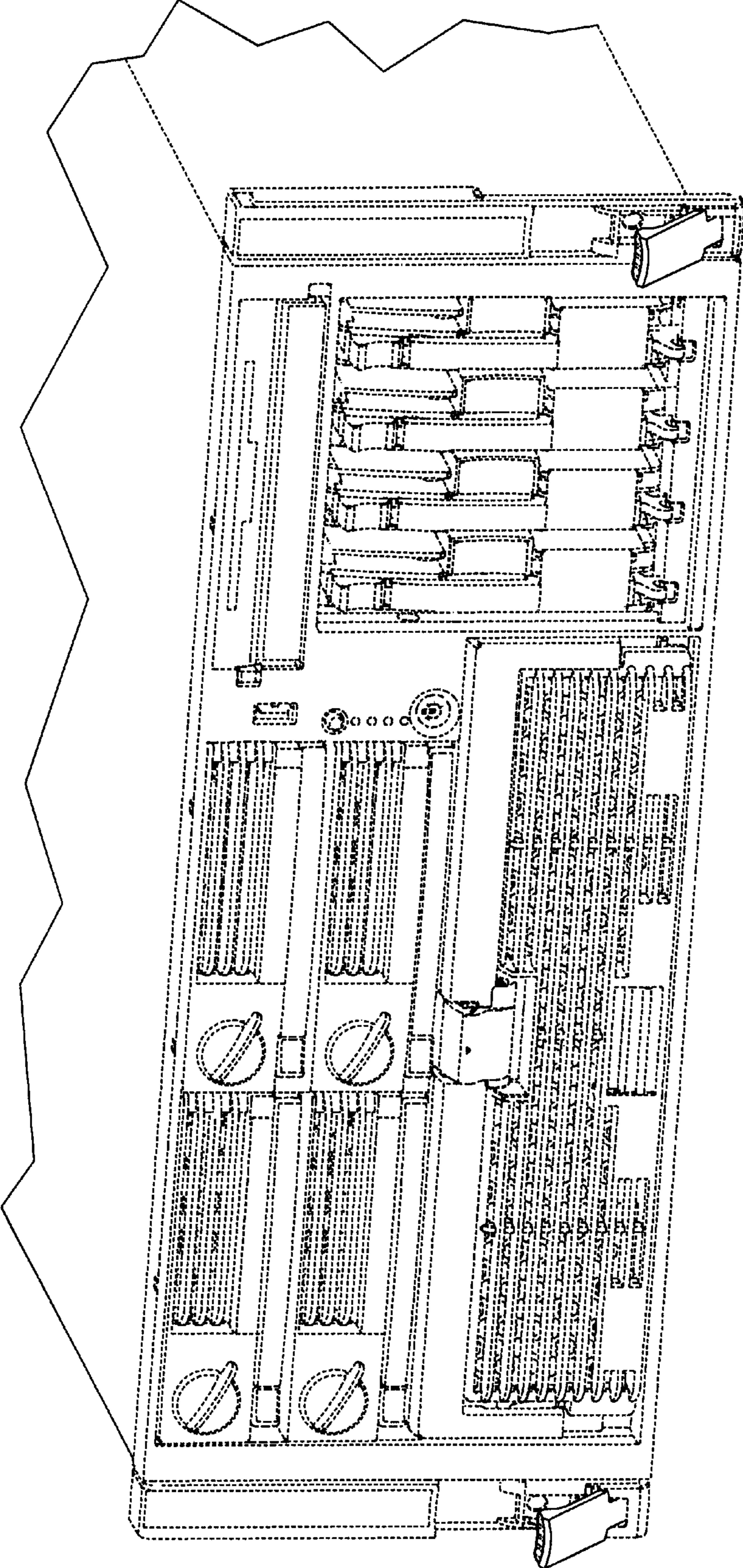


FIG. 3

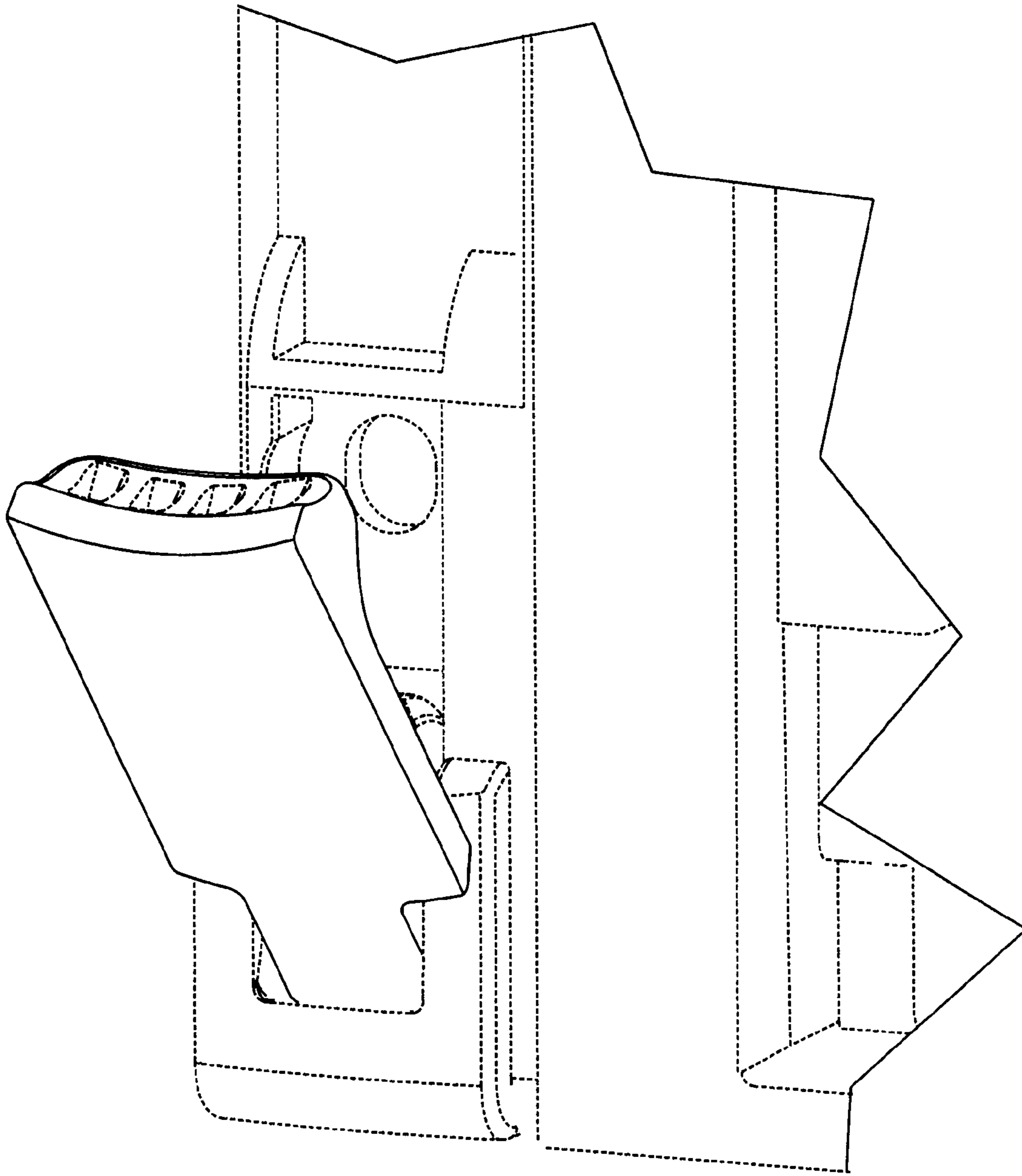


FIG. 4

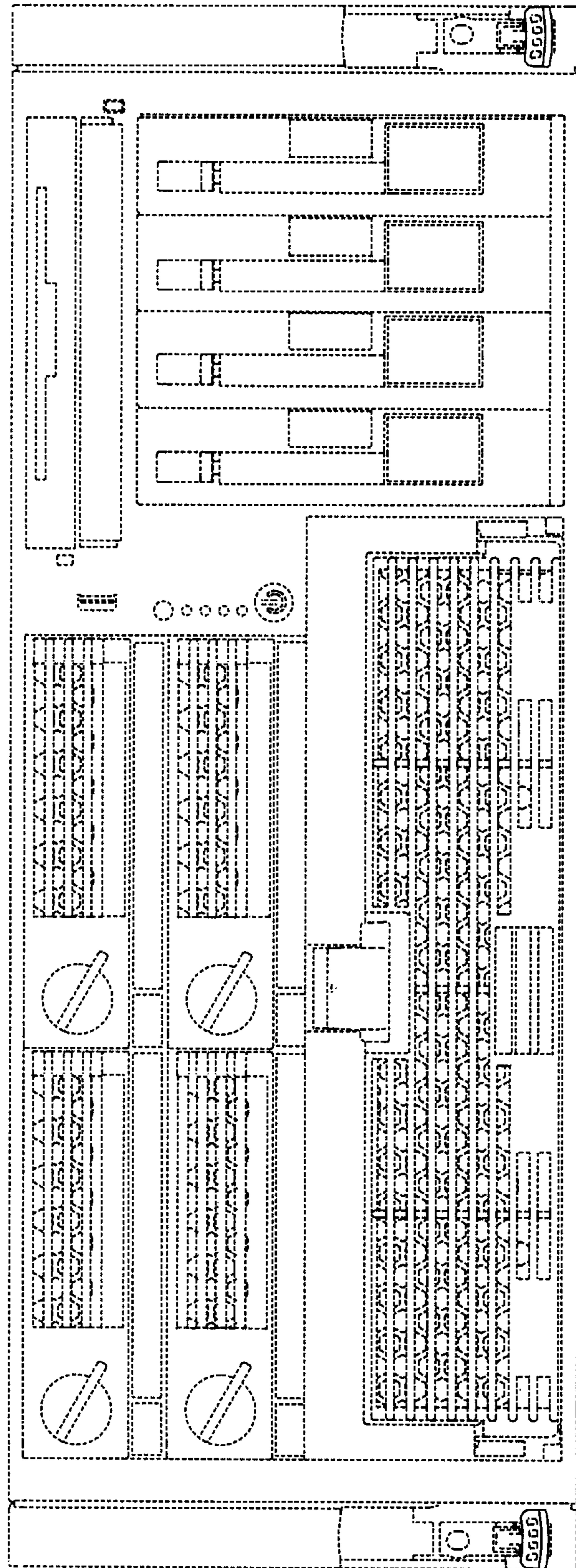


FIG. 5

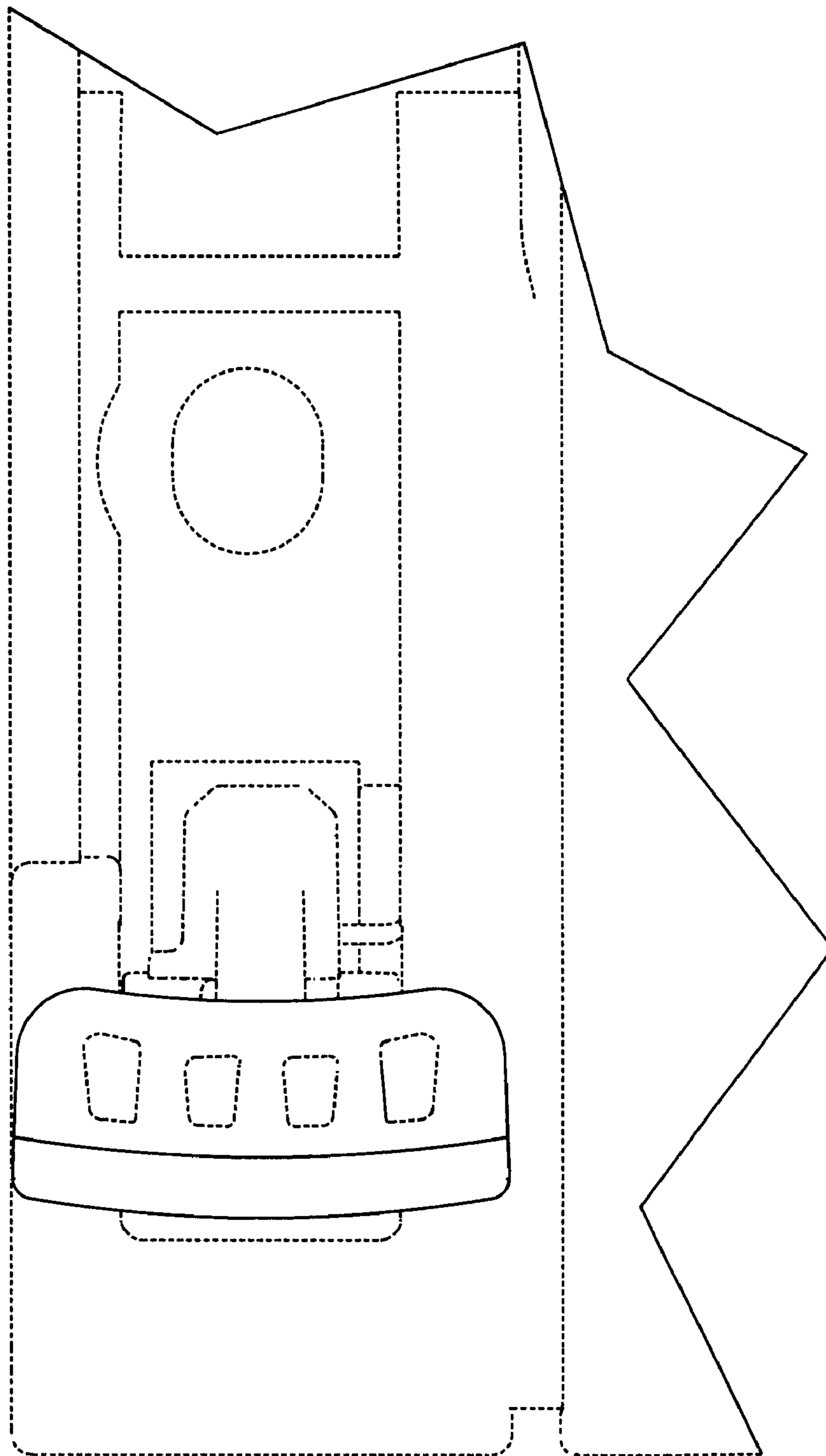


FIG. 6

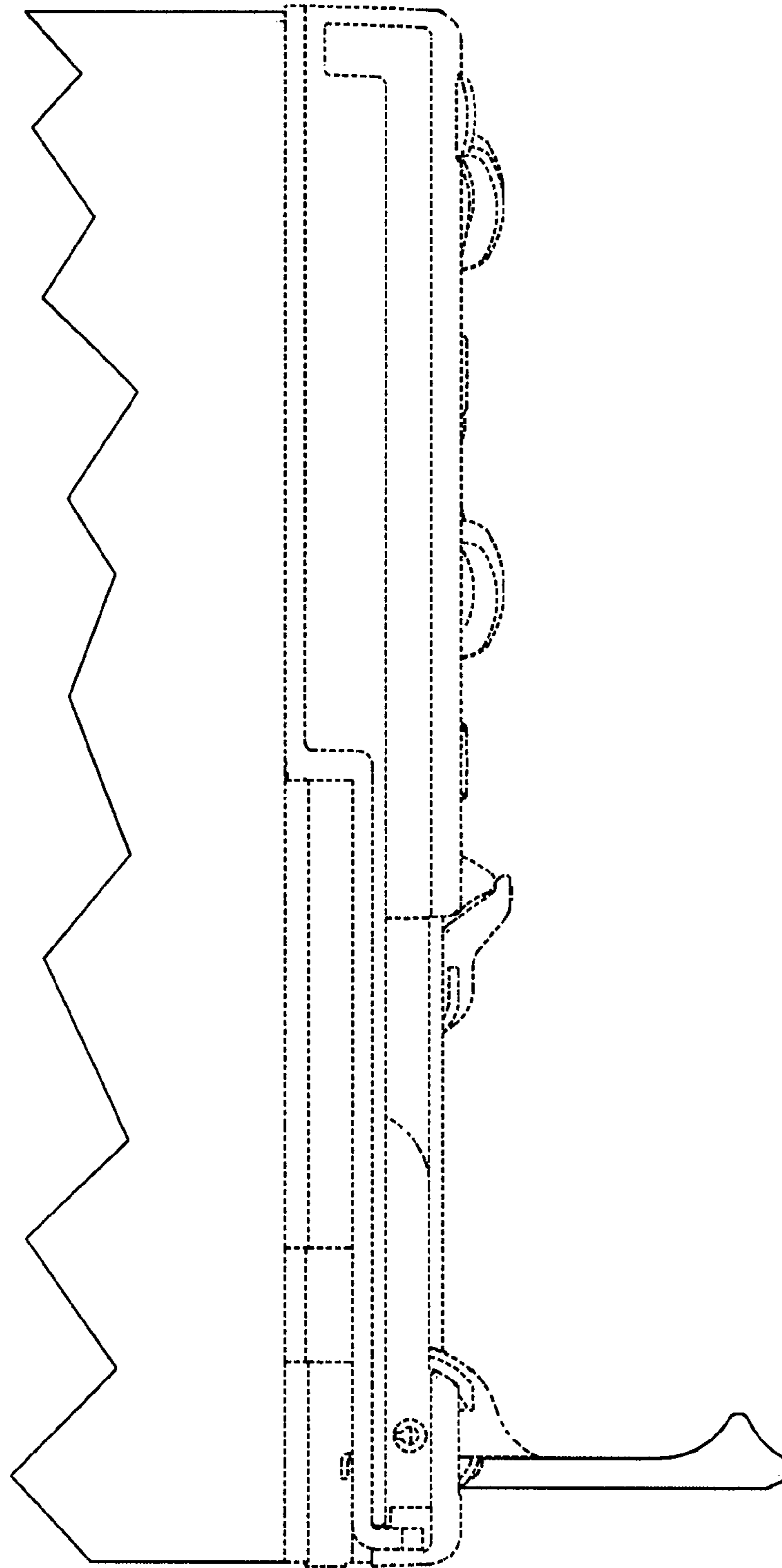


FIG. 7

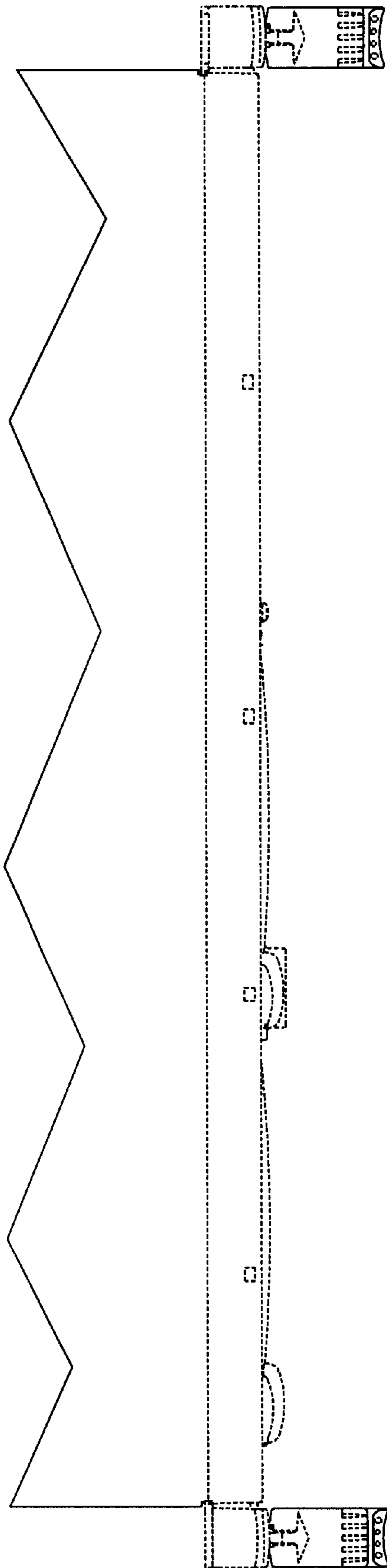


FIG. 8

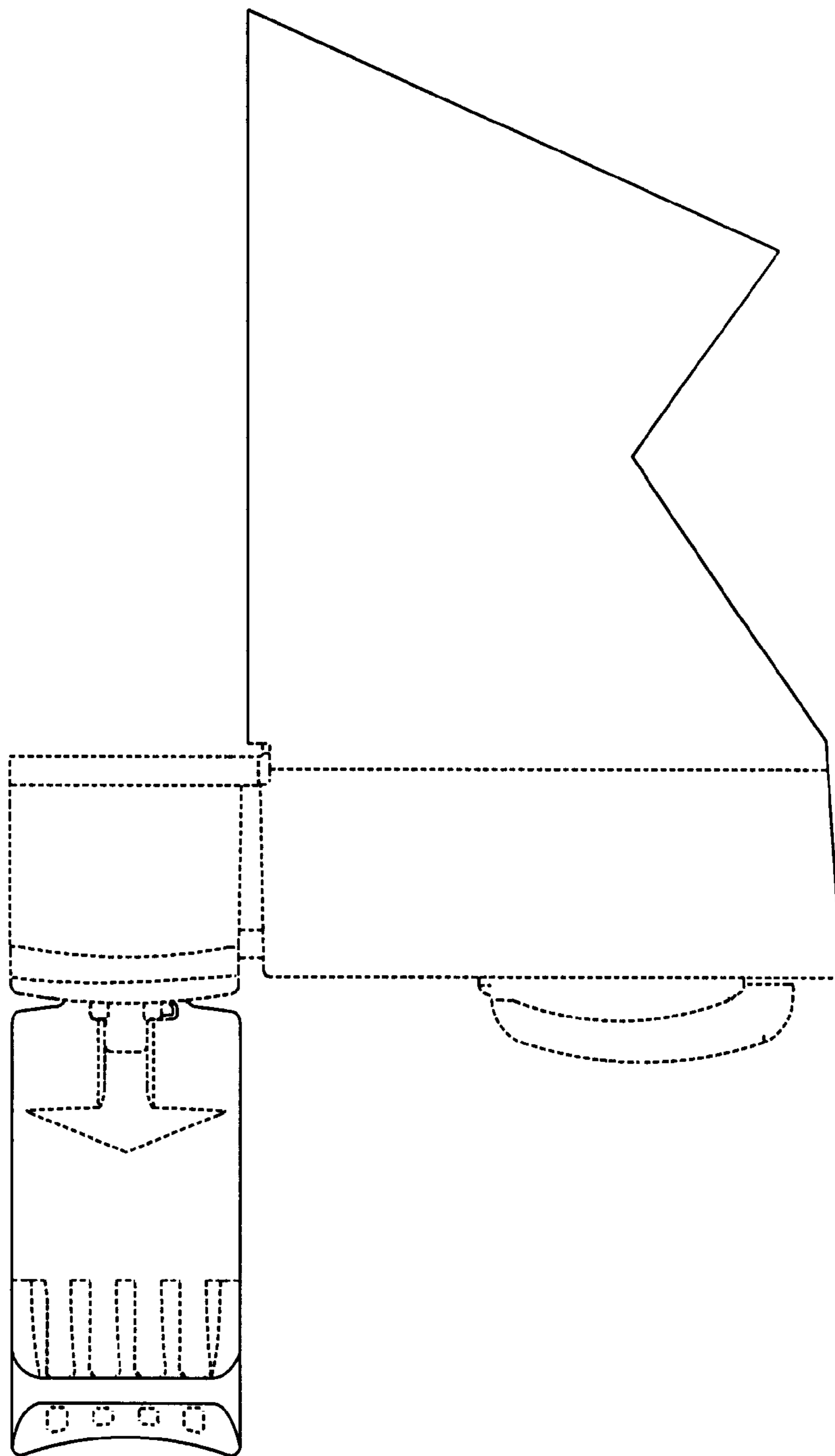


FIG. 9

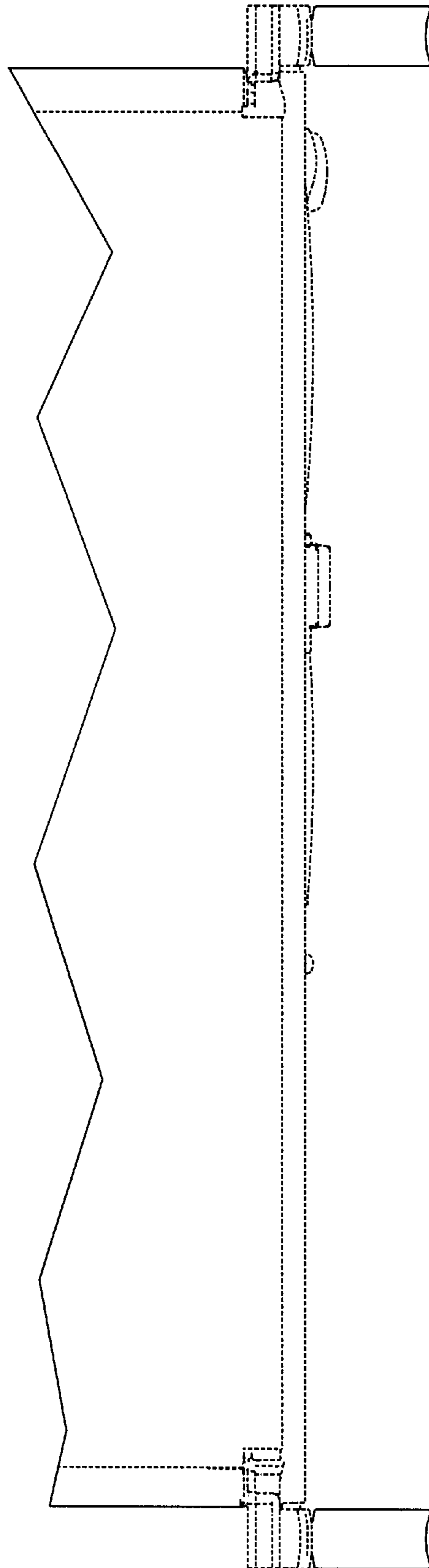


FIG. 10