



US00D541284S

(12) **United States Design Patent**
Hibino et al.

(10) **Patent No.:** **US D541,284 S**
(45) **Date of Patent:** **** Apr. 24, 2007**

(54) **PORTION OF A CHARGING DEVICE**

(75) Inventors: **Yoshihiko Hibino**, Gifu-Ken (JP);
Yuichi Yasutomo, Nagoya (JP);
Yoshiko Shimada, Nagoya (JP); **Kazuo Ito**,
Aichi-ken (JP); **Yukihiko Sato**, Nagoya (JP)

(73) Assignee: **Brother Industries, Ltd.**, Nagoya (JP)

(**) Term: **14 Years**

(21) Appl. No.: **29/232,933**

(22) Filed: **Jun. 27, 2005**

(30) **Foreign Application Priority Data**

Dec. 27, 2004 (JP) 2004-040034

(51) **LOC (8) Cl.** **14-02**

(52) **U.S. Cl.** **D14/434**

(58) **Field of Classification Search** D14/371–375,
D14/382, 315, 420–424, 434, 439, 447, 230,
D14/231; D18/36–39, 55; 358/474; 235/462.11,
235/462.14, 462.31, 462.43, 462.18, 462.36,
235/454, 470; 359/199, 213, 214; D13/107–110;
D6/349, 362, 364–66, 368, 374, 379, 380,
D6/500, 502; 297/452.24; D12/133; D7/587;
D25/52; 4/579

See application file for complete search history.

(56) **References Cited**

U.S. PATENT DOCUMENTS

2,658,563	A	*	11/1953	Nordmark	297/452.24
D195,620	S	*	7/1963	Chapman	D6/374
3,389,936	A	*	6/1968	Drabert	297/452.24
D221,752	S	*	9/1971	Brewer	D6/349
D224,384	S	*	7/1972	Brewer	D6/379
3,922,682	A	*	11/1975	Hyde	343/761
D245,016	S	*	7/1977	Barr	D25/56
D248,343	S	*	7/1978	Gageby	D6/349
D261,203	S	*	10/1981	Shames et al.	D6/540
D266,807	S	*	11/1982	Thompson	D6/540
D285,396	S	*	9/1986	Odate	D6/536
D337,465	S	*	7/1993	Paulin et al.	D6/540
D345,969	S	*	4/1994	McKnight et al.	D14/451
D356,782	S	*	3/1995	Leman	D14/434

D363,276	S	*	10/1995	Lucente et al.	D14/434
D365,182	S	*	12/1995	Zehrunge	D32/55
D375,945	S	*	11/1996	Shin et al.	D14/434
D390,024	S	*	2/1998	DeJule	D6/373
D391,928	S	*	3/1998	Kondo et al.	D14/434
D391,929	S	*	3/1998	Inoue	D14/434
D391,931	S	*	3/1998	Iino	D14/434
D393,451	S	*	4/1998	Faranda et al.	D14/434
D394,645	S	*	5/1998	Inoue	D14/434
D395,871	S	*	7/1998	Iino	D14/434
D402,642	S	*	12/1998	Faranda et al.	D14/434
5,862,036	A	*	1/1999	Lin	361/686
D412,702	S	*	8/1999	Goto	D14/434
D413,108	S	*	8/1999	Suzuki	D14/434
D433,858	S	*	11/2000	Gastelum et al.	D6/540
D452,098	S	*	12/2001	Zetsche	D6/540
D454,716	S	*	3/2002	Tseng	D6/379
D456,812	S	*	5/2002	Bliven et al.	D14/434
D461,326	S	*	8/2002	Bouroullec et al.	D6/368
D462,846	S	*	9/2002	Gasca Burges	D6/366
D463,144	S	*	9/2002	Pennington et al.	D6/366
D470,849	S	*	2/2003	Bertagnole et al.	D14/434
D473,112	S	*	4/2003	de Groote	D7/698
D473,840	S	*	4/2003	Sauer	D12/416
D482,540	S	*	11/2003	Ashby	D6/374

* cited by examiner

Primary Examiner—M. H. Tung

Assistant Examiner—Susan Moon Lee

(74) *Attorney, Agent, or Firm*—Oliff & Berridge, PLC

(57) **CLAIM**

The ornamental design for a portion of a charging device, as shown and described.

DESCRIPTION

FIG. 1 is a front view portion of a charging device;
FIG. 2 is a top view thereof;
FIG. 3 is a perspective view thereof;
FIG. 4 is a cross-sectional view taken along the lines 4—4
of FIG. 1; and,
FIG. 5 is a cross-sectional view taken along the lines 5—5
of FIG. 2.
The broken line showing is for illustrative purposes only and
forms no part of the claimed design.

1 Claim, 3 Drawing Sheets

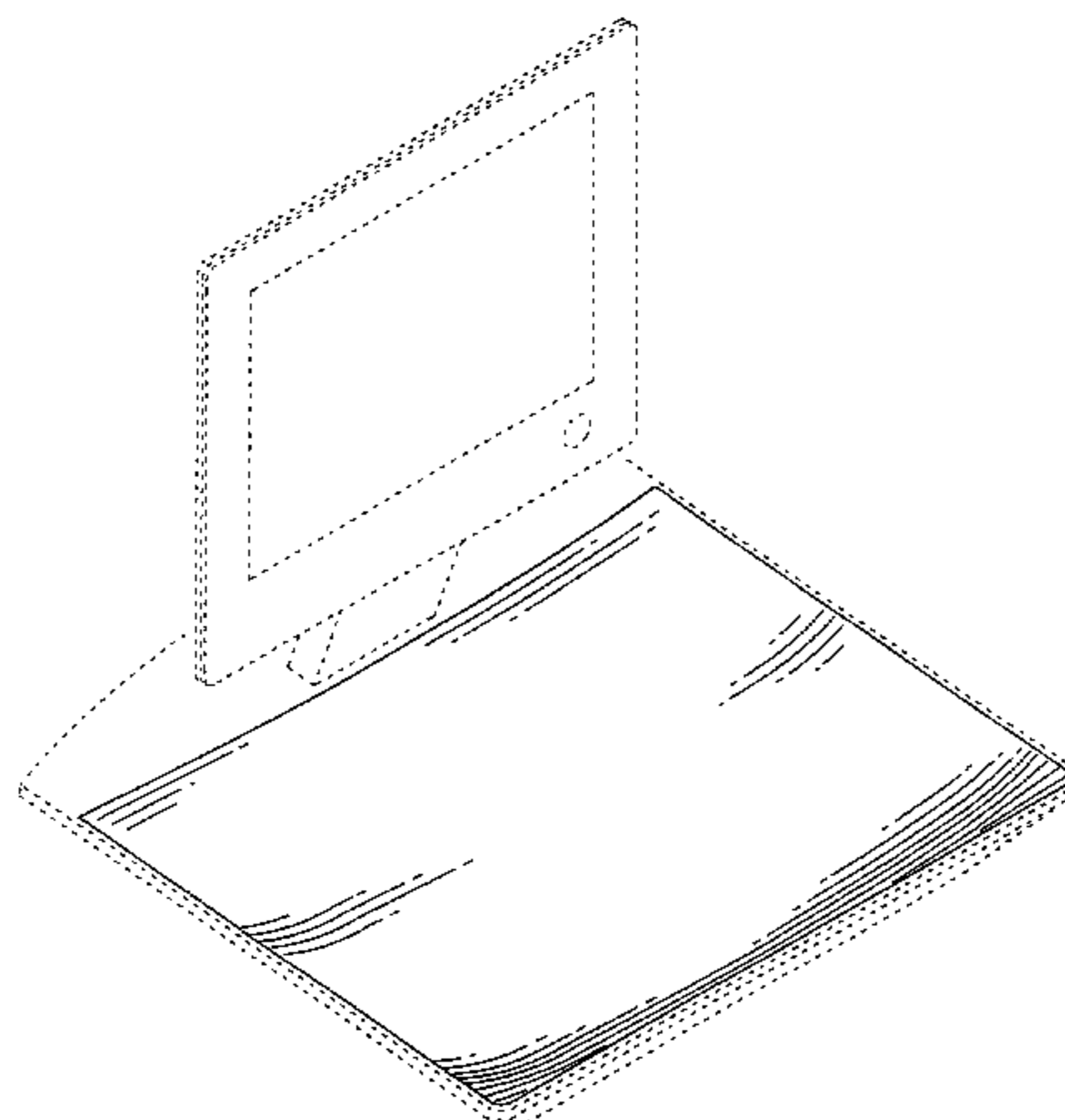


FIG. 1

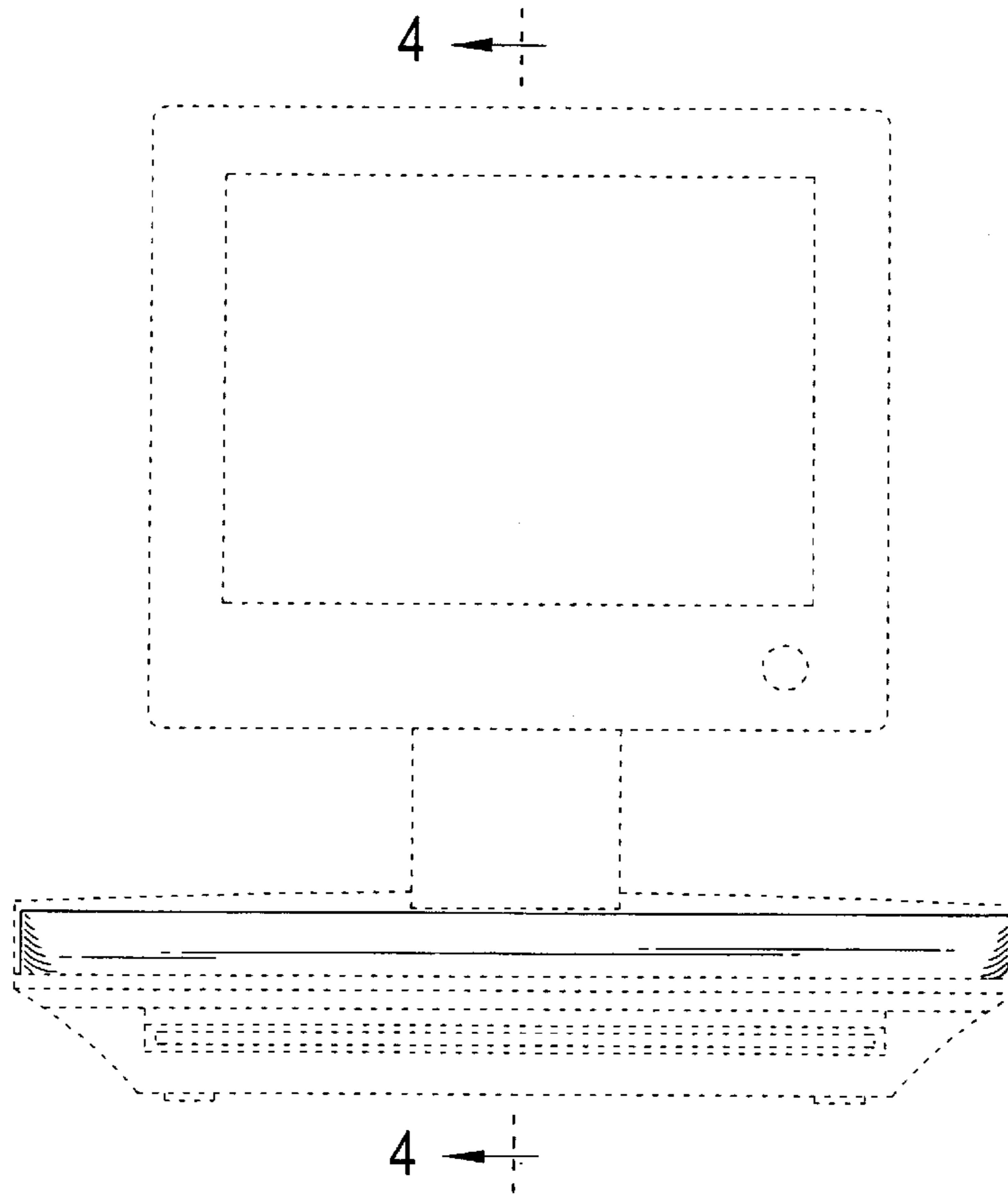
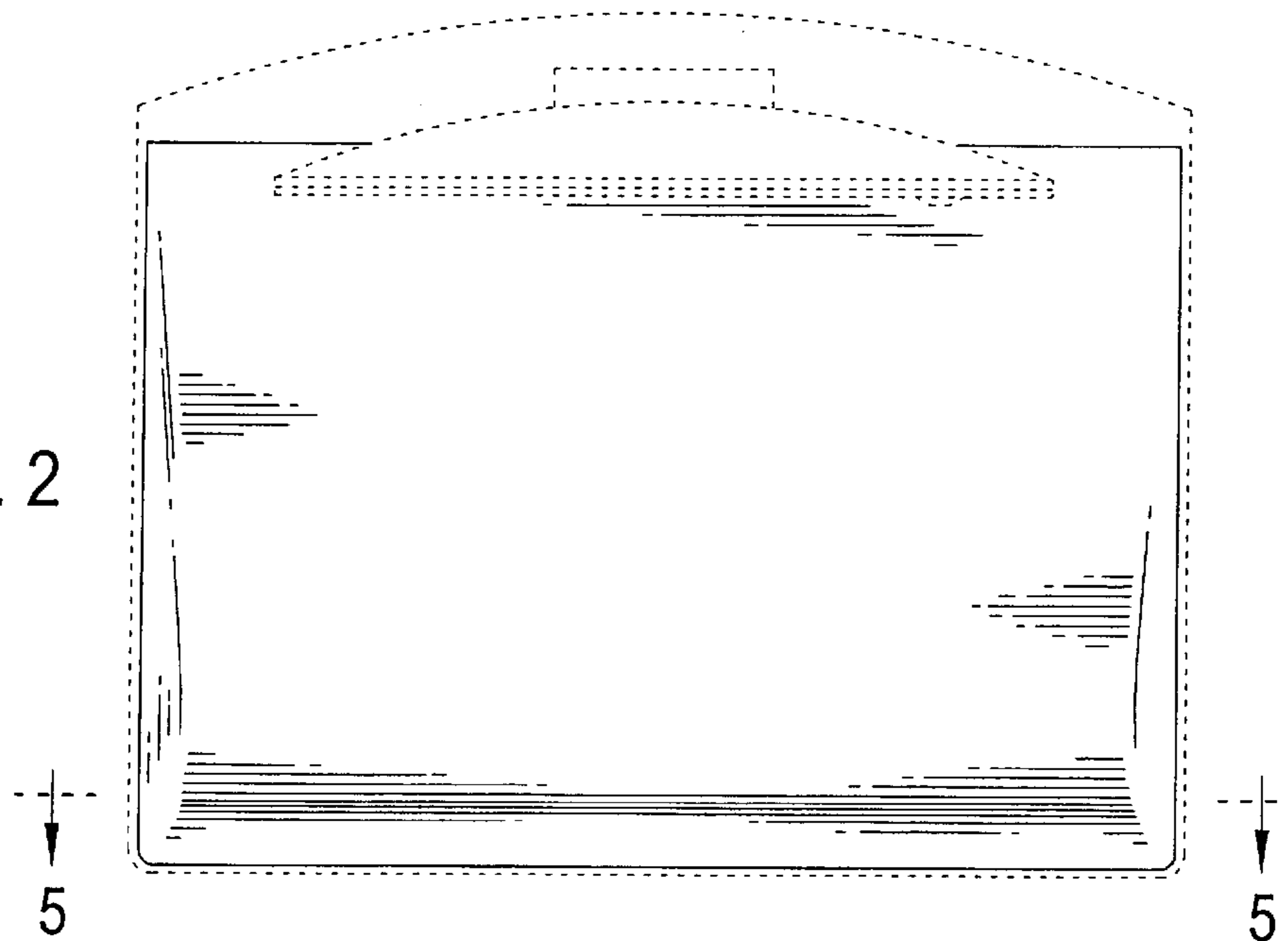


FIG. 2



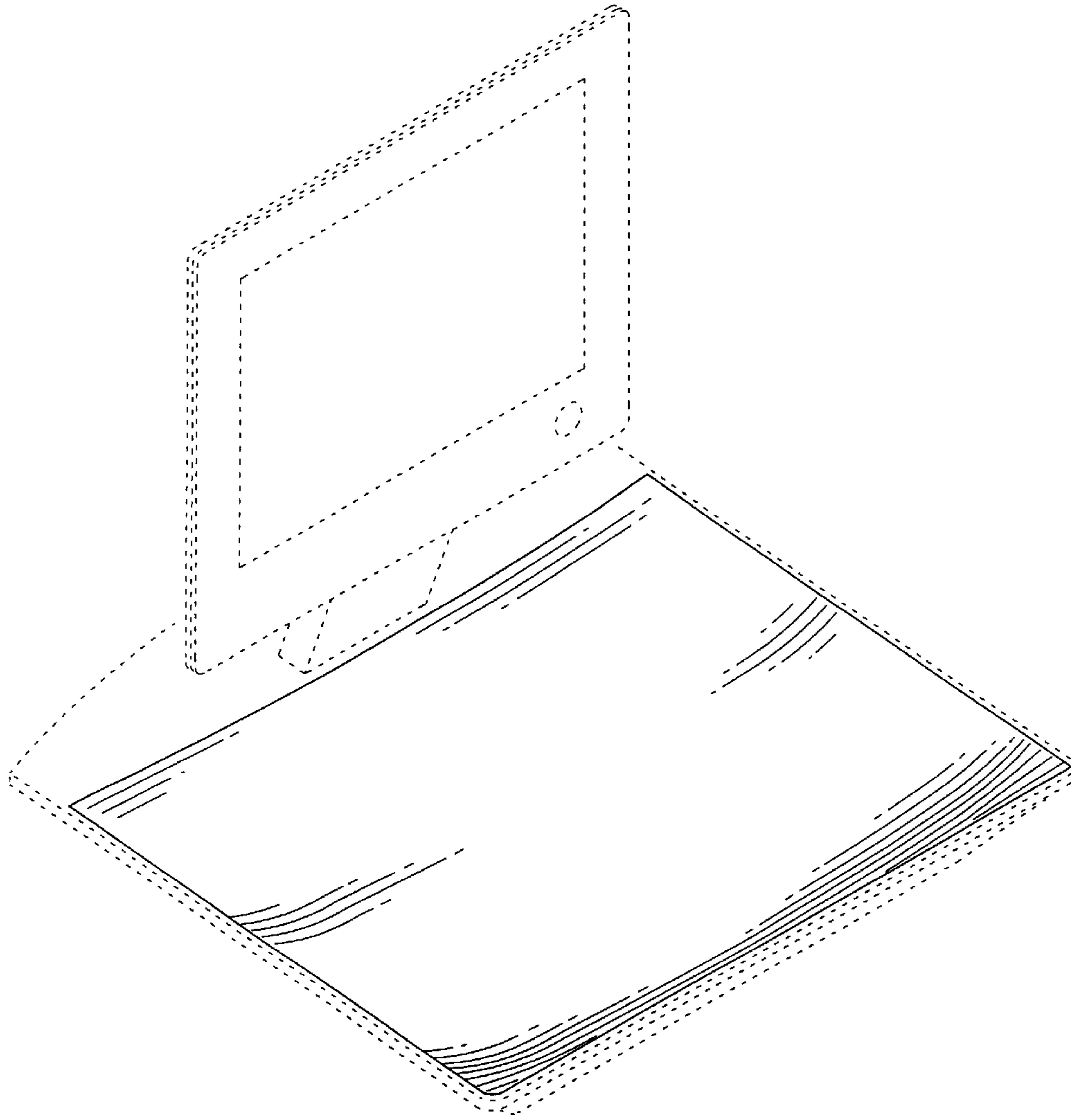


FIG. 3

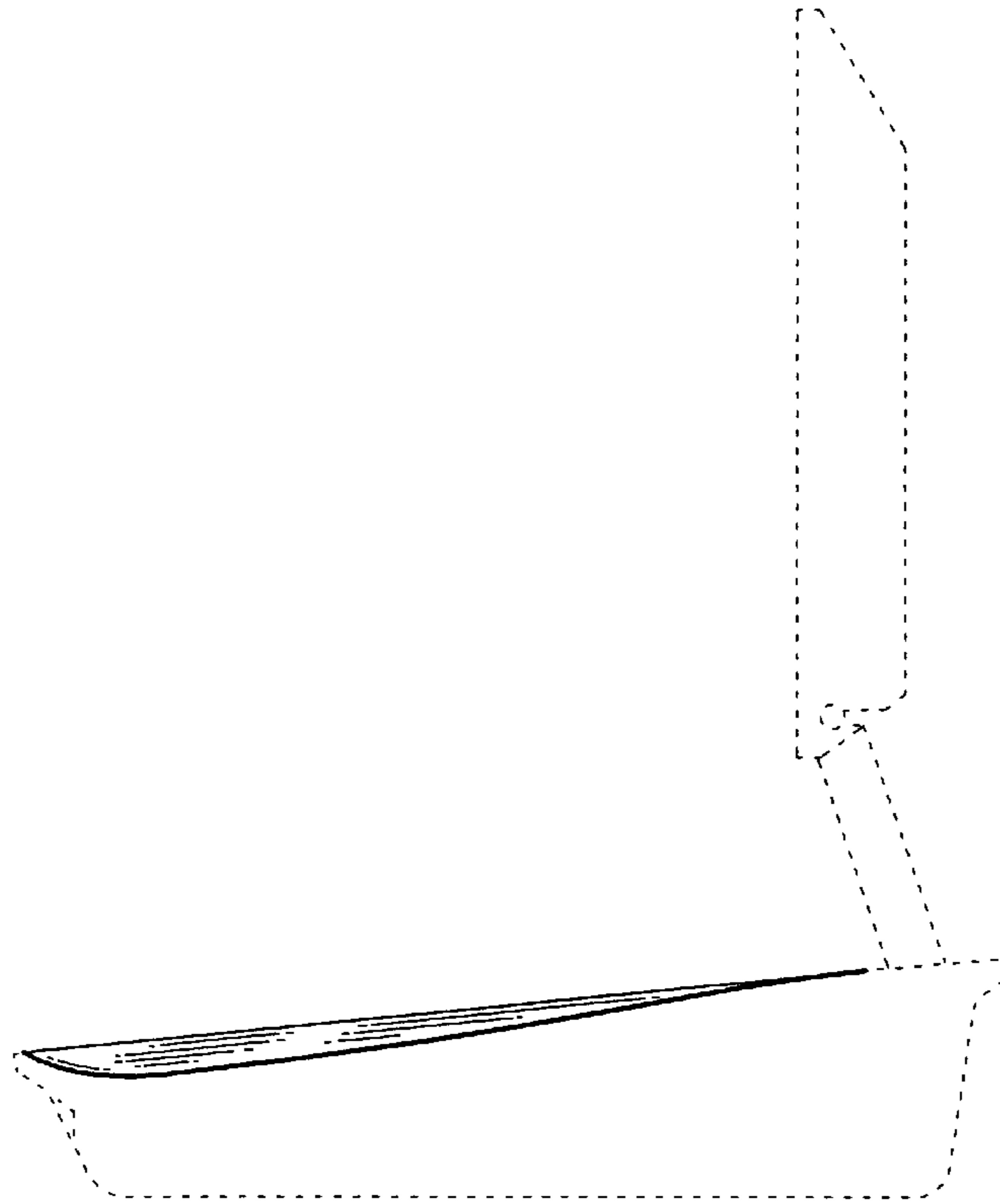


FIG. 4

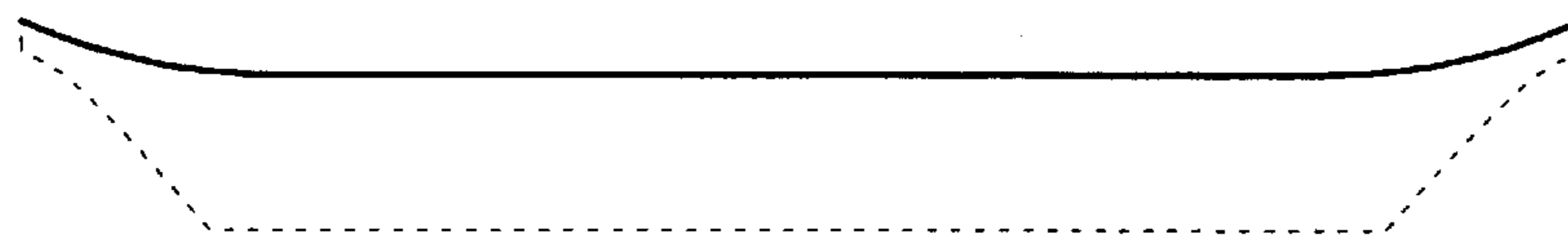


FIG. 5