



US00D541282S

(12) **United States Design Patent**  
**Yamano et al.**

(10) **Patent No.: US D541,282 S**

(45) **Date of Patent: \*\* Apr. 24, 2007**

(54) **SCANNER**

(75) Inventors: **Hirokazu Yamano**, Nagano (JP); **Teruo Baba**, Nagano (JP)

(73) Assignee: **Seiko Epson Corporation**, Tokyo (JP)

(\*\*) Term: **14 Years**

(21) Appl. No.: **29/232,018**

(22) Filed: **Jun. 15, 2005**

(30) **Foreign Application Priority Data**

Jan. 31, 2005 (JP) ..... 2005-002397

(51) **LOC (8) Cl.** ..... **14-02**

(52) **U.S. Cl.** ..... **D14/425**

(58) **Field of Classification Search** ..... D14/420,  
D14/422, 424-25, 464, 453; D18/36-39;  
235/470; 355/72, 75, 40; 358/474, 486, 488,  
358/494, 497

See application file for complete search history.

(56) **References Cited**

U.S. PATENT DOCUMENTS

D391,930 S \* 3/1998 Cheng-Yung ..... D14/425

D440,571 S \* 4/2001 Omuro et al. .... D14/425  
D457,886 S \* 5/2002 Sekine ..... D14/424  
D462,561 S \* 9/2002 Bellin et al. .... D6/634  
D462,687 S \* 9/2002 Akahane et al. .... D14/425  
D462,963 S \* 9/2002 Yamano ..... D14/425  
D465,494 S \* 11/2002 Lin ..... D14/425

\* cited by examiner

*Primary Examiner*—M. H. Tung

*Assistant Examiner*—Susan Moon Lee

(74) *Attorney, Agent, or Firm*—Sughrue Mion, PLLC

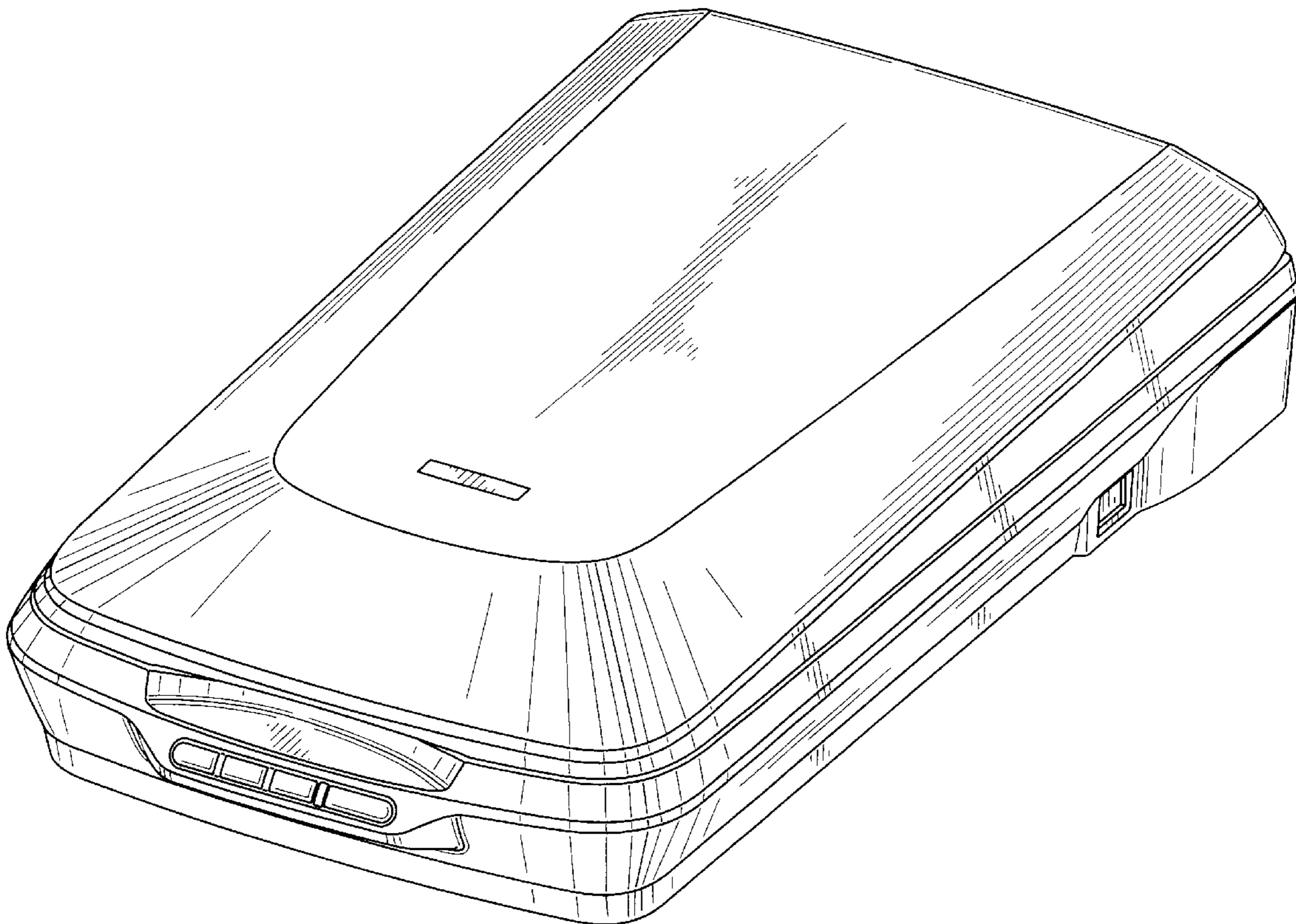
(57) **CLAIM**

The ornamental design for a scanner, as shown.

**DESCRIPTION**

FIG. 1 is a perspective view of the top, front and right side of a scanner showing our new design;  
FIG. 2 is a front elevational view thereof;  
FIG. 3 is a rear elevational view thereof;  
FIG. 4 is a left side elevational view thereof;  
FIG. 5 is a right side elevational view thereof;  
FIG. 6 is a top plan view thereof; and,  
FIG. 7 is a bottom plan view thereof.

**1 Claim, 5 Drawing Sheets**



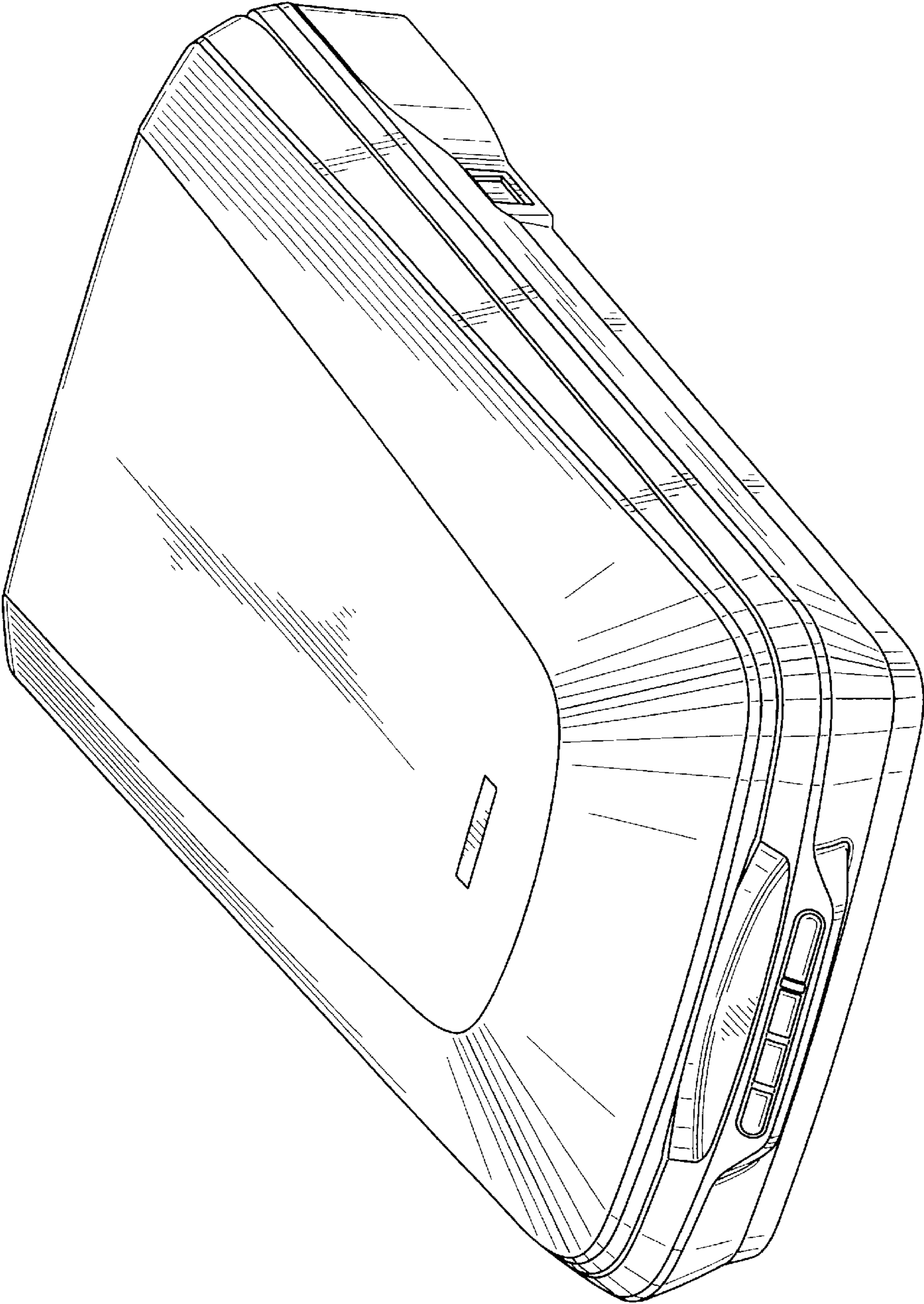
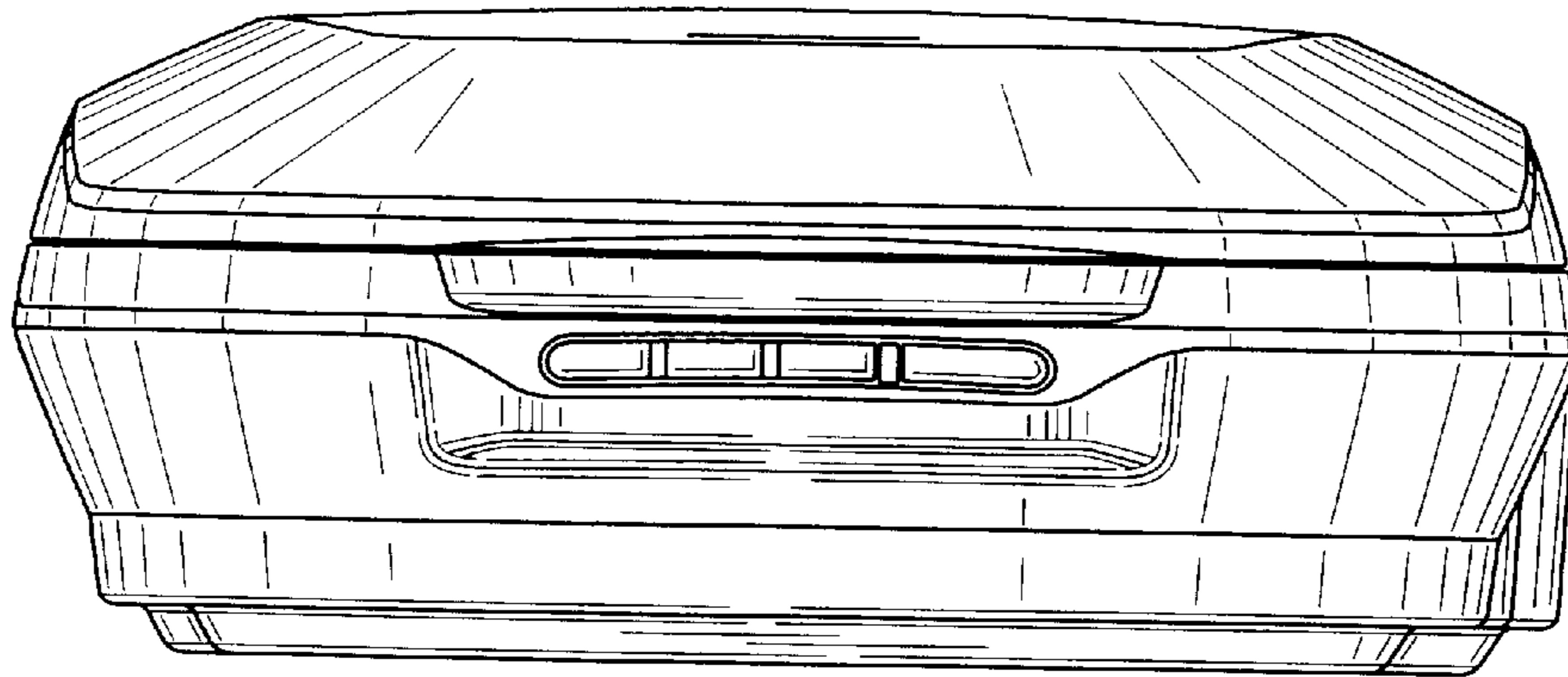
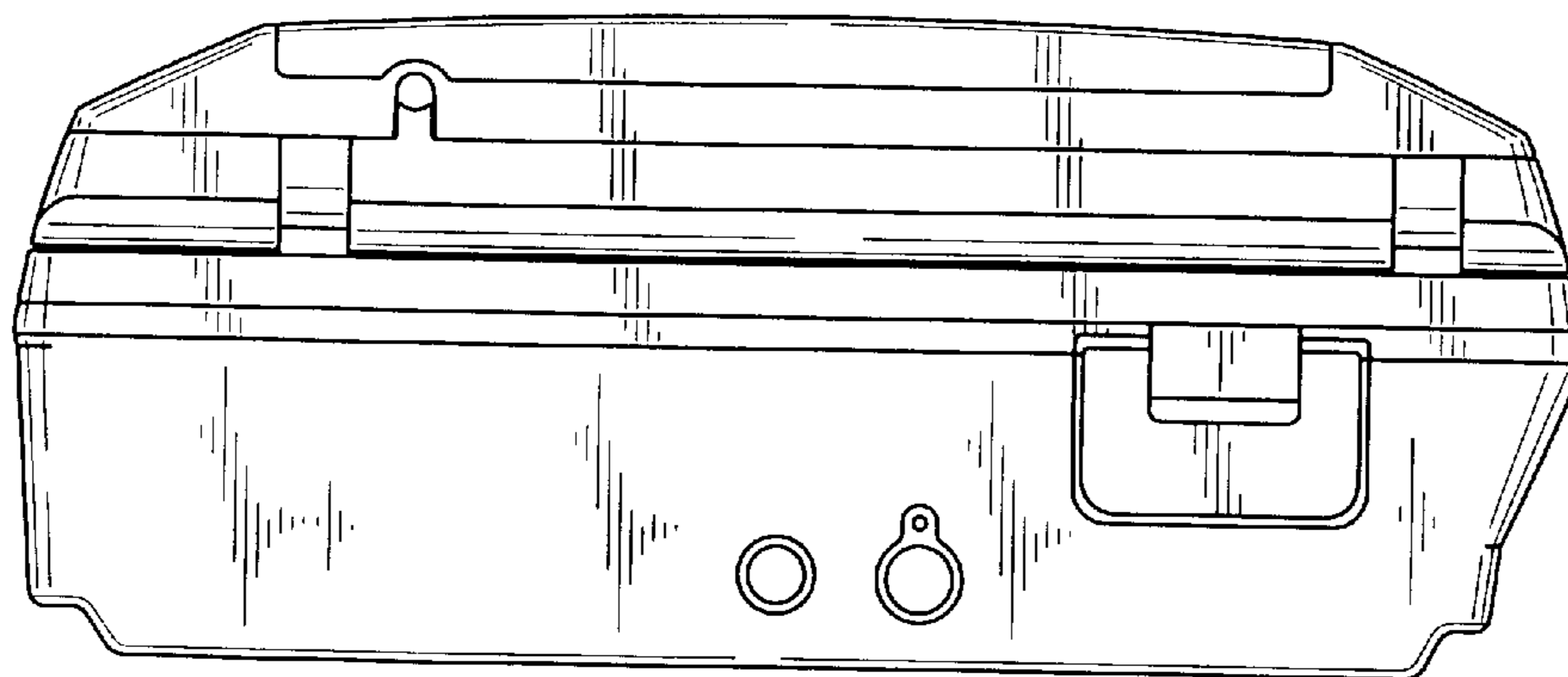


FIG. 1



*FIG. 2*



*FIG. 3*



FIG. 4

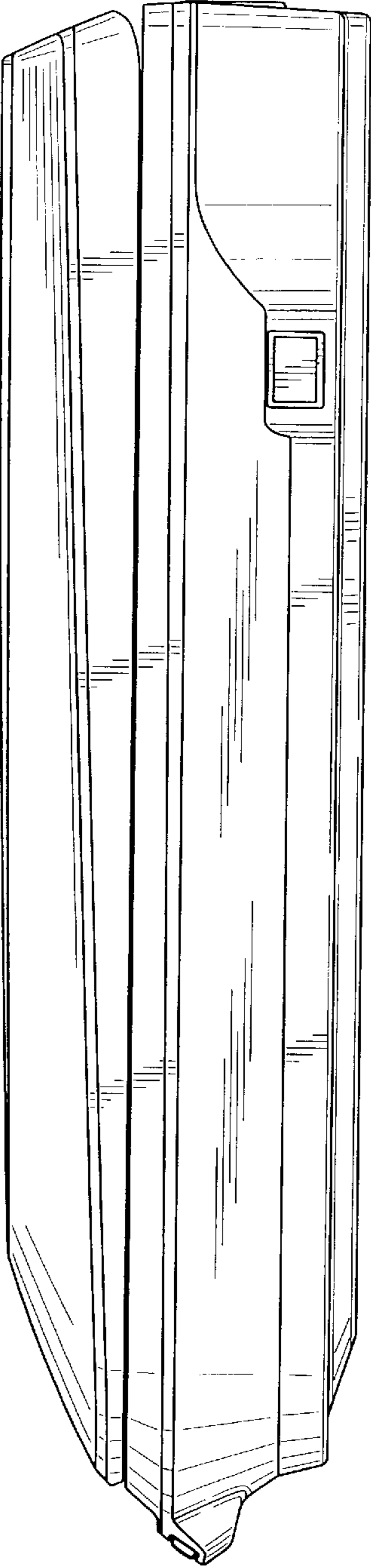
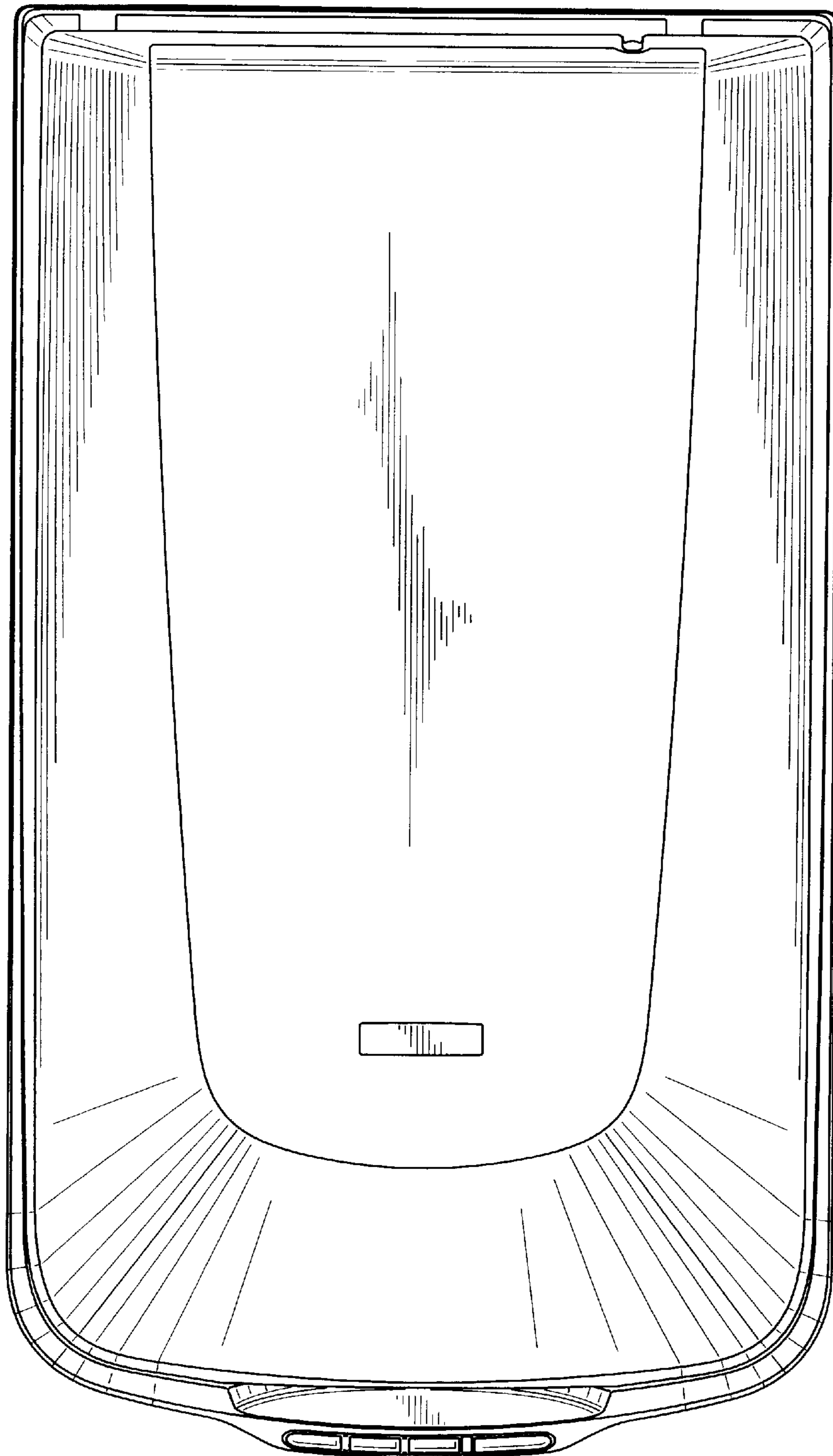
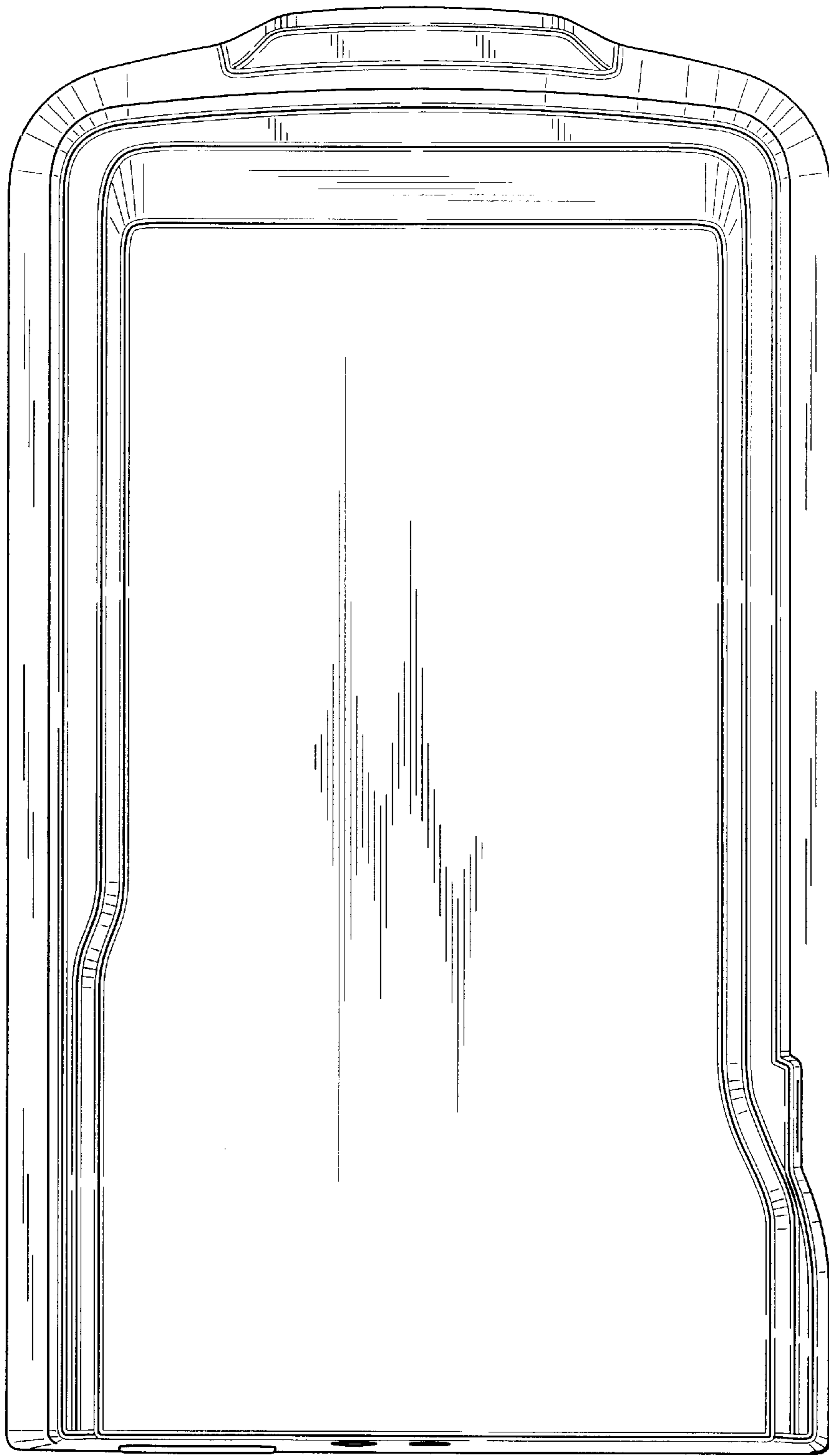


FIG. 5



*FIG. 6*



*FIG. 7*