



US00D541280S

(12) **United States Design Patent**  
**Hasegawa et al.**

(10) **Patent No.:** **US D541,280 S**

(45) **Date of Patent:** **\*\* Apr. 24, 2007**

(54) **IMAGE SCANNER APPARATUS**

(75) Inventors: **Yohji Hasegawa**, Chichibu (JP);  
**Shigeru Ikezaki**, Wako (JP); **Teruhiko Kitamura**, Tokyo (JP)

(73) Assignee: **Canon Denshi Kabushiki Kaisha**,  
Chichibu-shi, Saitama-ken (JP)

(\*\*) Term: **14 Years**

(21) Appl. No.: **29/232,014**

(22) Filed: **Jun. 15, 2005**

(30) **Foreign Application Priority Data**

Jan. 31, 2005 (JP) ..... 2005-002336

(51) **LOC (8) Cl.** ..... **14-02**

(52) **U.S. Cl.** ..... **D14/421**

(58) **Field of Classification Search** ..... 235/470,  
235/462.43, 482, 483; D14/420-425; D16/246-248,  
D16/250, 225; D18/38, 39, 55; 399/378-380,  
399/405, 367; 355/81, 75; 358/497  
See application file for complete search history.

(56) **References Cited**

**U.S. PATENT DOCUMENTS**

D314,967 S \* 2/1991 Takahashi et al. .... D16/246

D322,978 S \* 1/1992 Yamamoto ..... D16/225  
D341,618 S \* 11/1993 Fukuda et al. .... D16/246  
D366,272 S \* 1/1996 Okamoto et al. .... D16/246  
D478,594 S 8/2003 Ichiyoshi et al. .... D14/422  
D492,313 S 6/2004 Ichiyoshi et al. .... D14/421

\* cited by examiner

*Primary Examiner*—M. H. Tung

*Assistant Examiner*—Susan Moon Lee

(74) *Attorney, Agent, or Firm*—Fitzpatrick, Cella, Harper & Scinto

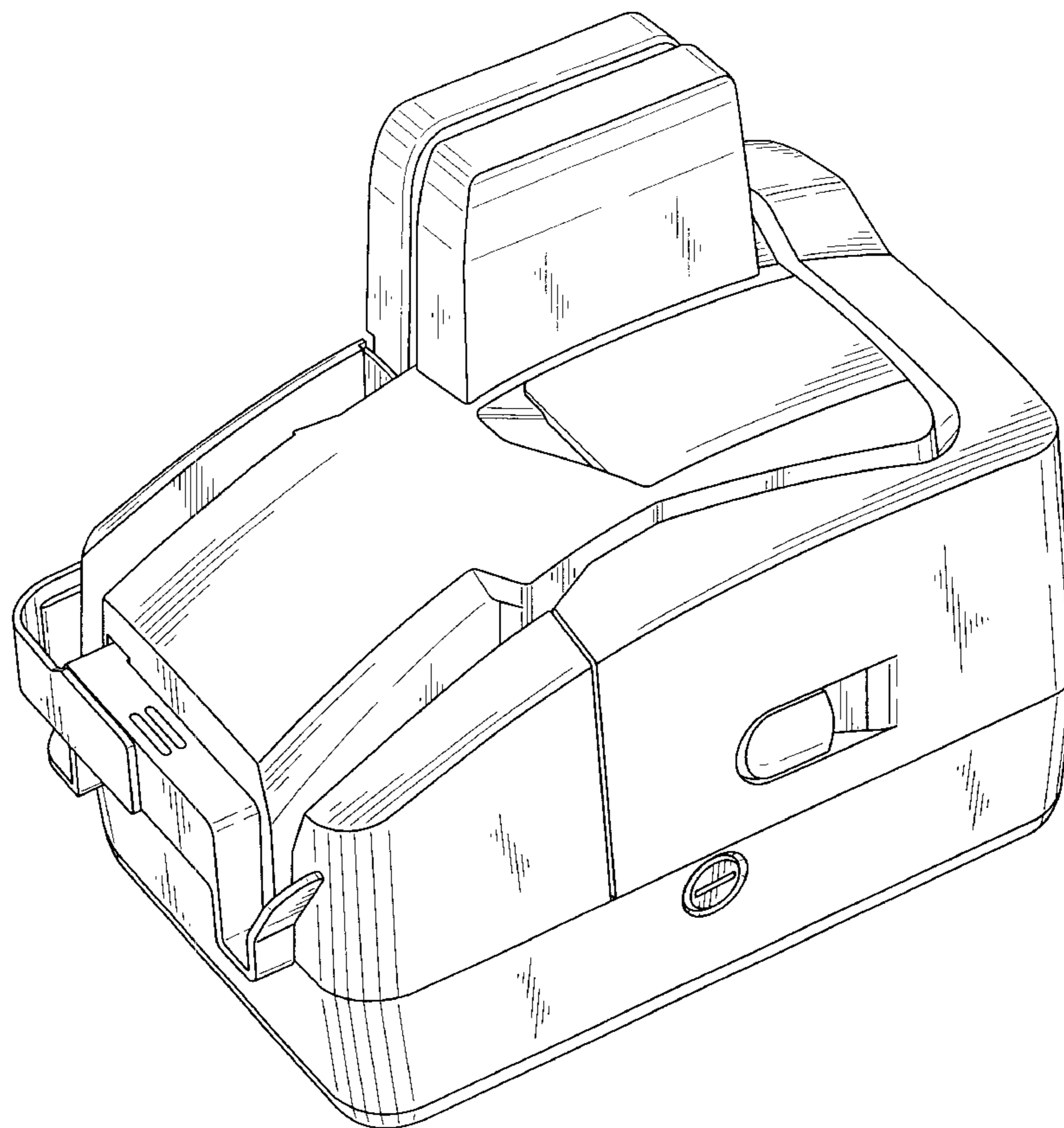
(57) **CLAIM**

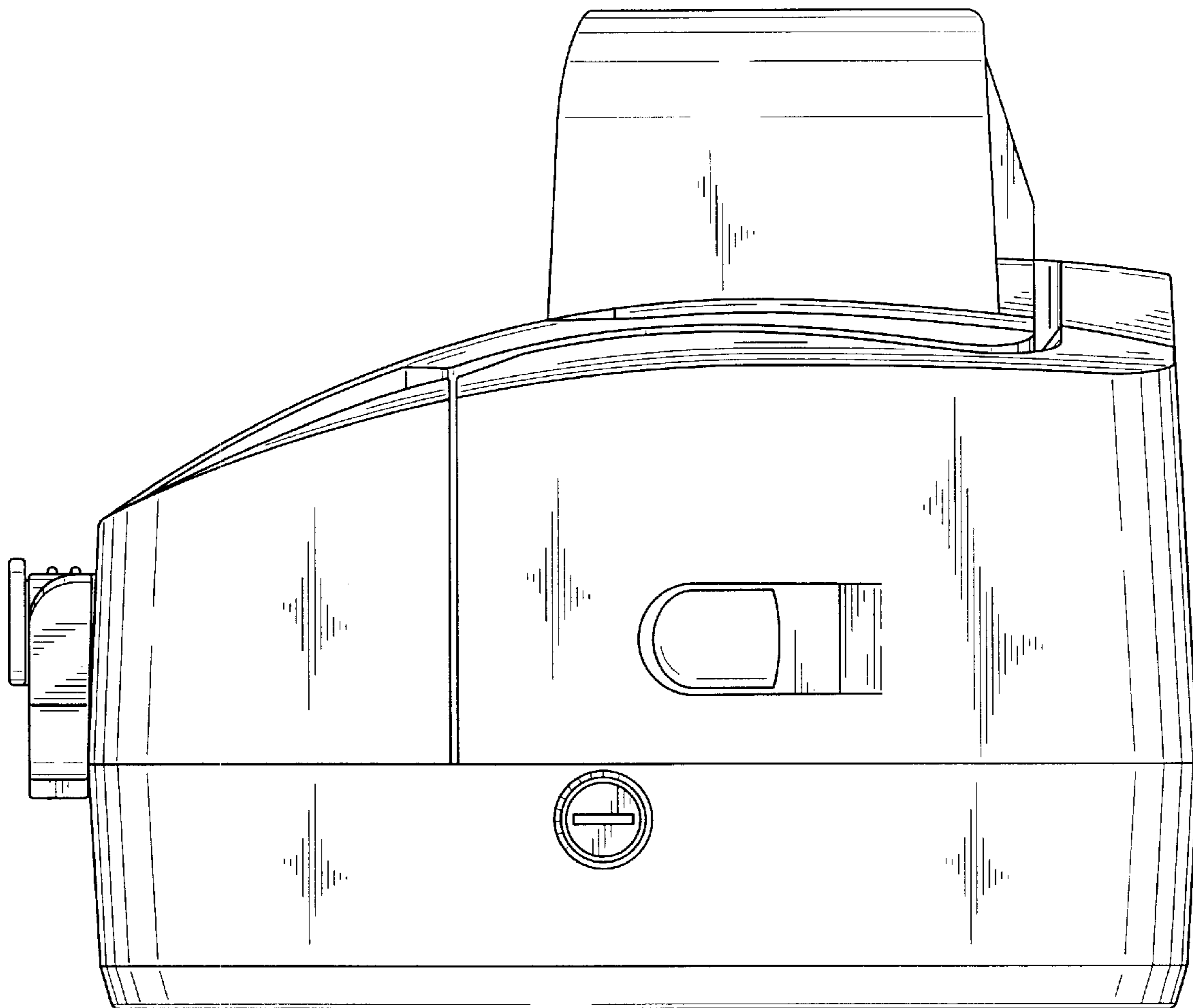
The ornamental design for an image scanner apparatus, as shown and described.

**DESCRIPTION**

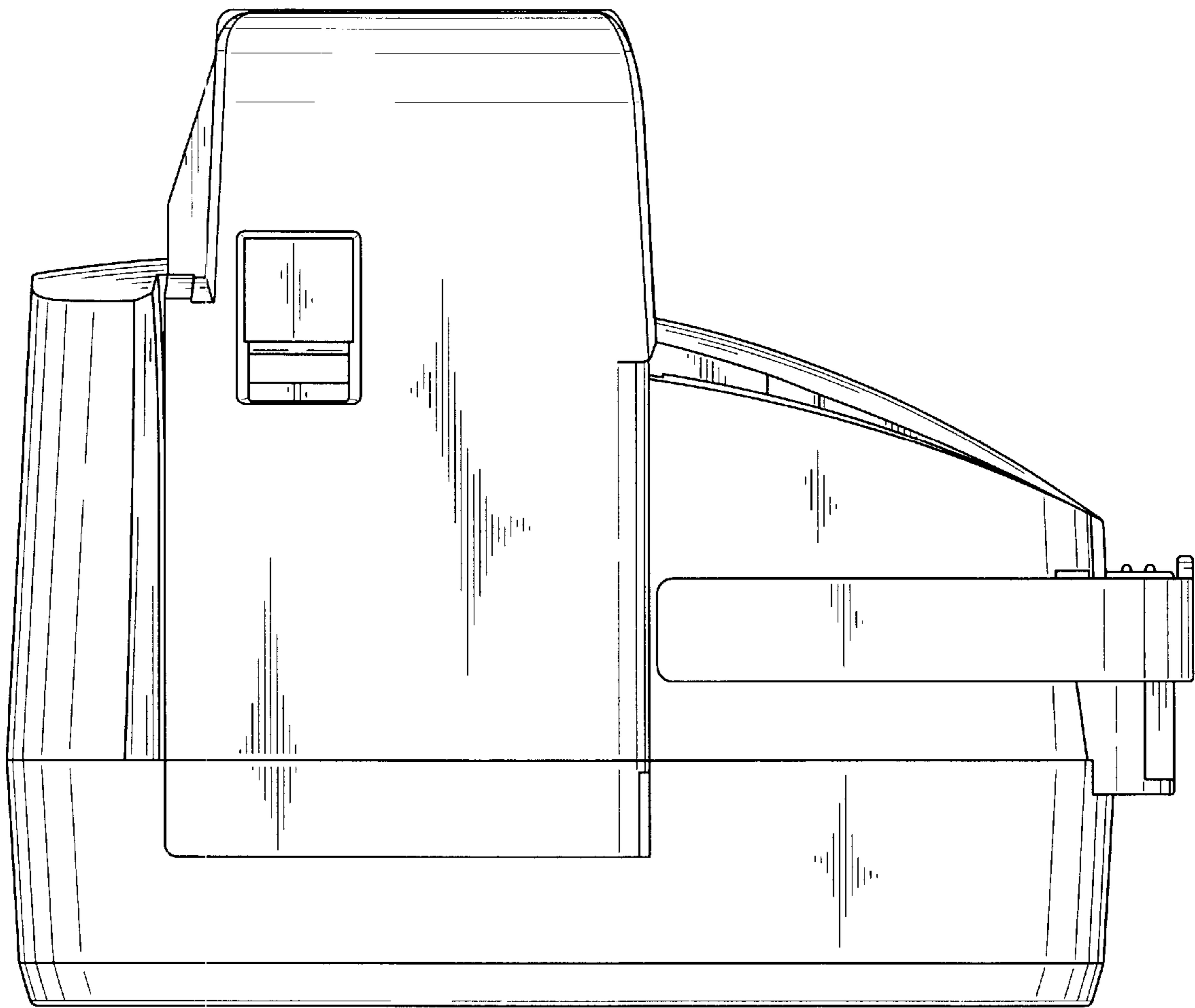
FIG. 1 is a front view of an image scanner apparatus showing our new design;  
FIG. 2 is a rear view thereof;  
FIG. 3 is a top plan view thereof;  
FIG. 4 is a bottom plan view thereof;  
FIG. 5 is a left side view thereof;  
FIG. 6 is a right side view thereof; and,  
FIG. 7 is a perspective view thereof.

**1 Claim, 6 Drawing Sheets**





*FIG. 1*



*FIG. 2*

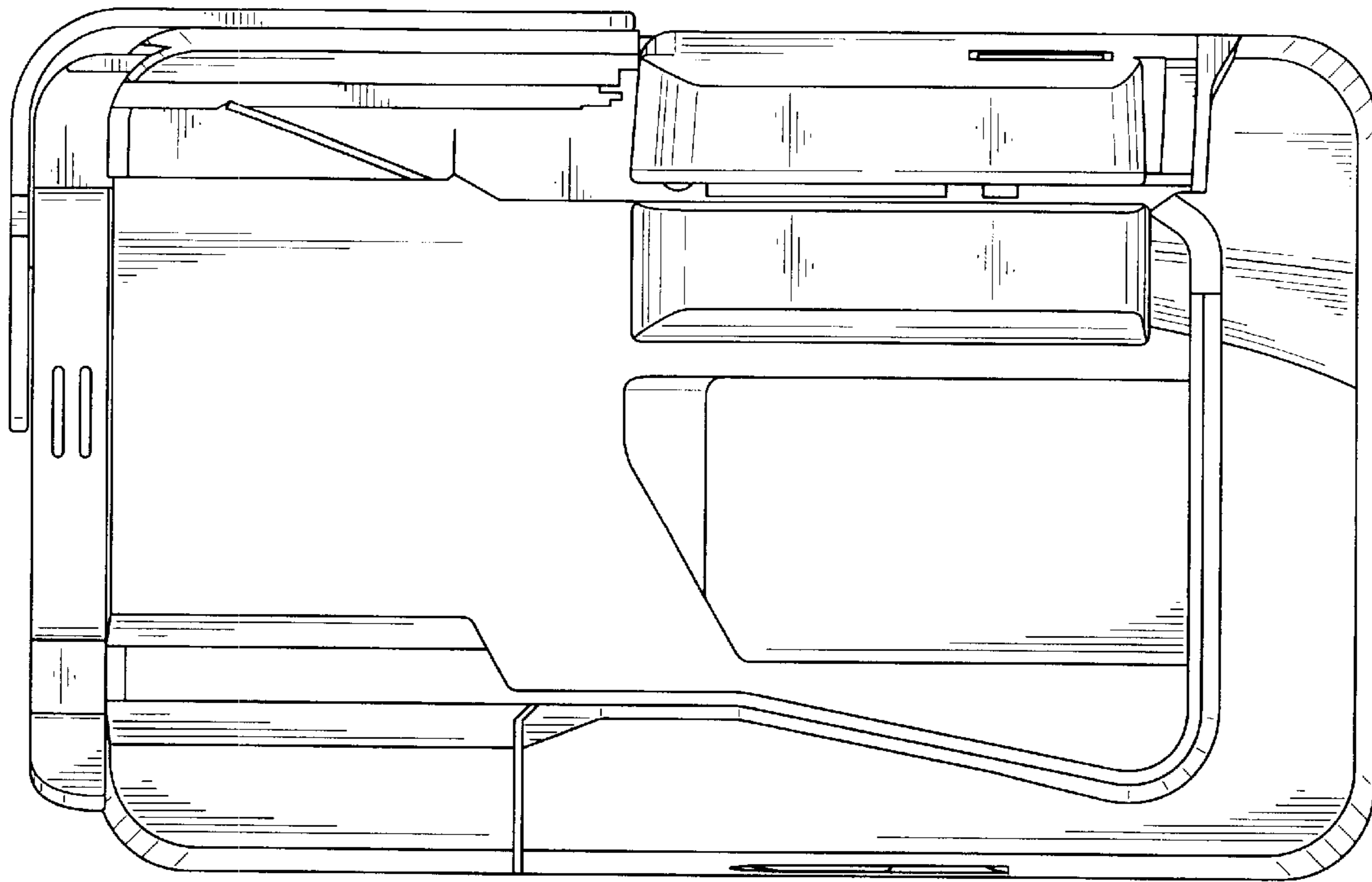


FIG. 3

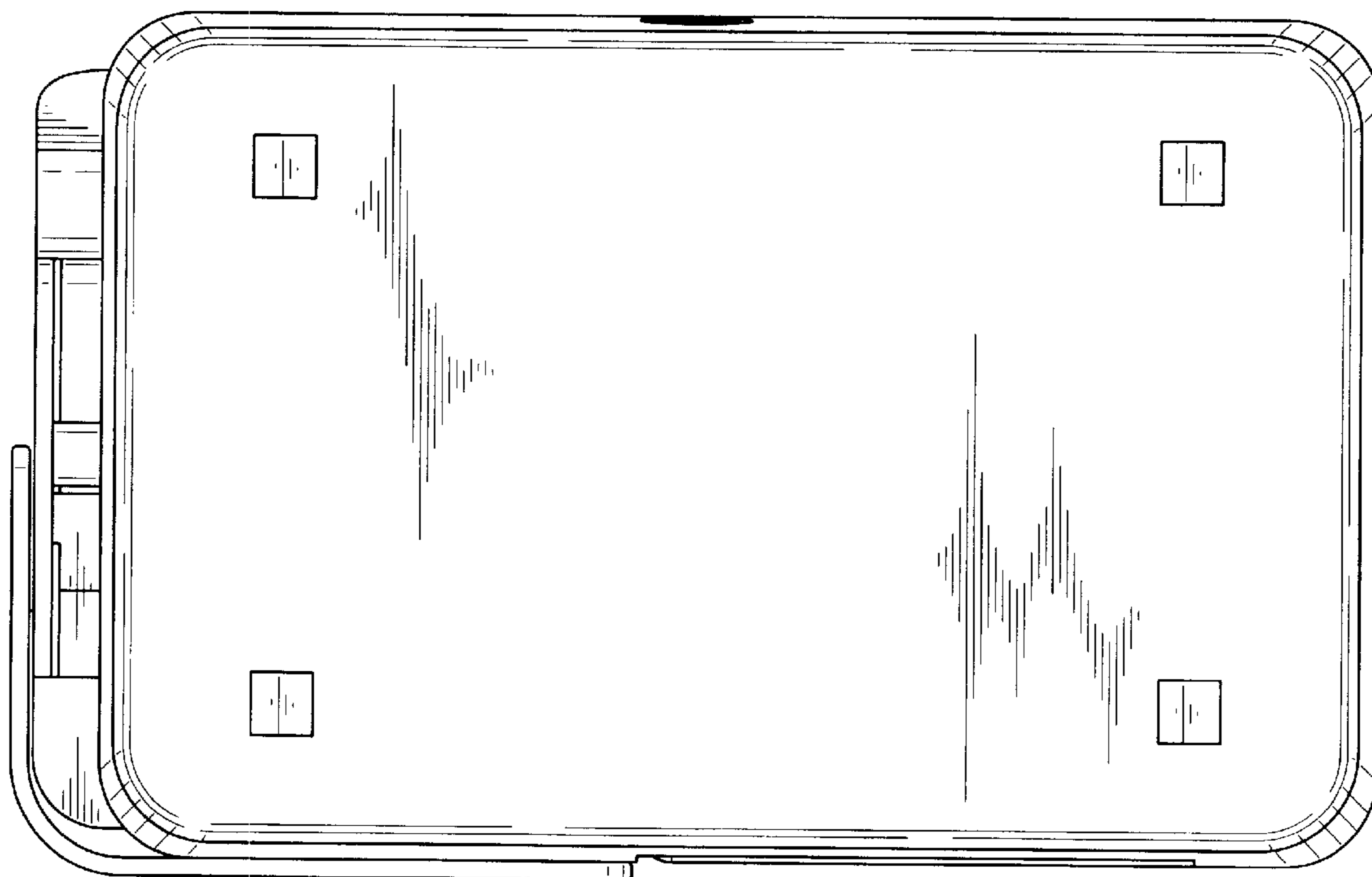
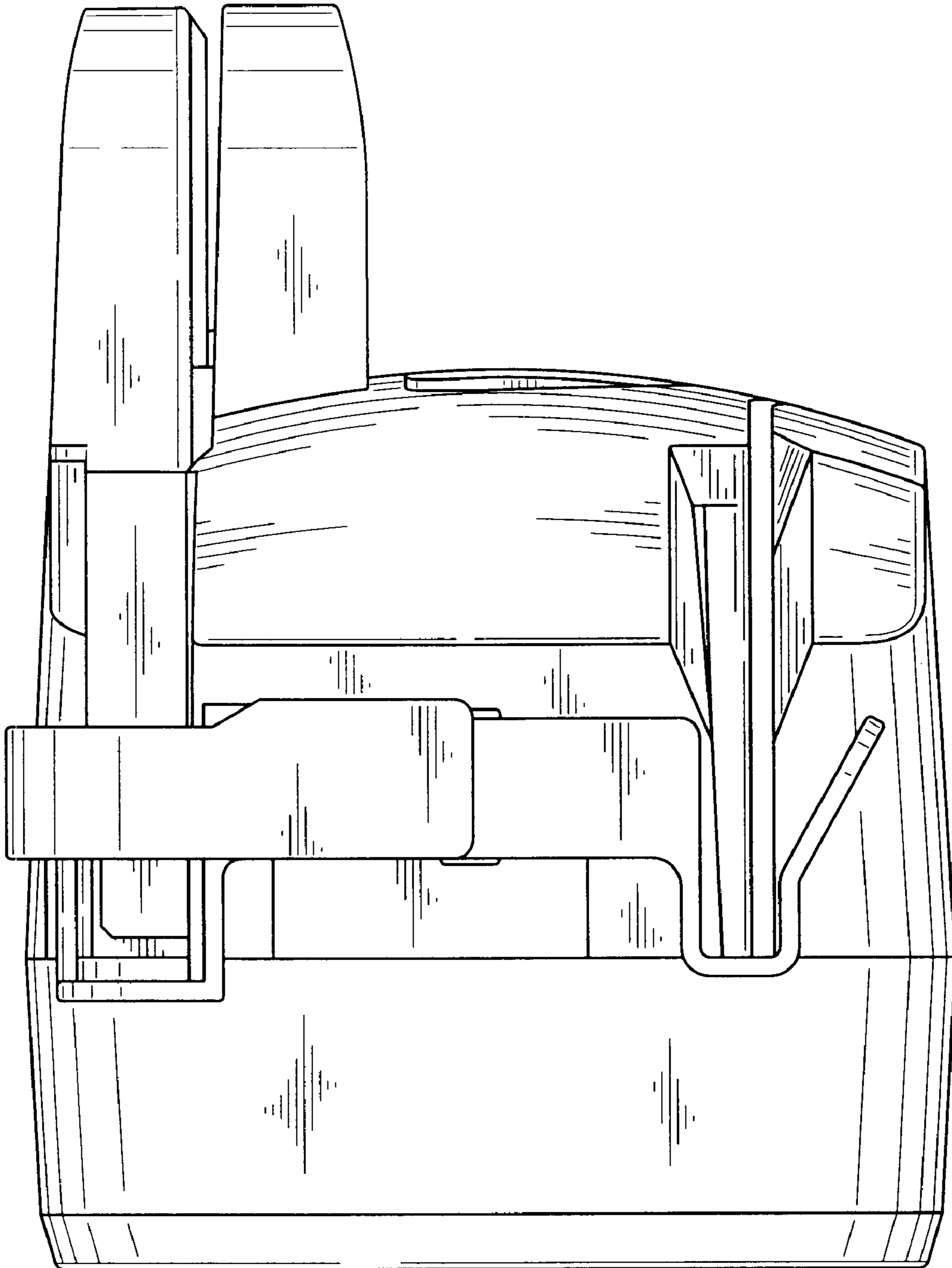
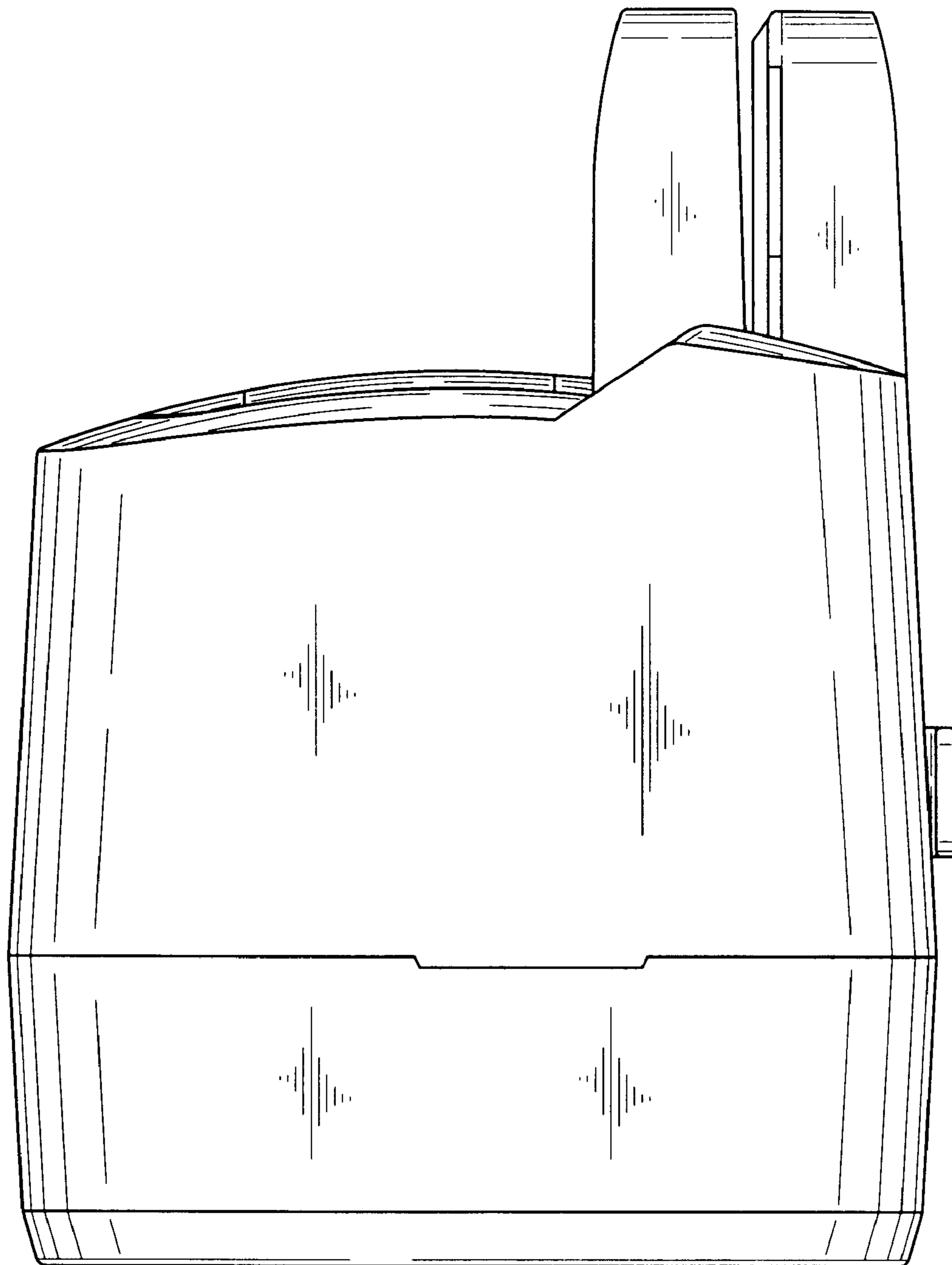


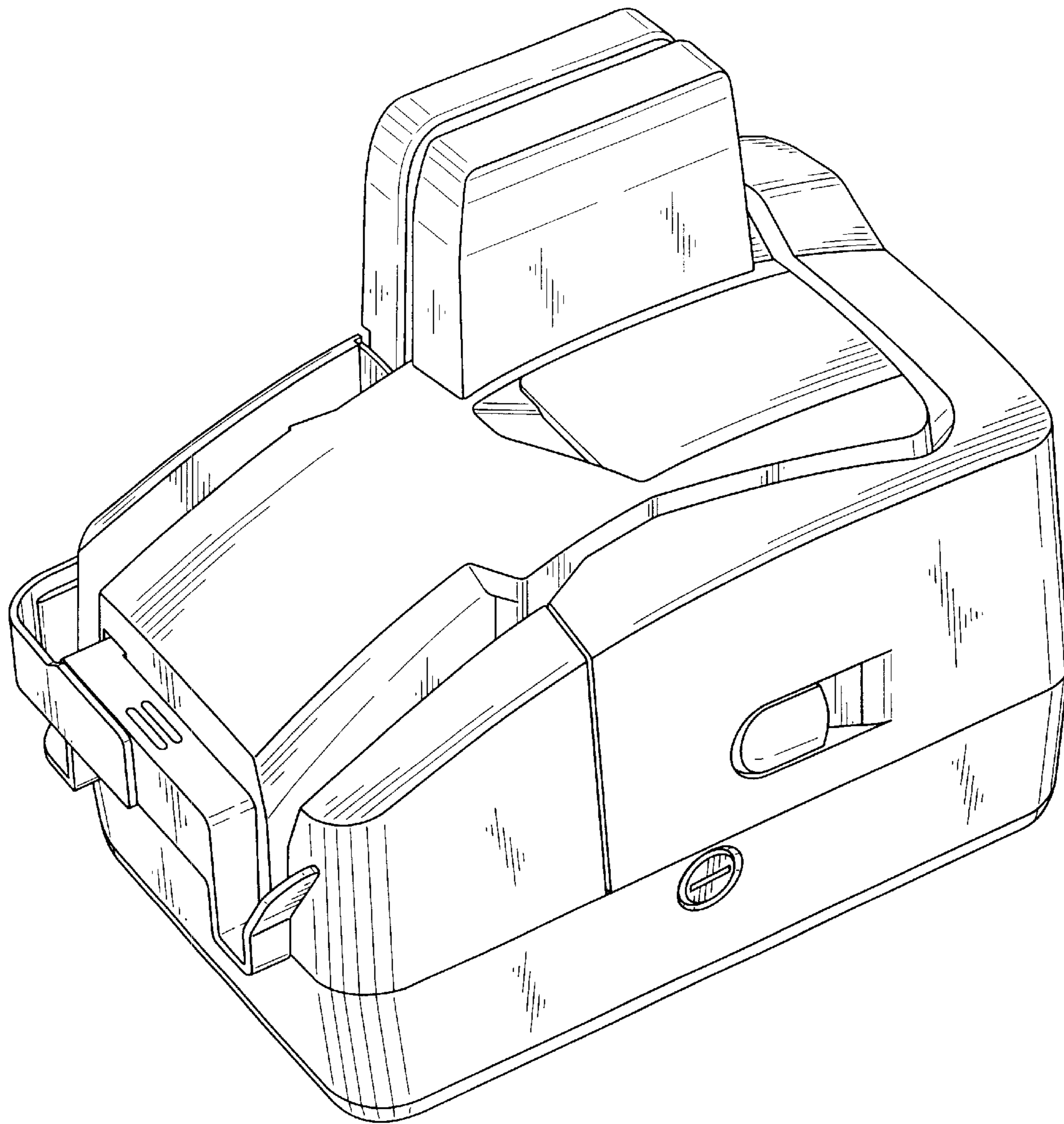
FIG. 4



**FIG. 5**



**FIG. 6**



*FIG. 7*