

US00D541278S

(12) **United States Design Patent**  
**Hsu et al.**

(10) **Patent No.:** **US D541,278 S**  
(45) **Date of Patent:** **\*\* Apr. 24, 2007**

(54) **DISPLAY DEVICE CAPABLE OF RECEIVING AN ELECTRONIC DEVICE**

(75) Inventors: **Yu-Ming Hsu**, Taipei (TW); **Chien-Jui Wang**, Taipei (TW); **Chia-Chuan Lin**, Taipei Hsien (TW)

(73) Assignee: **BenQ Corporation**, Gueishan, Tao-Yuan Hsien (TW)

(\*\*) Term: **14 Years**

(21) Appl. No.: **29/246,075**

(22) Filed: **Jan. 23, 2006**

(30) **Foreign Application Priority Data**

Aug. 23, 2005 (CN) ..... 200530119749

(51) **LOC (8) Cl.** ..... **14-02**

(52) **U.S. Cl.** ..... **D14/375; D14/336**

(58) **Field of Classification Search** ..... D14/371-375, D14/125-129, 336-337; 345/104, 156, 168, 345/173, 901-905; 348/180, 184, 325, 739; 341/12; 248/917-924, 371; 349/1, 2, 11, 349/62

See application file for complete search history.

(56) **References Cited**

**U.S. PATENT DOCUMENTS**

D442,951 S \* 5/2001 Hill et al. .... D14/336  
D464,049 S \* 10/2002 Goto ..... D14/374

D469,085 S \* 1/2003 Hill et al. .... D14/337  
D475,687 S \* 6/2003 Goto ..... D14/126  
D499,730 S \* 12/2004 Yamashiro ..... D14/375  
D504,426 S \* 4/2005 Shoda et al. .... D14/336  
2003/0189155 A1 \* 10/2003 Serbinski et al. .... 248/371

\* cited by examiner

*Primary Examiner*—Freda S. Nunn

(74) *Attorney, Agent, or Firm*—Winston Hsu

(57) **CLAIM**

The ornamental design for a display device capable of receiving an electronic device, as shown and described.

**DESCRIPTION**

FIG. 1 is a front perspective view of a display device, in accordance with the new design with a base capable of receiving an electronic device, such as a computer host or other peripheral devices, and a support arm for supporting a display panel wherein a cable-packing hole is positioned on the support arm so that the cables of the electronic device can be gathered together by passing through the cable-packing hole.

FIG. 2 is a rear perspective view thereof;

FIG. 3 is a front view thereof;

FIG. 4 is a rear view thereof;

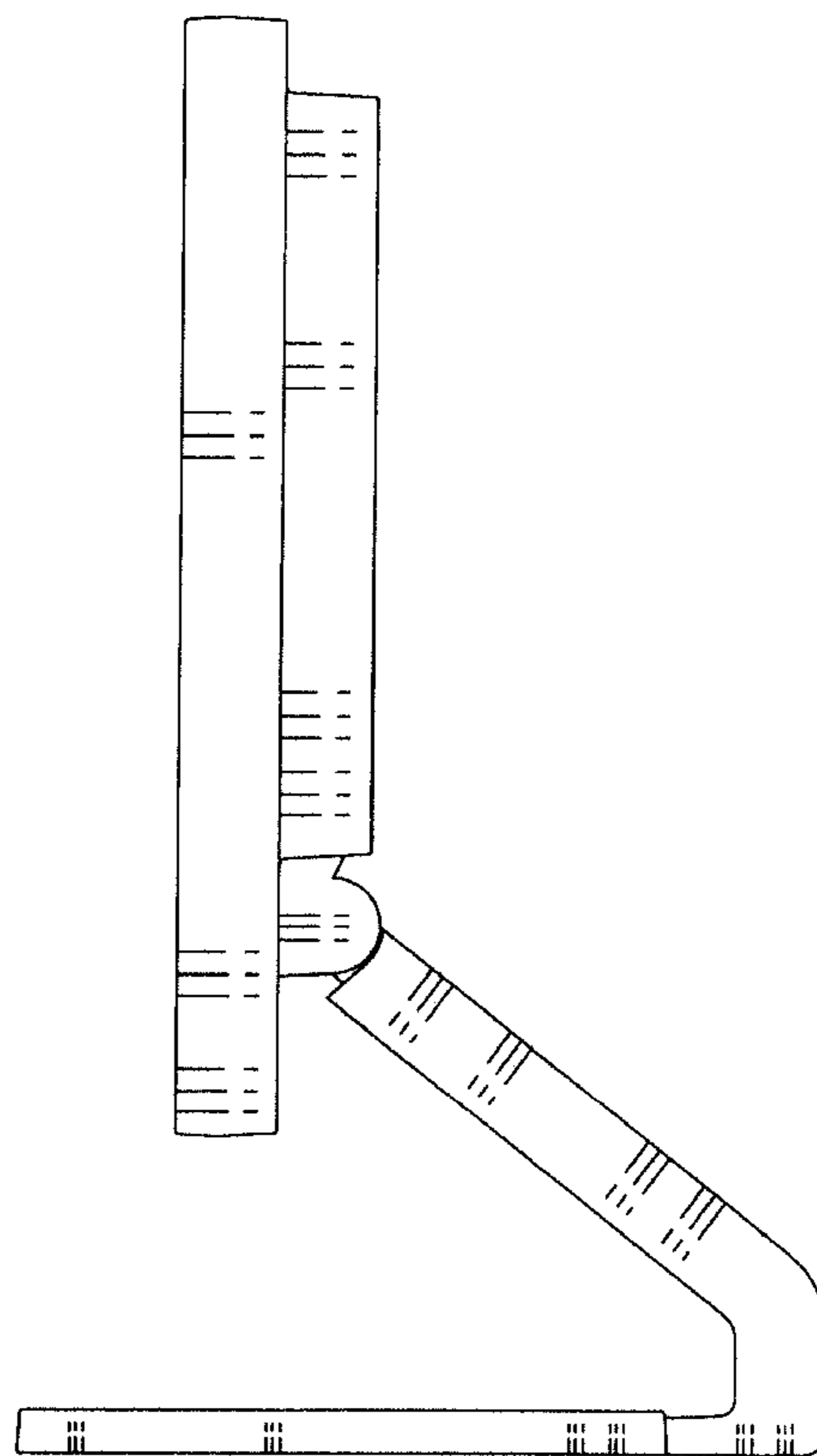
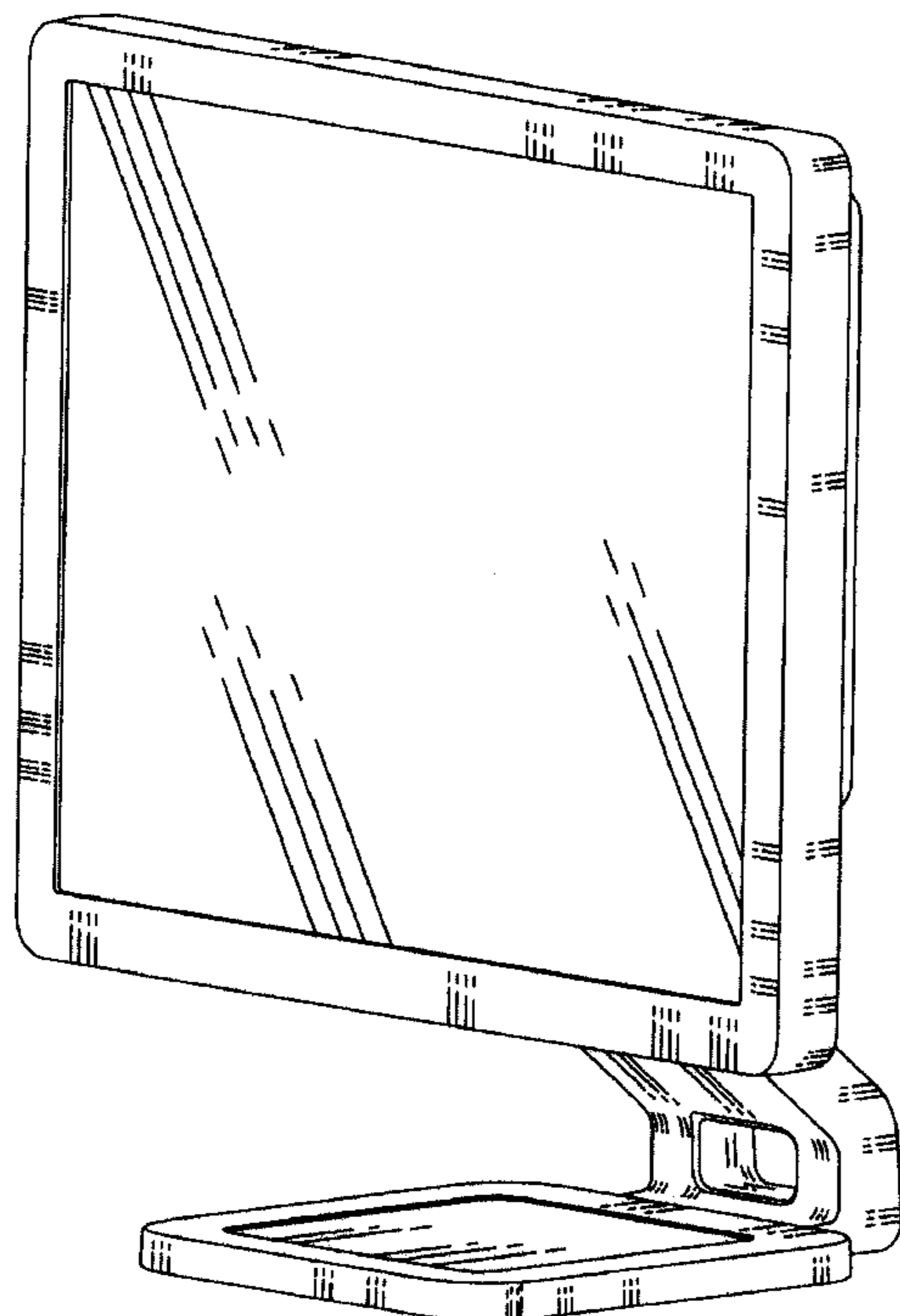
FIG. 5 is a left view thereof;

FIG. 6 is a right view thereof;

FIG. 7 is a top plan view thereof; and,

FIG. 8 is a bottom plan view thereof.

**1 Claim, 8 Drawing Sheets**



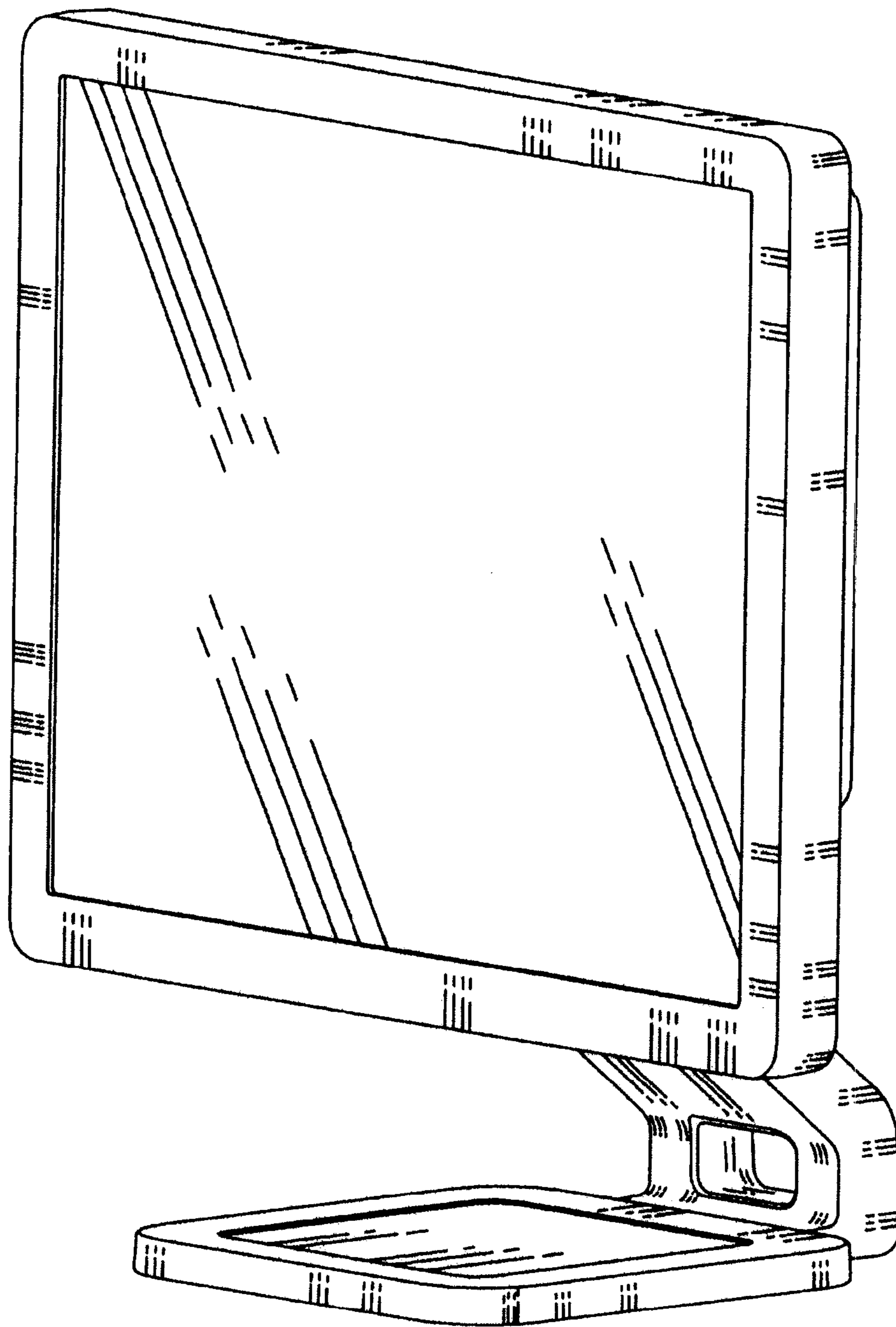


Fig. 1

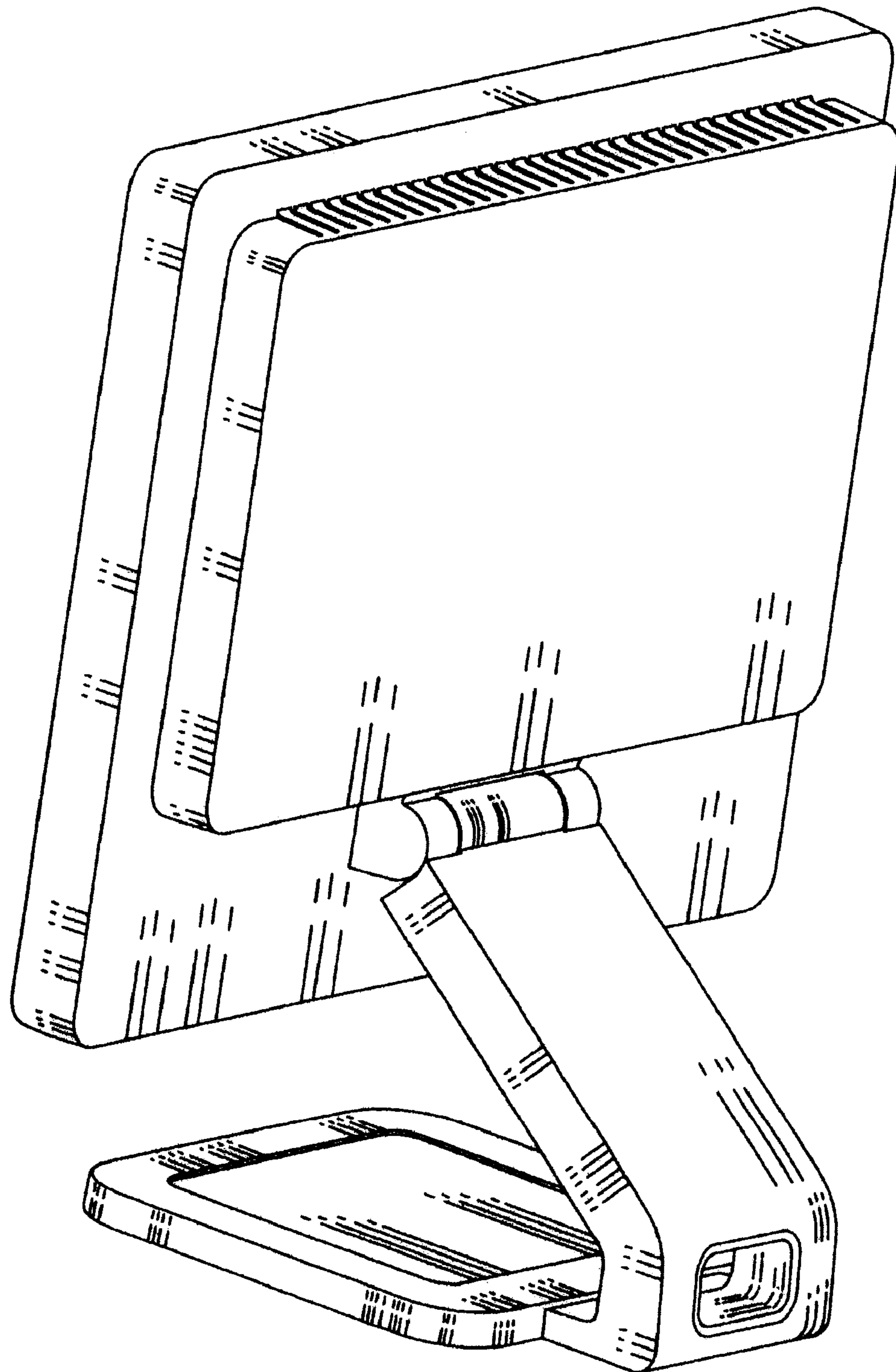


Fig. 2

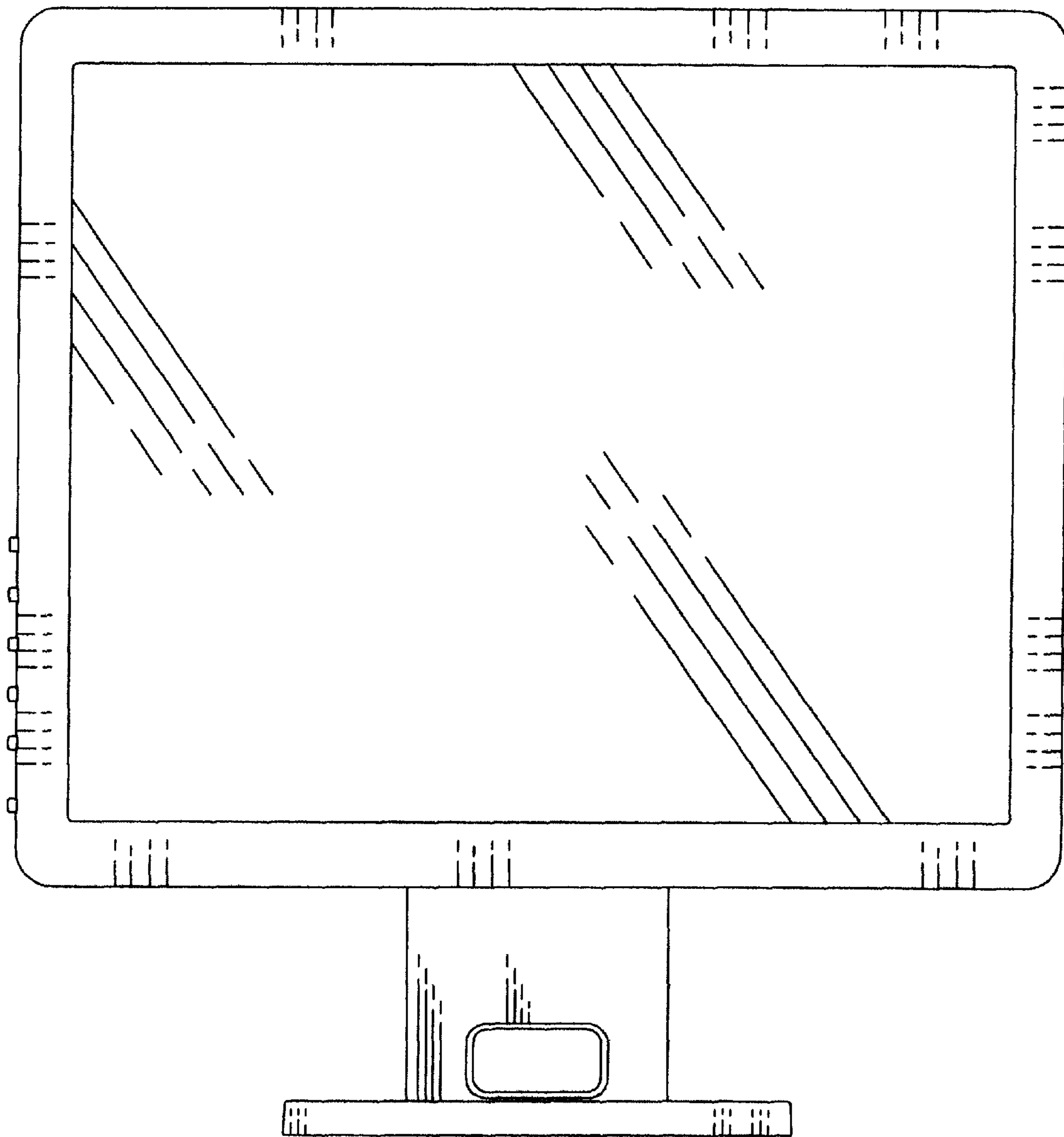


Fig. 3

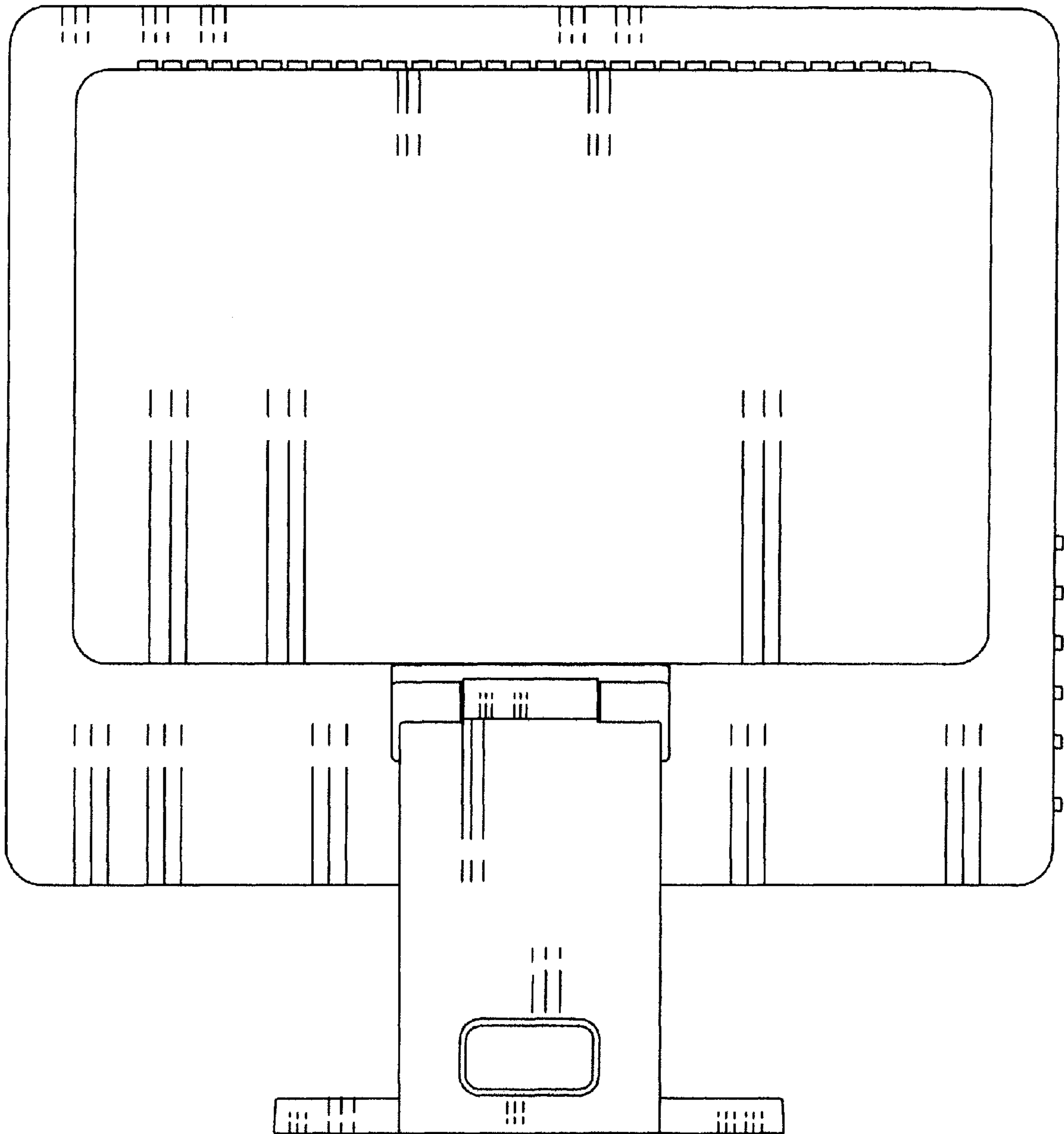


Fig. 4



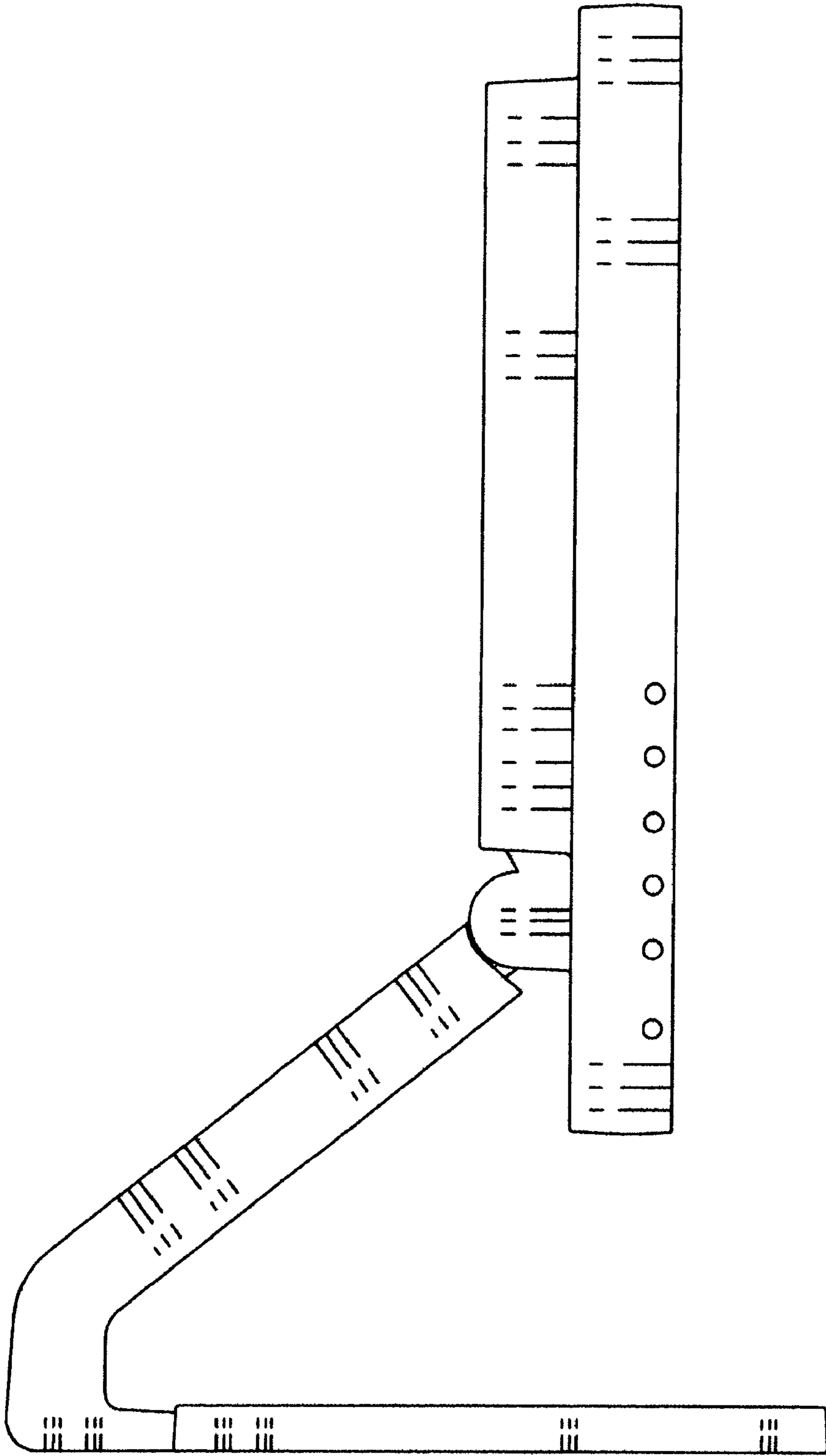


Fig. 5

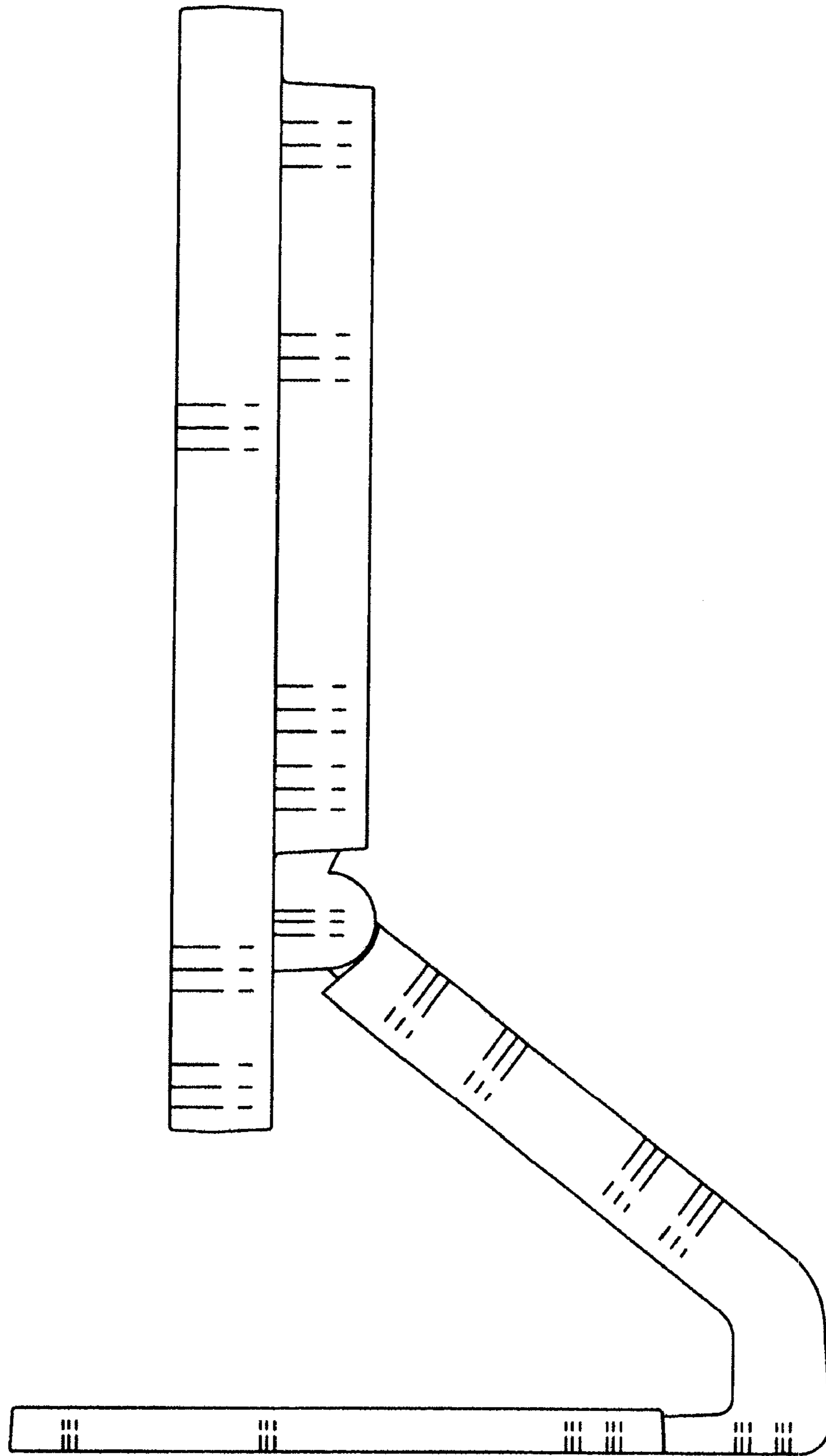


Fig. 6

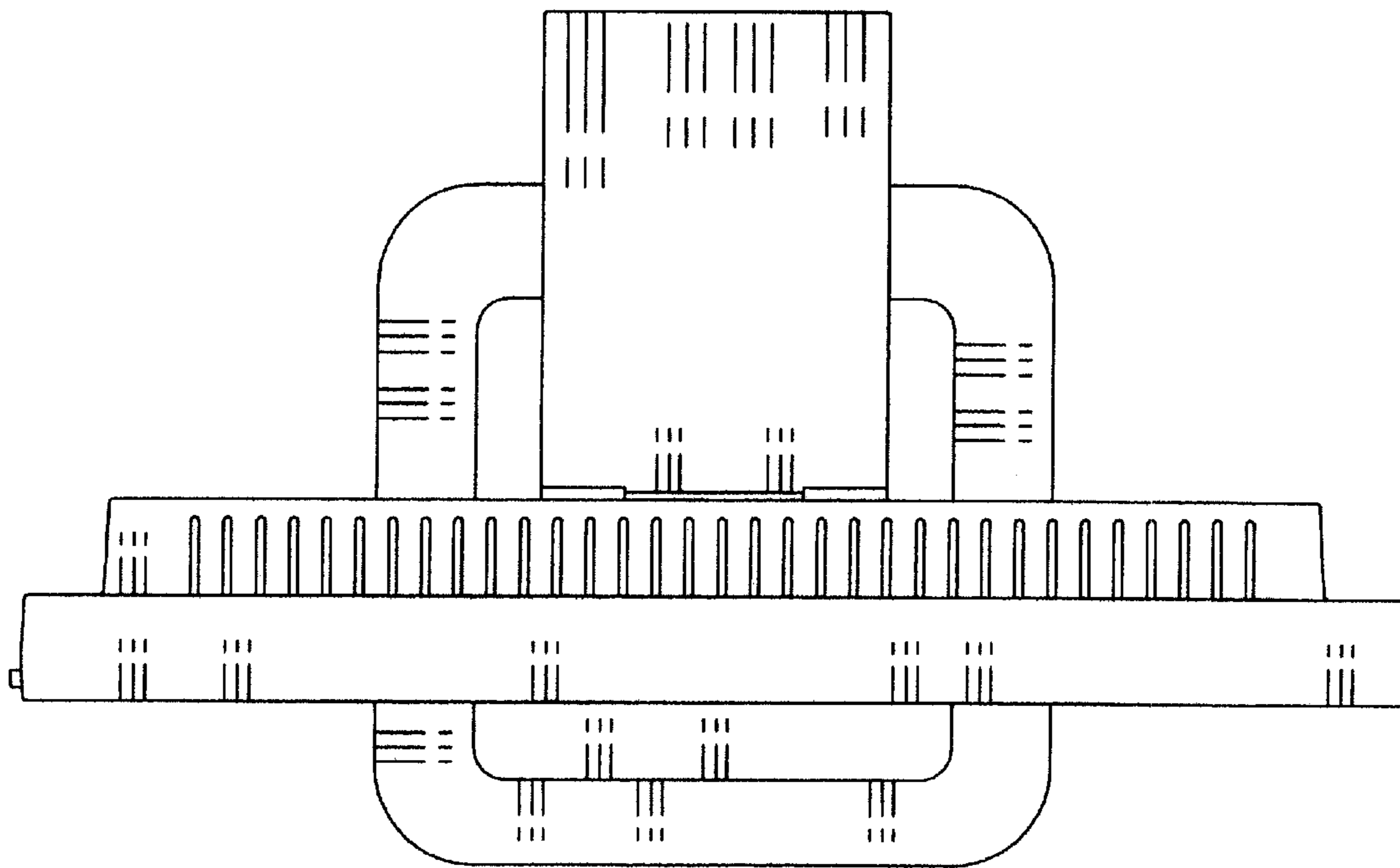


Fig. 7



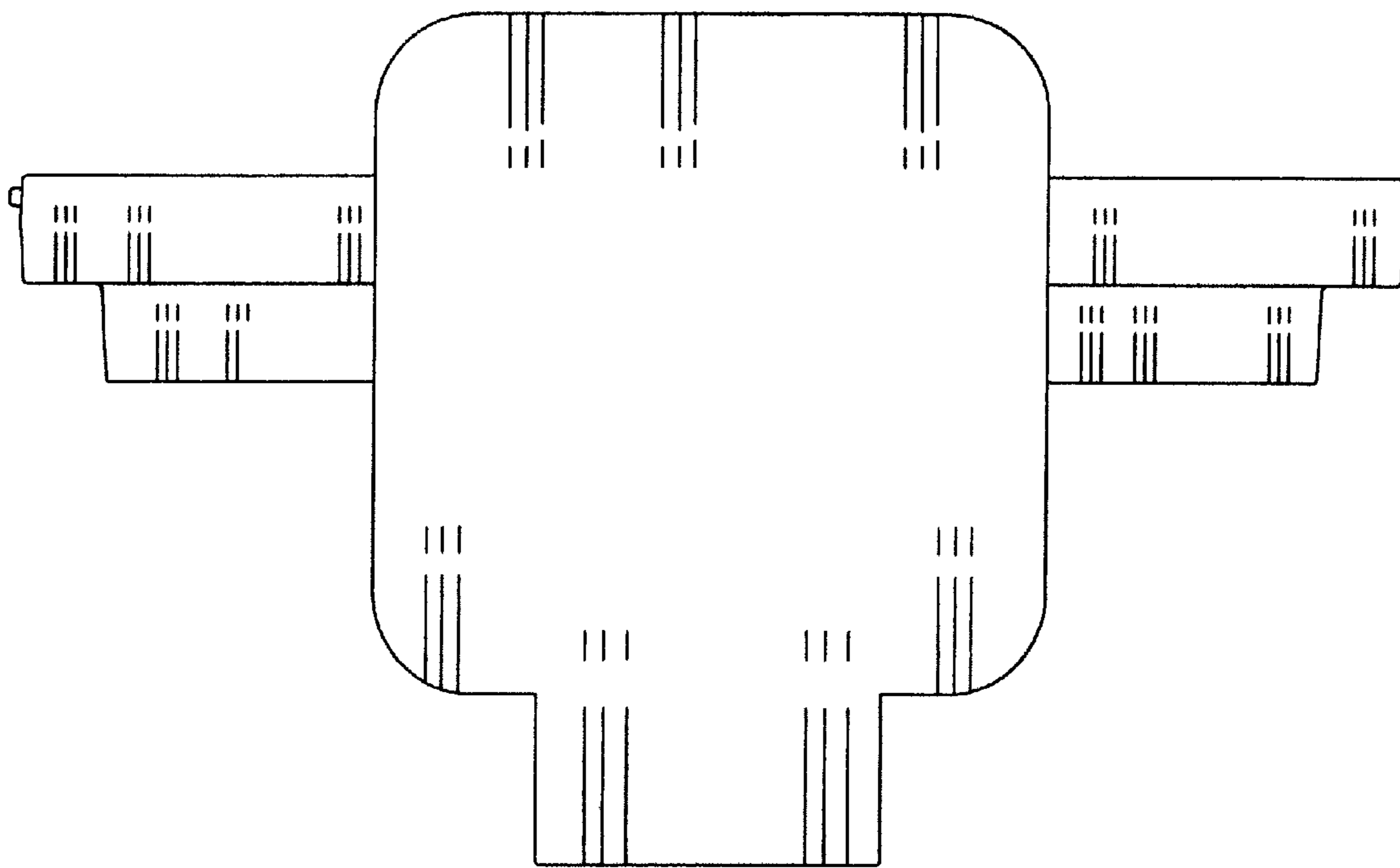


Fig. 8