



US00D541277S

(12) **United States Design Patent**  
**Noda et al.**

(10) **Patent No.:** **US D541,277 S**  
(45) **Date of Patent:** **\*\* Apr. 24, 2007**

(54) **MONITOR FOR A COMPUTER**

(75) Inventors: **Hiroyuki Noda**, Musashino (JP); **Yoko Sato**, Fuchu (JP); **Tadahiro Yamaguchi**, Tama (JP); **Koji Suso**, Kokubunji (JP); **Masao Miyawaki**, Yokohama (JP)

(73) Assignee: **Hitachi, Ltd.**, Tokyo (JP)

(\*\*) Term: **14 Years**

(21) Appl. No.: **29/245,394**

(22) Filed: **Dec. 23, 2005**

(30) **Foreign Application Priority Data**

Jun. 27, 2005 (JP) ..... 2005-018553

(51) **LOC (8) Cl.** ..... **14-02**

(52) **U.S. Cl.** ..... **D14/375**

(58) **Field of Classification Search** ..... D14/371-375,  
D14/125-129; 345/104, 156, 168, 173, 901-905;  
248/917-924, 371; 348/180, 184, 325, 739;  
349/1, 2, 11, 62; 341/12; 361/680-686  
See application file for complete search history.

(56) **References Cited**

**U.S. PATENT DOCUMENTS**

D394,248 S \* 5/1998 Duan ..... D14/375  
D431,566 S \* 10/2000 Chuo et al. .... D14/375  
D464,049 S \* 10/2002 Goto ..... D14/374  
D475,687 S \* 6/2003 Goto ..... D14/126

D476,332 S \* 6/2003 Lin ..... D14/374  
D476,335 S \* 6/2003 Miao et al. .... D14/375  
D499,097 S \* 11/2004 Tsuji et al. .... D14/375  
D499,730 S \* 12/2004 Yamashiro ..... D14/375  
D508,470 S \* 8/2005 Inoue et al. .... D14/126  
D512,423 S \* 12/2005 Tanimura et al. .... D14/371  
2003/0189155 A1 \* 10/2003 Serbinski et al. .... 248/371

\* cited by examiner

*Primary Examiner*—Freda S. Nunn

(74) *Attorney, Agent, or Firm*—Antonelli, Terry, Stout & Kraus, LLP.

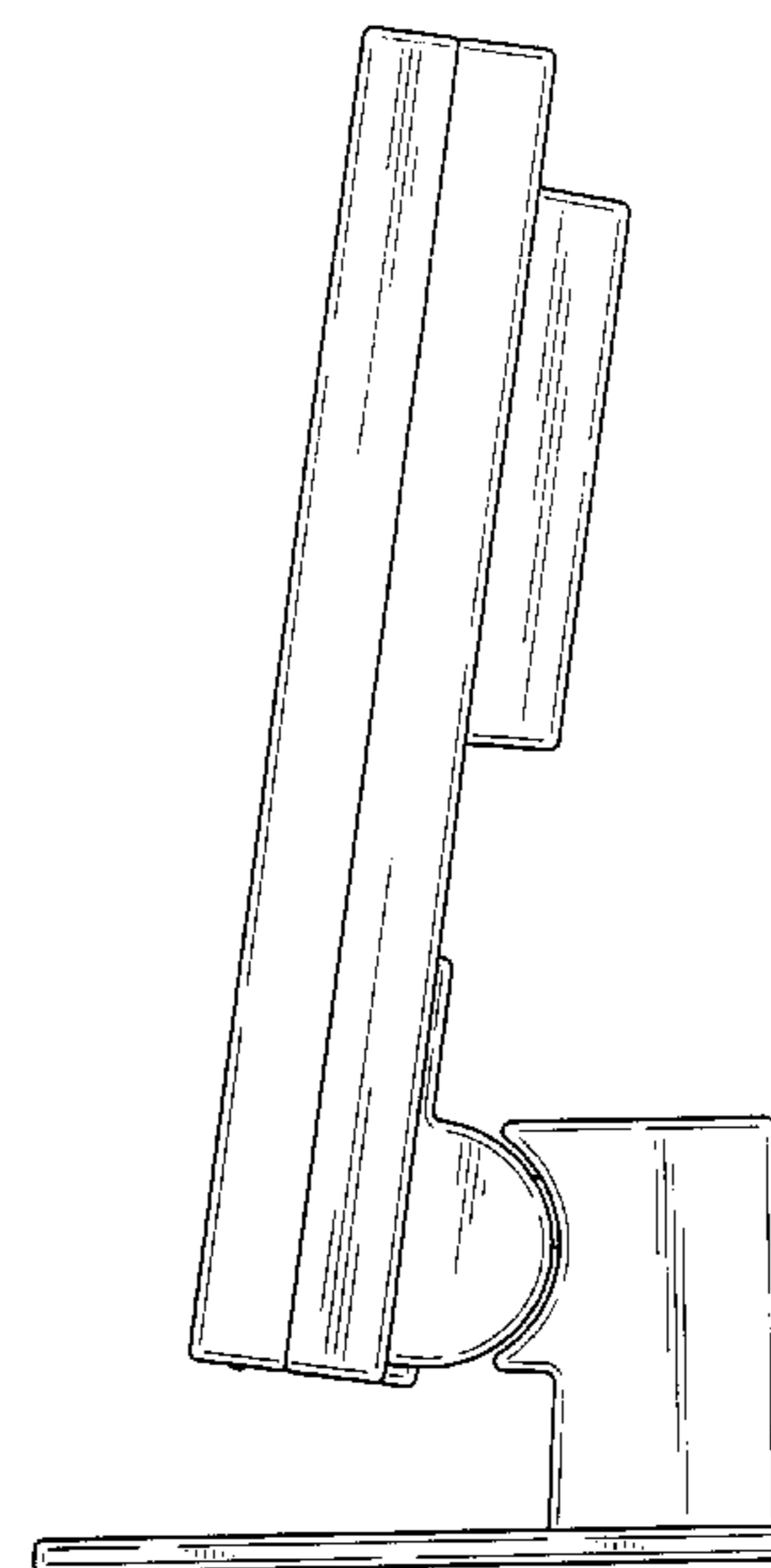
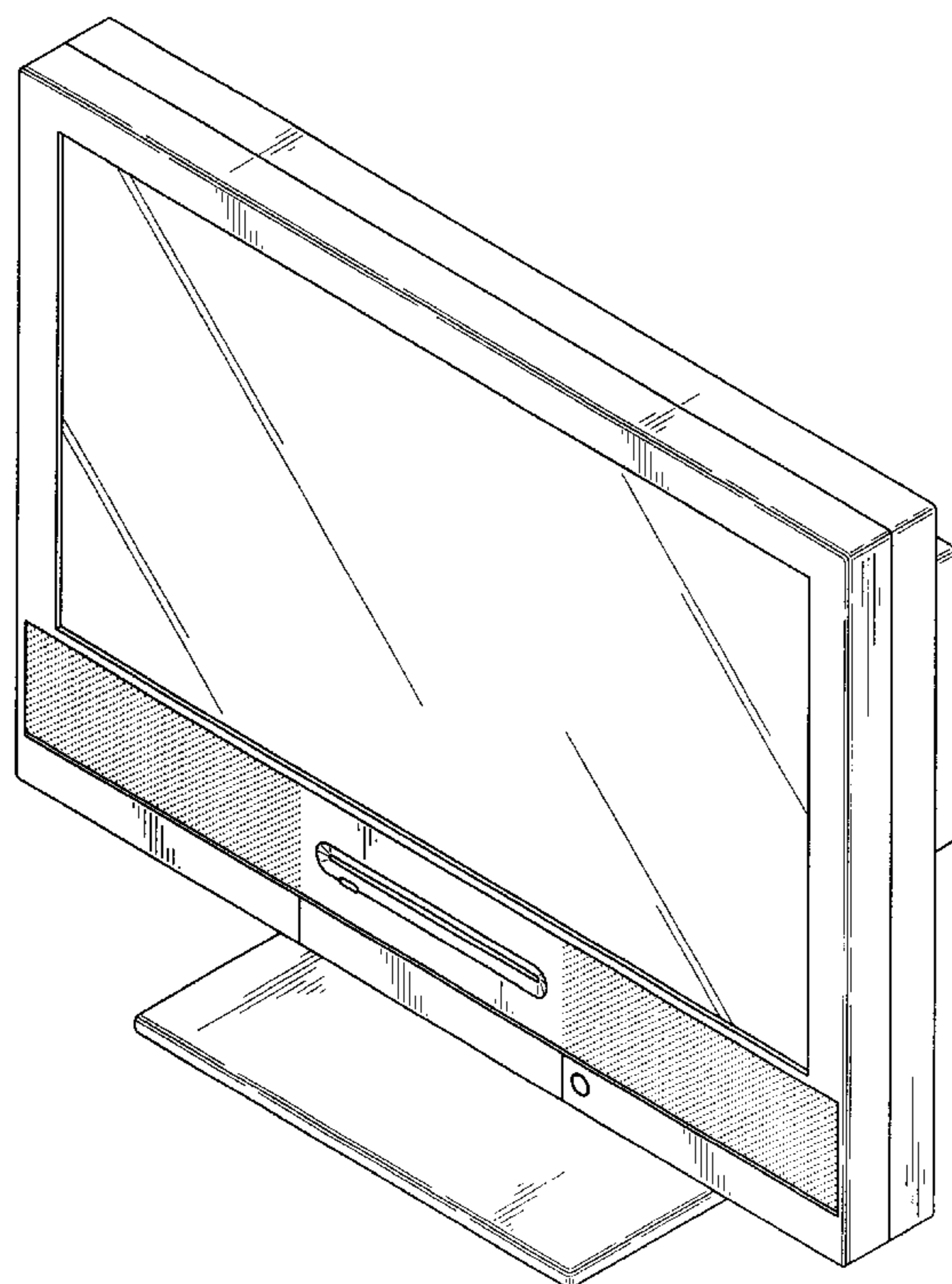
(57) **CLAIM**

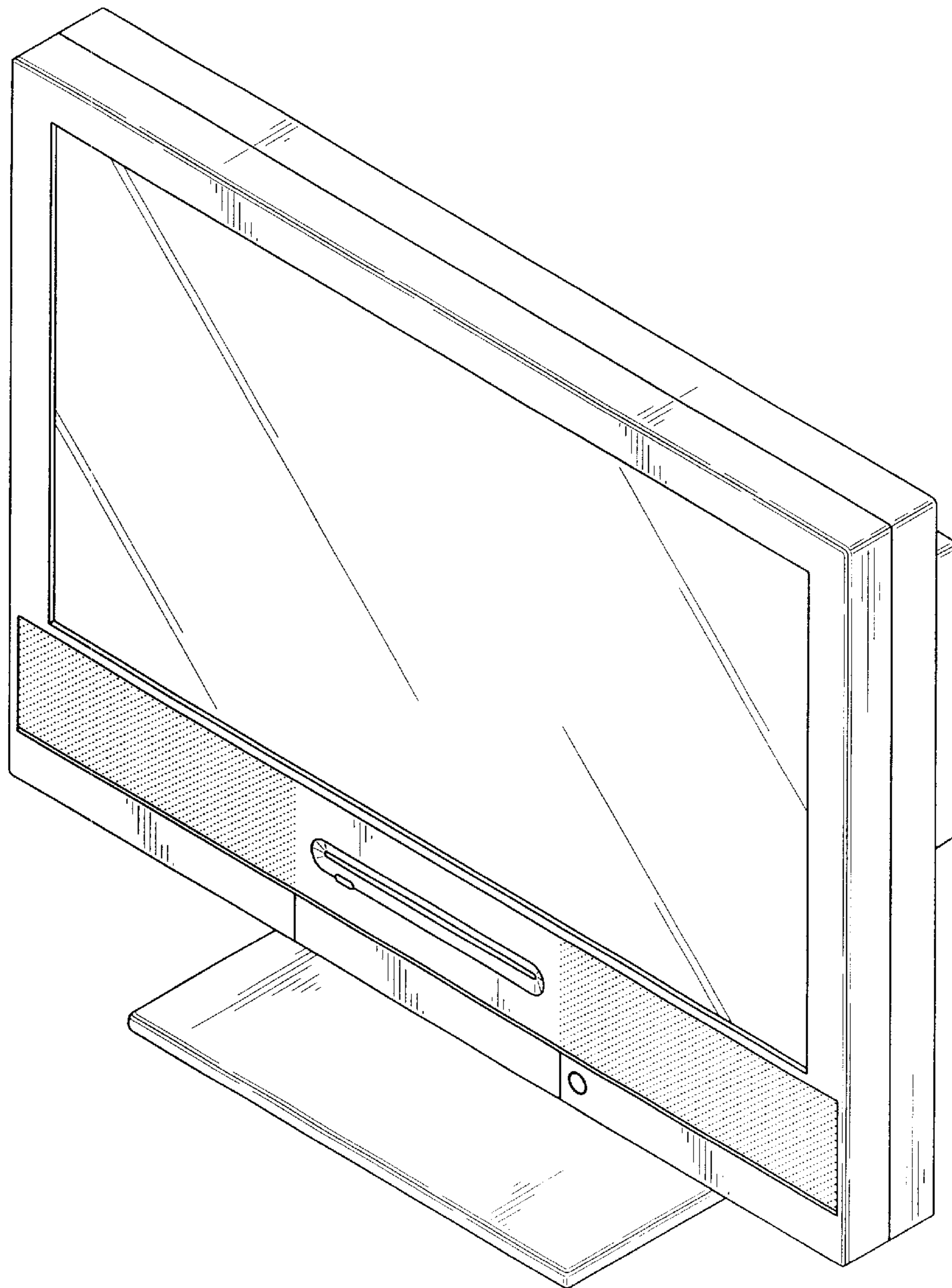
We claim the ornamental design for monitor for a computer, as shown and described.

**DESCRIPTION**

FIG. 1 is a front, top and right side perspective view of a monitor for a computer showing our new design;  
FIG. 2 is a front elevational view thereof;  
FIG. 3 is a right side elevational view thereof;  
FIG. 4 is a rear elevational view thereof;  
FIG. 5 is a left side elevational view thereof;  
FIG. 6 is a top plan view thereof;  
FIG. 7 is a bottom plan view thereof;  
FIG. 8 is a front elevational view thereof showing the cover in the open condition; and,  
FIG. 9 is a right side elevational view thereof shown in an alternate position.

**1 Claim, 5 Drawing Sheets**





*FIG. 1*

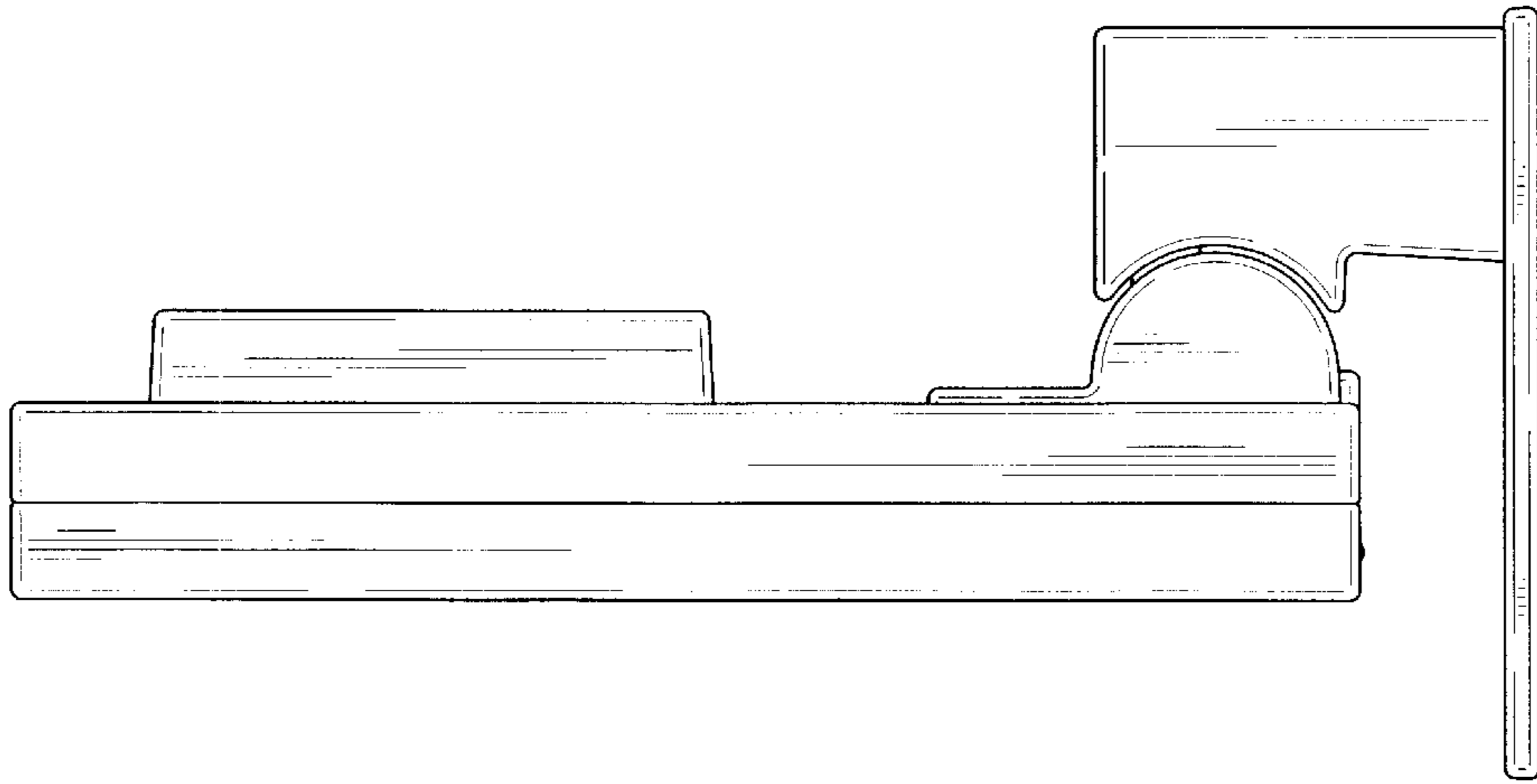


FIG. 3

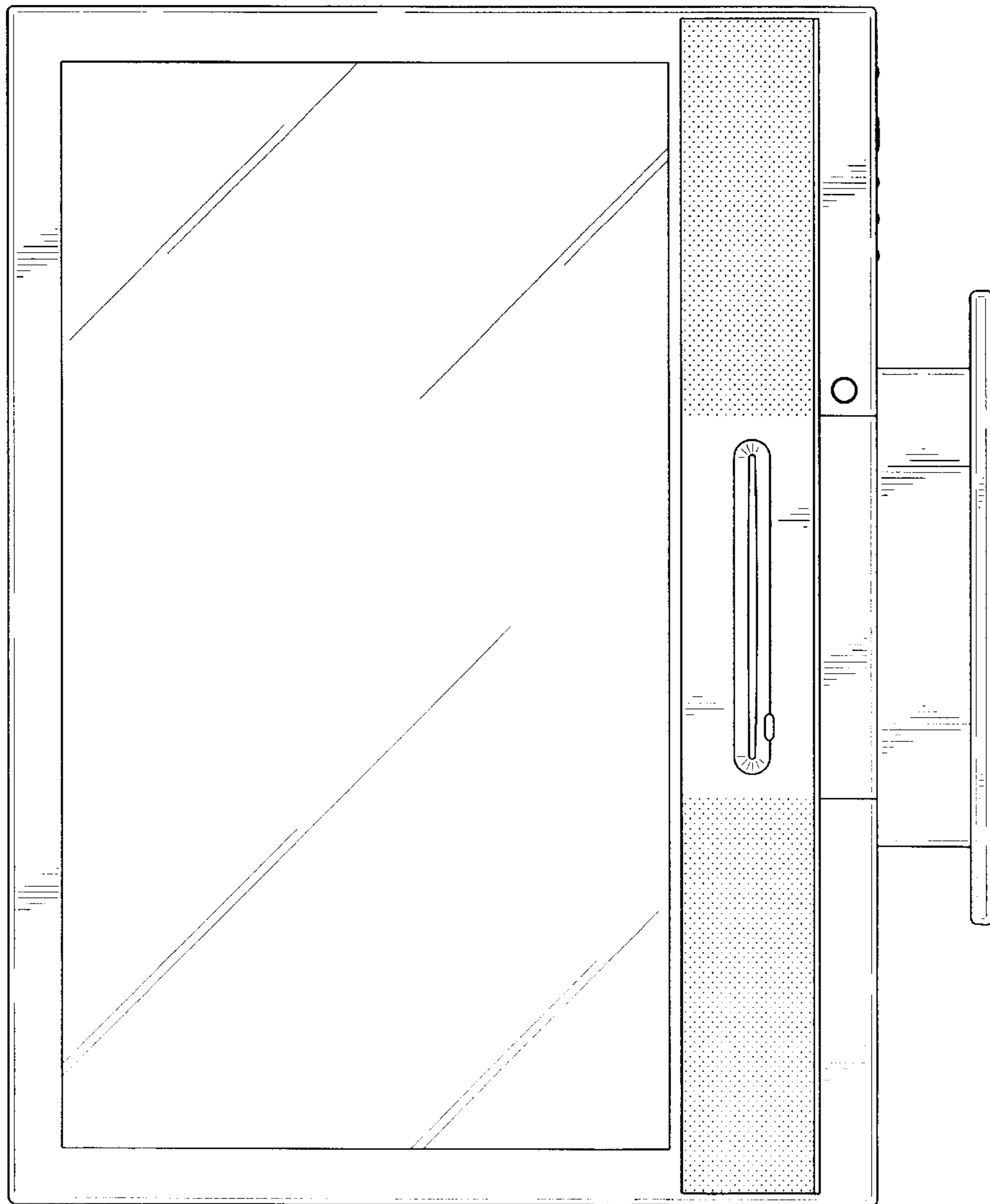


FIG. 2

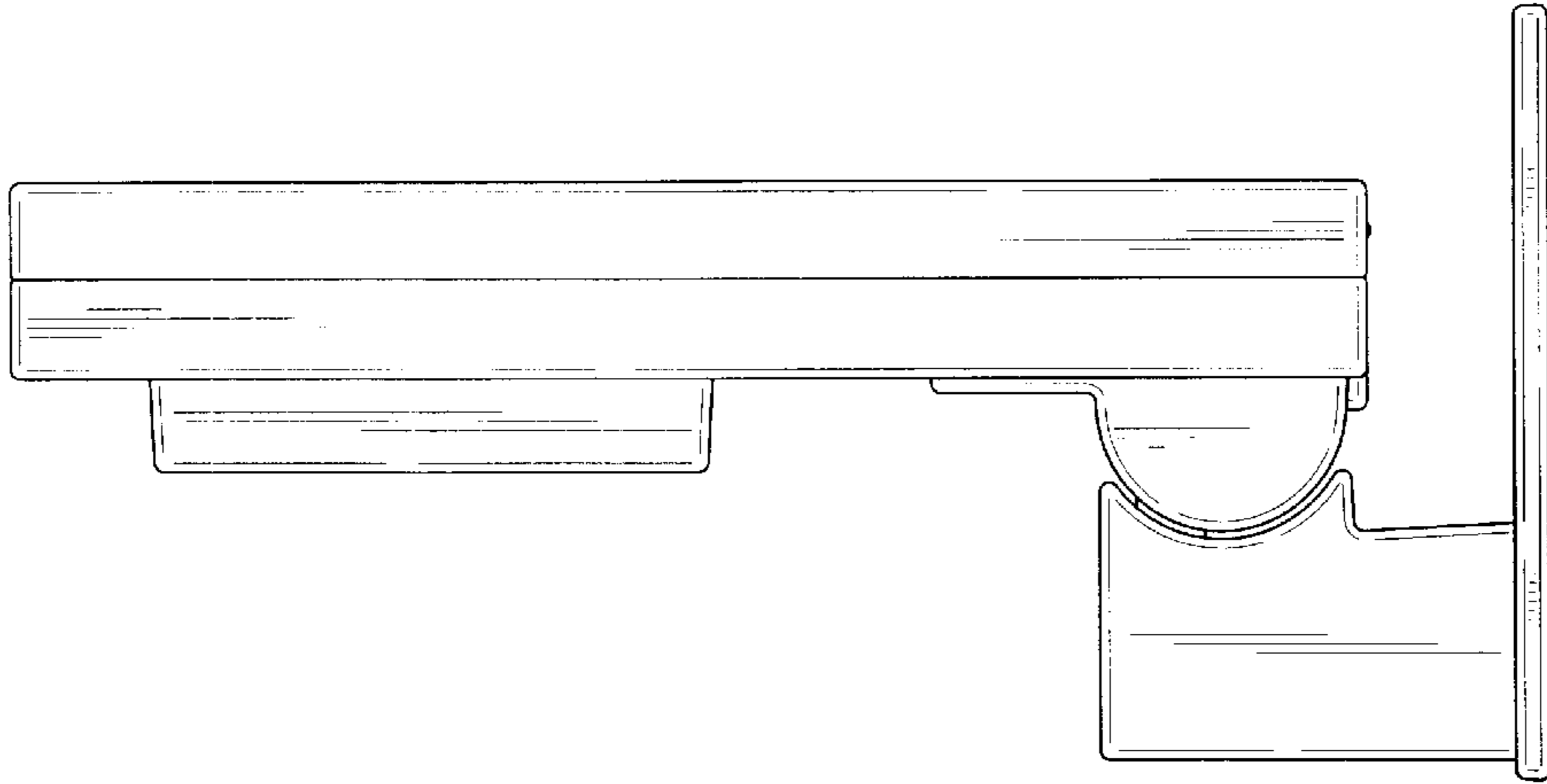


FIG. 5

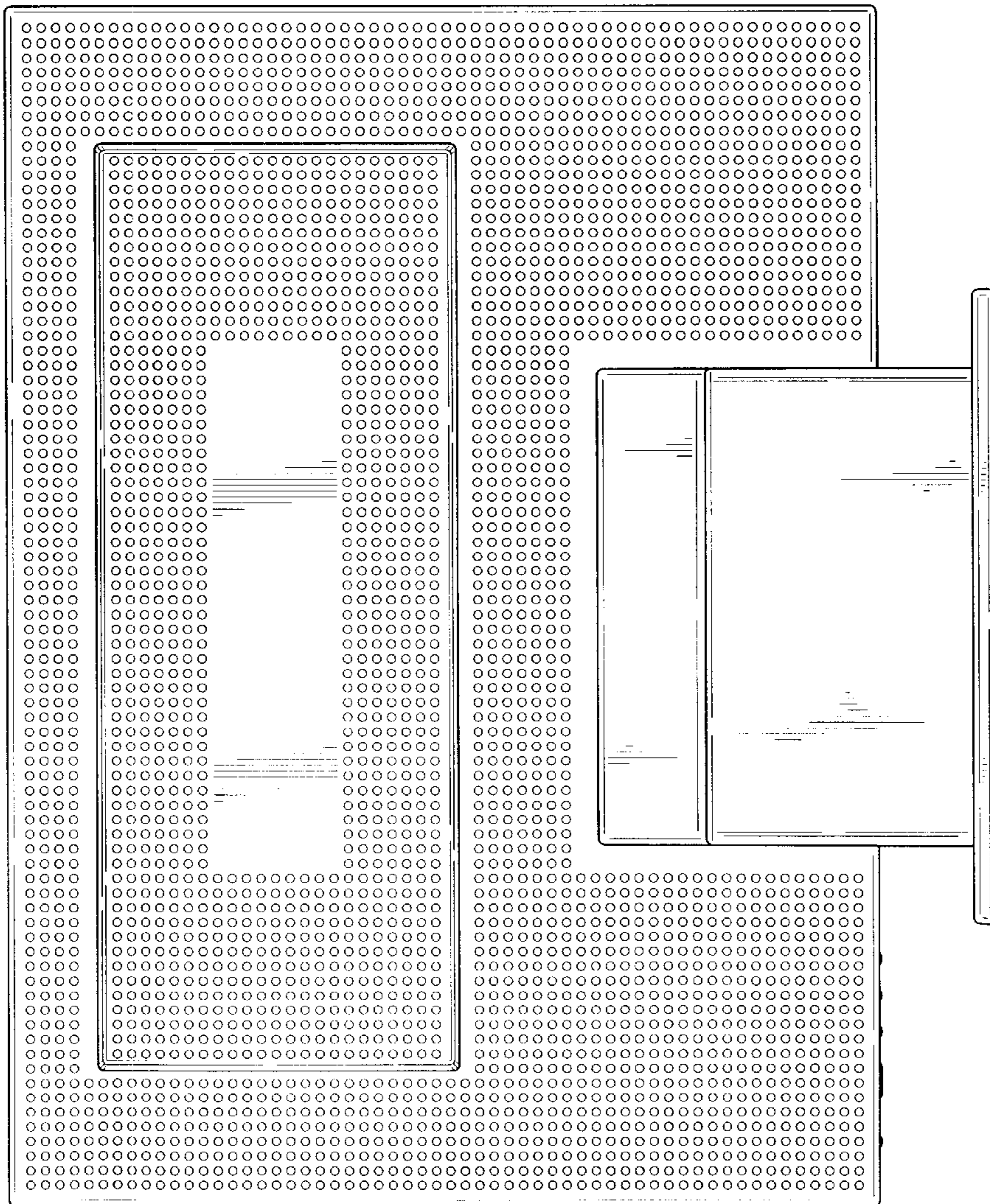


FIG. 4

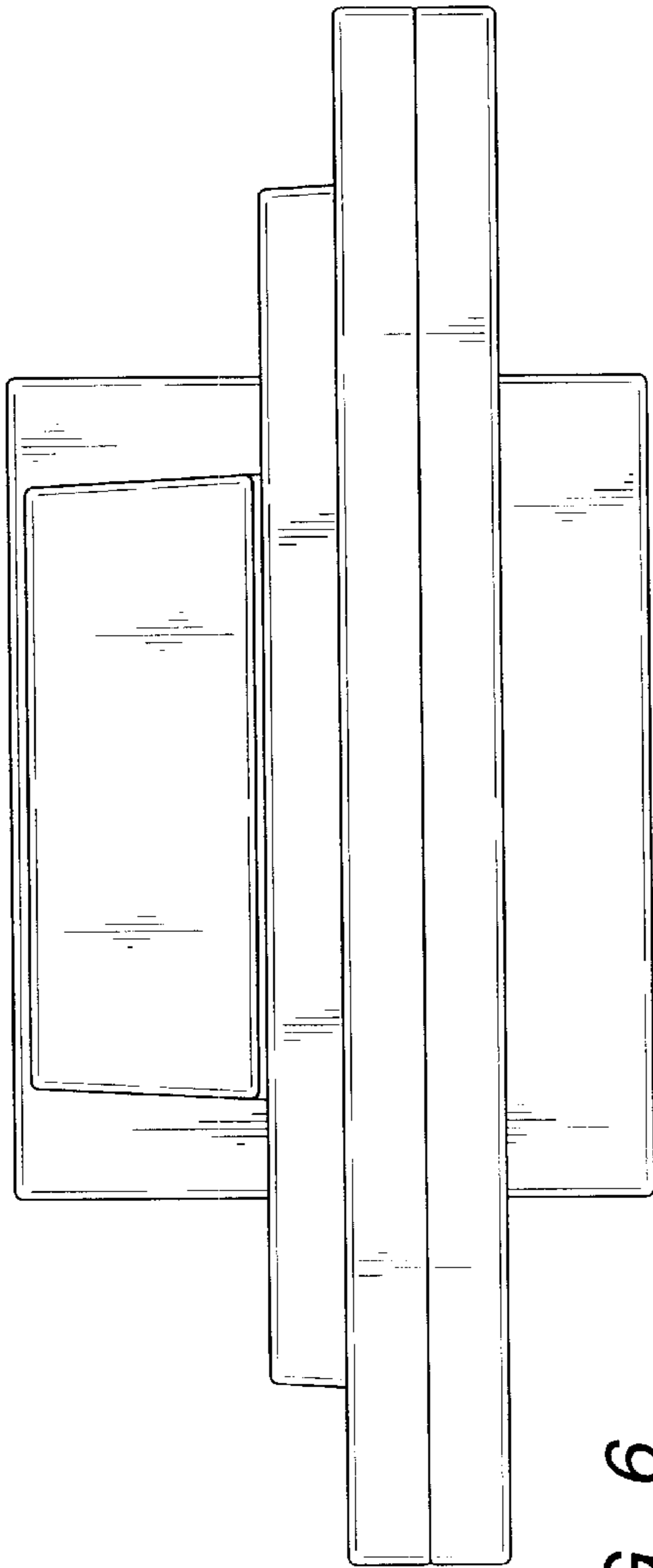


FIG. 6

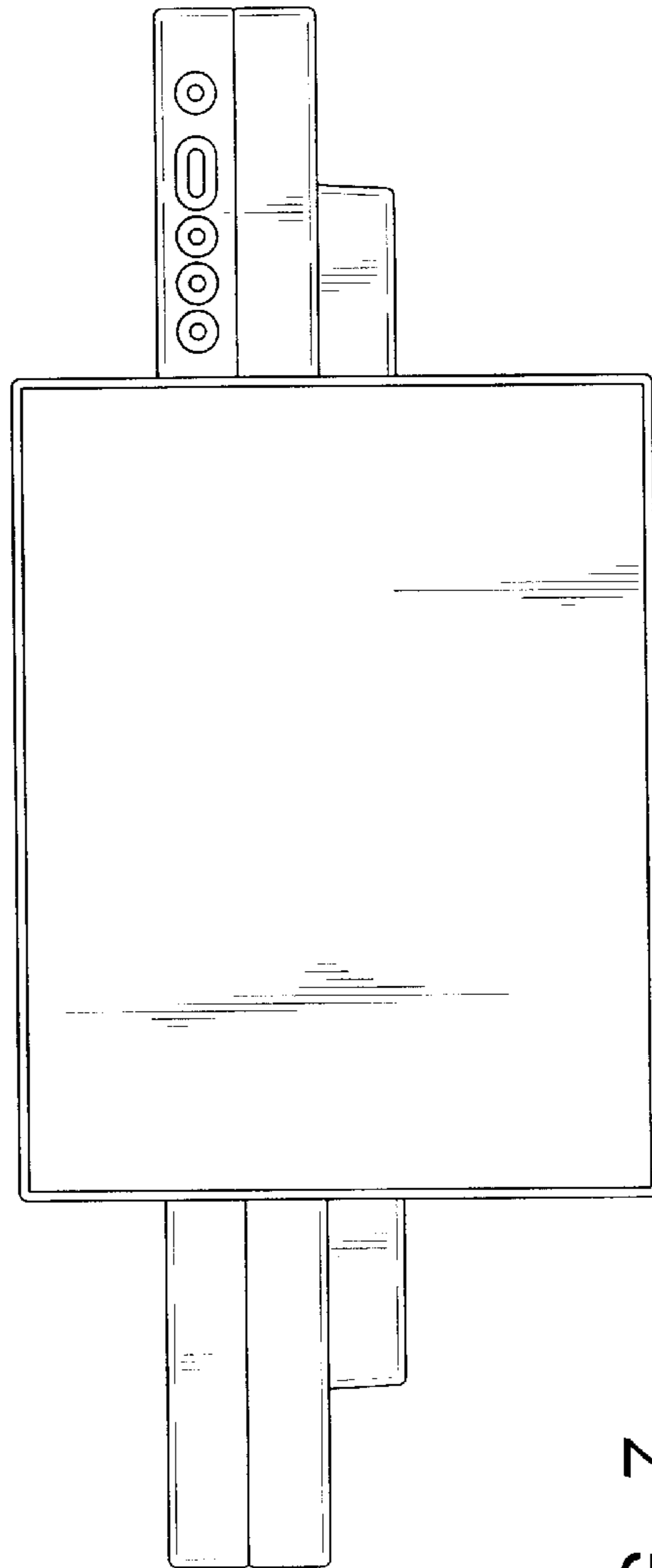


FIG. 7

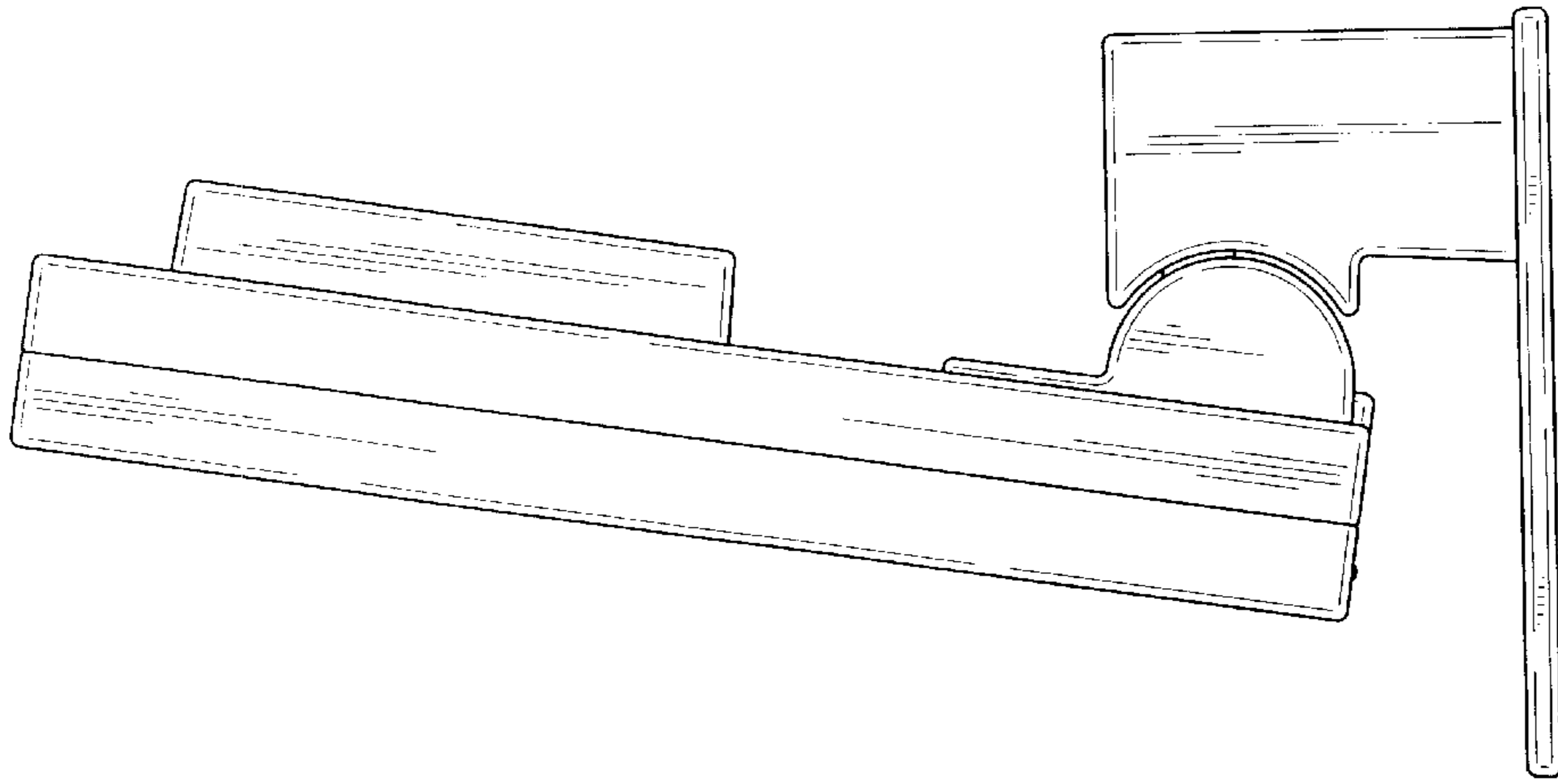


FIG. 9

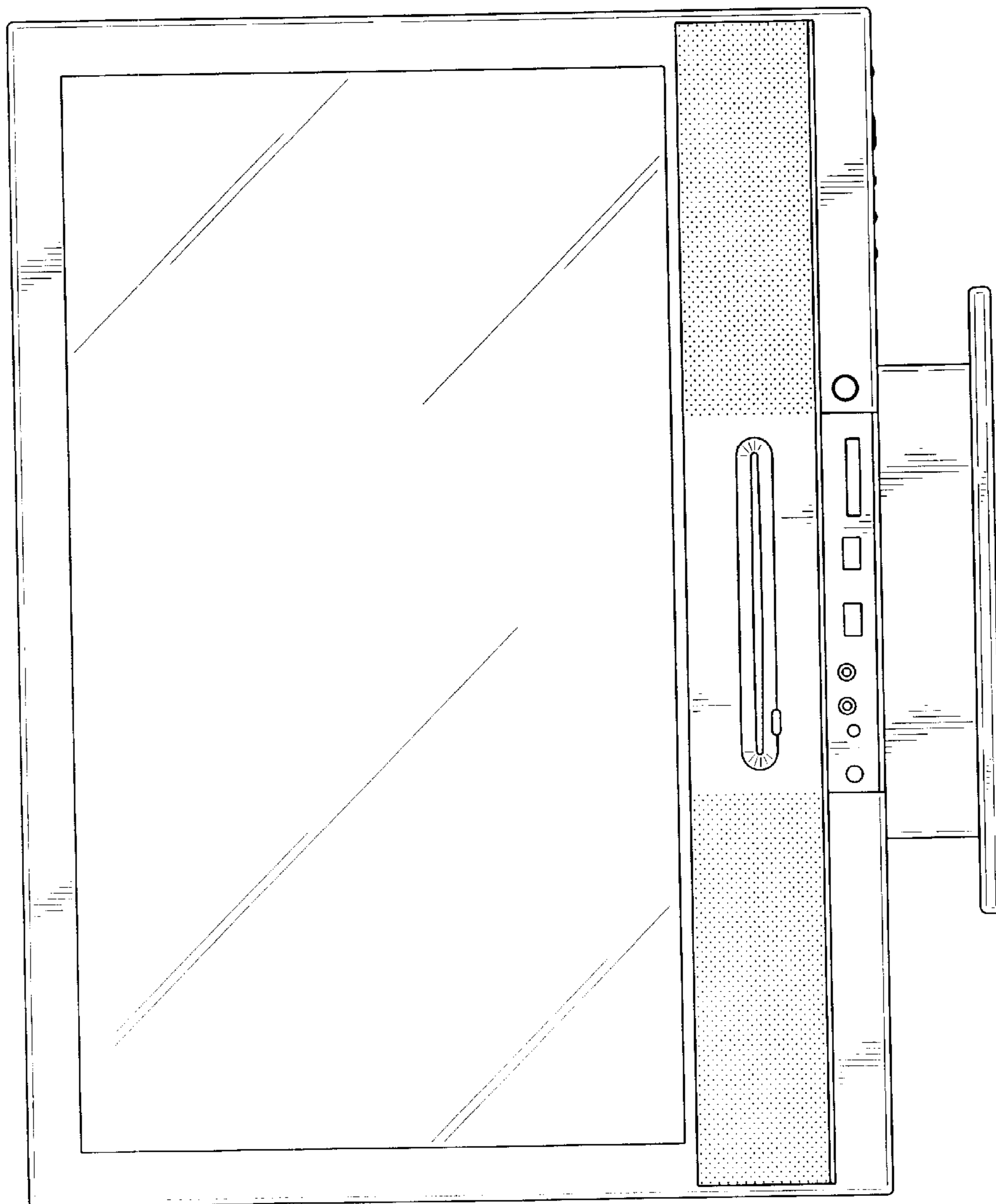


FIG. 8