

US00D541274S

(12) **United States Design Patent**
Wang

(10) **Patent No.:** **US D541,274 S**

(45) **Date of Patent:** **** Apr. 24, 2007**

(54) **CASE FOR EXTERNAL DATA STORAGE MEDIA**

(75) Inventor: **Chia-Jen Wang**, Taipei Hsien (TW)

(73) Assignee: **Datastor Technology, Co., Ltd.**, Taipei Hsien (TW)

(**) Term: **14 Years**

(21) Appl. No.: **29/255,452**

(22) Filed: **Mar. 7, 2006**

(30) **Foreign Application Priority Data**

Sep. 19, 2005 (TW) 94305590

(51) **LOC (8) Cl.** **14-02**

(52) **U.S. Cl.** **D14/356**

(58) **Field of Classification Search** D14/242,
D14/496, 125, 240, 135-6, 167, 300-2, 314,
D14/341, 356-8, 362-70, 383, 385, 348,
D14/353, 156; D13/103; 220/4.02; 361/679,
361/683-6; 379/413.04

See application file for complete search history.

(56) **References Cited**

U.S. PATENT DOCUMENTS

- D470,848 S * 2/2003 Morooka D14/433
- D471,882 S * 3/2003 Lan D14/125
- D476,977 S * 7/2003 Gao et al. D14/240
- D484,129 S * 12/2003 Hyogo D14/356
- 6,669,513 B2 * 12/2003 Huang 439/638
- D490,415 S * 5/2004 Whitehorn et al. D14/302
- D513,414 S * 1/2006 Nagao et al. D14/496
- D513,617 S * 1/2006 Tierney D14/496

- D514,563 S * 2/2006 Kuramashi et al. D14/358
- D522,531 S * 6/2006 Solomon et al. D14/496
- D525,968 S * 8/2006 Peng et al. D14/300
- D531,142 S * 10/2006 Yang et al. D14/125
- 7,120,014 B2 * 10/2006 Yang 361/685

OTHER PUBLICATIONS

Internet: http://datastor.manufacturer.globalsources.com/si/6008800307...Compact-Case-for/product_id-1002430427/action-GetProduct.htm, Nov. 14, 2006.*
http://datastor.manufacturer.globalsources.com/si/6008800307...Compact-Case-for/product_id-1002430429/action-GetProduct.htm, Nov. 14, 2006.*

* cited by examiner

Primary Examiner—Robin Webster

Assistant Examiner—Karen E. Patterson

(74) *Attorney, Agent, or Firm*—Ladas & Parry LLP

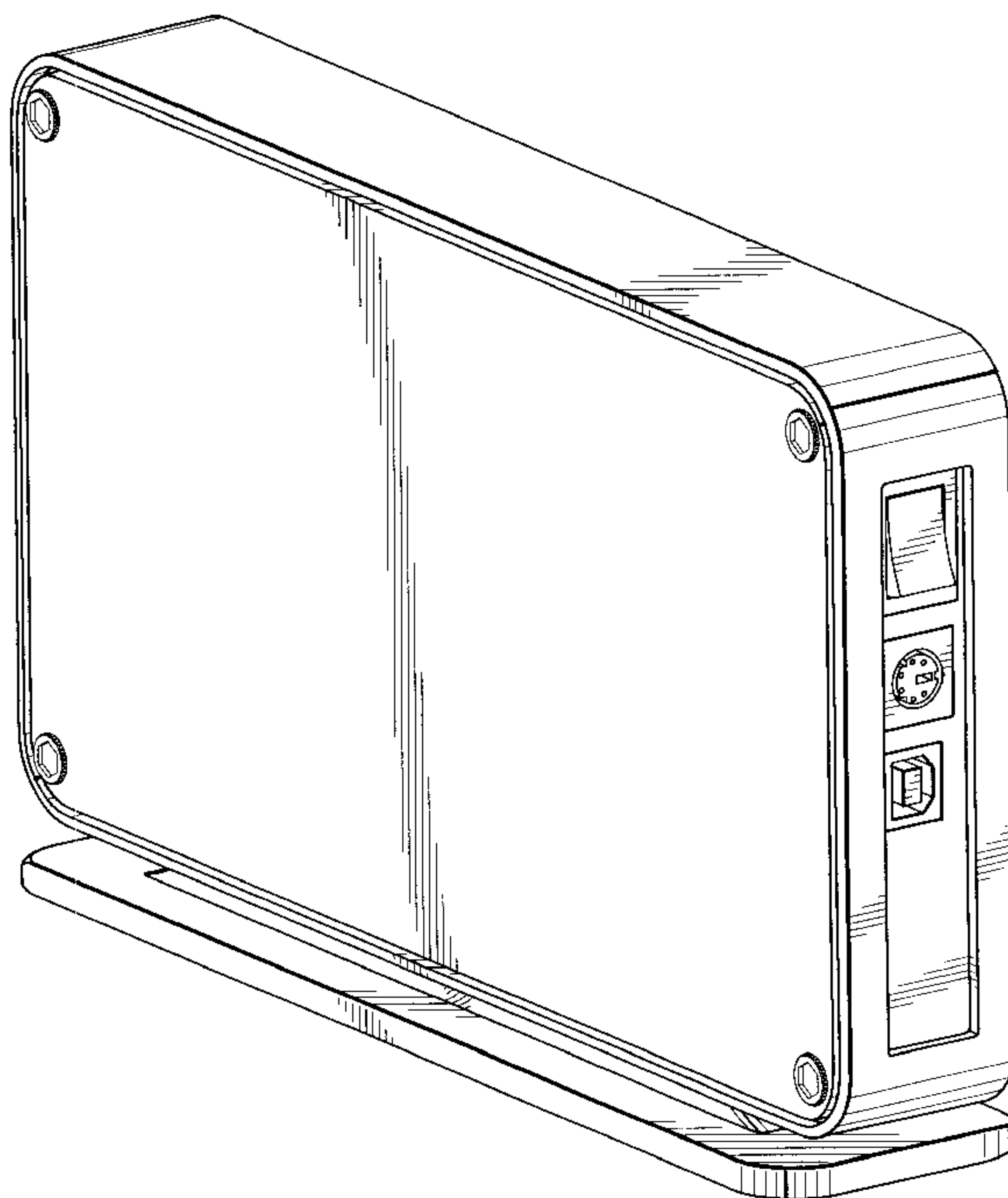
(57) **CLAIM**

The ornamental design for case for external data storage media, as shown and described.

DESCRIPTION

FIG. 1 is a perspective view of a case for external data storage media showing my new design; FIG. 2 is a front elevational view thereof; FIG. 3 is a rear elevational view thereof; FIG. 4 is a left side elevational view thereof; FIG. 5 is a right side elevational view thereof; FIG. 6 is a top plan view thereof; and, FIG. 7 is a bottom plan view thereof.

1 Claim, 4 Drawing Sheets



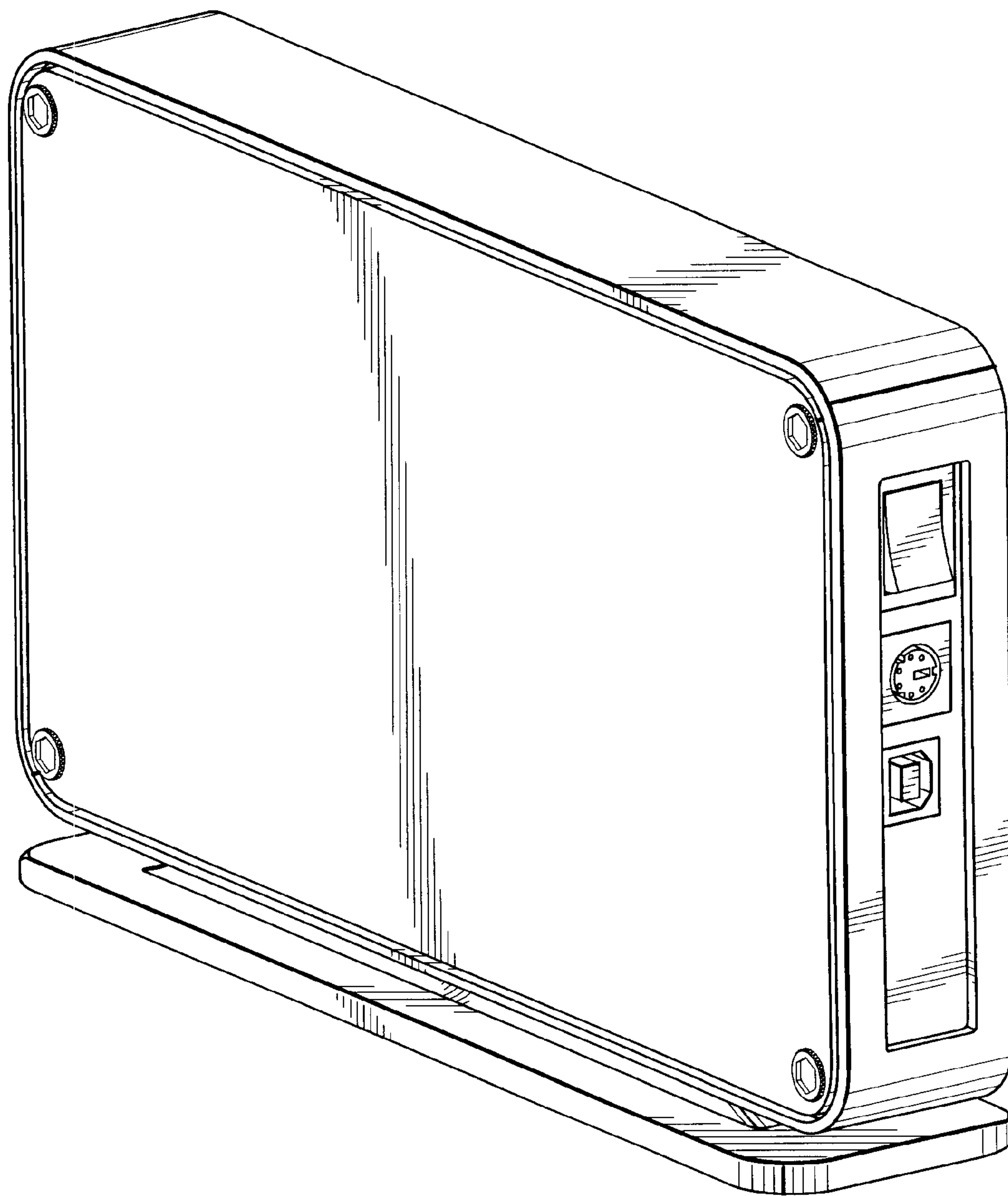


FIG. 1

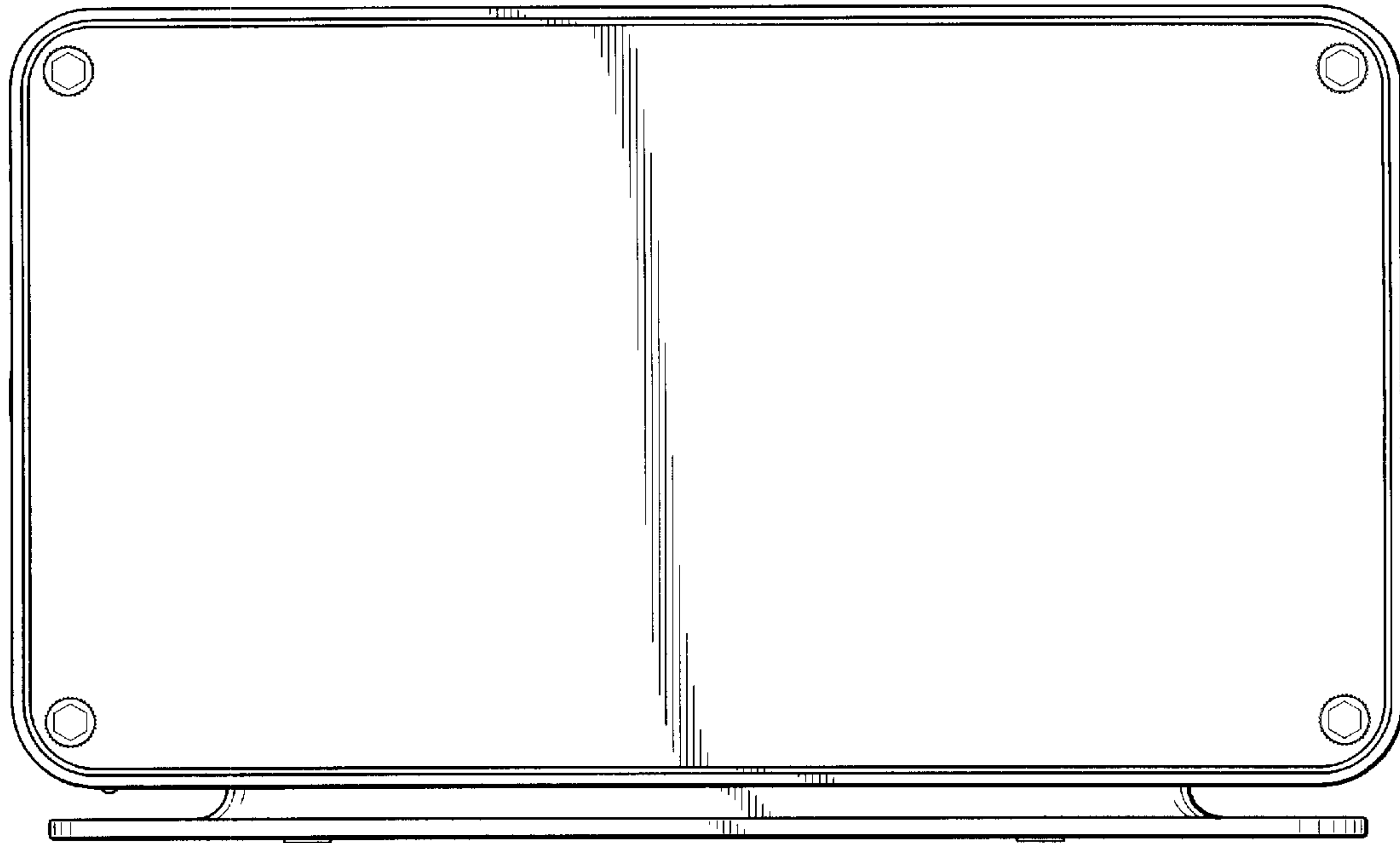


FIG. 2

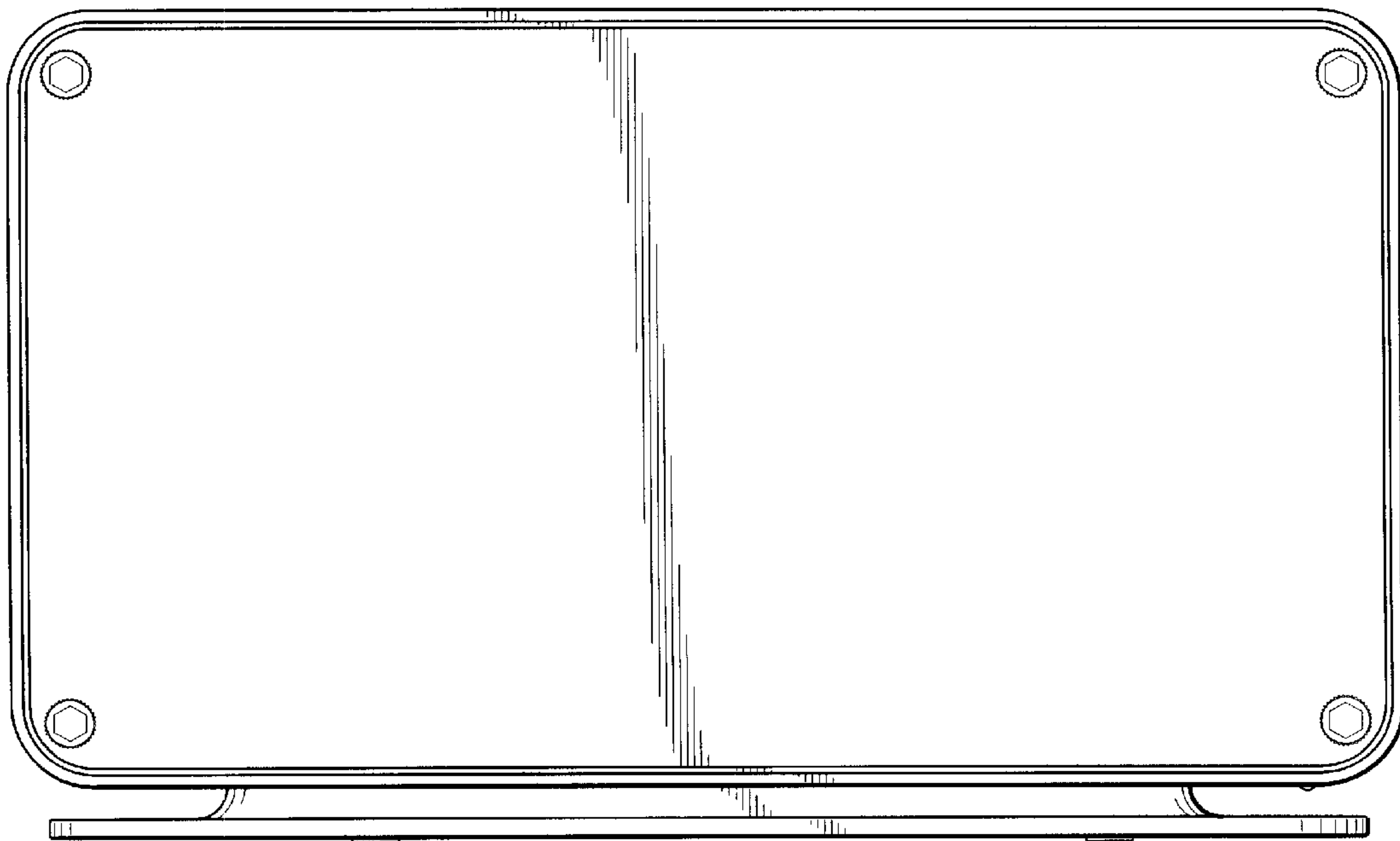


FIG. 3

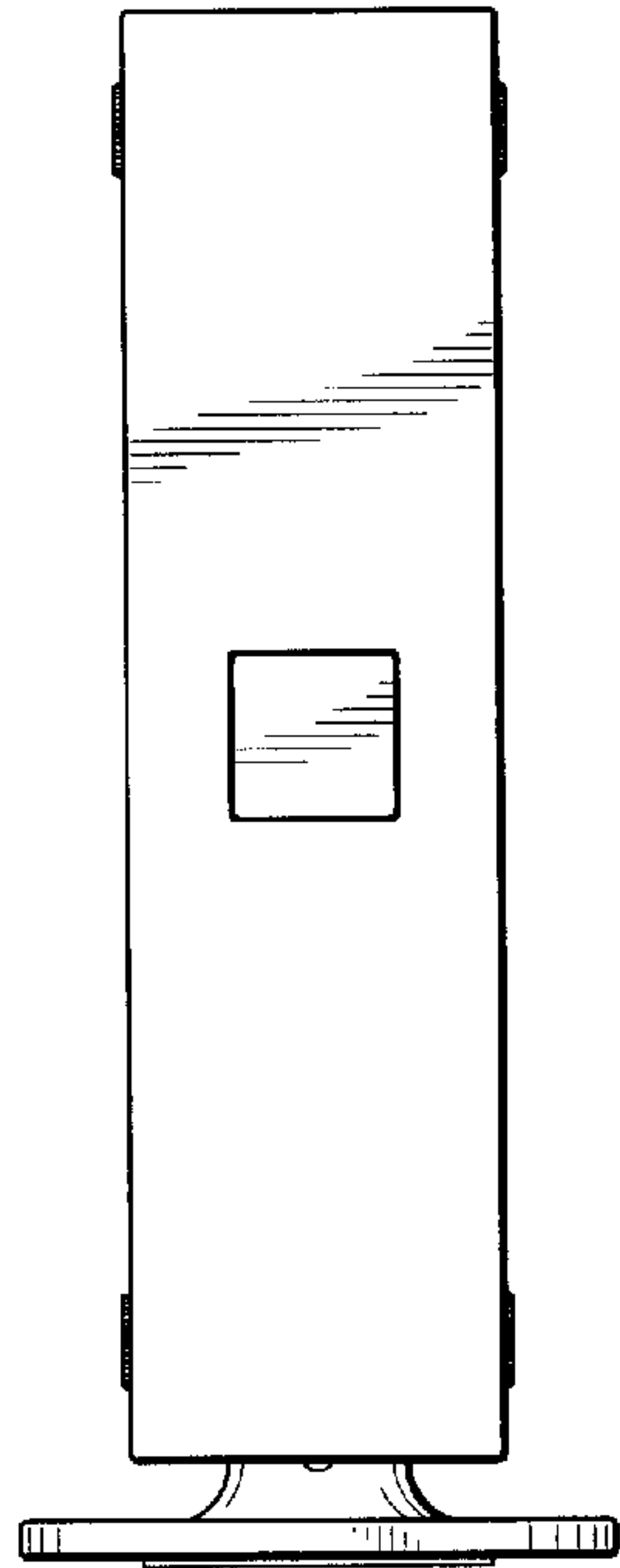


FIG. 4

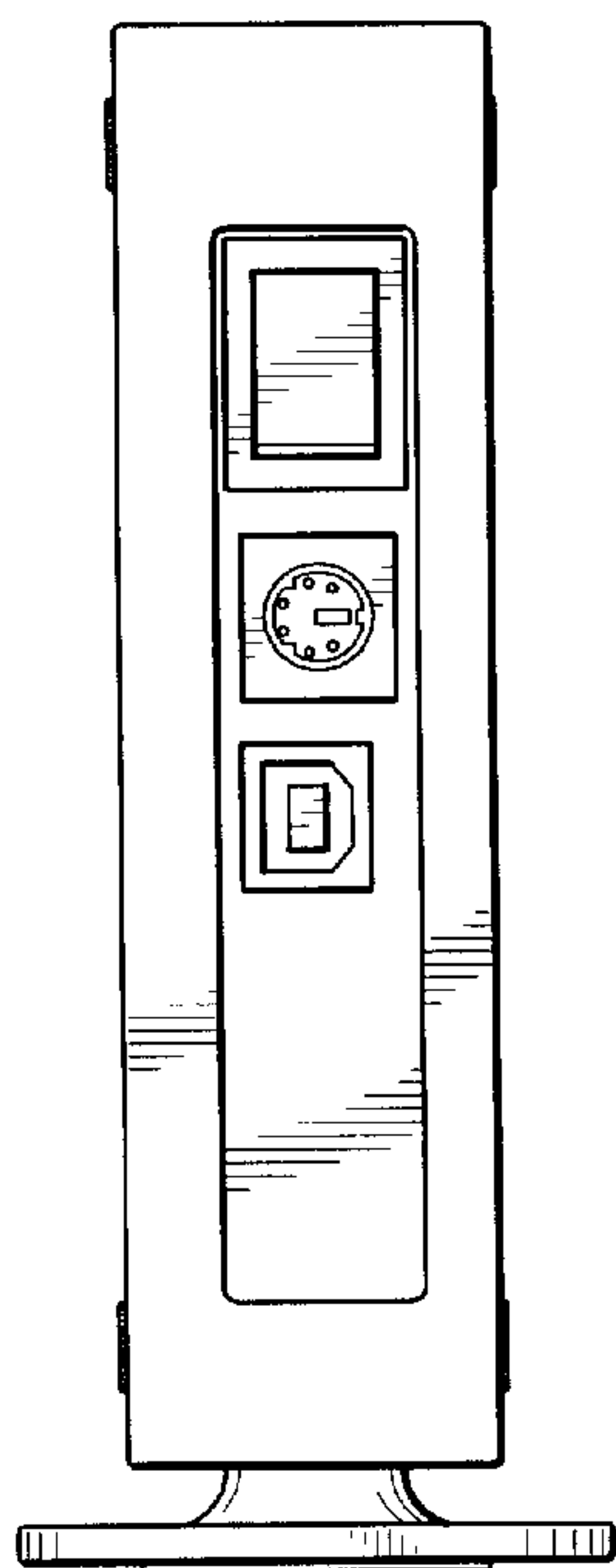


FIG. 5

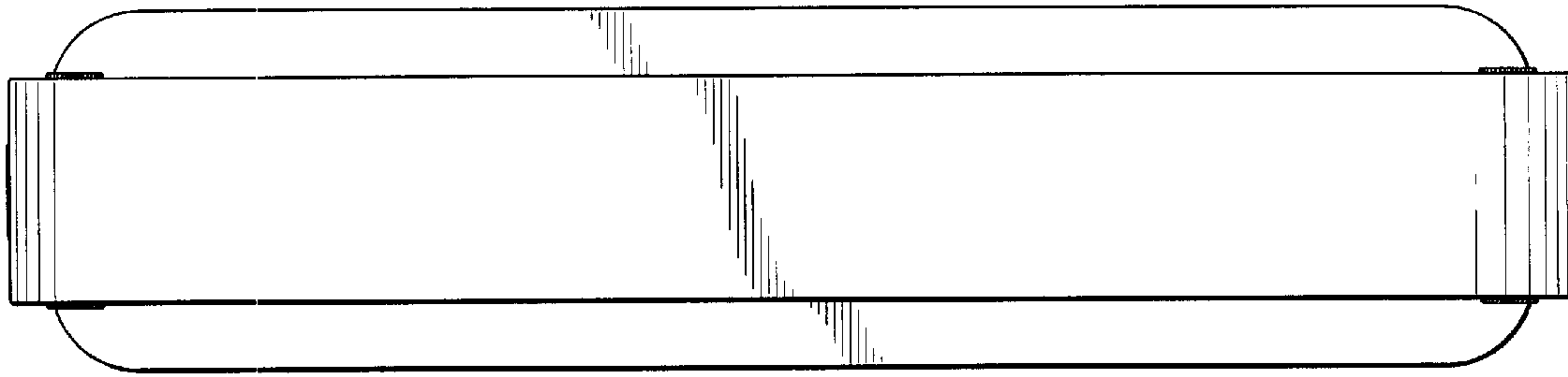


FIG. 6

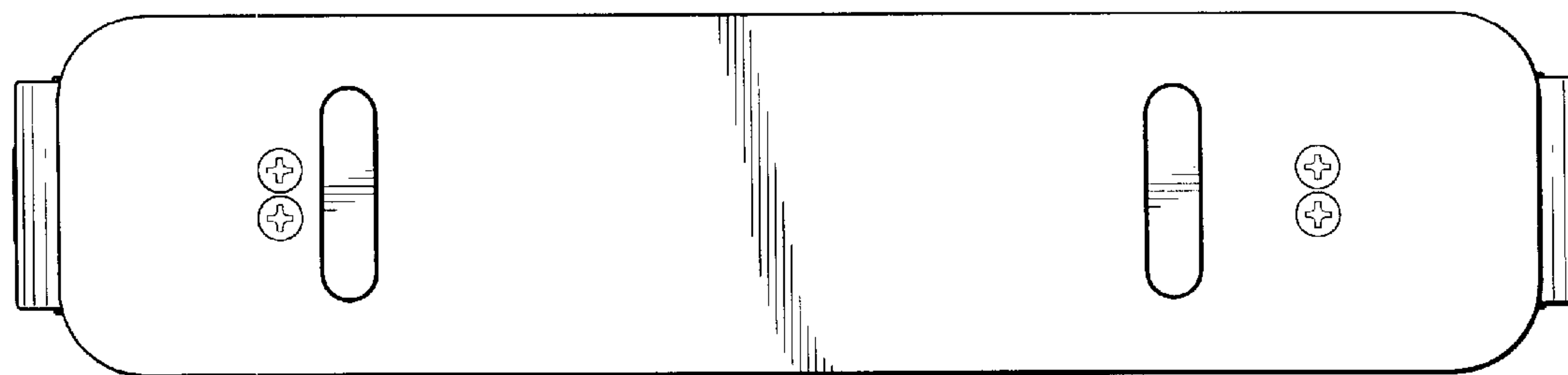


FIG. 7