

US00D541273S

(12) **United States Design Patent**
Wang

(10) **Patent No.:** **US D541,273 S**

(45) **Date of Patent:** **** Apr. 24, 2007**

(54) **CASE FOR EXTERNAL DATA STORAGE MEDIA**

(75) Inventor: **Chia-Jen Wang**, Taipei Hsien (TW)

(73) Assignee: **Datastor Technology Co., Ltd.**, Taipei Hsien (TW)

(**) Term: **14 Years**

(21) Appl. No.: **29/255,440**

(22) Filed: **Mar. 7, 2006**

(30) **Foreign Application Priority Data**

Dec. 5, 2005 (TW) 94307419

(51) **LOC (8) Cl.** **14-02**

(52) **U.S. Cl.** **D14/356**

(58) **Field of Classification Search** D14/242,
D14/496, 125, 240, 135-6, 167, 300-2, 314,
D14/341, 356-8, 362-70, 383, 385, 348,
D14/353, 156; D13/103; 220/4.02; 361/679,
361/683-6; 379/413.04

See application file for complete search history.

(56) **References Cited**

U.S. PATENT DOCUMENTS

- D271,202 S * 11/1983 Endt D14/368
- D364,884 S * 12/1995 Shindo D16/202
- D431,557 S * 10/2000 Lutz et al. D14/242
- D476,977 S * 7/2003 Gao et al. D14/240
- D477,609 S * 7/2003 Heath et al. D14/496
- D487,449 S * 3/2004 Ota D14/168

- D487,460 S * 3/2004 Lee D14/368
- D499,096 S * 11/2004 Deng D14/353
- D511,159 S * 11/2005 Su et al. D14/300
- D514,103 S * 1/2006 Huang et al. D14/363
- D520,001 S * 5/2006 Katayama D14/358
- D526,648 S * 8/2006 Andre et al. D14/314
- D530,325 S * 10/2006 Kerila et al. D14/356

OTHER PUBLICATIONS

Internet: http://datastor.manufacturer.globalsources.com/si/6008800307...Compact-Case-for/product_id-1002430329/action-GetProduct.htm, Nov. 14, 2006.*

* cited by examiner

Primary Examiner—Robin Webster

Assistant Examiner—Karen E. Patterson

(74) *Attorney, Agent, or Firm*—Ladas & Parry LLP

(57) **CLAIM**

The ornamental design for case for external data storage media, as shown and described.

DESCRIPTION

FIG. 1 is a perspective view of case for external data storage media showing my new design;

FIG. 2 is a front elevational view thereof;

FIG. 3 is a rear elevational view thereof;

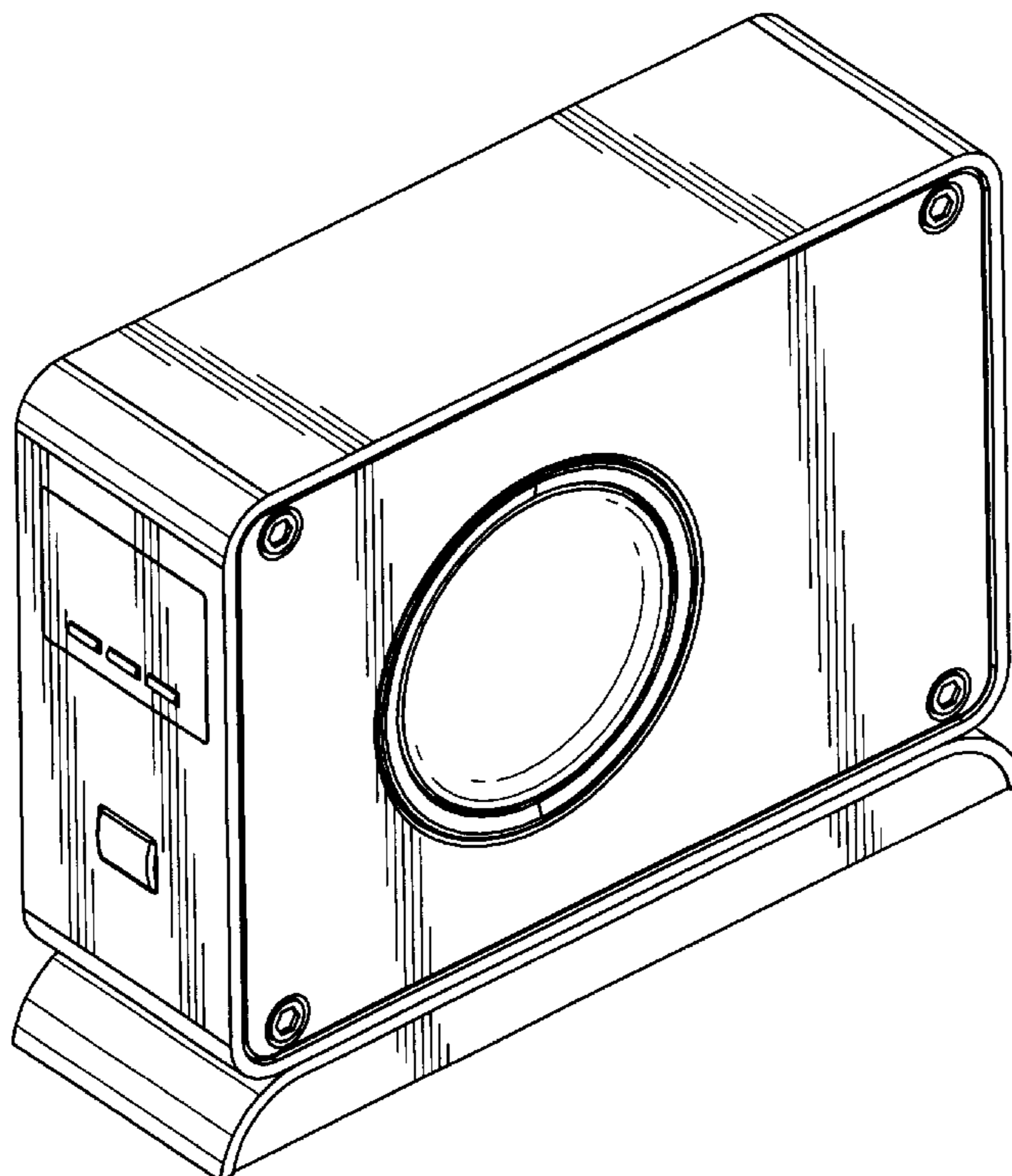
FIG. 4 is a left side elevational view thereof;

FIG. 5 is a right side elevational view thereof;

FIG. 6 is a top plan view thereof; and,

FIG. 7 is a bottom plan view thereof.

1 Claim, 3 Drawing Sheets



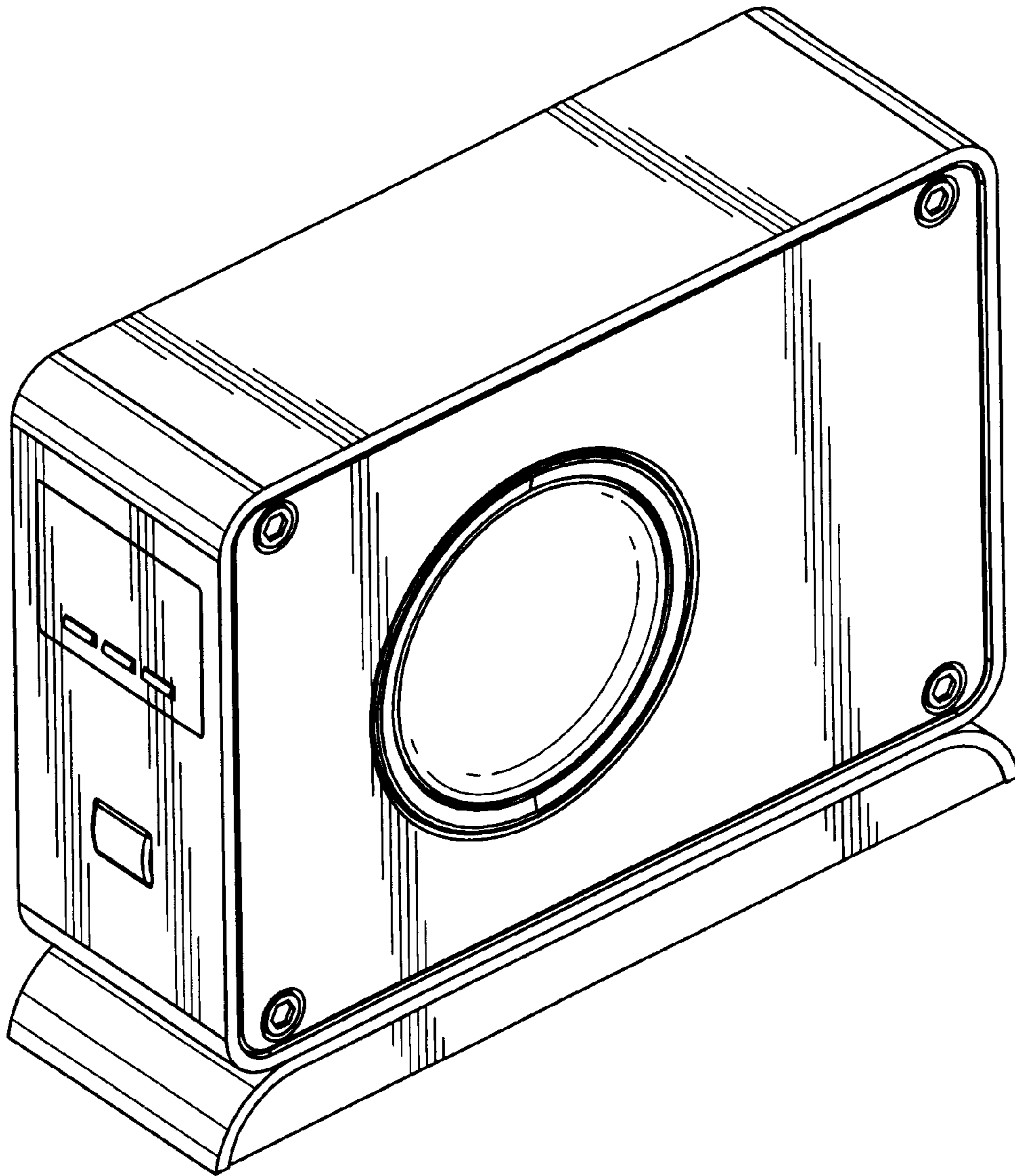


FIG. 1

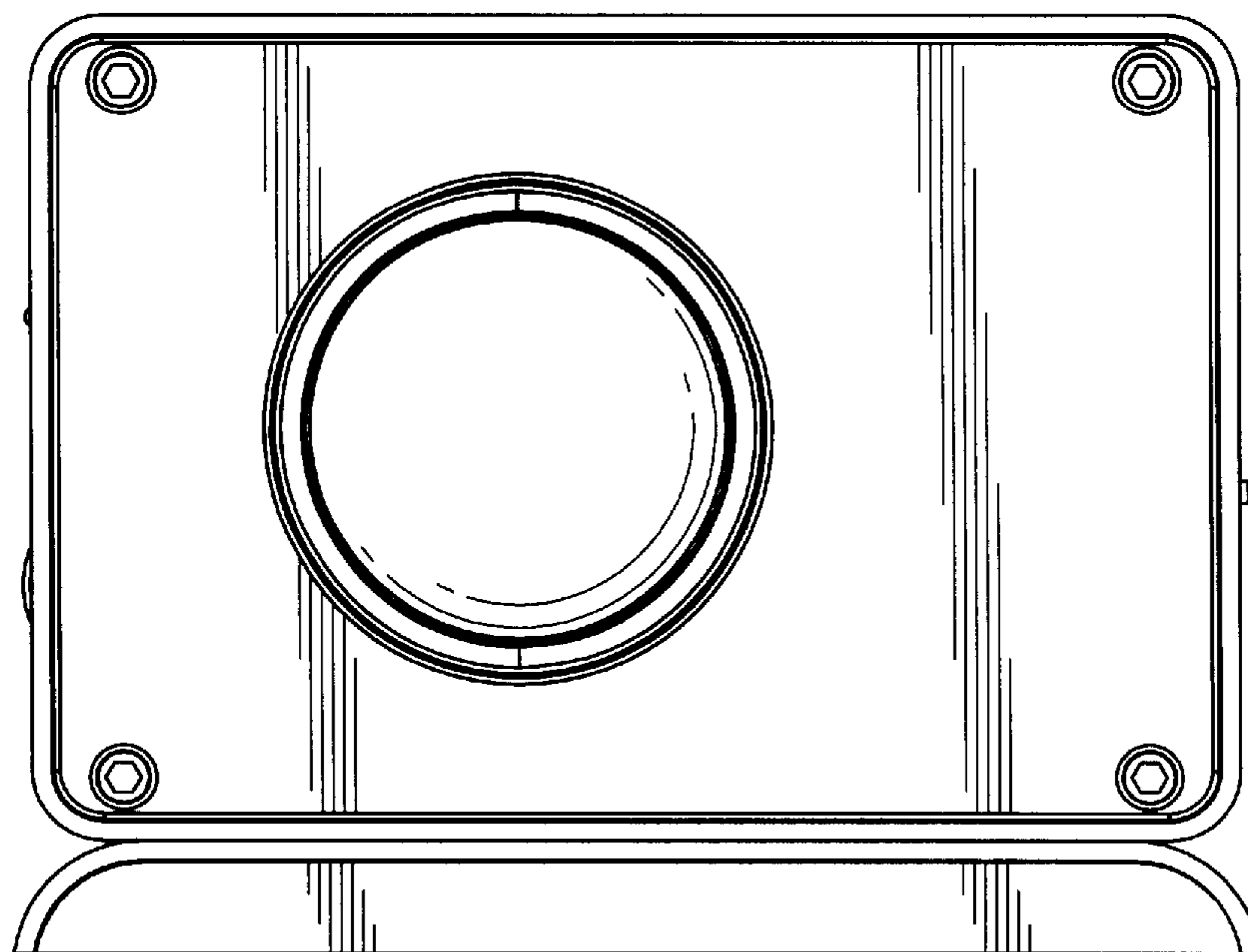


FIG. 2

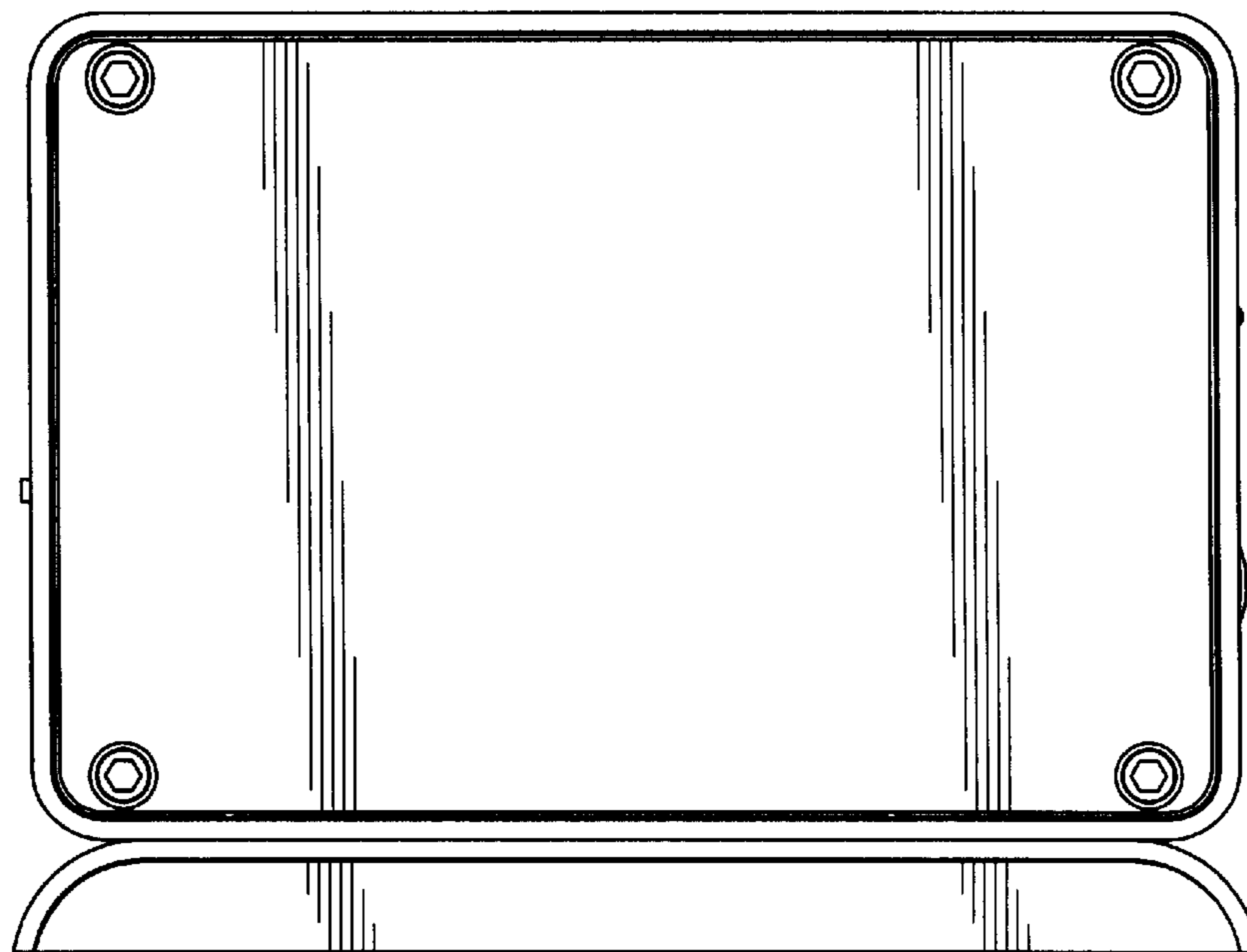


FIG. 3

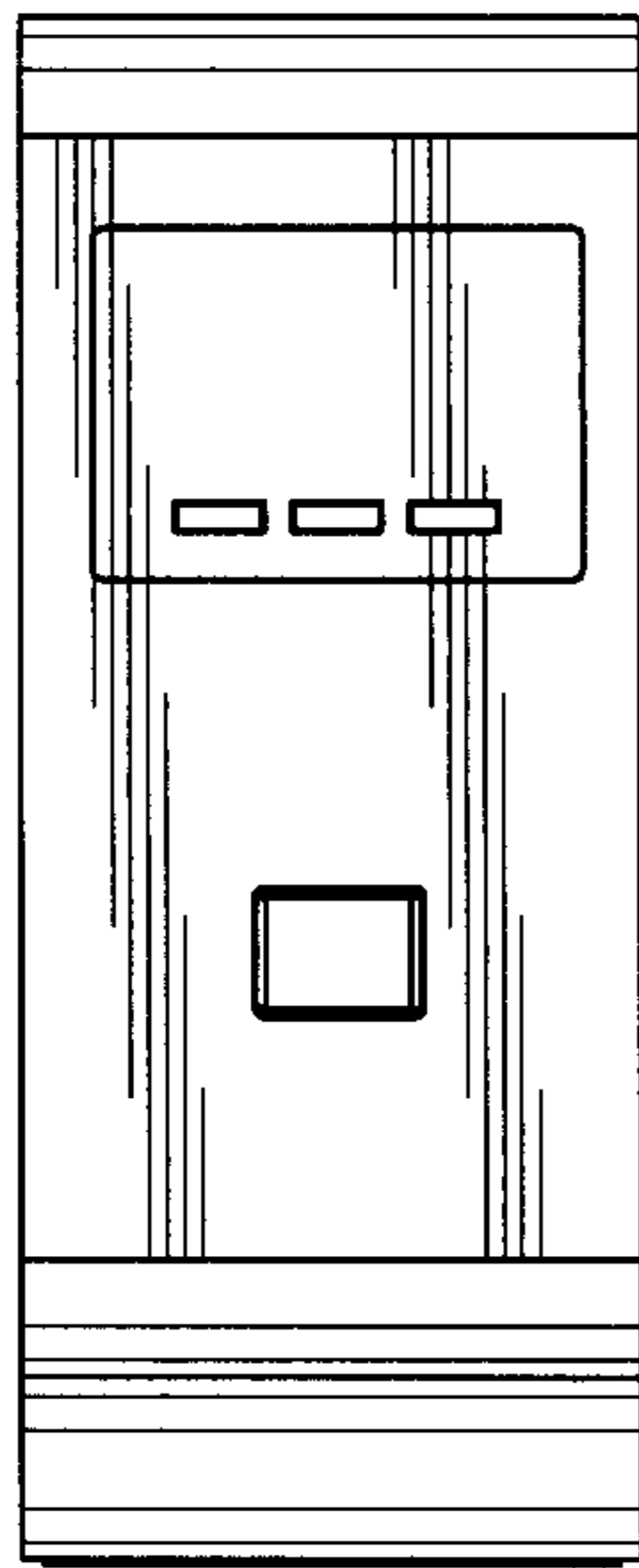


FIG. 4

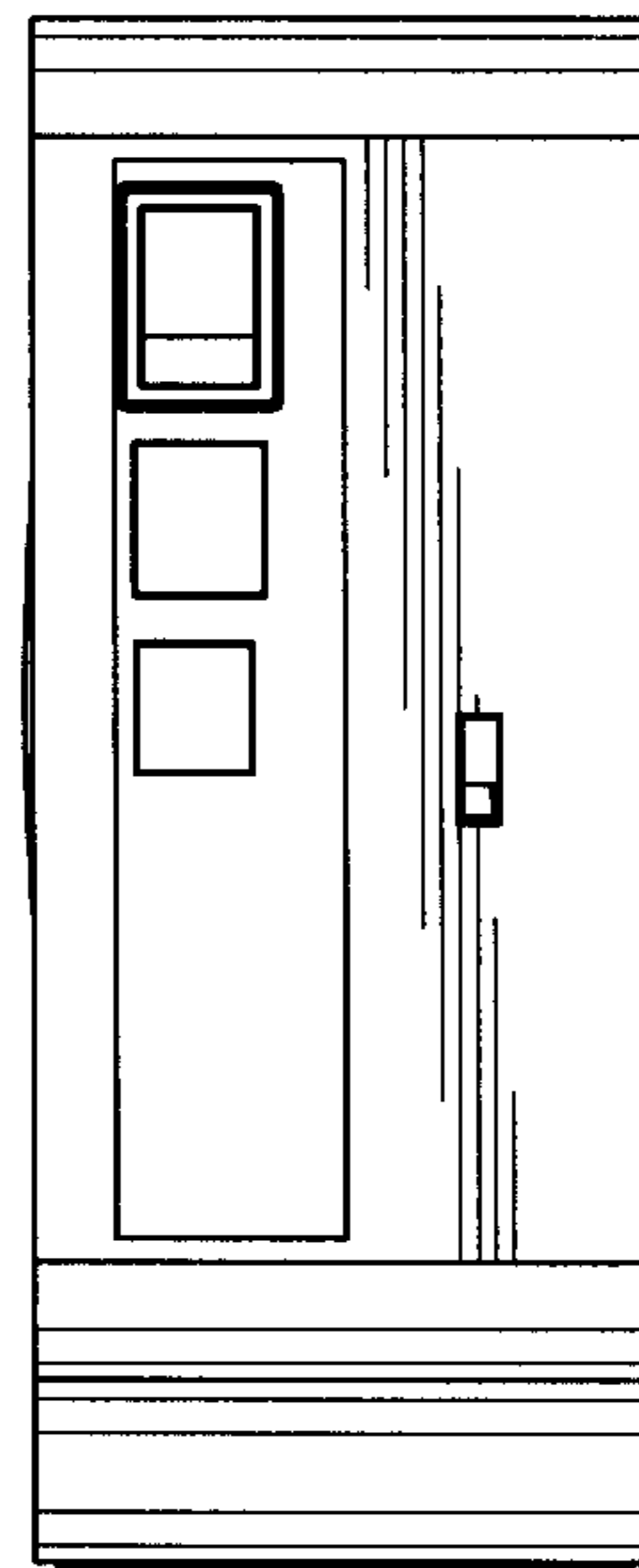


FIG. 5

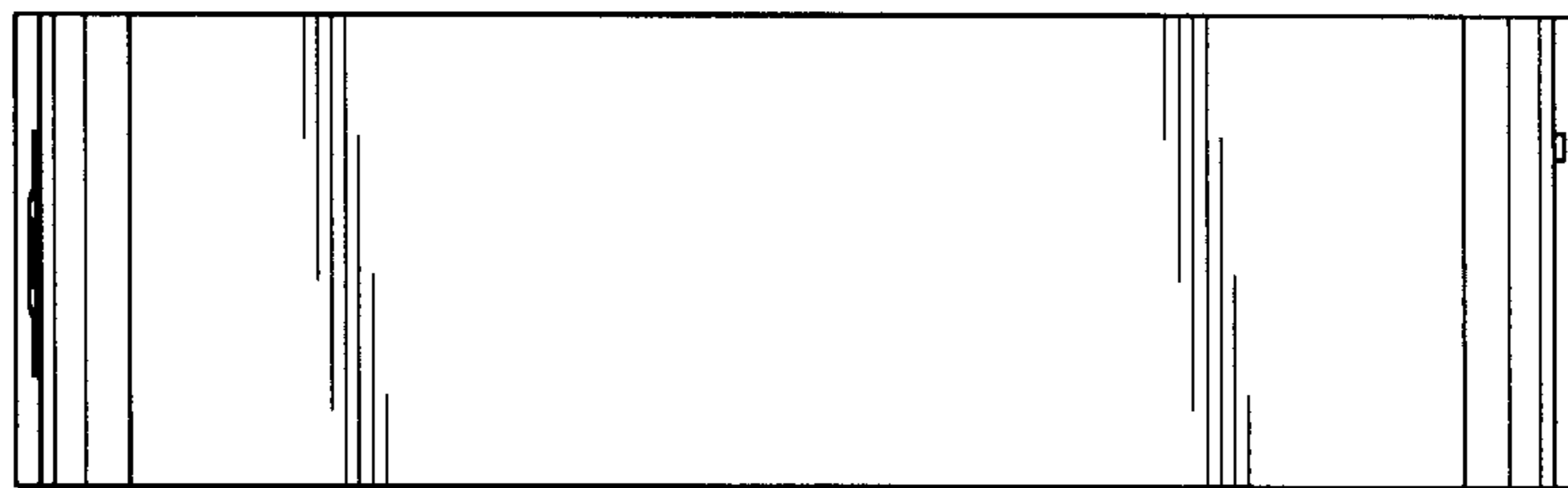


FIG. 6

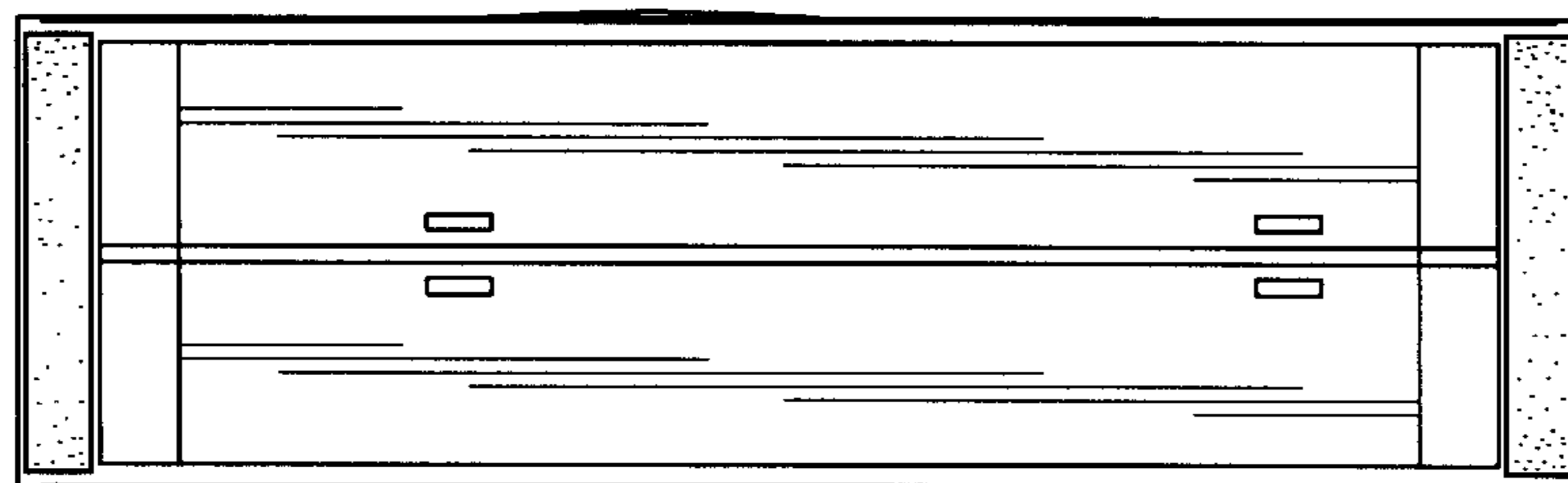


FIG. 7