



US00D541272S

(12) **United States Design Patent**
Wang

(10) **Patent No.:** **US D541,272 S**

(45) **Date of Patent:** **** Apr. 24, 2007**

(54) **CASE FOR EXTERNAL DATA STORAGE MEDIA**

(75) Inventor: **Chia-Jen Wang**, Taipei Hsien (TW)

(73) Assignee: **Datastor Technology Co., Ltd.**, Taipei Hsien (TW)

(**) Term: **14 Years**

(21) Appl. No.: **29/254,496**

(22) Filed: **Feb. 23, 2006**

(30) **Foreign Application Priority Data**

Aug. 25, 2005 (TW) 94305125

(51) **LOC (8) Cl.** **14-02**

(52) **U.S. Cl.** **D14/356**

(58) **Field of Classification Search** D14/242,
D14/496, 125, 240, 135-6, 167, 300-2, 314,
D14/341, 356-8, 362-70, 383, 385, 348,
D14/353, 156; D13/103; 220/4.02; 361/679,
361/683-6; 379/413.04

See application file for complete search history.

(56) **References Cited**

U.S. PATENT DOCUMENTS

D346,159 S	*	4/1994	Matsuda et al.	D14/314
D363,064 S	*	10/1995	Rogov	D14/433
D380,199 S	*	6/1997	Beruscha et al.	D13/184
D380,728 S	*	7/1997	Richards et al.	D13/103
D392,939 S	*	3/1998	Finke-Anlauff	D13/103
D401,916 S	*	12/1998	Butts et al.	D14/385

D407,063 S	*	3/1999	Reis. et al.	D13/103
6,102,721 A	*	8/2000	Seto et al.	439/160
D470,506 S	*	2/2003	Sadatsuki	D14/496
D504,442 S	*	4/2005	Kim	D14/496
D514,590 S	*	2/2006	Naruki	D14/496
2002/0080577 A1	*	6/2002	Babcock et al.	361/687
2004/0246663 A1	*	12/2004	Nuovo et al.	361/679

OTHER PUBLICATIONS

Internet: http://datastor.manufacture.globalsources.com/si/6008800307...Compact-Case-for/product_id-1001596989/action-GetProduct.htm, Nov. 14, 2006.*

* cited by examiner

Primary Examiner—Robin Webster

Assistant Examiner—Karen E. Patterson

(74) *Attorney, Agent, or Firm*—Ladas & Parry LLP

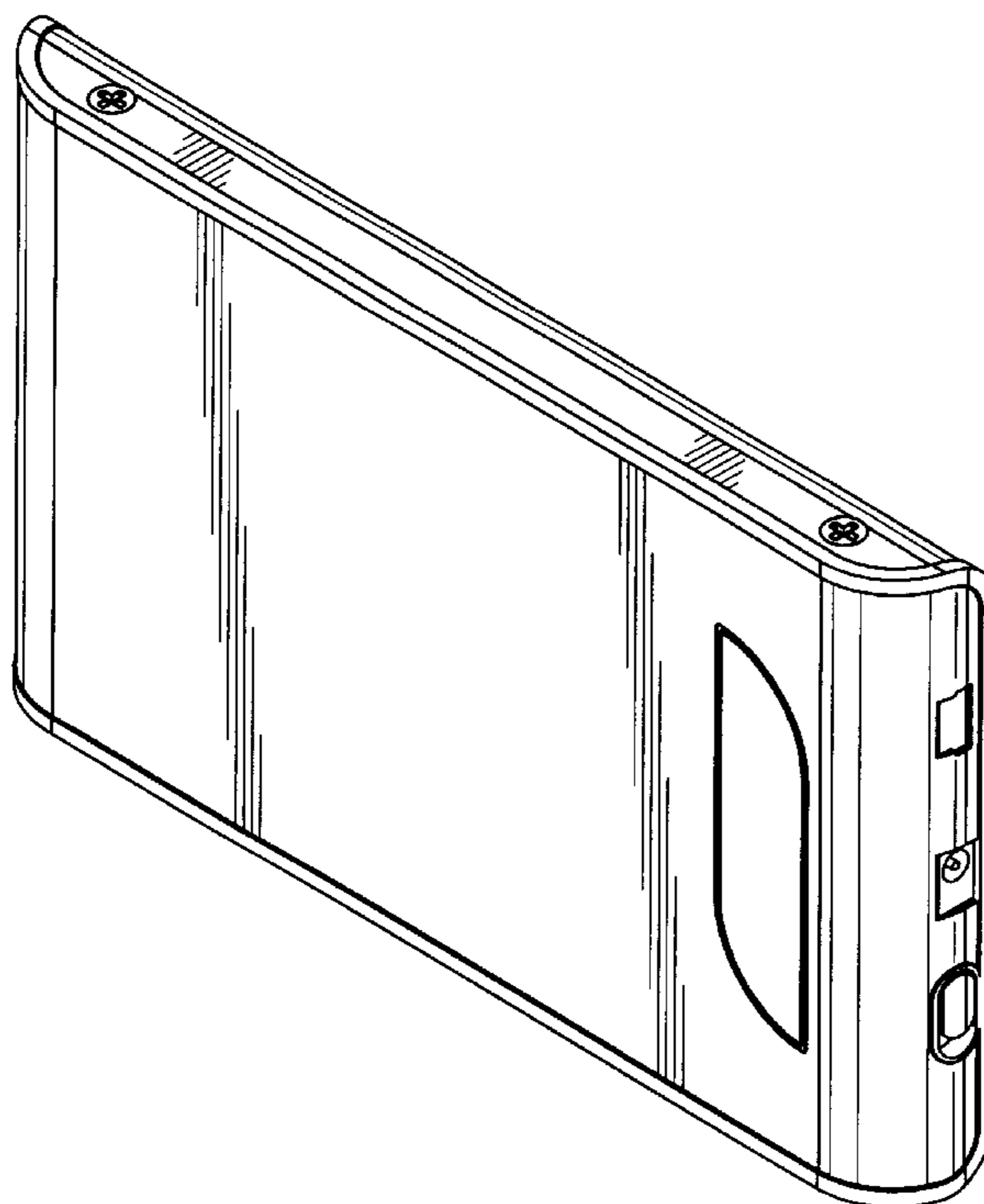
(57) **CLAIM**

The ornamental design for case for external data storage media, as shown and described.

DESCRIPTION

FIG. 1 is a perspective view of case for external data storage media showing my new design;
FIG. 2 is a front elevational view thereof;
FIG. 3 is a rear elevational view thereof;
FIG. 4 is a left side elevational view thereof;
FIG. 5 is a right side elevational view thereof;
FIG. 6 is a top plan view thereof; and,
FIG. 7 is a bottom plan view thereof.

1 Claim, 3 Drawing Sheets



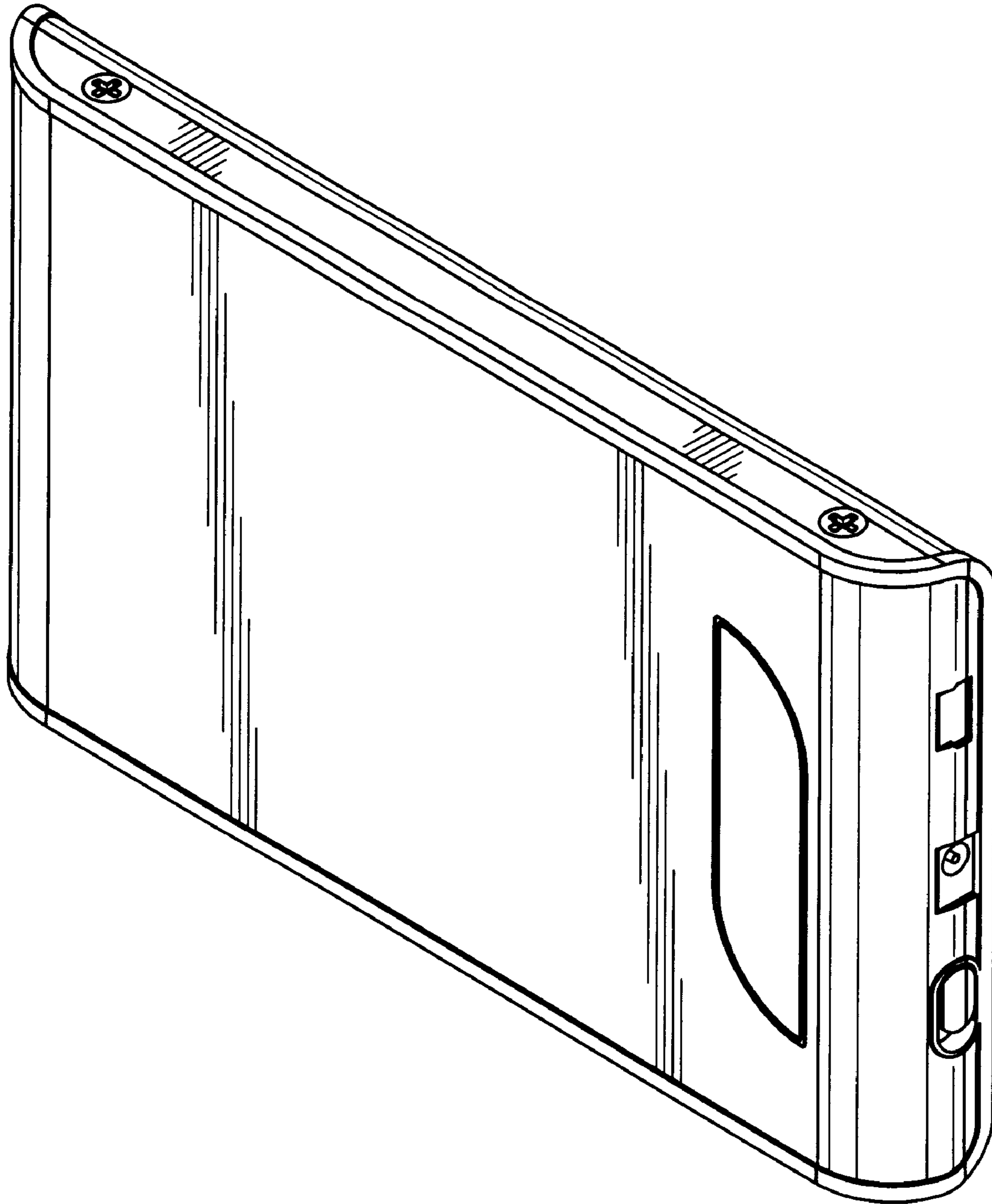


FIG. 1

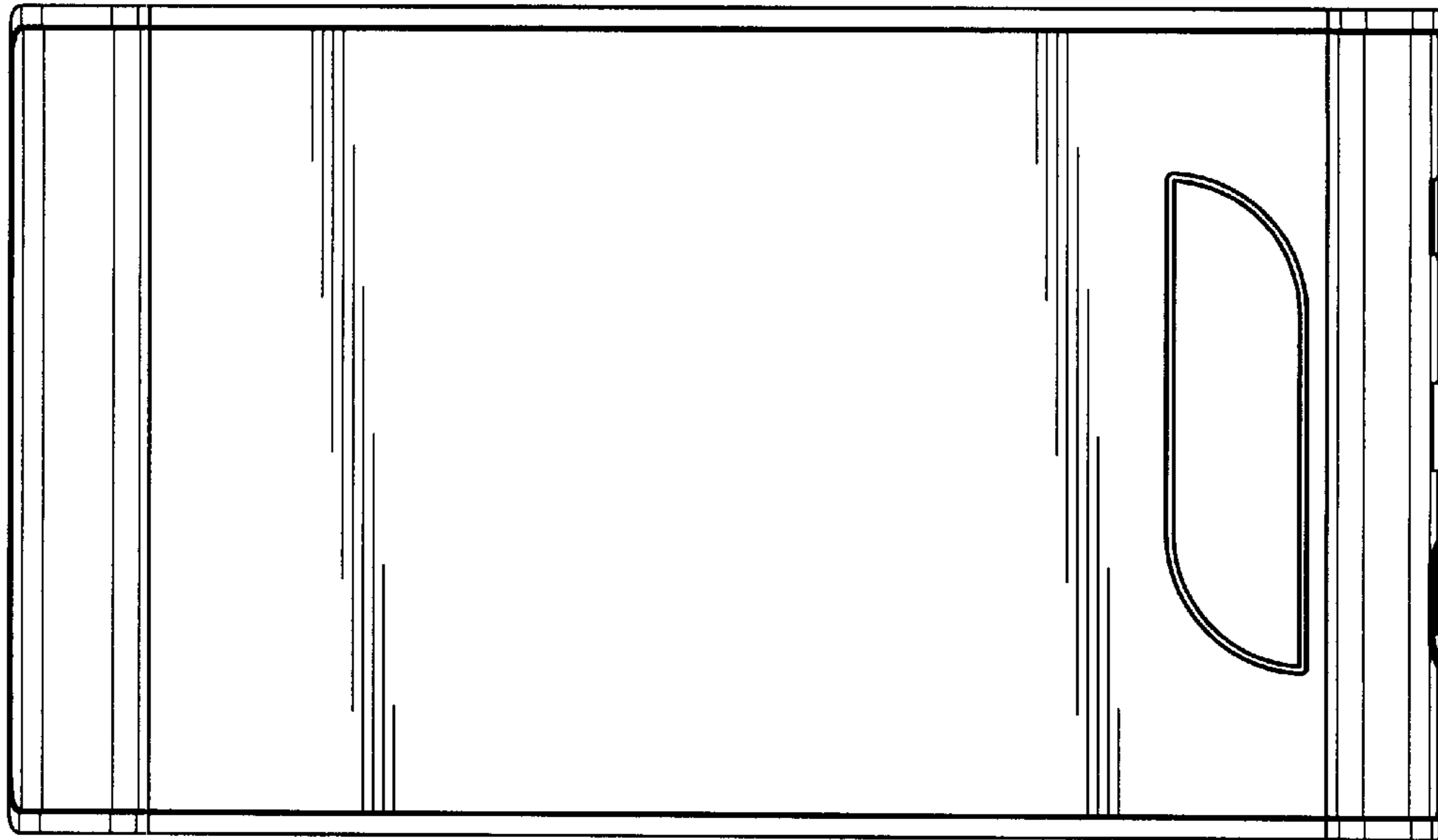


FIG. 2

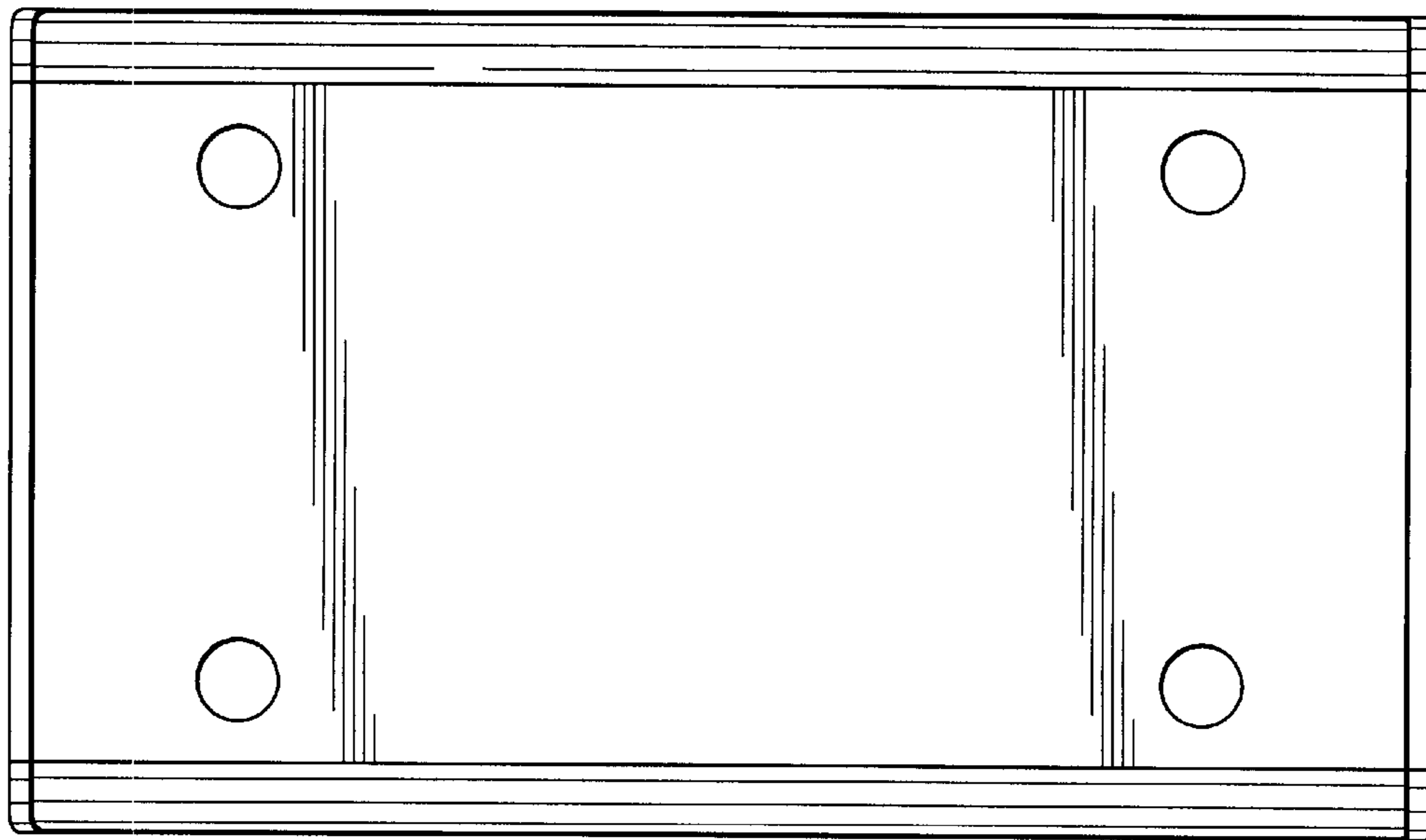


FIG. 3

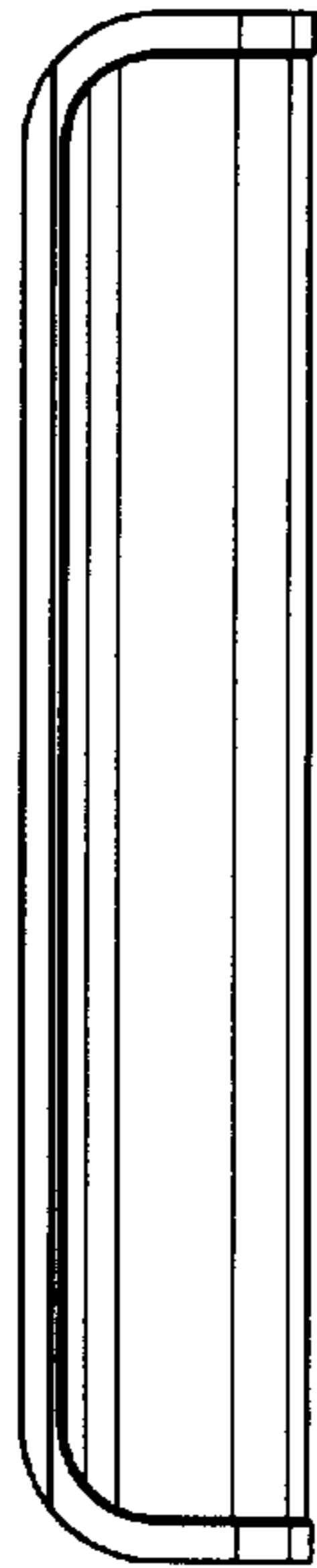


FIG. 4

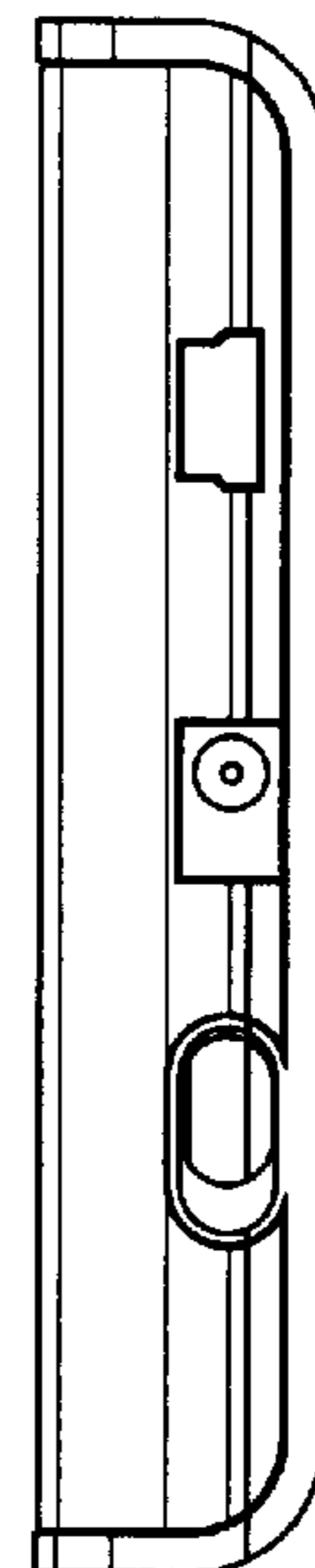


FIG. 5

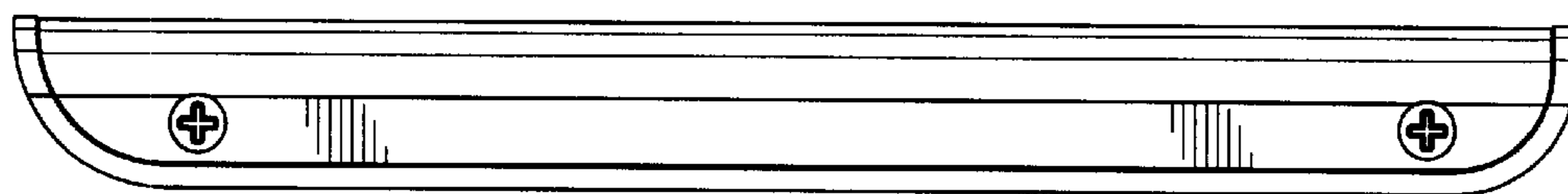


FIG. 6

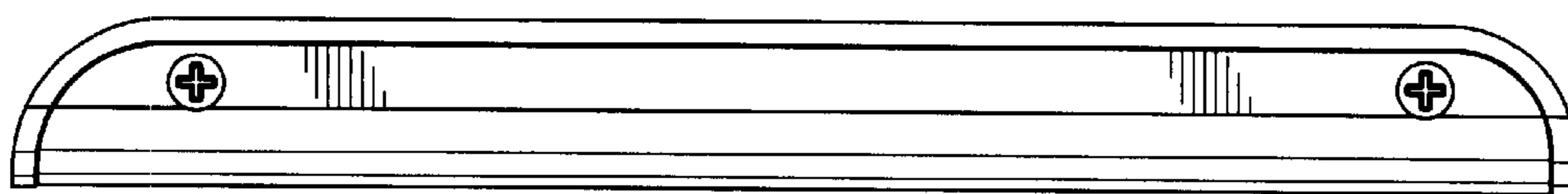


FIG. 7